



US00D756818S

(12) **United States Design Patent**
Hashimoto et al.

(10) **Patent No.:** **US D756,818 S**
(45) **Date of Patent:** **** May 24, 2016**

(54) **PROBE FOR PHOTOACOUSTIC MEASUREMENT DEVICE**

(71) Applicant: **FUJIFILM Corporation**, Tokyo (JP)
(72) Inventors: **Atsushi Hashimoto**, Kanagawa-ken (JP); **Kaku Irisawa**, Kanagawa-ken (JP)
(73) Assignee: **FUJIFILM CORPORATION**, Tokyo (JP)

(**) Term: **14 Years**
(21) Appl. No.: **29/513,919**
(22) Filed: **Jan. 6, 2015**

(30) **Foreign Application Priority Data**

Jul. 10, 2014 (JP) 2014-015081
Jul. 10, 2014 (JP) 2014-015082
Jul. 10, 2014 (JP) 2014-015083
Jul. 10, 2014 (JP) 2014-015084
Jul. 10, 2014 (JP) 2014-015085

(51) **LOC (10) Cl.** **10-04**

(52) **U.S. Cl.**
USPC **D10/78; D24/187**

(58) **Field of Classification Search**
USPC D10/78, 80; D13/133, 146, 147; D24/133, 138, 140, 158, 186, 187
CPC .. A61B 5/0059; A61B 5/0093; A61B 5/0095; A61B 5/0097; A61B 8/44; A61B 8/4444; A61B 8/445; A61B 8/4455; A61B 8/4461; A61B 8/4466; A61B 8/4472; G01N 2201/067; G01N 21/1702
See application file for complete search history.

(56) **References Cited**

U.S. PATENT DOCUMENTS

D381,921 S * 8/1997 Siemon D10/78
D703,819 S * 4/2014 Moon D24/187
D704,341 S * 5/2014 Ryu D24/187
D710,511 S * 8/2014 Bartlett D24/187
2011/0125025 A1 * 5/2011 Hart A61B 8/00 600/459
2011/0224553 A1 * 9/2011 Stothers A61B 5/0075 600/473

2013/0258803 A1 * 10/2013 Nakamura B06B 1/0622 367/7
2014/0058270 A1 * 2/2014 Davidsen A61B 8/546 600/472
2014/0200445 A1 * 7/2014 Boezaart A61M 5/158 600/424
2014/0221841 A1 * 8/2014 Okuda A61B 8/4444 600/459
2015/0045673 A1 * 2/2015 Kim A61B 8/4438 600/459
2015/0157295 A1 * 6/2015 Liu A61B 8/465 600/440
2015/0245823 A1 * 9/2015 Jin A61B 8/4472 600/443
2015/0297090 A1 * 10/2015 Herzog A61B 5/0095 600/437

FOREIGN PATENT DOCUMENTS

JP 2013-048892 A 3/2013
JP 2014-039801 A 3/2014
JP 2014-068751 A 4/2014
WO WO 2014/017044 A1 1/2014
WO WO 2014/050436 A1 4/2014

* cited by examiner

Primary Examiner — Antoine D Davis

(74) *Attorney, Agent, or Firm* — McGinn IP Law Group, PLLC

(57) **CLAIM**

The ornamental design for a probe for photoacoustic measurement device, as shown and described.

DESCRIPTION

FIG. 1 is a top, front, right perspective view of a probe for photoacoustic measurement device showing our new design; FIG. 2 is a front view thereof; FIG. 3 is a rear view thereof; FIG. 4 is a right side view thereof; FIG. 5 is a top view thereof; and, FIG. 6 is a cross-sectional view thereof taken along the line A-A of FIG.5.

The broken lines showing the remainder of the probe for photoacoustic measurement device are for environmental purposes only and form no part of the claimed design.

1 Claim, 2 Drawing Sheets

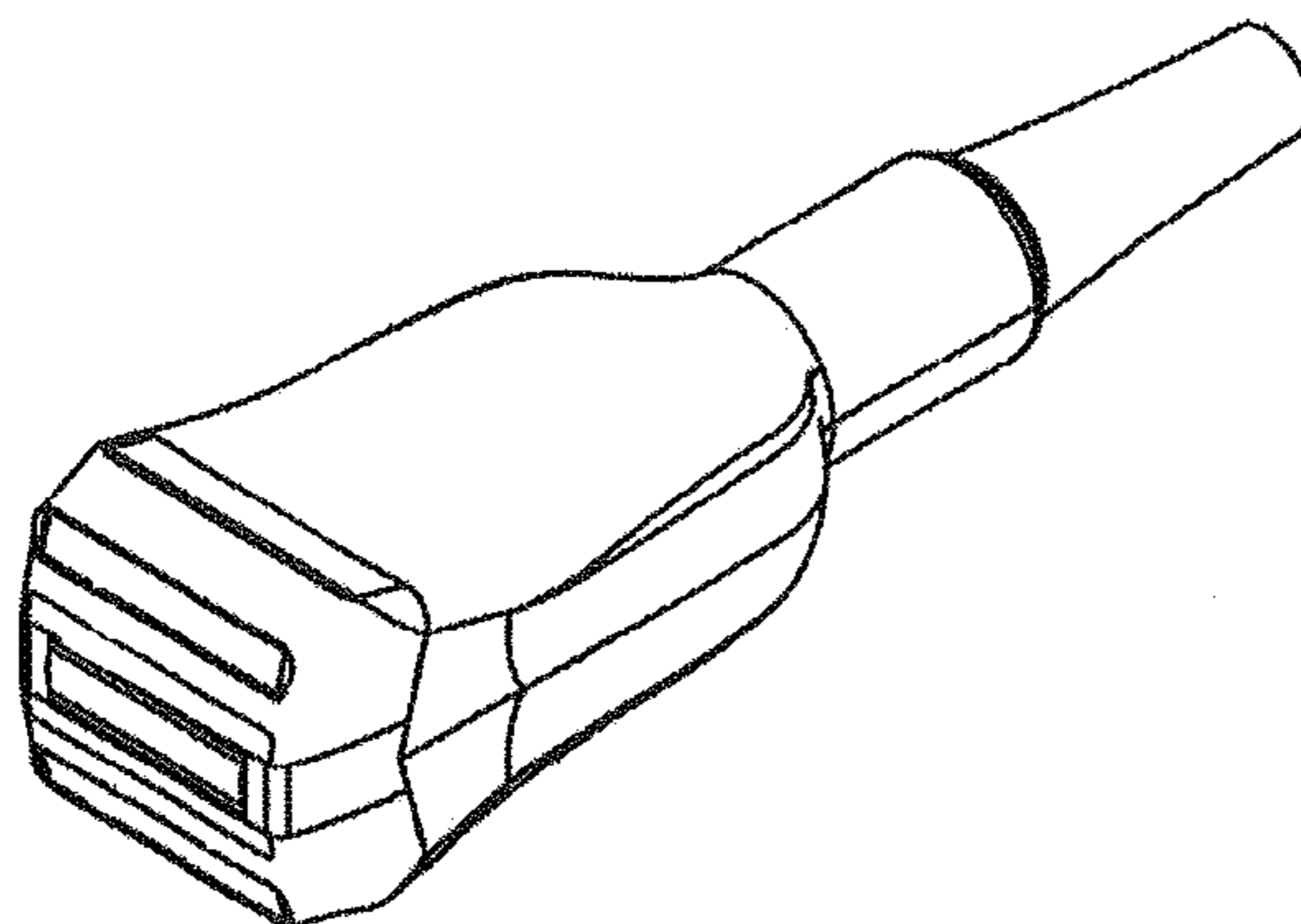


FIG.1

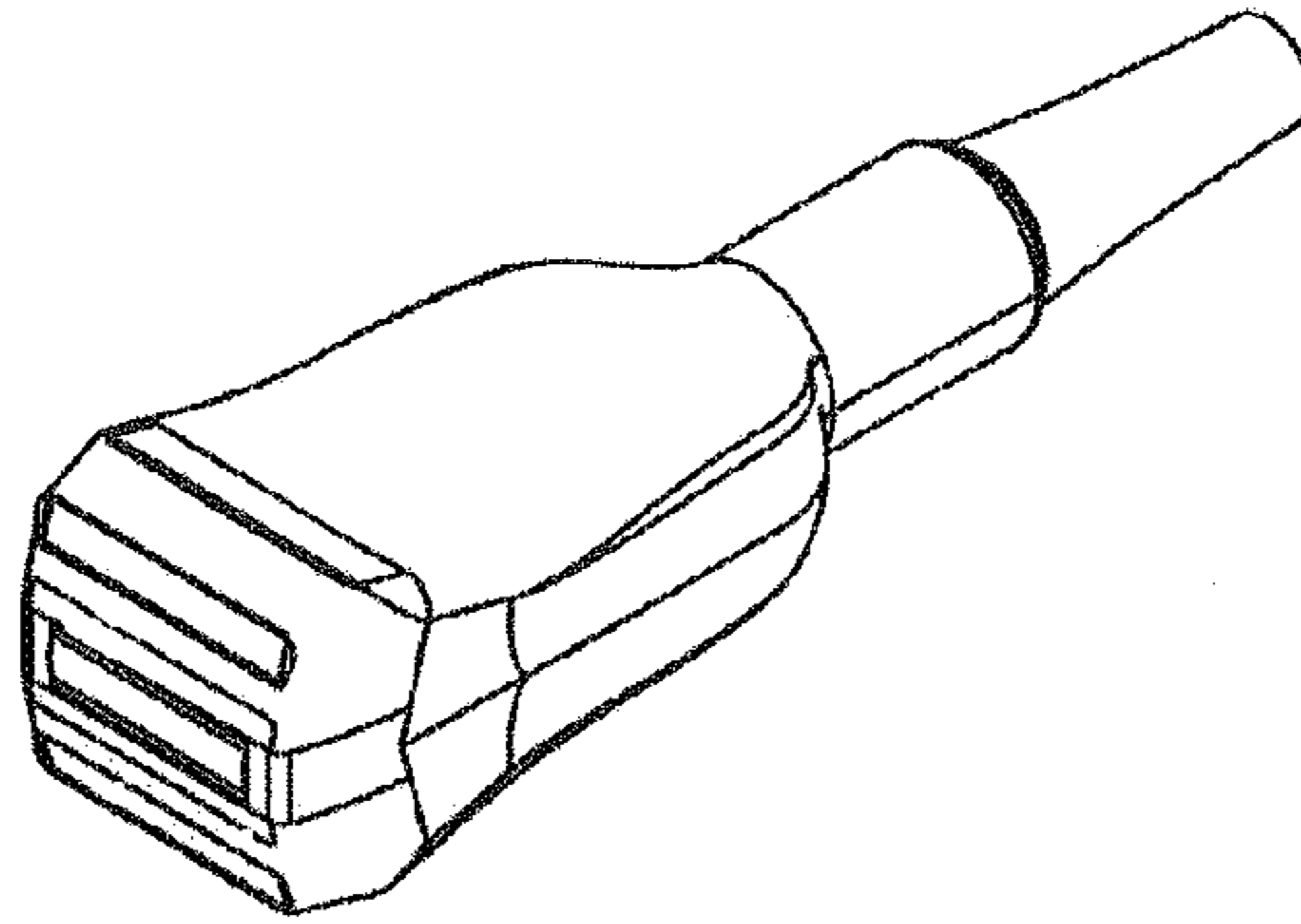


FIG.2

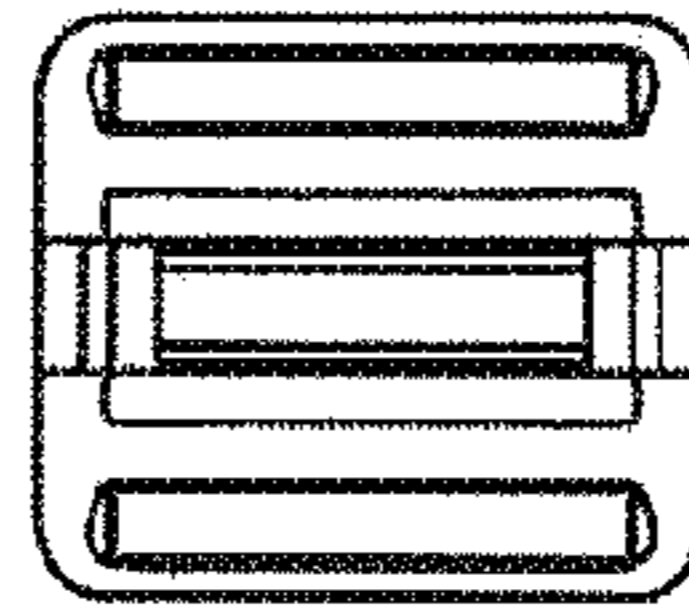


FIG.3

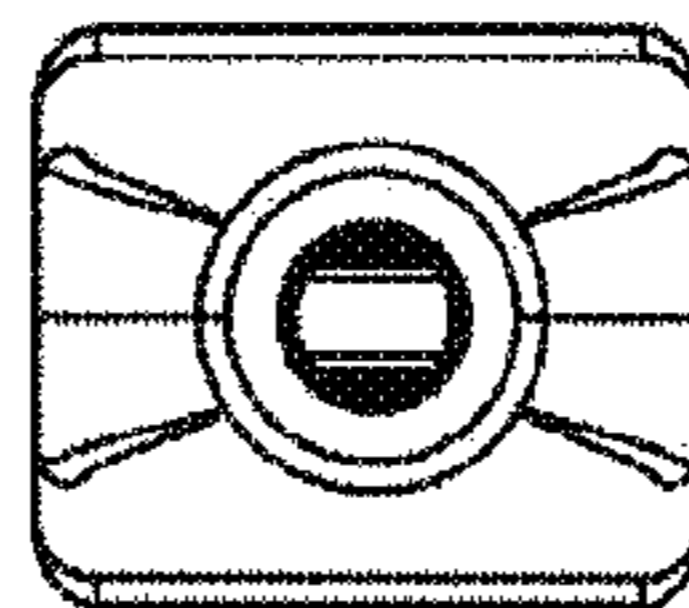


FIG.4

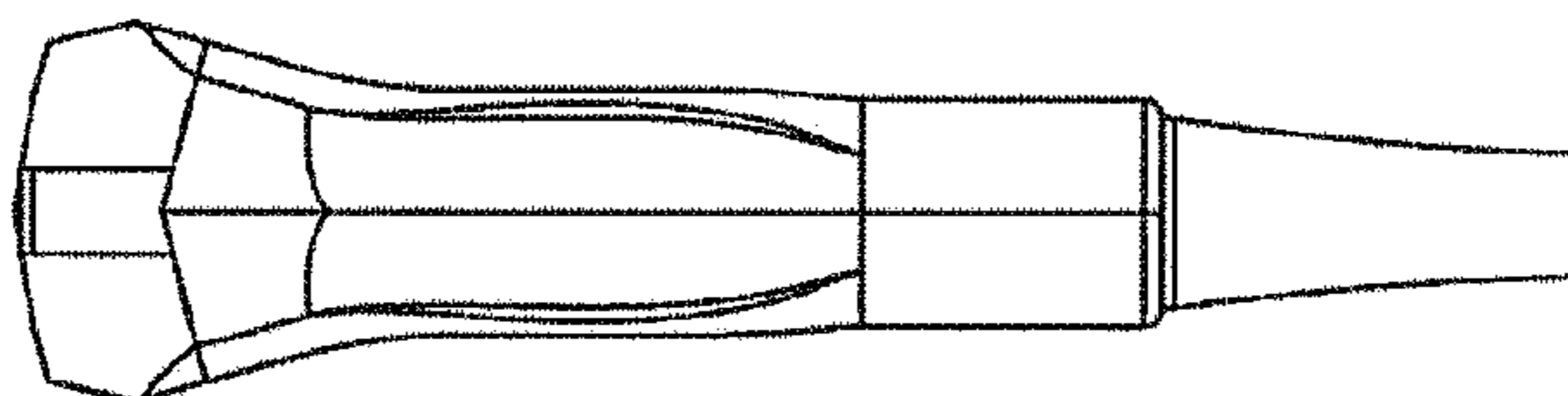


FIG.5

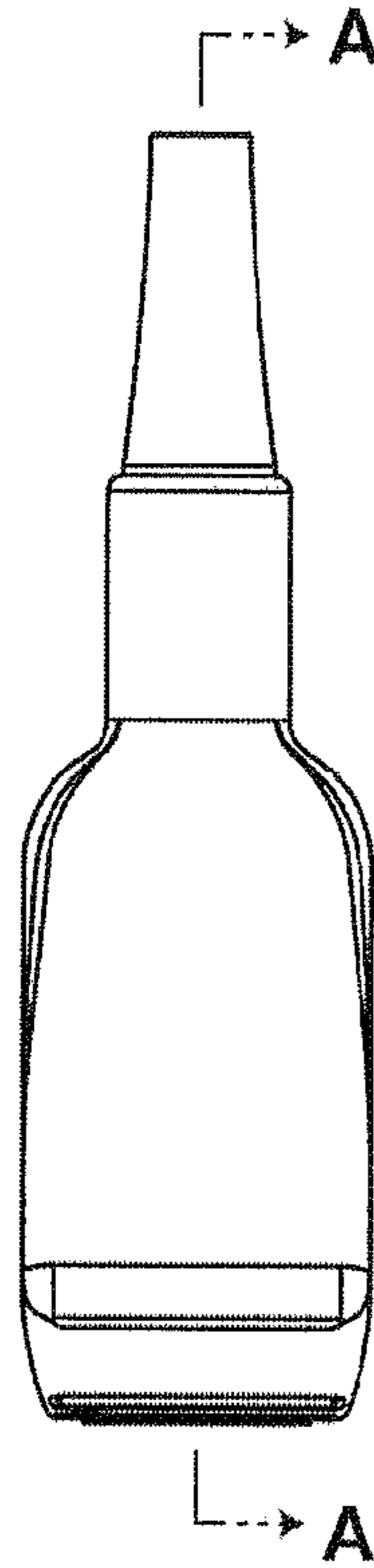


FIG.6

