



US00D756817S

(12) **United States Design Patent**  
**Fries et al.**

(10) **Patent No.:** **US D756,817 S**

(45) **Date of Patent:** **\*\* May 24, 2016**

(54) **MODULE CONNECTABLE TO A SENSOR**

*Primary Examiner* — Antoine D Davis

(71) Applicant: **Covidien LP**, Mansfield, MA (US)

(74) *Attorney, Agent, or Firm* — Fletcher Yoder PC

(72) Inventors: **Timothy W. Fries**, Louisville, CO (US);  
**Kristine M. Cohrs**, Westminster, CO (US);  
**Ryan M. Miller**, Broomfield, CO (US)

(57) **CLAIM**

We claim the ornamental design for a module connectable to a sensor, as shown and described.

(73) Assignee: **COVIDIEN LP**, Mansfield, MA (US)

(\*\*) Term: **14 Years**

**DESCRIPTION**

(21) Appl. No.: **29/513,896**

(22) Filed: **Jan. 6, 2015**

(51) **LOC (10) Cl.** ..... **10-04**

(52) **U.S. Cl.**  
USPC ..... **D10/78**; D13/133; D14/433; D24/186

(58) **Field of Classification Search**  
USPC ..... D10/78; D13/133; D14/433; D24/186  
CPC ..... G01N 27/407; G01N 27/4062; G01N 27/4075; G01N 27/4078; G01N 27/404; G01N 27/4045; G01N 27/406; G01N 27/4065; G01N 27/4067; G01N 27/4071; G01N 27/4072; G01N 27/4073; G01N 27/4074; G01N 27/4076

See application file for complete search history.

FIG. 1 is a perspective view of the module connectable to a sensor of the present invention with a movable hook in the closed position;

FIG. 2 is a perspective view of the module connectable to a sensor of FIG. 1 with the movable hook in an alternate open position;

FIG. 3 is a top view of the module connectable to a sensor of FIG. 1;

FIG. 4 is a bottom view of the module connectable to a sensor of FIG. 1;

FIG. 5 is a right side view of the module connectable to a sensor of FIG. 1;

FIG. 6 is a left side view of the module connectable to a sensor of FIG. 1;

FIG. 7 is a front view of the module connectable to a sensor of FIG. 1;

FIG. 8 is a rear view of the module connectable to a sensor of FIG. 1;

FIG. 9 is a perspective view of the module connectable to a sensor with the movable hook in the closed position;

FIG. 10 is a top view of the module connectable to a sensor of FIG. 9;

FIG. 11 is a bottom view of the module connectable to a sensor of FIG. 9;

FIG. 12 is a right side view of the module connectable to a sensor of FIG. 9; and,

FIG. 13 is a left side view of the module connectable to a sensor of FIG. 9.

Any subject matter shown in broken lines in the drawings constitutes the environment only and forms no part of the protection sought.

(56) **References Cited**

**U.S. PATENT DOCUMENTS**

4,964,408 A 10/1990 Hink et al.  
5,069,213 A 12/1991 Polczynski

(Continued)

**FOREIGN PATENT DOCUMENTS**

EP 1945099 7/2008  
JP 6016774 3/1994

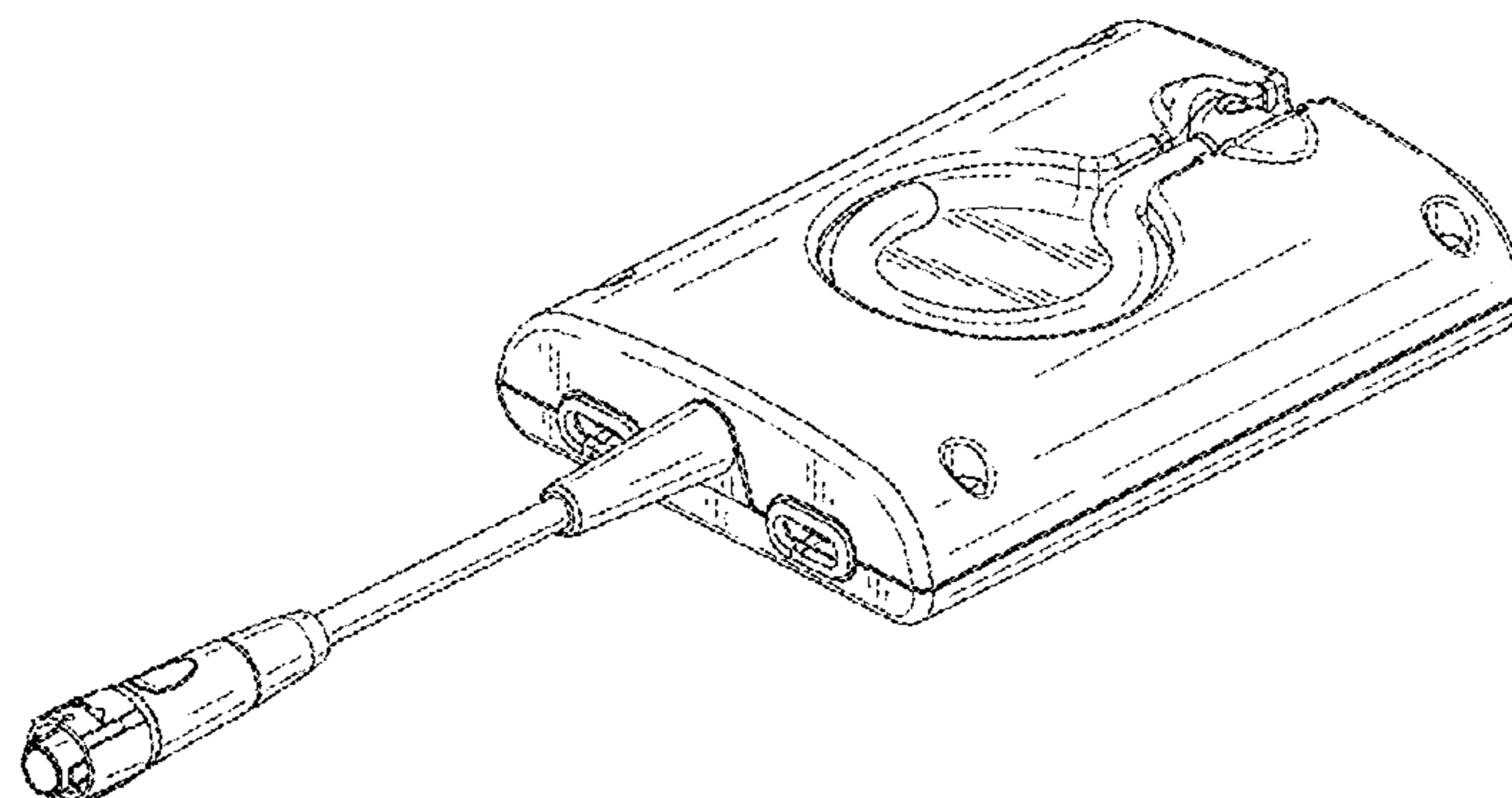
(Continued)

**OTHER PUBLICATIONS**

INVOS Cerebral/Somatic Oximeter, Reflects Site-Specific Tissue Perfusion Noninvasively, 11-PM-0258 mn21410; 883-11-PM-0258BRC\_INVOSNeonatalBrochure-singles-1320864559 (2010).

(Continued)

**1 Claim, 10 Drawing Sheets**



(56)

References Cited

U.S. PATENT DOCUMENTS

5,154,175 A 10/1992 Gunther  
 5,228,440 A 7/1993 Chung et al.  
 5,249,576 A 10/1993 Goldberger et al.  
 5,287,853 A 2/1994 Vester et al.  
 5,343,869 A 9/1994 Pross et al.  
 5,387,122 A 2/1995 Goldberger et al.  
 5,425,362 A 6/1995 Siker et al.  
 D363,350 S \* 10/1995 Baker ..... D24/186  
 5,491,299 A 2/1996 Naylor et al.  
 5,645,440 A 7/1997 Tobler et al.  
 5,660,567 A 8/1997 Nierlich et al.  
 5,743,260 A 4/1998 Chung et al.  
 5,790,729 A 8/1998 Pologe et al.  
 5,851,178 A 12/1998 Aronow  
 5,890,929 A 4/1999 Mills et al.  
 5,934,925 A 8/1999 Tobler et al.  
 5,961,452 A 10/1999 Chung et al.  
 5,997,343 A 12/1999 Mills et al.  
 6,014,576 A 1/2000 Raley  
 6,026,312 A 2/2000 Shemwell et al.  
 6,112,107 A 8/2000 Hannula  
 6,152,754 A 11/2000 Gerhardt et al.  
 6,165,005 A 12/2000 Mills et al.  
 6,253,097 B1 6/2001 Aronow et al.  
 6,280,213 B1 8/2001 Tobler et al.  
 6,370,409 B1 4/2002 Chung et al.  
 6,541,756 B2 4/2003 Schulz et al.  
 6,678,543 B2 1/2004 Diab et al.  
 6,850,788 B2 2/2005 Al-Ali  
 7,117,590 B2 10/2006 Koenig et al.  
 7,132,641 B2 11/2006 Schulz et al.  
 7,210,959 B1 5/2007 Teves  
 7,225,006 B2 5/2007 Al-Ali et al.  
 7,248,910 B2 7/2007 Li et al.  
 7,371,981 B2 5/2008 Abdul-Hafiz  
 7,377,794 B2 5/2008 Al-Ali et al.  
 D574,834 S \* 8/2008 Chen ..... D14/432  
 7,427,165 B2 9/2008 Benaron et al.  
 D615,659 S \* 5/2010 Anderson ..... D24/187

8,267,708 B1 \* 9/2012 Sochor ..... A61N 1/3754  
 439/289  
 D743,398 S \* 11/2015 Smith ..... D14/433  
 D744,109 S \* 11/2015 Yoneta ..... D24/186  
 2002/0103423 A1 8/2002 Chin et al.  
 2003/0135099 A1 7/2003 Al-Ali  
 2003/0162414 A1 8/2003 Schulz et al.  
 2004/0267103 A1 12/2004 Li et al.  
 2005/0113704 A1 5/2005 Lawson et al.  
 2006/0211932 A1 9/2006 Al-Ali et al.  
 2006/0241363 A1 10/2006 Al-Ali et al.  
 2007/0123783 A1 5/2007 Chang  
 2008/0064940 A1 3/2008 Raridan  
 2008/0071153 A1 3/2008 Al-Ali et al.  
 2008/0076980 A1 3/2008 Hoarau  
 2008/0076995 A1 3/2008 Hoarau  
 2008/0076996 A1 3/2008 Hoarau  
 2008/0081954 A1 4/2008 Meyer et al.  
 2008/0220633 A1 9/2008 Al-Ali et al.  
 2008/0255435 A1 10/2008 Al-Ali et al.  
 2008/0316488 A1 12/2008 Mao et al.  
 2011/0059646 A1 \* 3/2011 Su ..... H01R 13/5845  
 439/460  
 2015/0005600 A1 \* 1/2015 Blank ..... A61B 5/14532  
 600/344  
 2015/0150513 A1 \* 6/2015 Kobayashi ..... A61B 5/746  
 600/324

FOREIGN PATENT DOCUMENTS

JP 24329406 11/2004  
 JP 25052385 3/2005  
 JP 25110816 4/2005  
 JP 26061566 3/2006  
 JP 27117641 5/2007  
 JP 27167183 7/2007  
 JP 27167184 7/2007  
 JP 27190122 8/2007

OTHER PUBLICATIONS

A monitor designed to help treat a range of complex patients; 12673-  
 DesignedtoTreat-1402592390 (2012 INVOS brochure).

\* cited by examiner

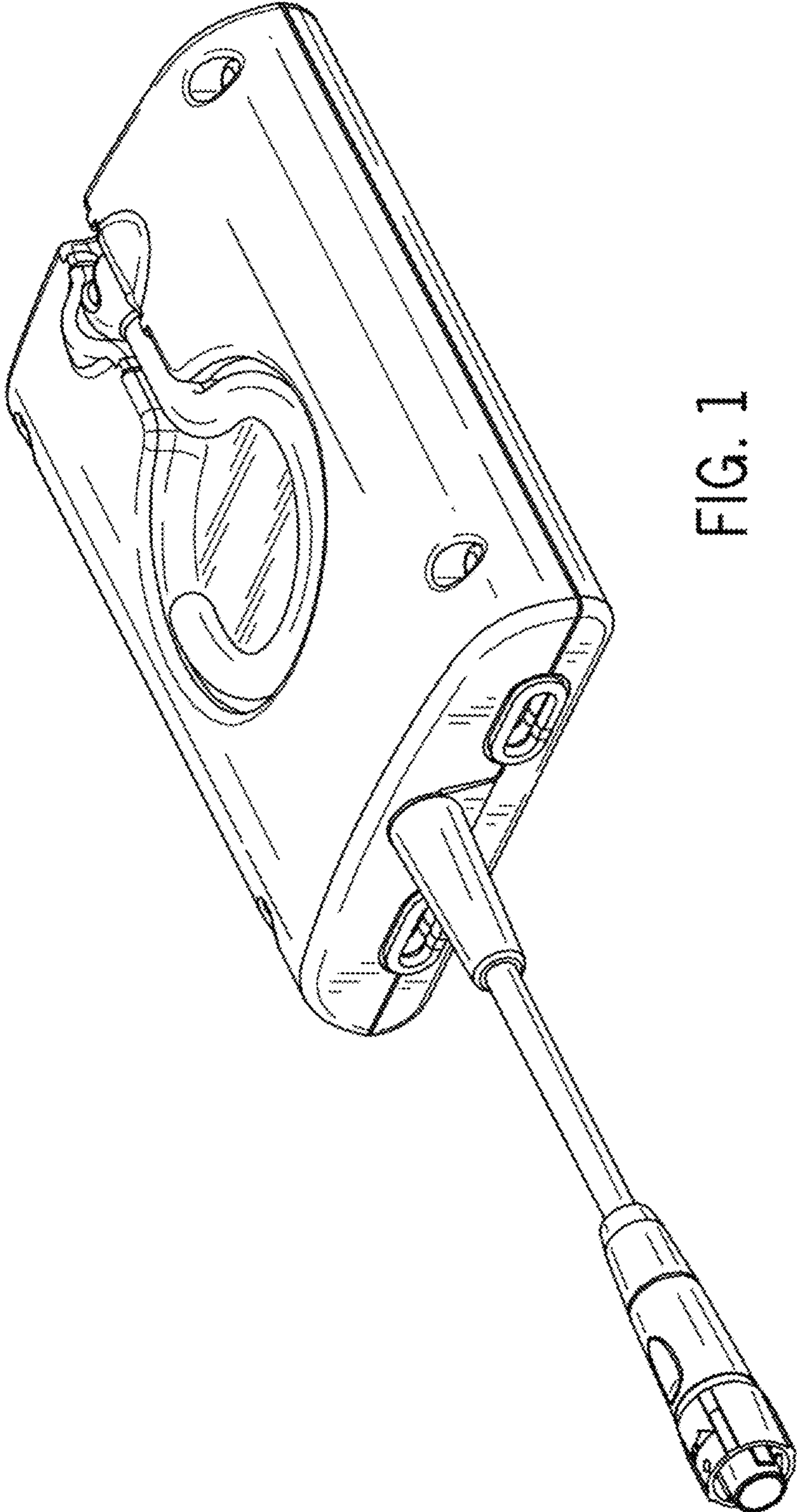


FIG. 1

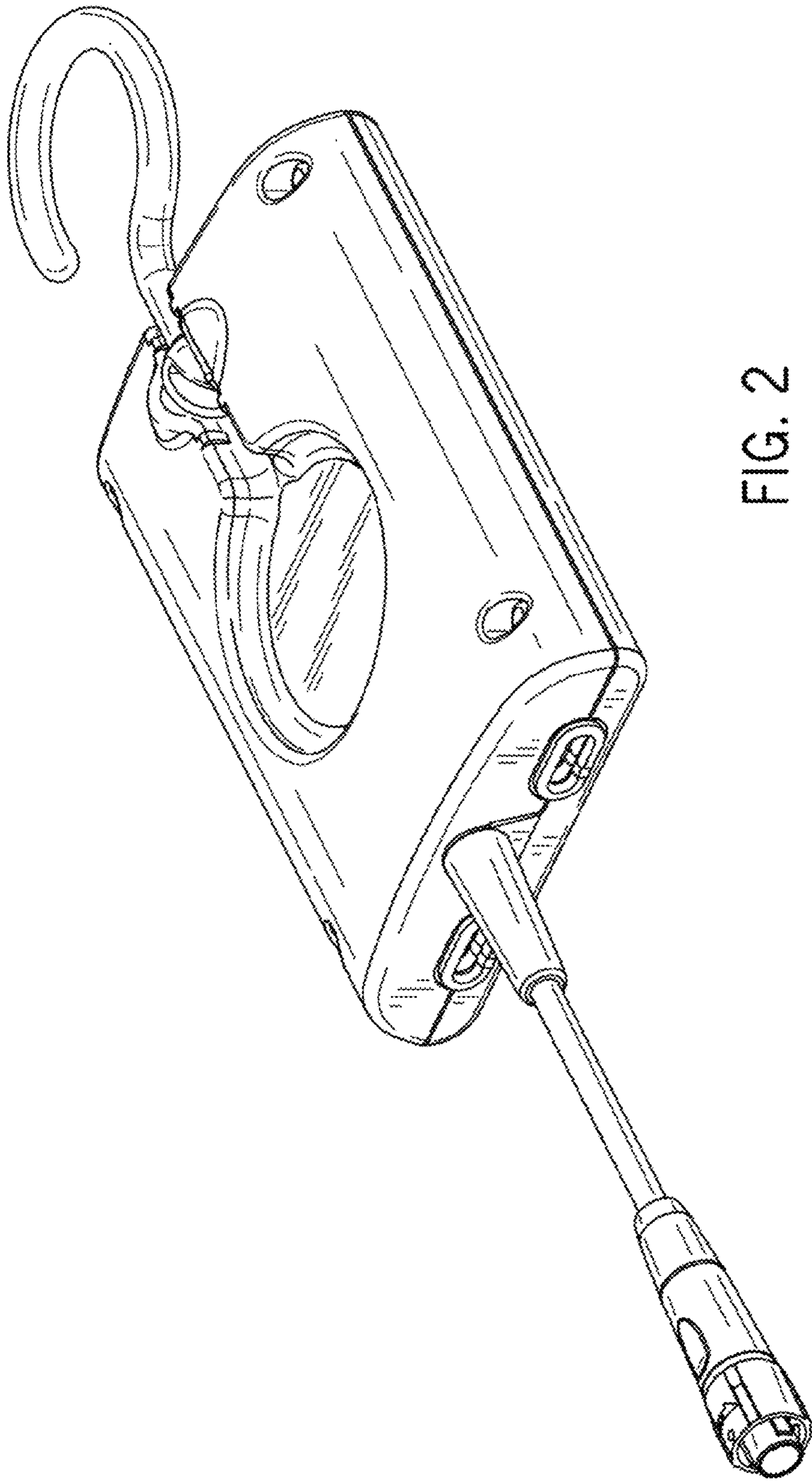


FIG. 2

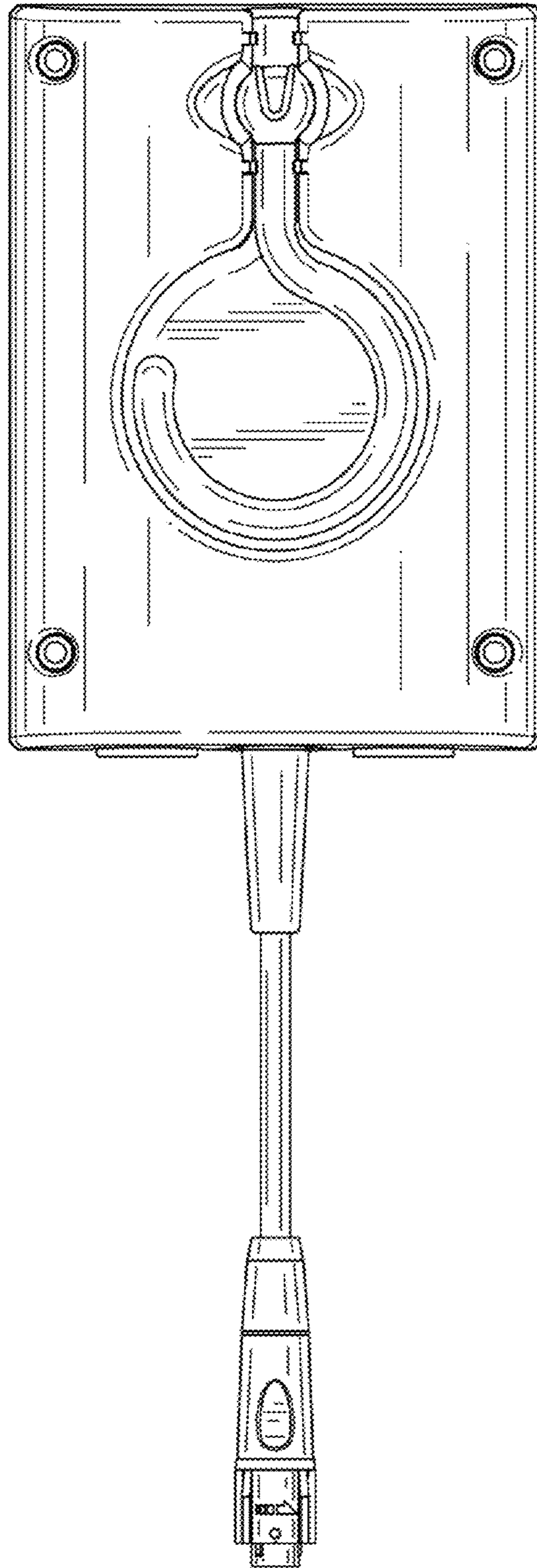


FIG. 3

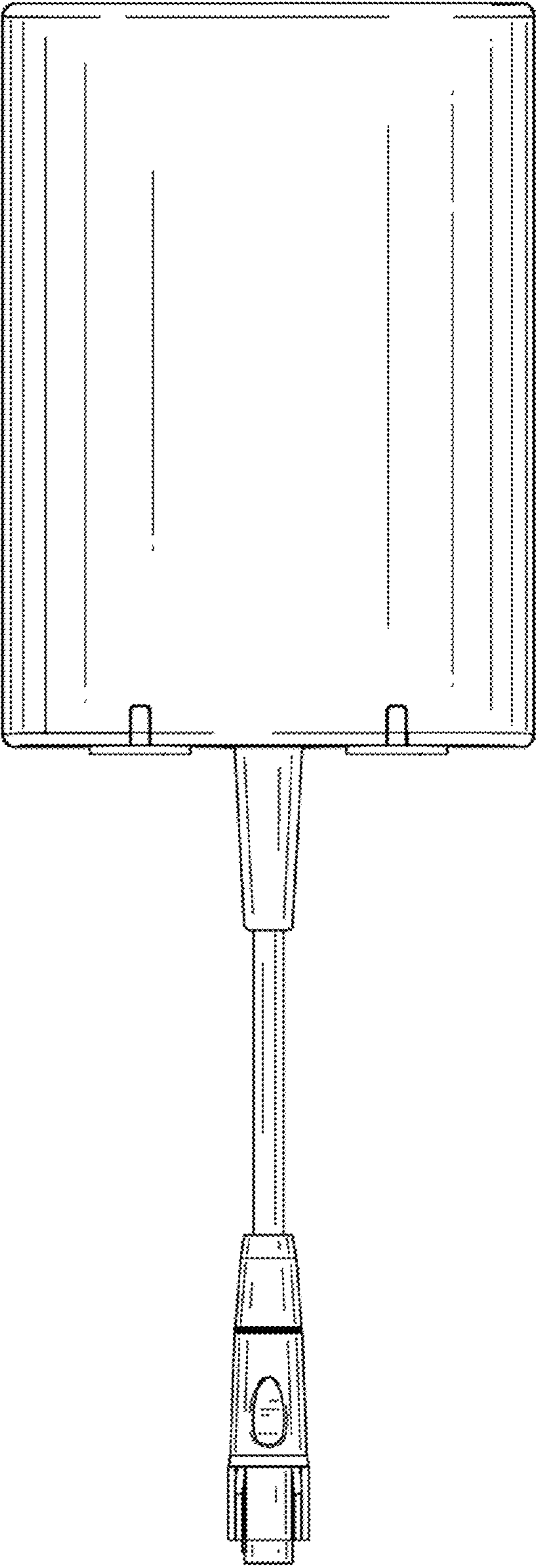


FIG. 4

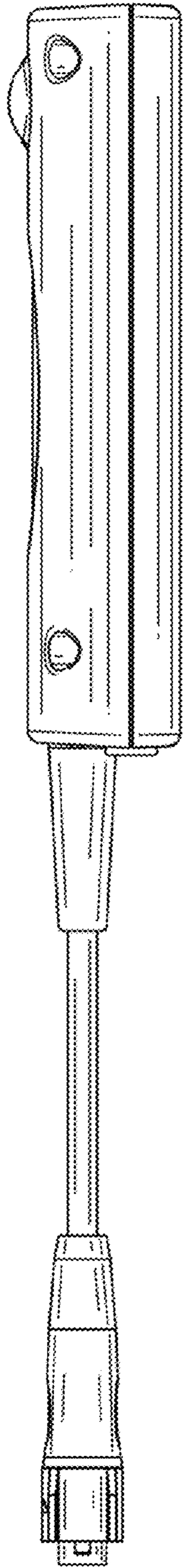


FIG. 5

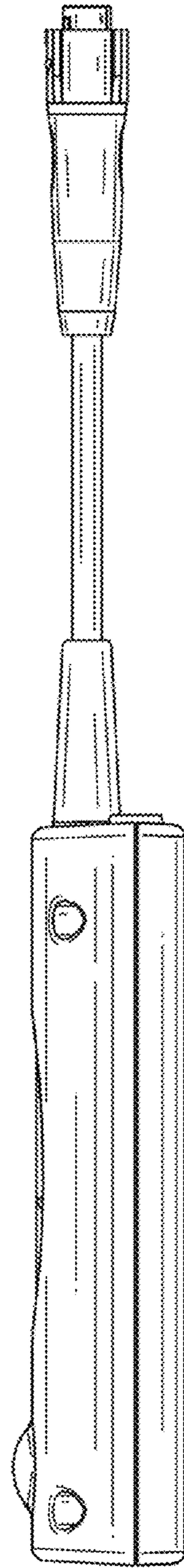


FIG. 6

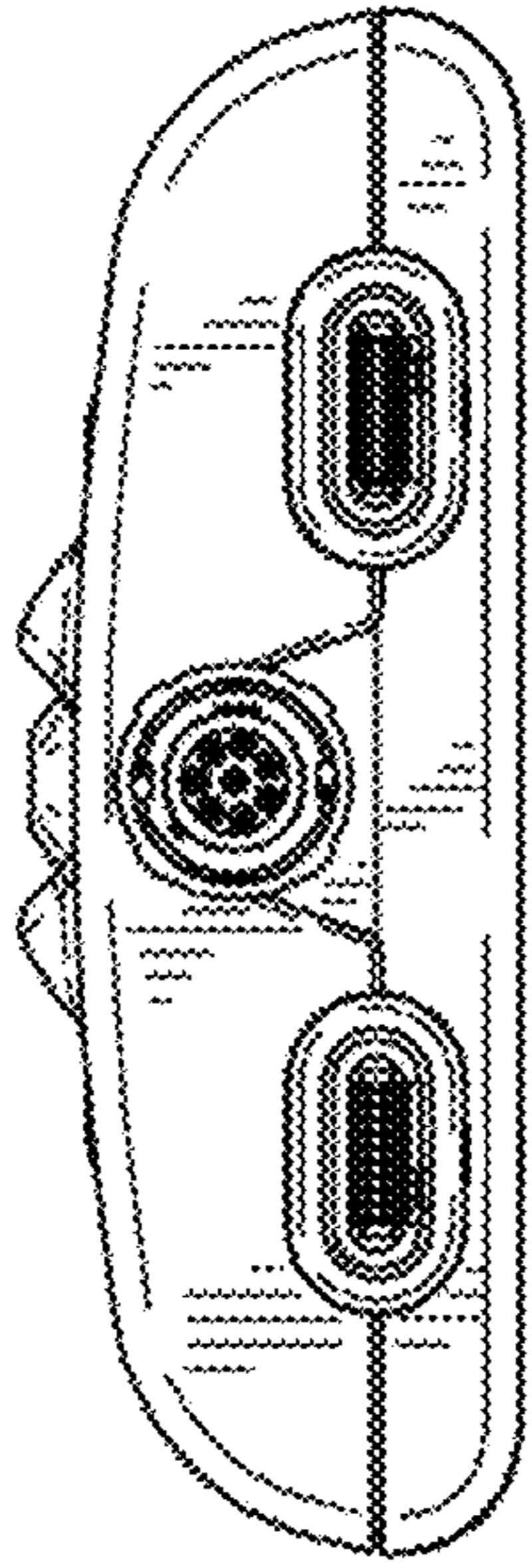


FIG. 7

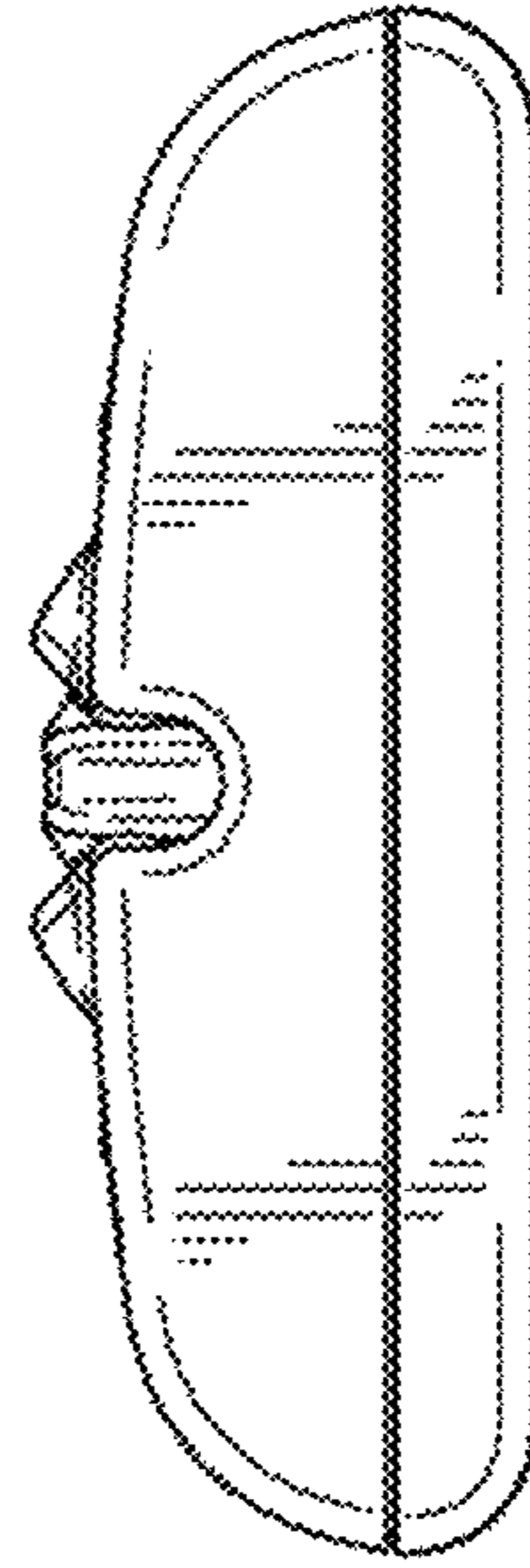


FIG. 8



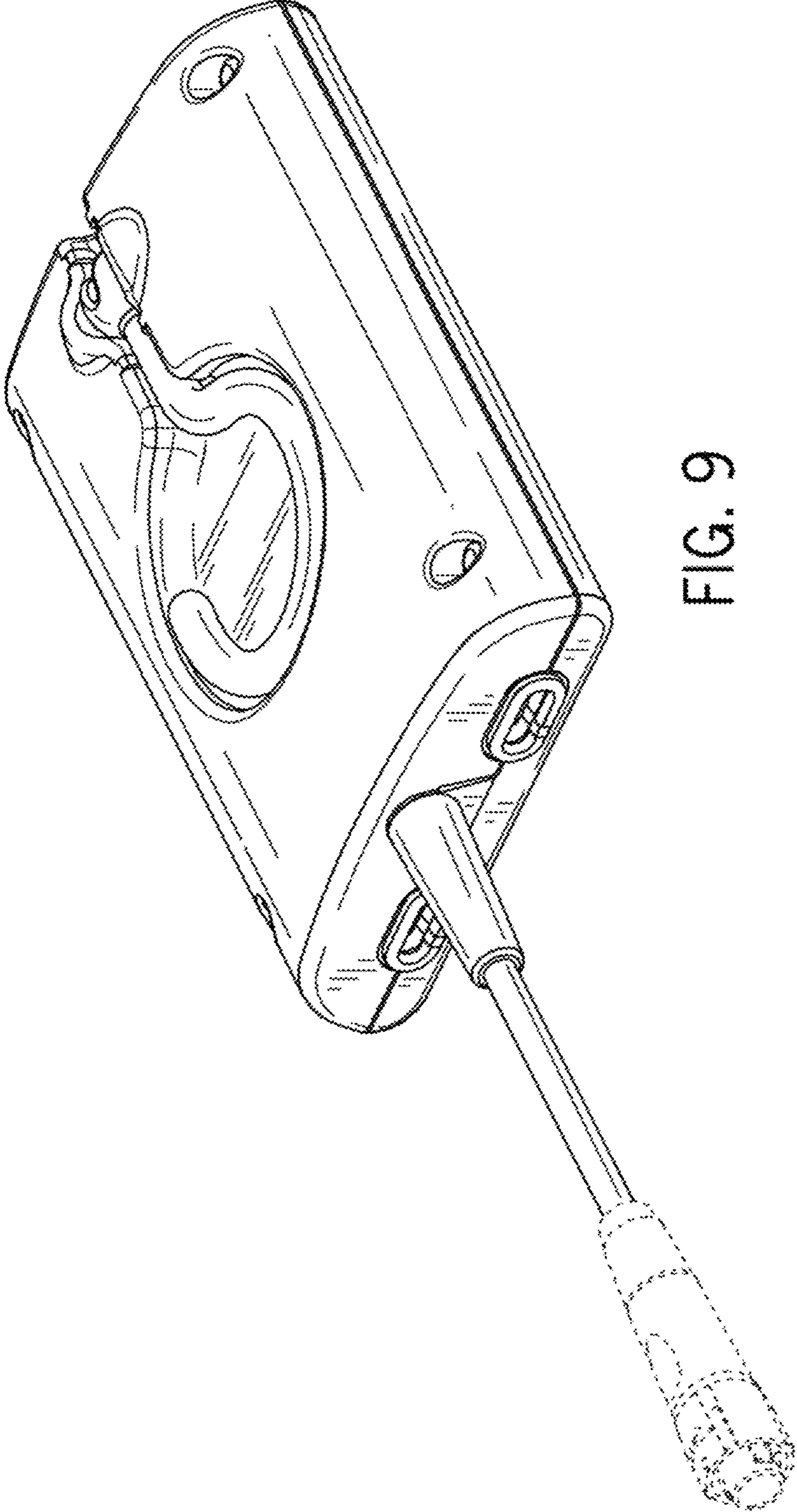


FIG. 9

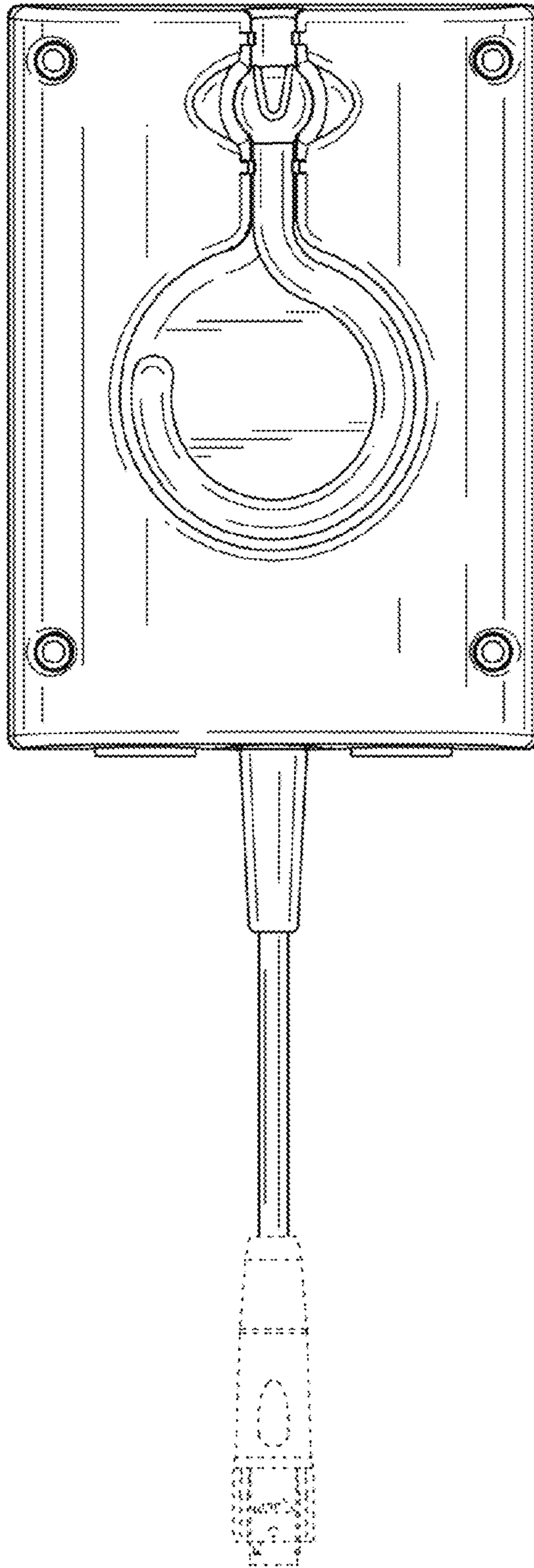


FIG. 10

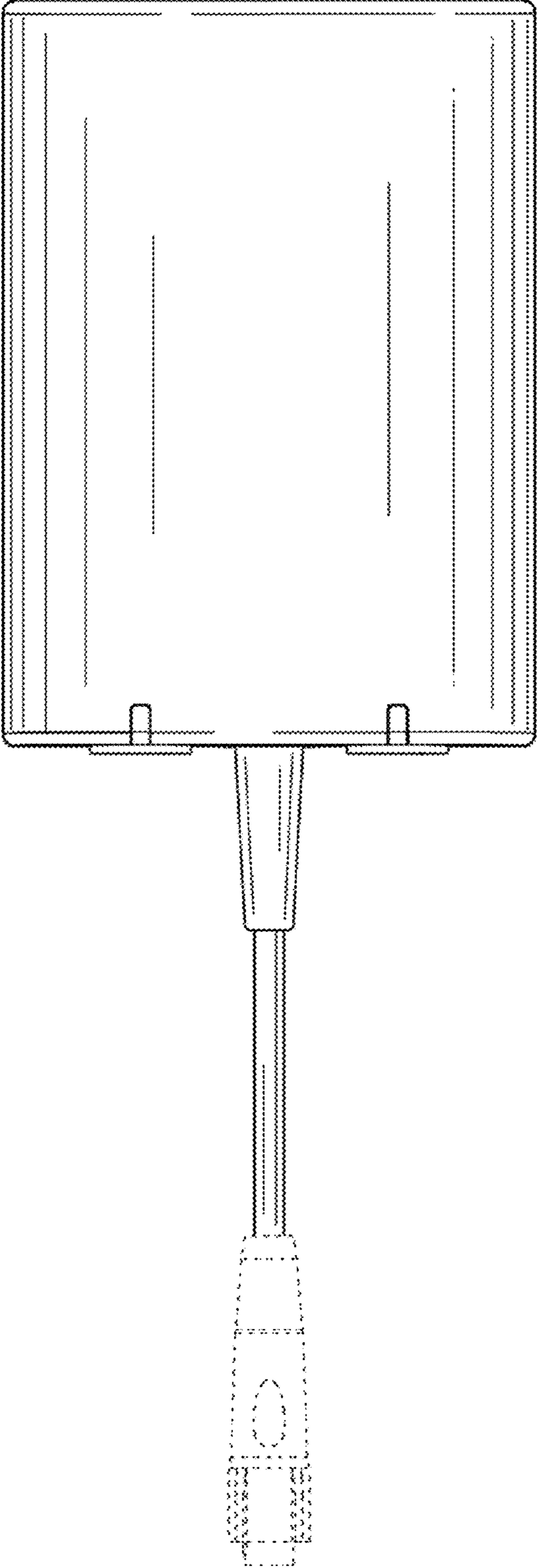


FIG. 11

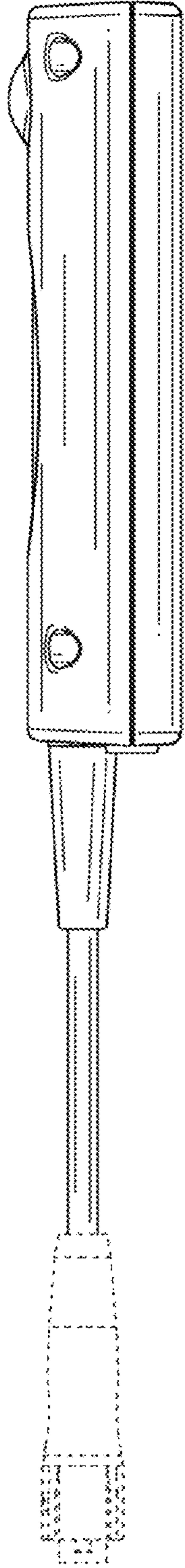


FIG. 12

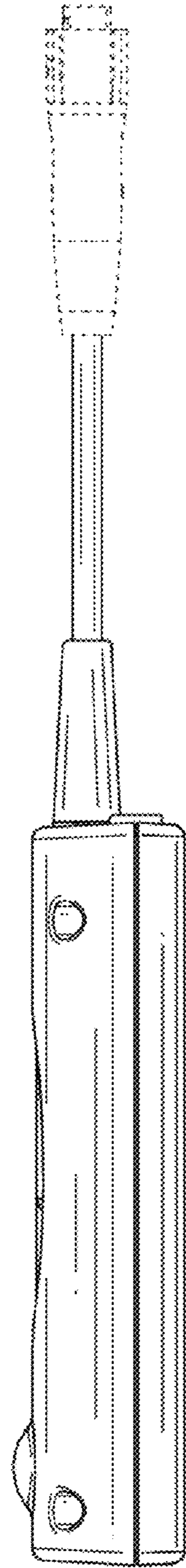


FIG. 13