



US00D756816S

(12) **United States Design Patent**  
**Langton**

(10) **Patent No.:** **US D756,816 S**  
(45) **Date of Patent:** **\*\* May 24, 2016**

(54) **TRACKING DEVICE**

(71) Applicant: **Sebastian Ralph Edward Langton,**  
North Sydney (AU)

(72) Inventor: **Sebastian Ralph Edward Langton,**  
North Sydney (AU)

(73) Assignee: **Pod Trackers Pty Ltd,** Lavender Bay,  
NSW (AU)

(\*\*) Term: **14 Years**

(21) Appl. No.: **29/517,502**

(22) Filed: **Feb. 13, 2015**

(51) **LOC (10) Cl.** ..... **10-04**

(52) **U.S. Cl.**  
USPC ..... **D10/70; D10/65**

(58) **Field of Classification Search**  
USPC ..... D10/65, 70  
CPC ..... A41D 1/02; A44C 5/0015; A44C 5/02;  
A44C 5/14; A61B 19/44; A61B 2019/446;  
A63B 71/06; A63B 26/00; A63B 24/0075;  
A63B 2071/0663; G09F 3/005; G06F 1/163;  
G06F 3/038; G06F 3/03547; G04G 17/00;  
G04G 17/08

See application file for complete search history.

(56) **References Cited**

U.S. PATENT DOCUMENTS

D663,225 S \* 7/2012 Brooks ..... D10/65  
8,862,394 B2 \* 10/2014 Taylor, Jr. .... G01C 21/16  
701/470

\* cited by examiner

*Primary Examiner* — Antoine D Davis

(74) *Attorney, Agent, or Firm* — Brinks Gilson & Lione; G. Peter Nichols

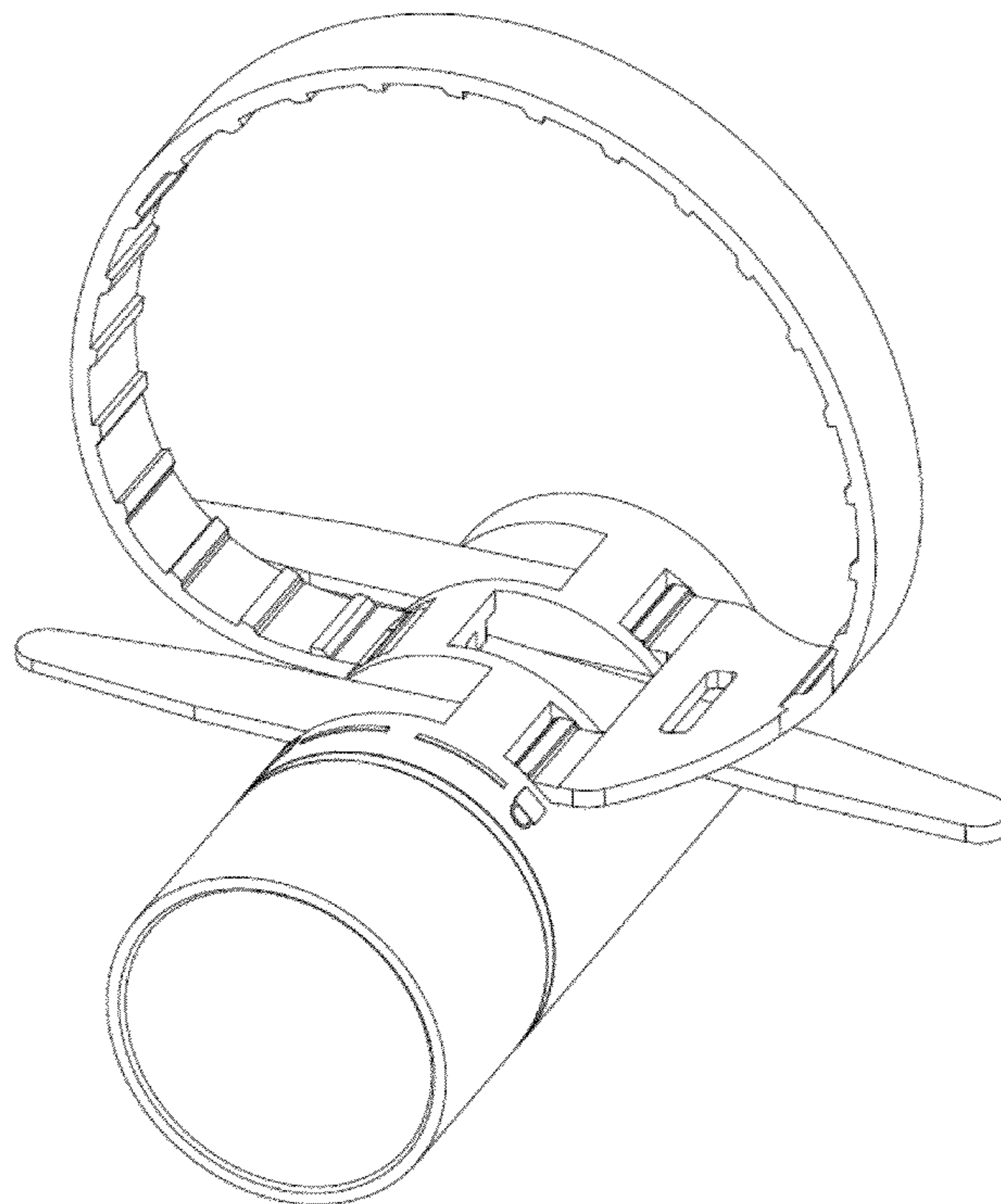
(57) **CLAIM**

The ornamental design for a tracking device, as shown and described.

**DESCRIPTION**

FIG. 1 is a rear, underside perspective view of a tracking device according to the present invention;  
FIG. 2 is a side view from one side thereof;  
FIG. 3 is a view from a side opposite to FIG. 2;  
FIG. 4 is a top view thereof;  
FIG. 5 is a bottom view thereof;  
FIG. 6 is a rear view thereof;  
FIG. 7 is a front view thereof;  
FIG. 8 is a front perspective view thereof;  
FIG. 9 is a front perspective view of the device in an open configuration and with a battery portion removed;  
FIG. 10 is a front perspective view of the device showing a strap attached to the device; and,  
FIG. 11 is a top plan view of the strap shown in FIG. 10.

**1 Claim, 6 Drawing Sheets**



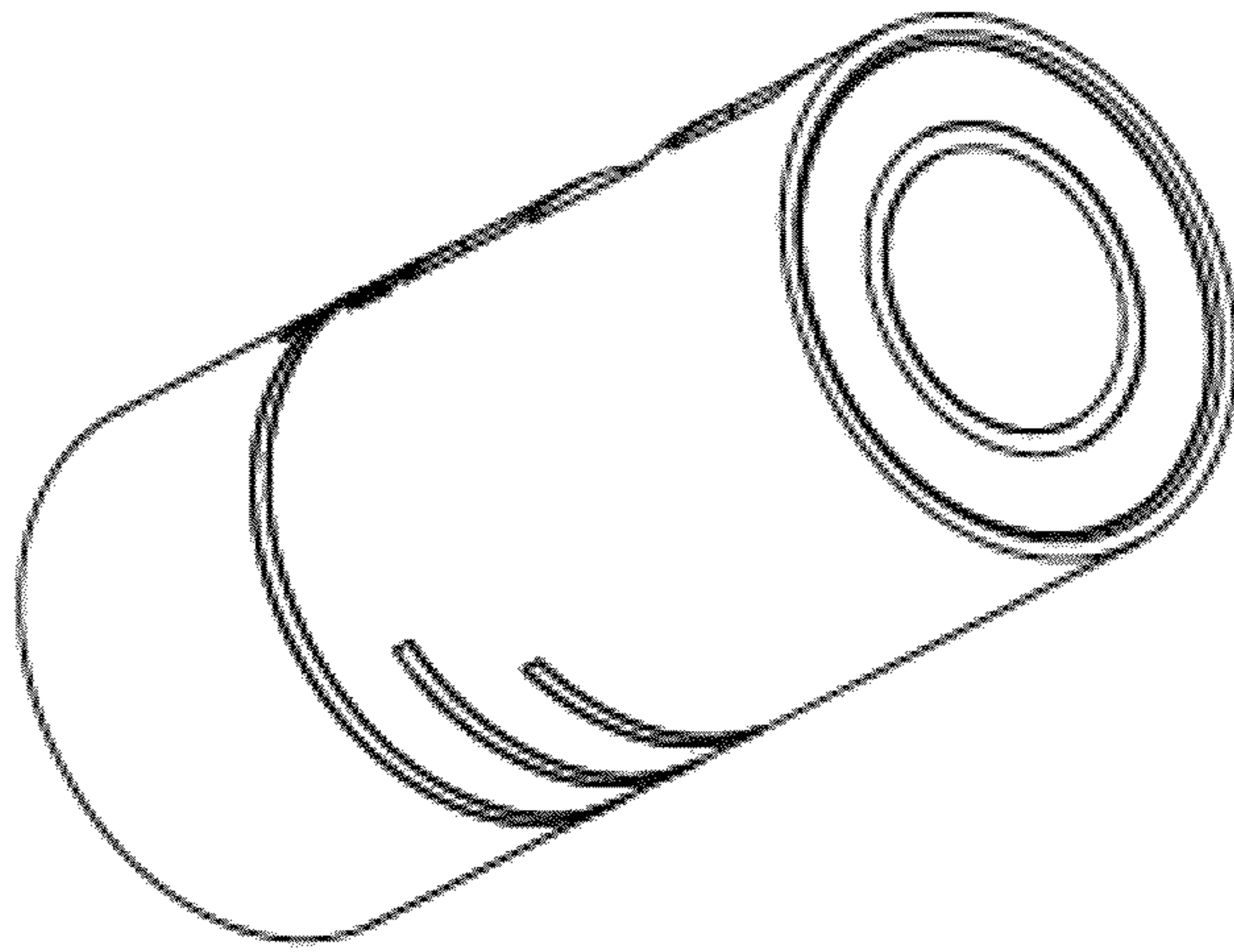


Fig. 1

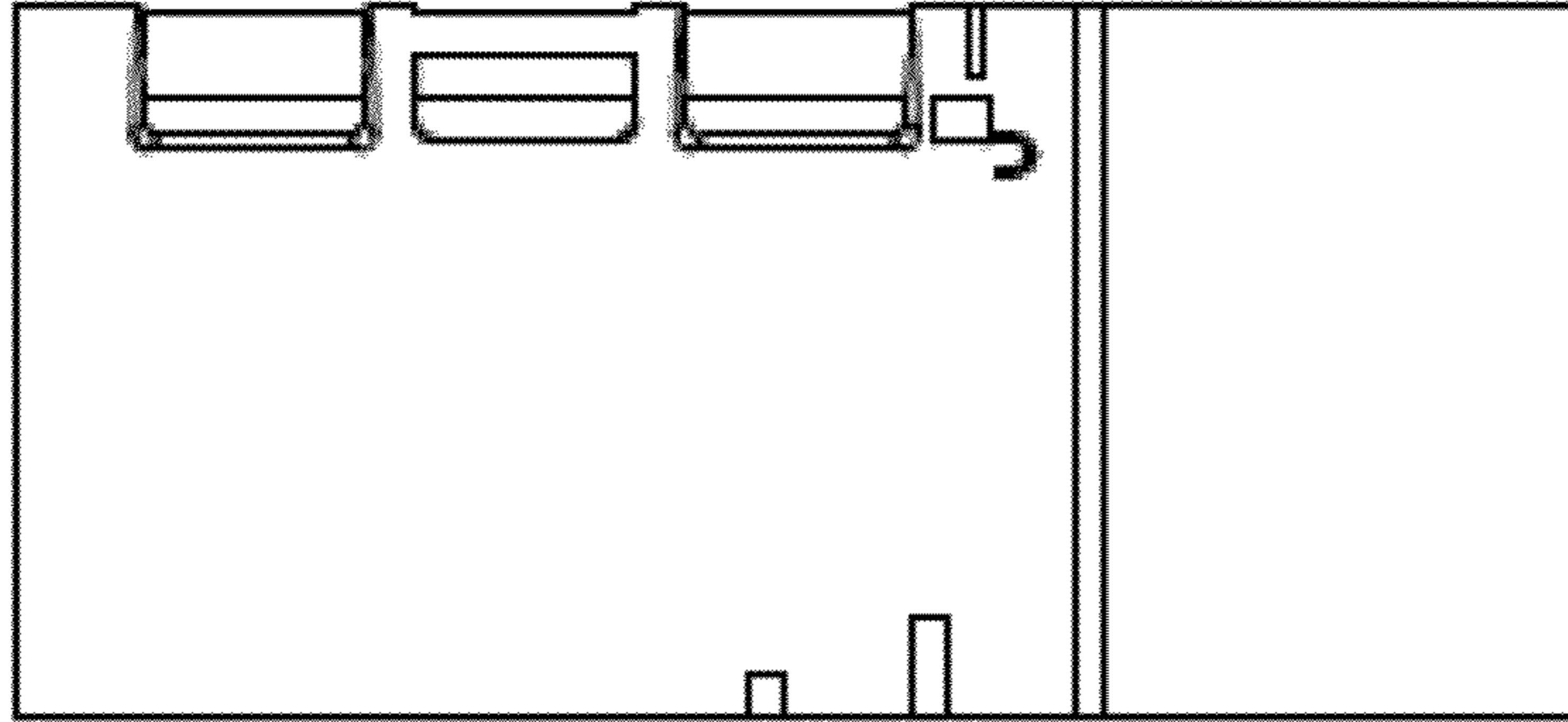


Fig. 2

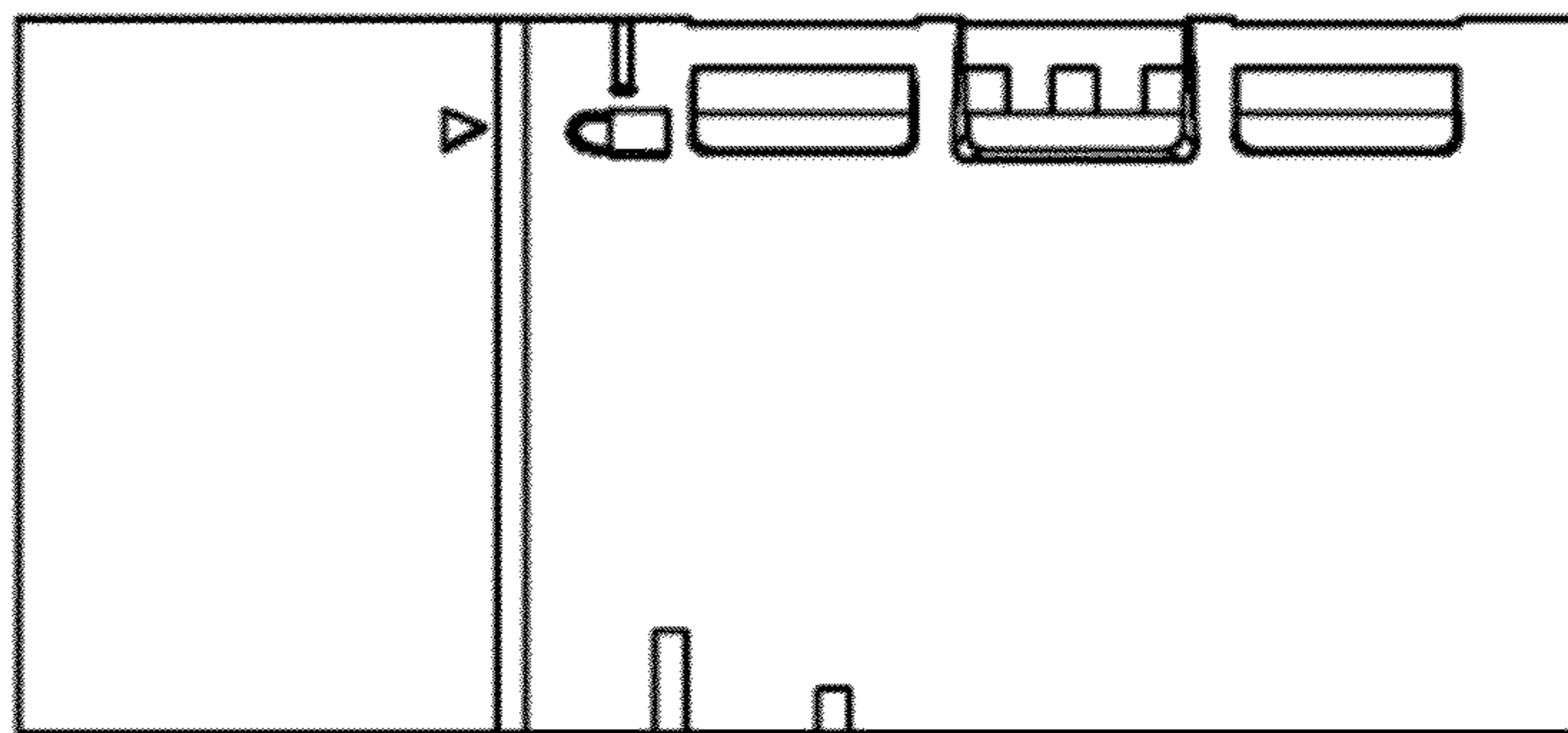


Fig. 3

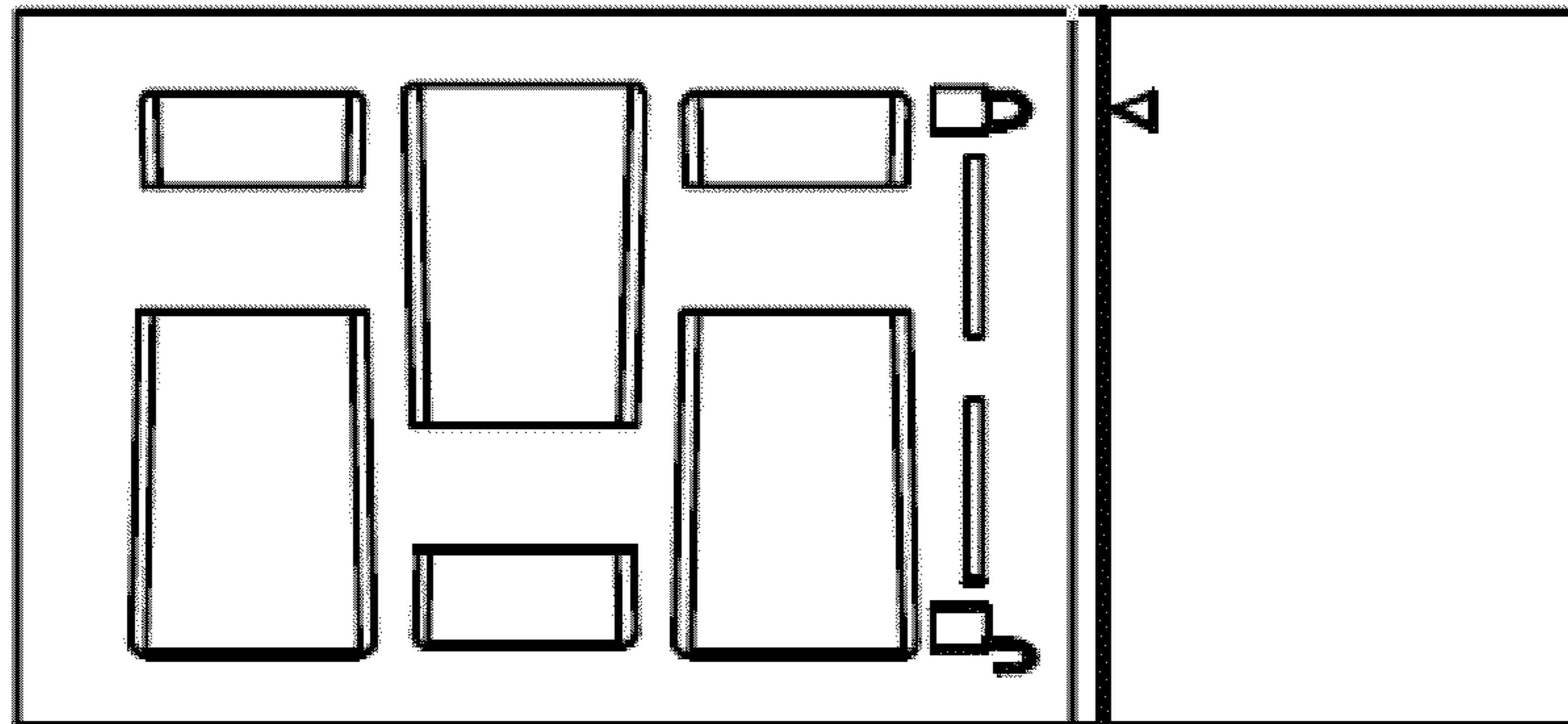


Fig. 4

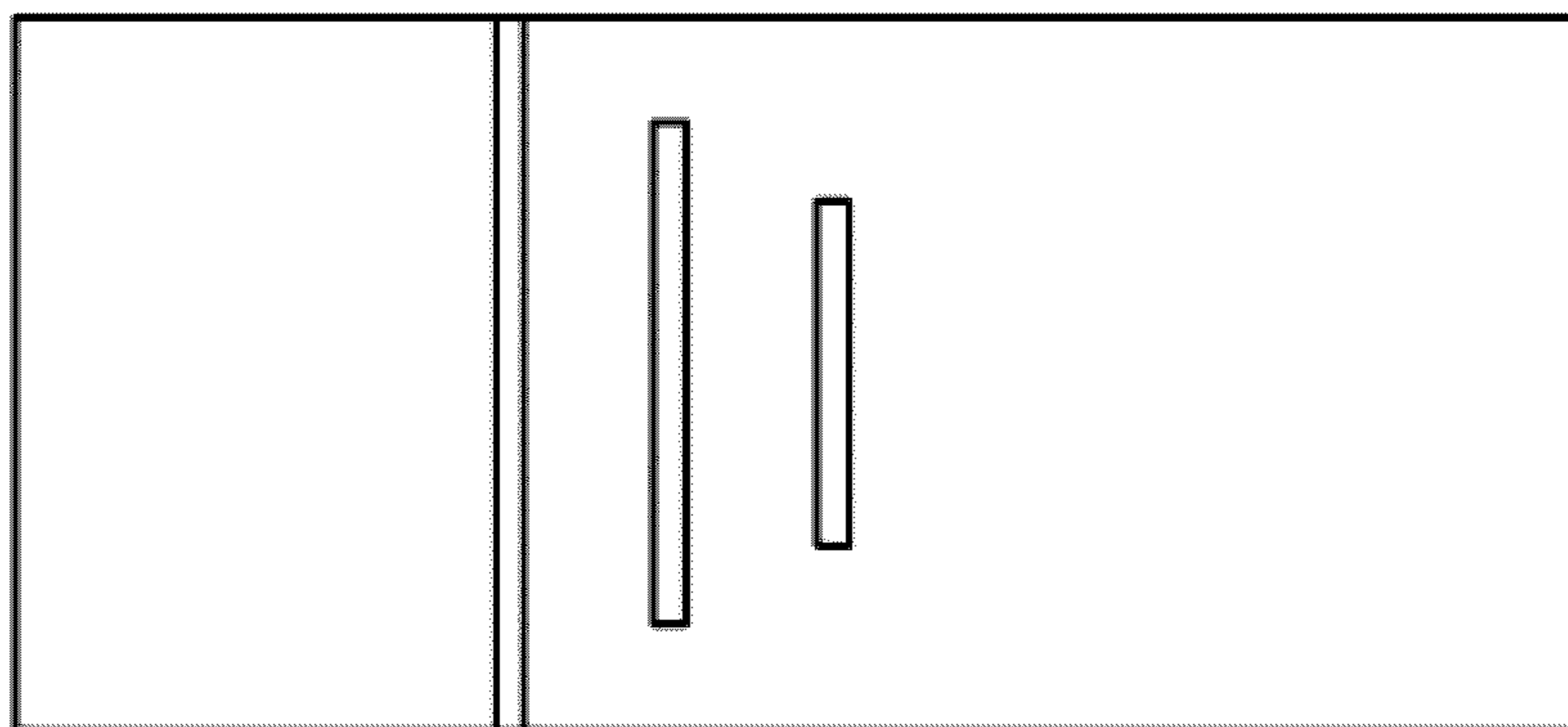


Fig. 5

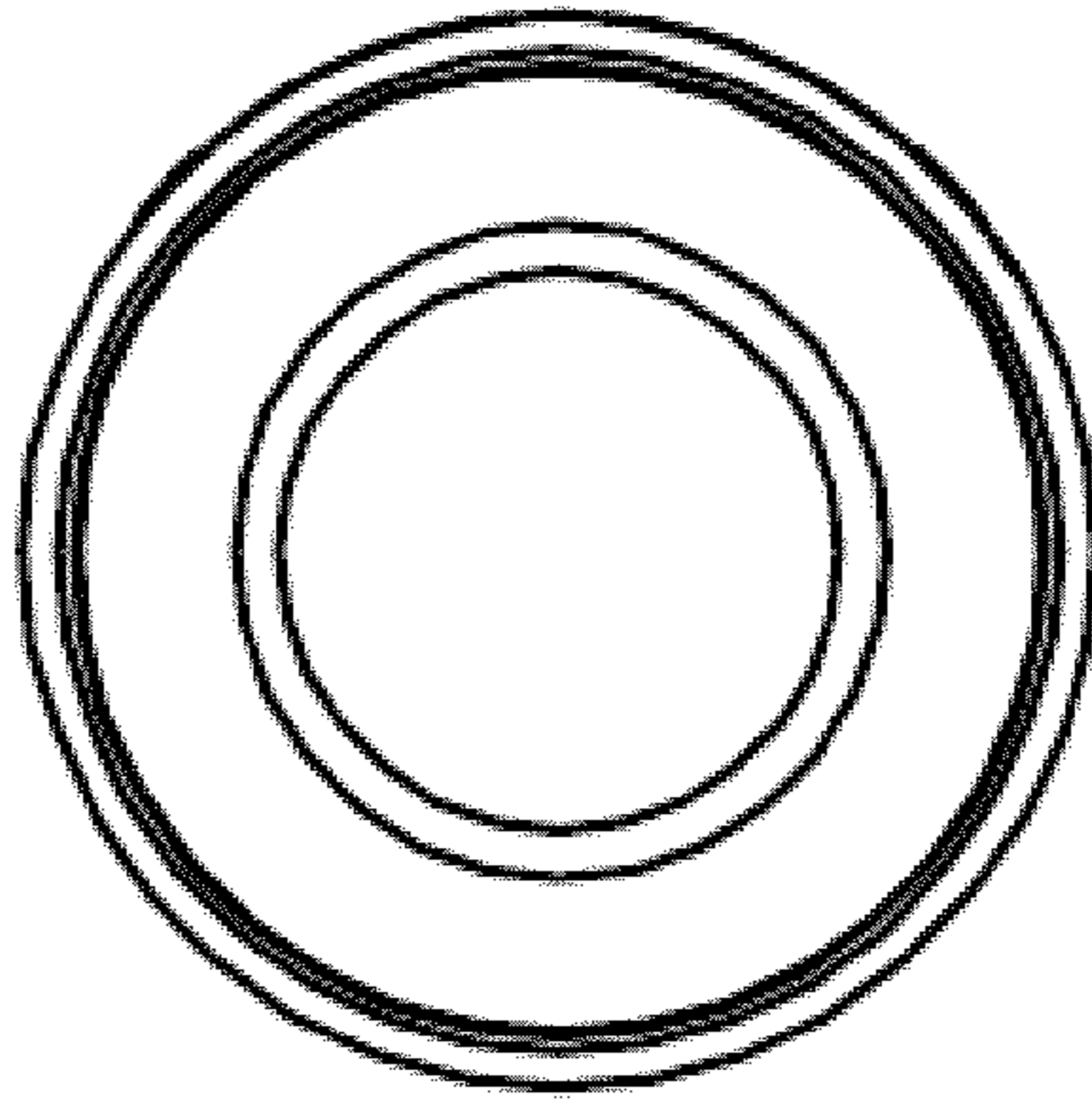


Fig. 6

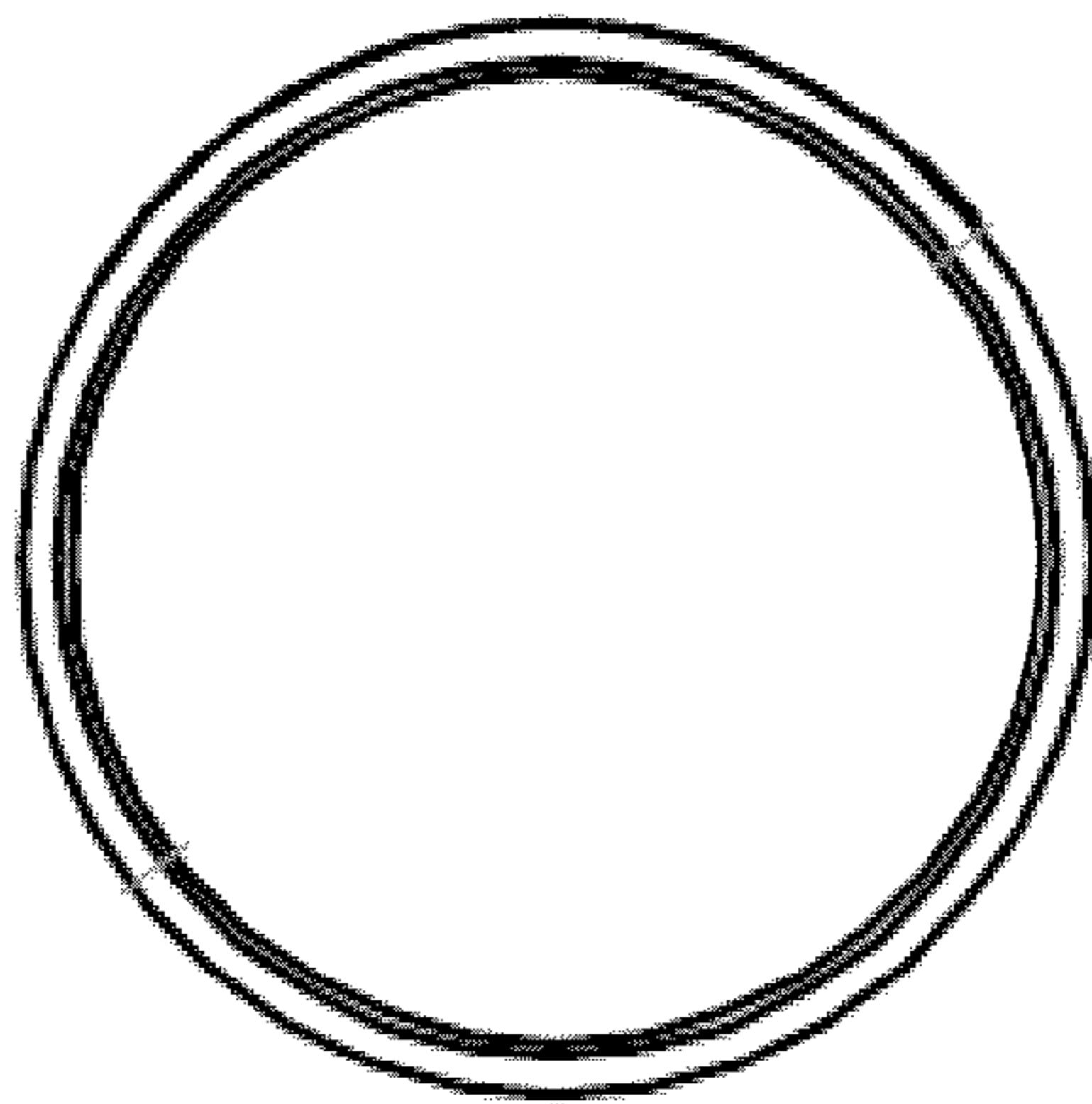


Fig. 7



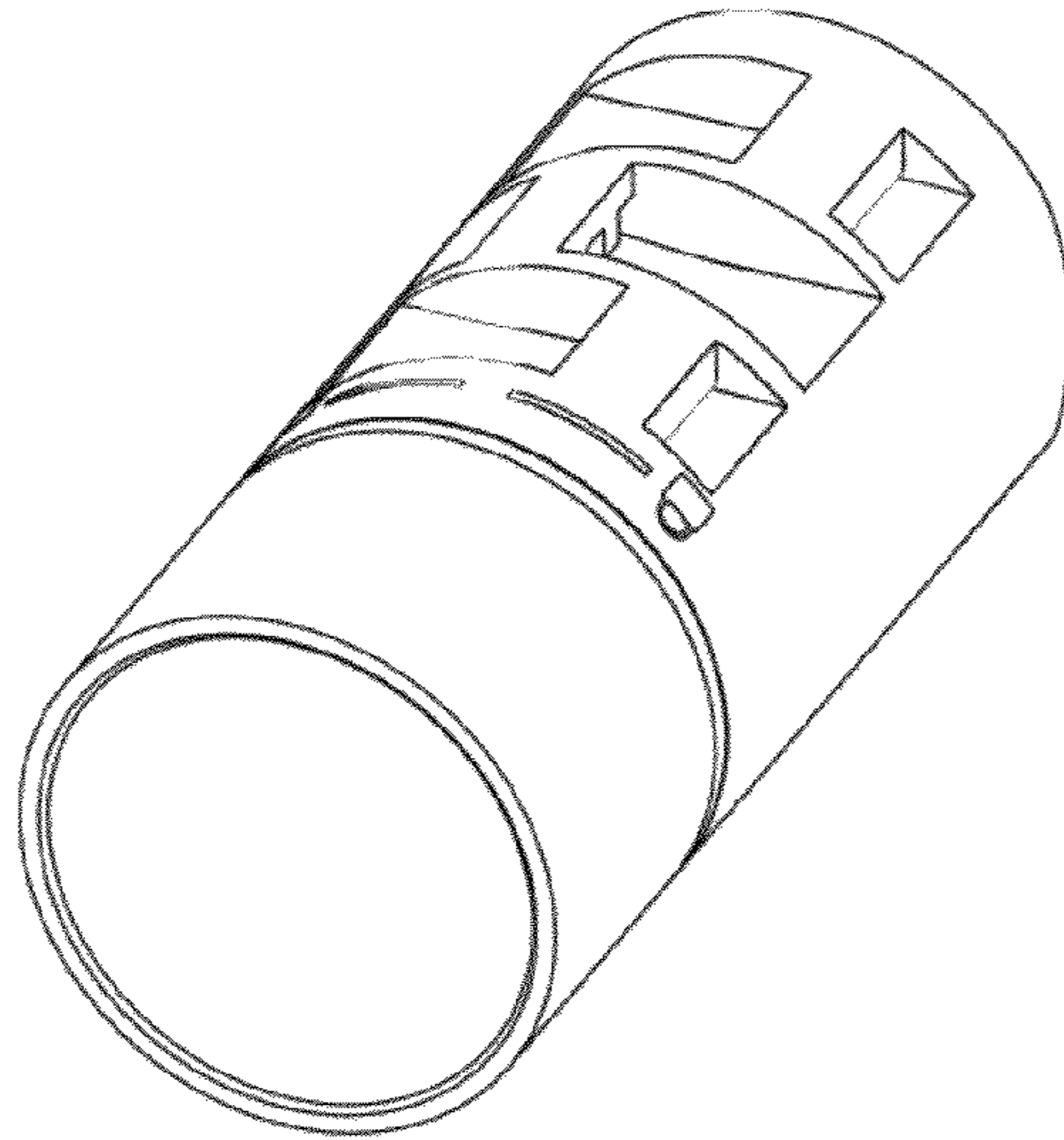


Fig. 8

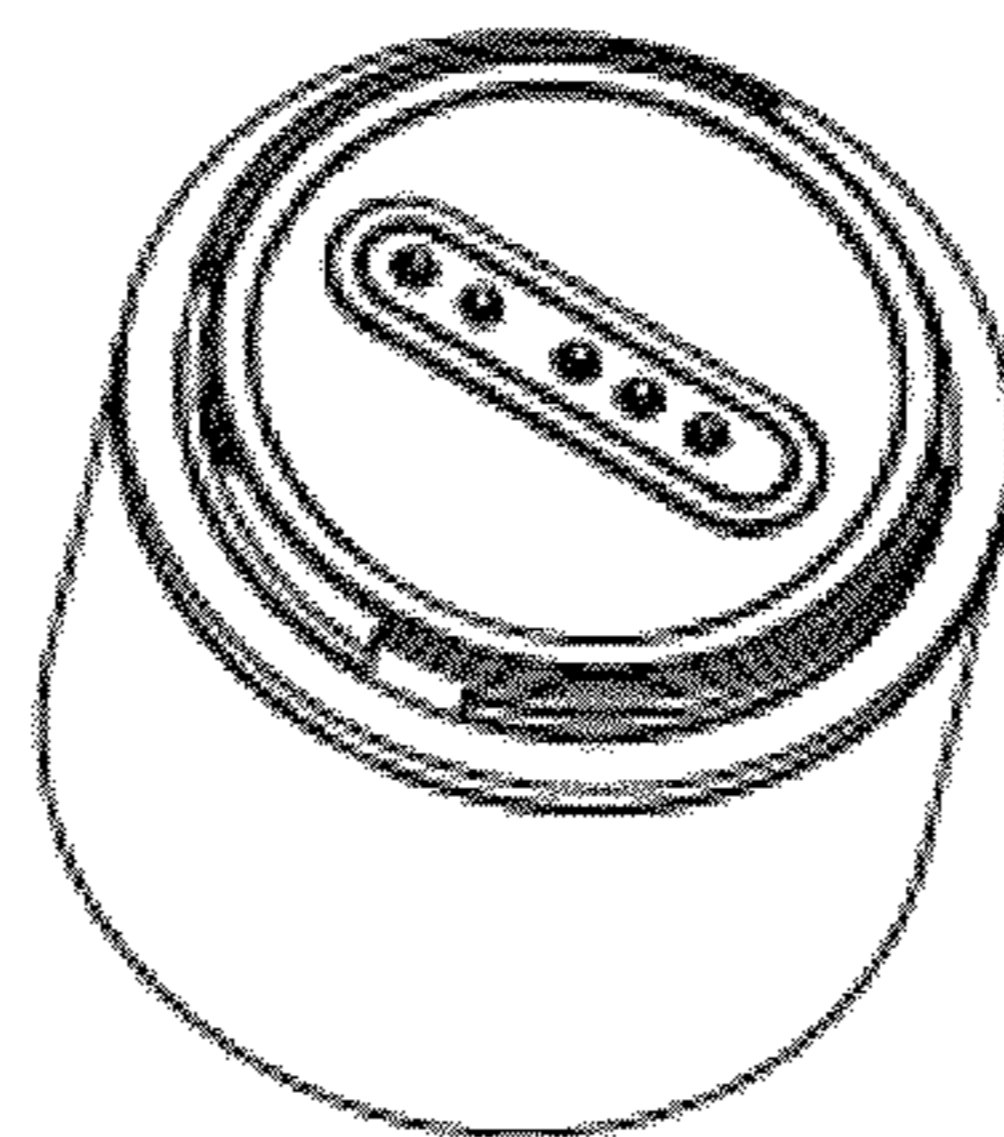
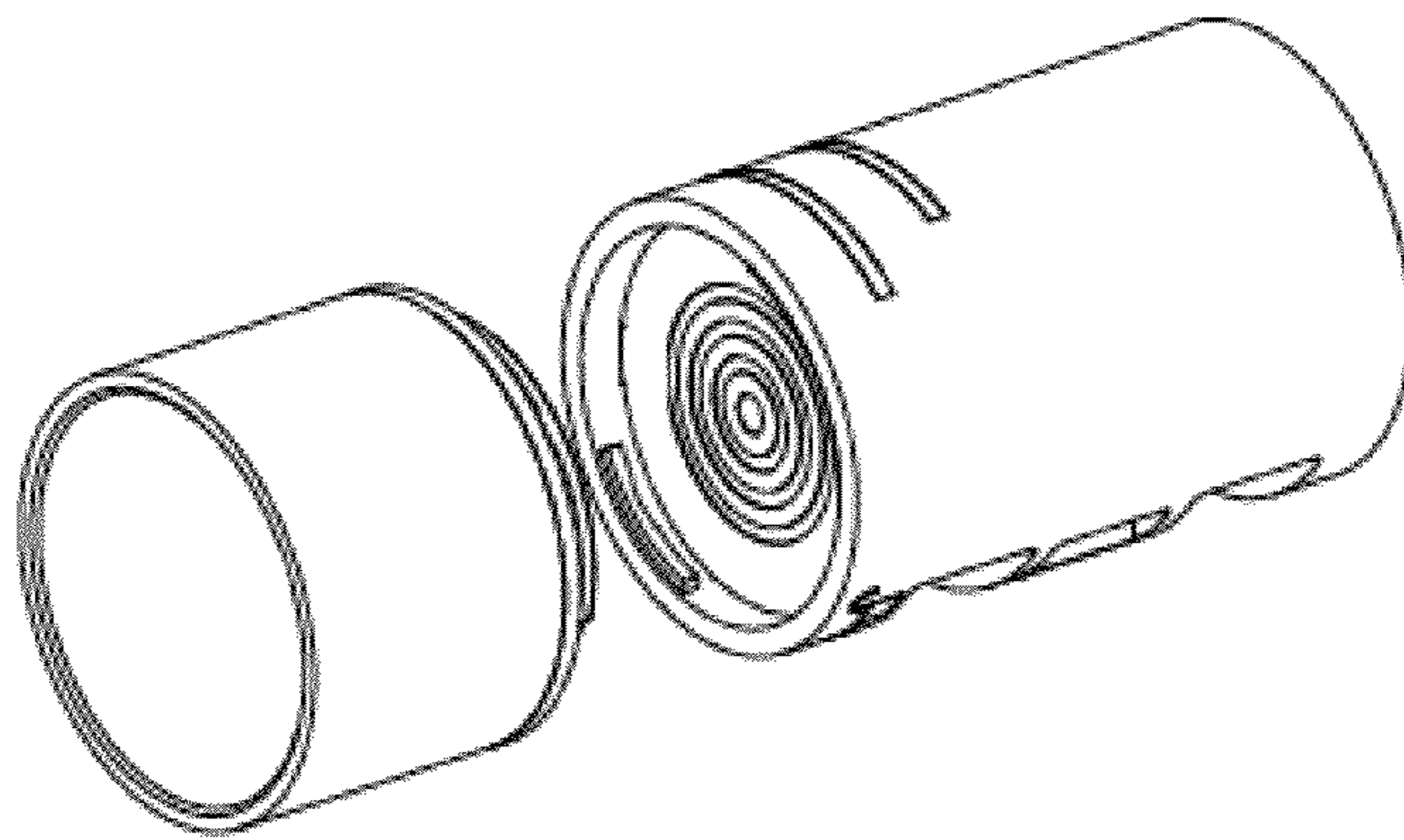


Fig. 9

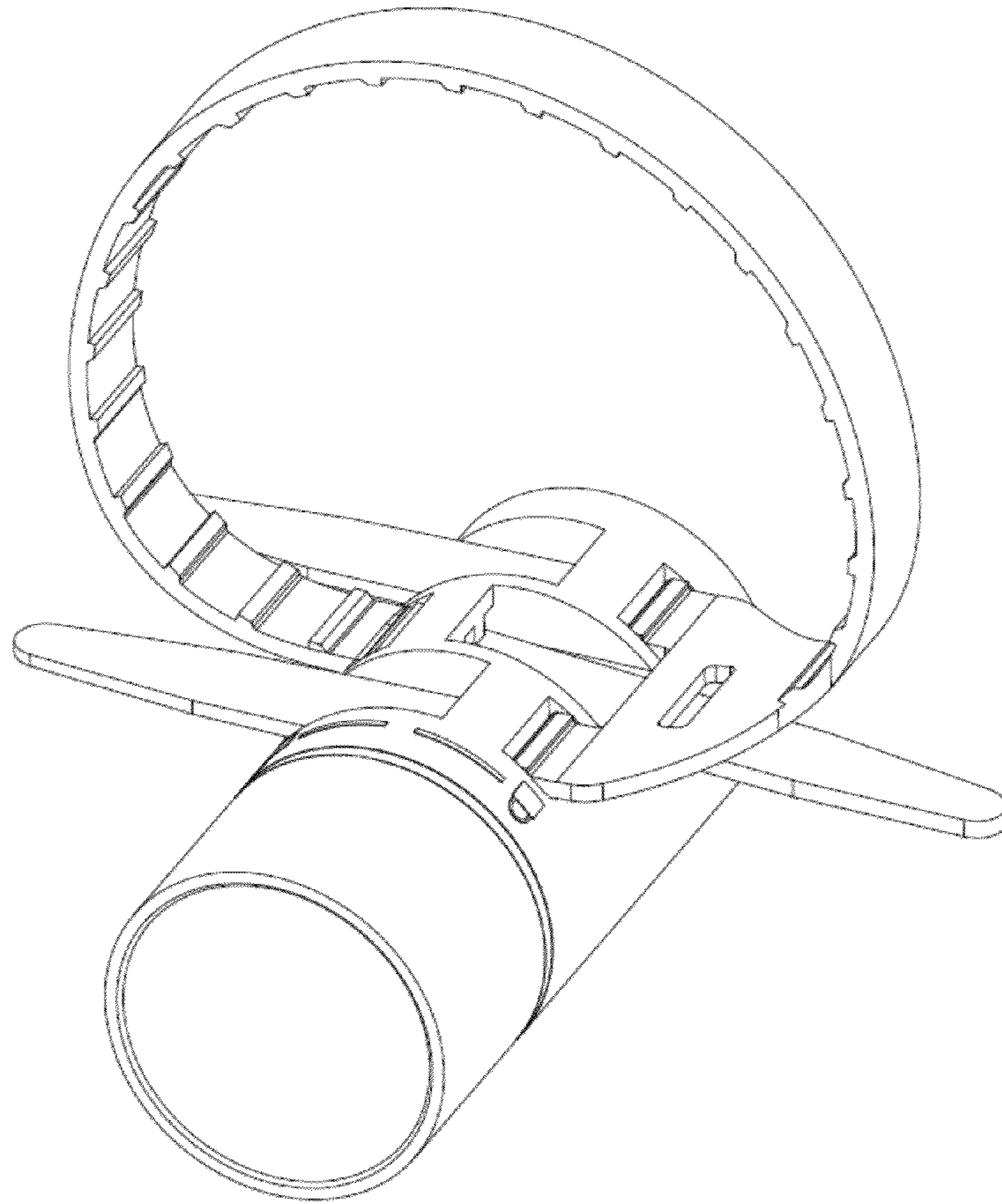


Fig. 10

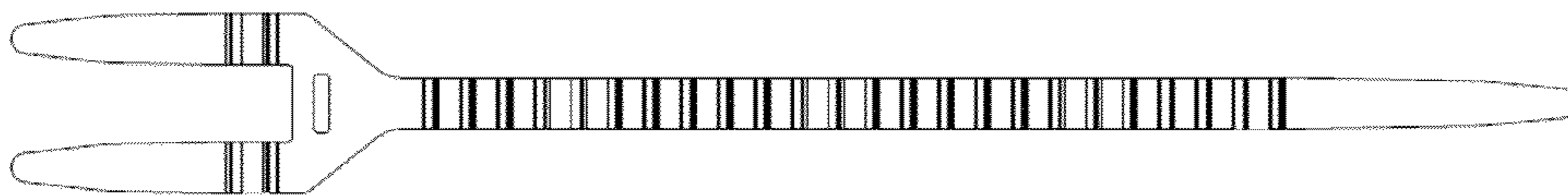


Fig. 11