



US00D756815S

(12) **United States Design Patent**
Fennelly

(10) **Patent No.:** **US D756,815 S**

(45) **Date of Patent:** **** May 24, 2016**

(54) **LOCKING PROTRACTOR**

(71) Applicant: **James B. Fennelly**, Joelton, TN (US)

(72) Inventor: **James B. Fennelly**, Joelton, TN (US)

(73) Assignee: **Uhlir Accurate, LLC**, Mount Juliet, TN (US)

(**) Term: **14 Years**

(21) Appl. No.: **29/519,383**

(22) Filed: **Mar. 4, 2015**

(51) **LOC (10) Cl.** **10-04**

(52) **U.S. Cl.**
USPC **D10/65**

(58) **Field of Classification Search**
USPC D10/65
CPC G01B 3/56; G01B 3/563; G01B 3/566
See application file for complete search history.

(56) **References Cited**
U.S. PATENT DOCUMENTS

| | | | | | |
|-----------|-----|--------|------------|-------|-----------------------|
| 2,920,392 | A * | 1/1960 | Stromquist | | G01B 3/563 33/424 |
| 3,431,653 | A * | 3/1969 | Mudon | | G01B 3/06 33/458 |
| 3,650,466 | A * | 3/1972 | Talonn | | G06G 1/14 235/61 B |

| | | | | | |
|----------|-----|---------|-----------|-------|--------|
| D267,550 | S * | 1/1983 | Smyth | | D10/62 |
| D298,806 | S * | 12/1988 | Tandy | | D10/62 |
| D318,433 | S * | 7/1991 | Eveleth | | D10/65 |
| D337,955 | S * | 8/1993 | Edwards | | D10/65 |
| D438,126 | S * | 2/2001 | Pickering | | D10/65 |
| D630,954 | S * | 1/2011 | Giles | | D10/65 |

* cited by examiner

Primary Examiner — Antoine D Davis

(74) *Attorney, Agent, or Firm* — Dale J. Ream

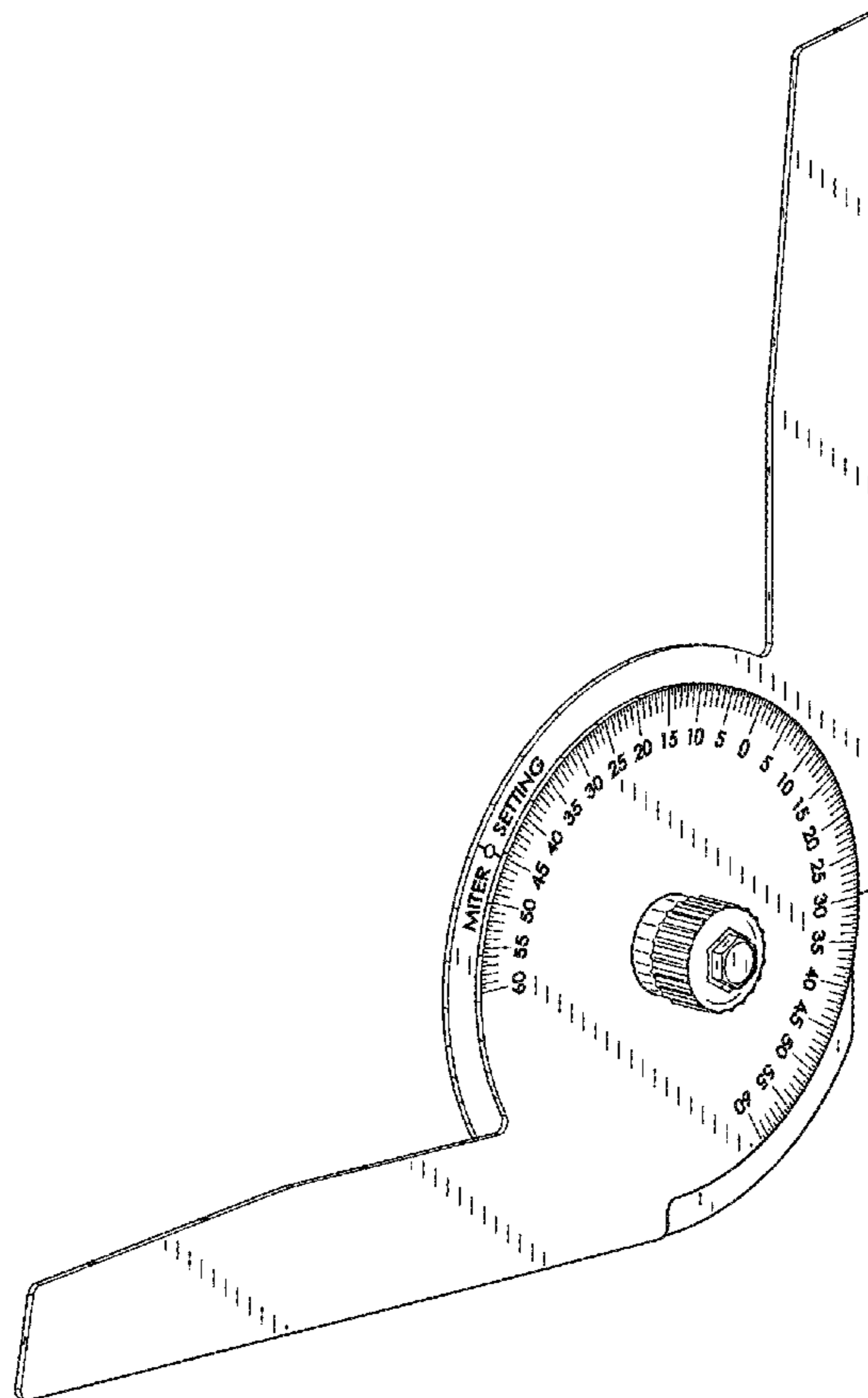
(57) **CLAIM**

The ornamental design for a locking protractor, as shown and described.

DESCRIPTION

FIG. 1 is a perspective view of a locking protractor showing my new design in an open configuration;
FIG. 2 is a perspective view of a locking protractor as in FIG. 1, shown in a closed configuration;
FIG. 3 is a front view thereof;
FIG. 4 is a back view thereof;
FIG. 5 is a right side view thereof;
FIG. 6 is a left side view thereof;
FIG. 7 is a top view thereof; and,
FIG. 8 is a bottom view thereof.

1 Claim, 6 Drawing Sheets



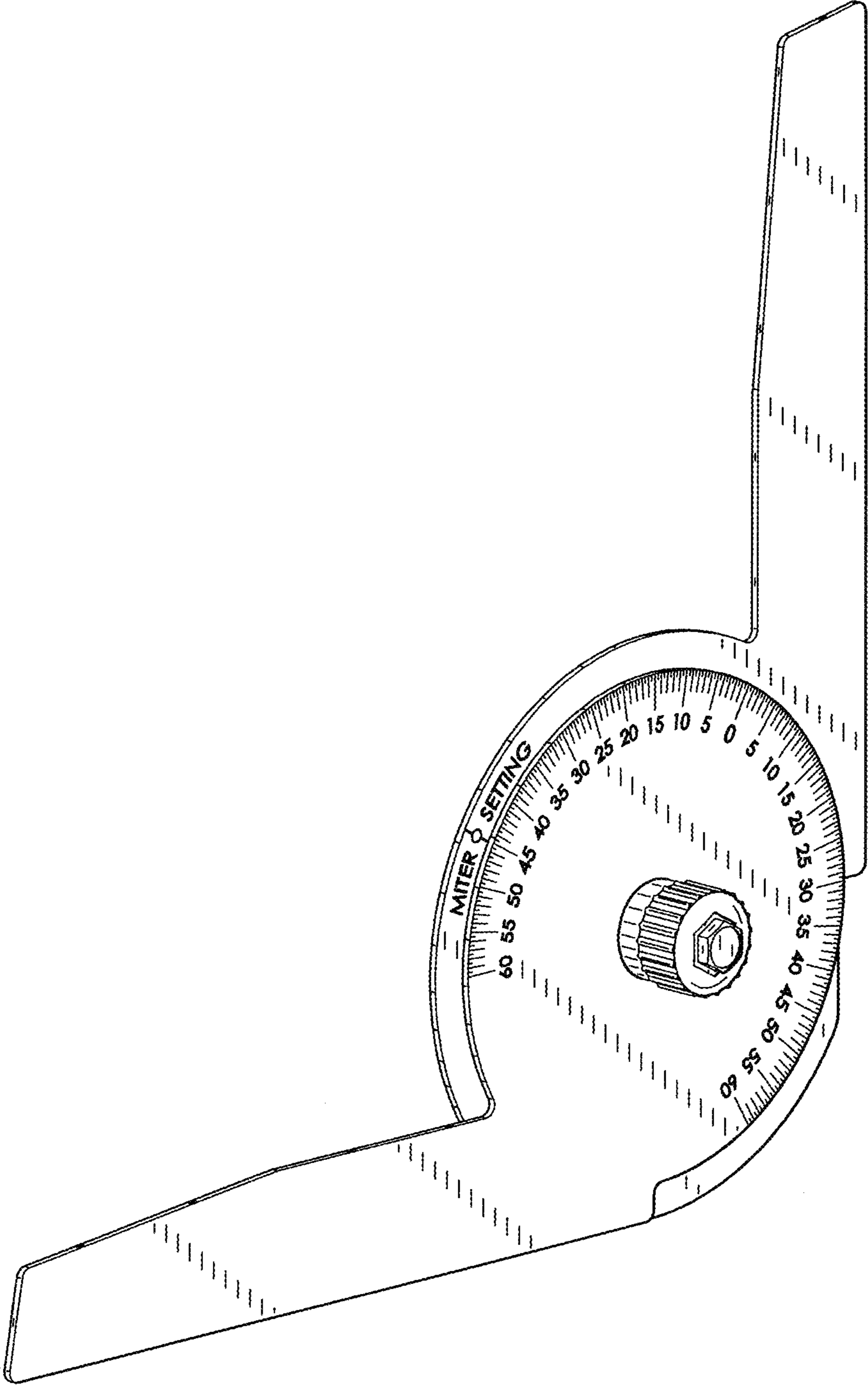


FIG. 1

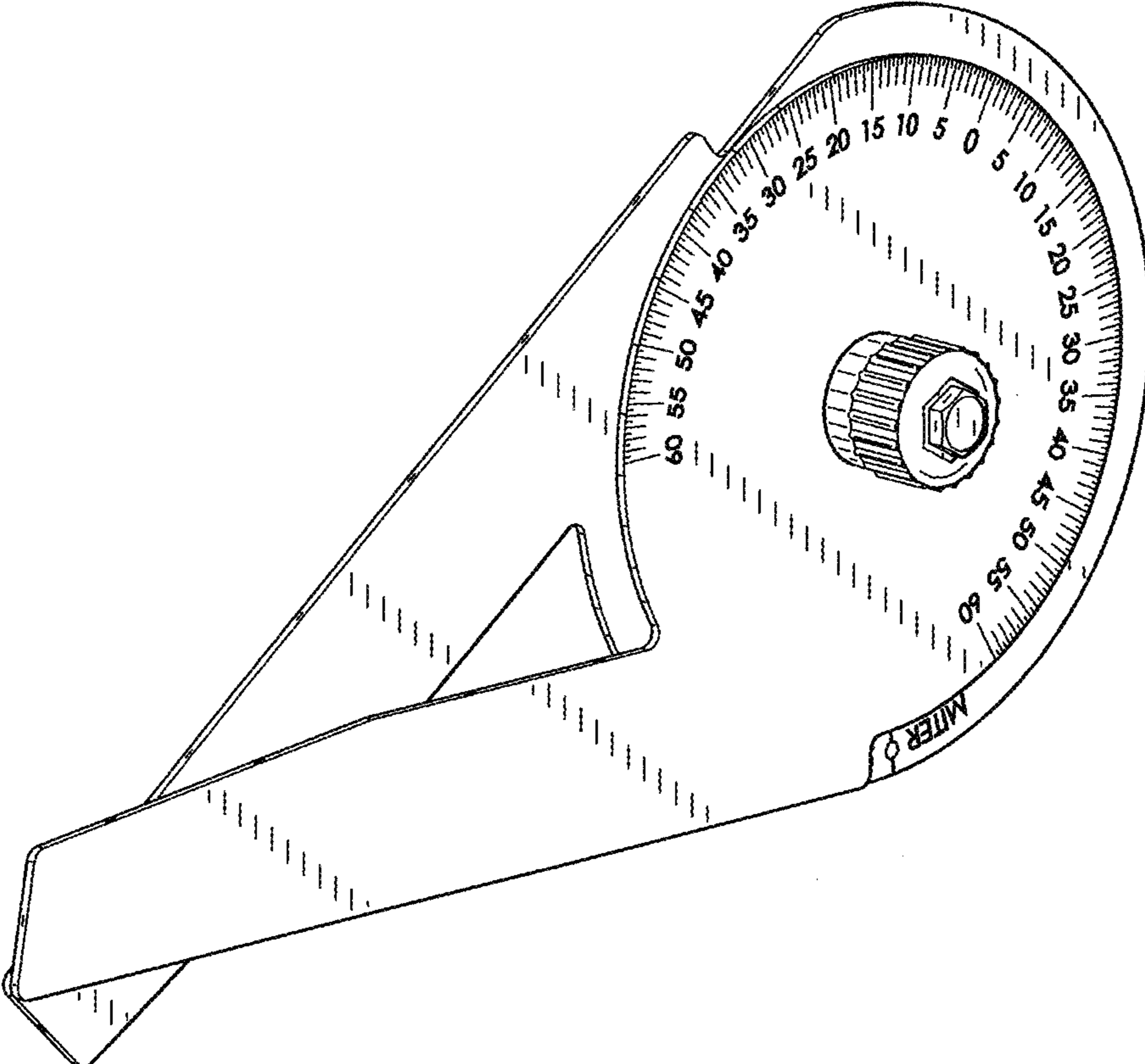


FIG. 2

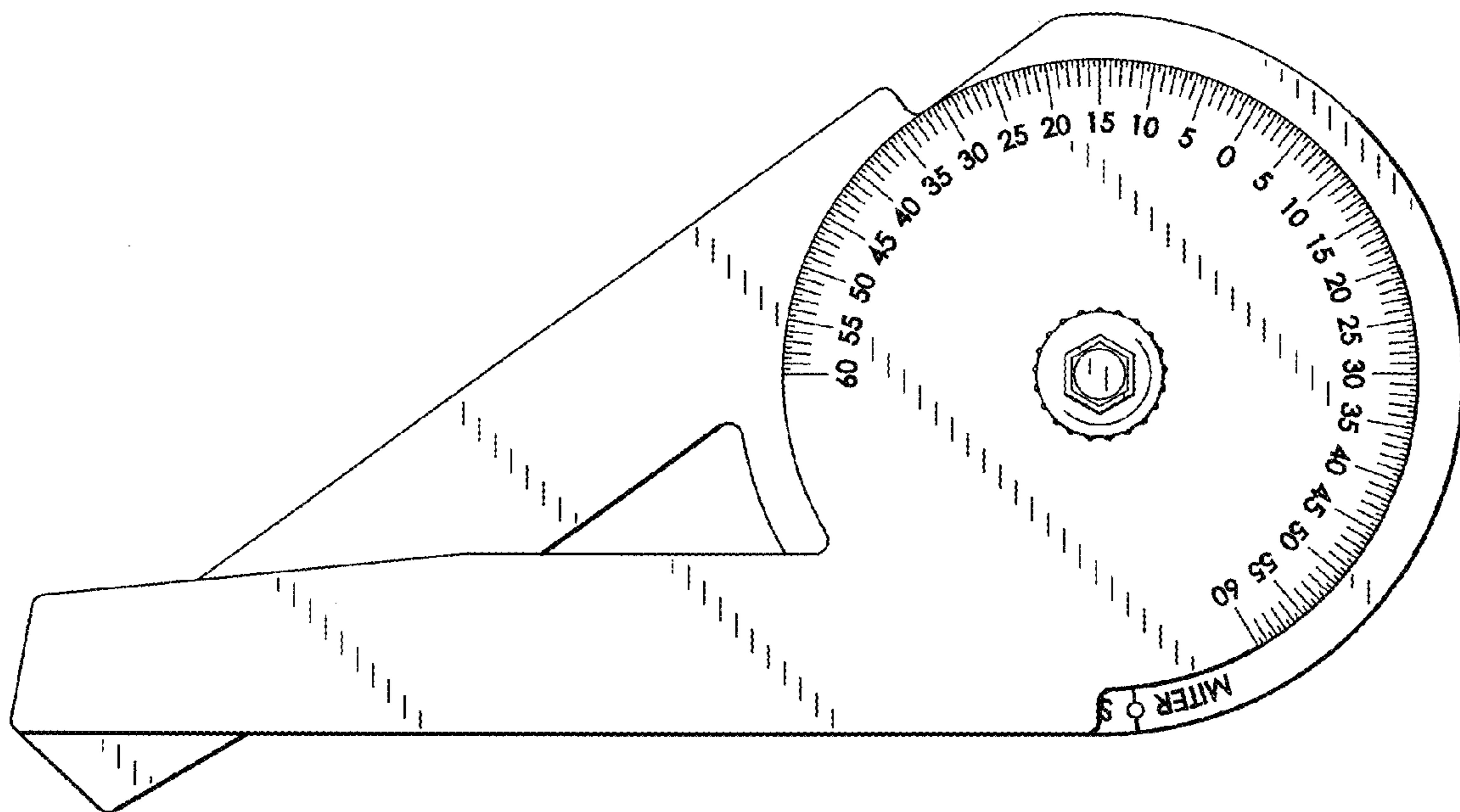


FIG. 3

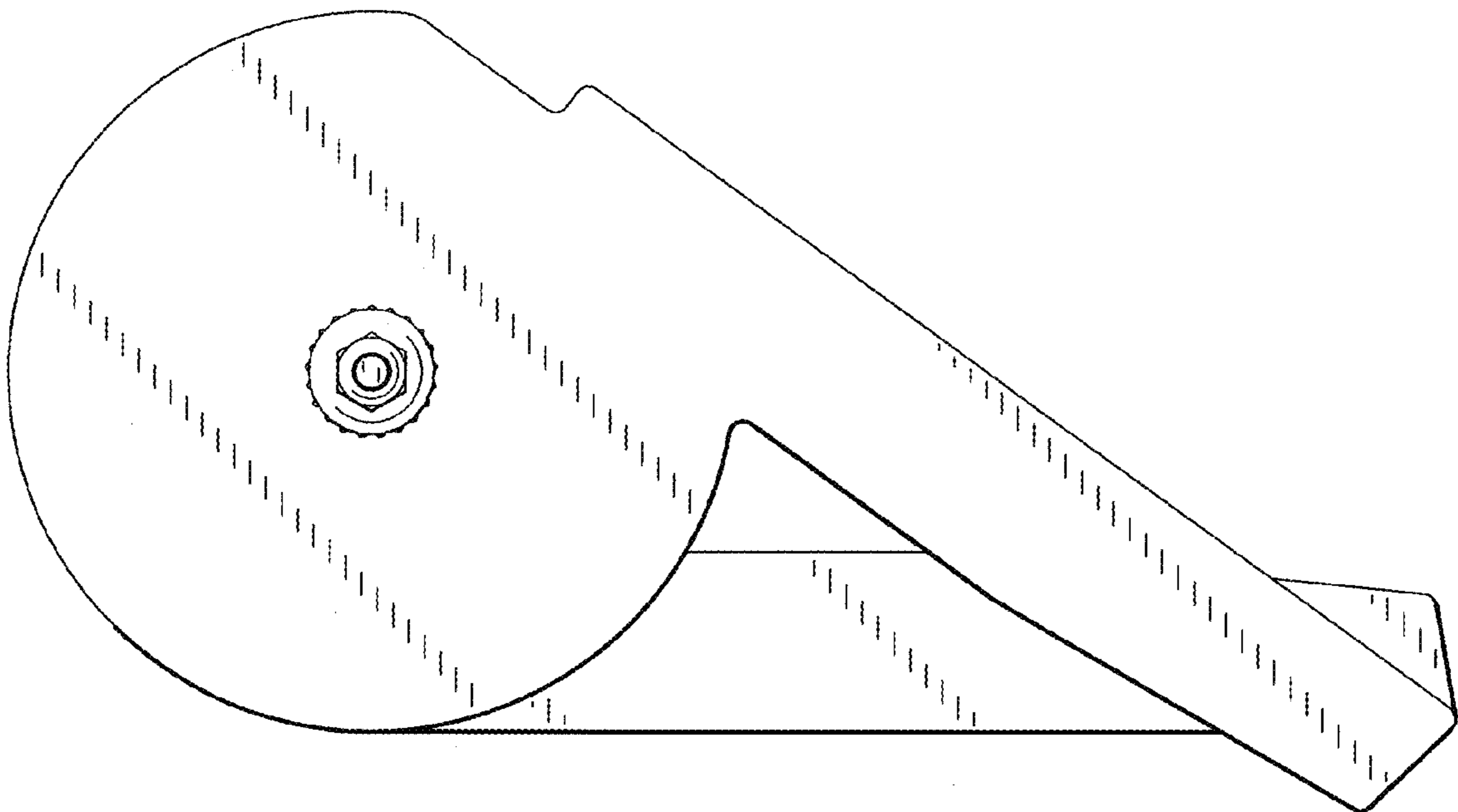


FIG. 4

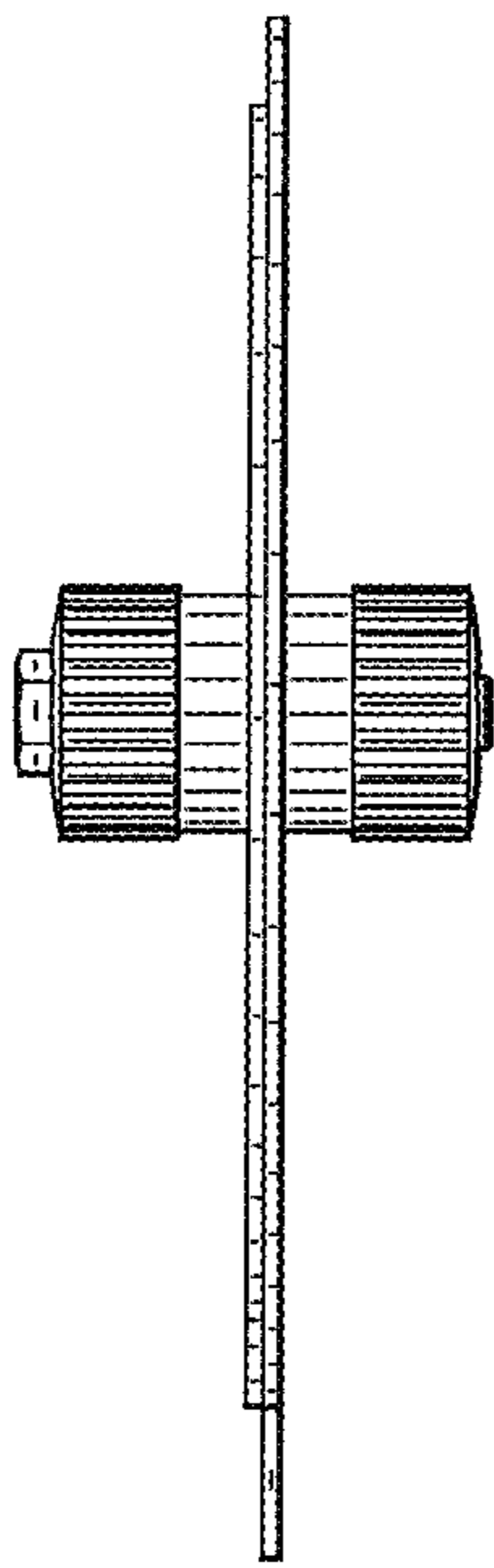


FIG. 5

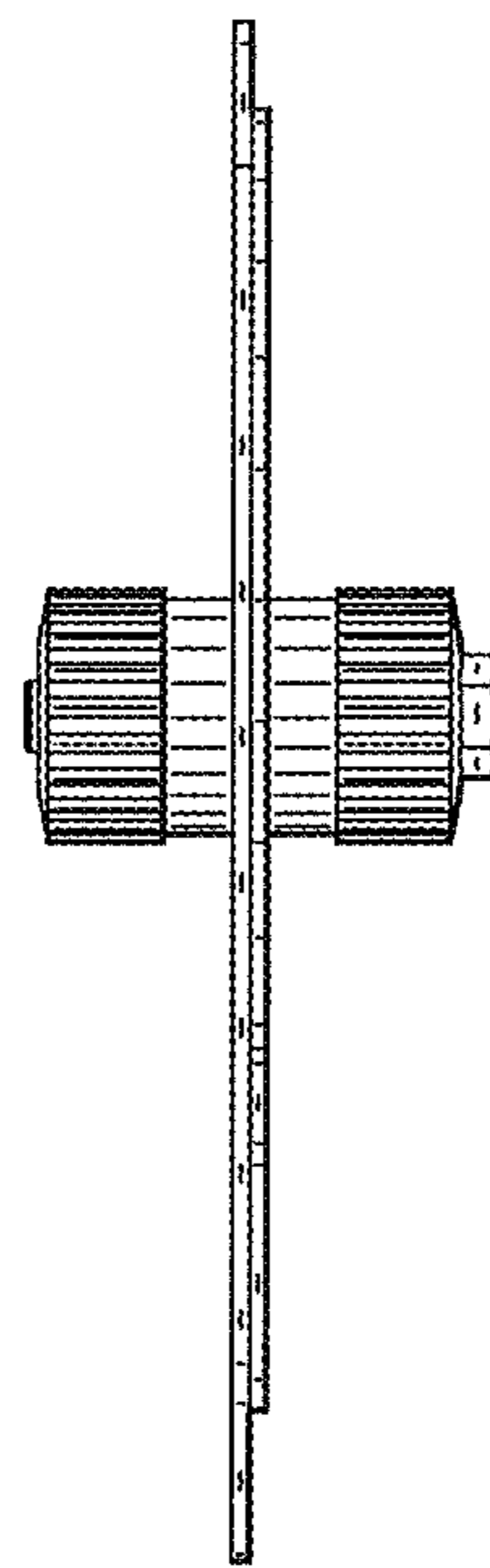


FIG. 6

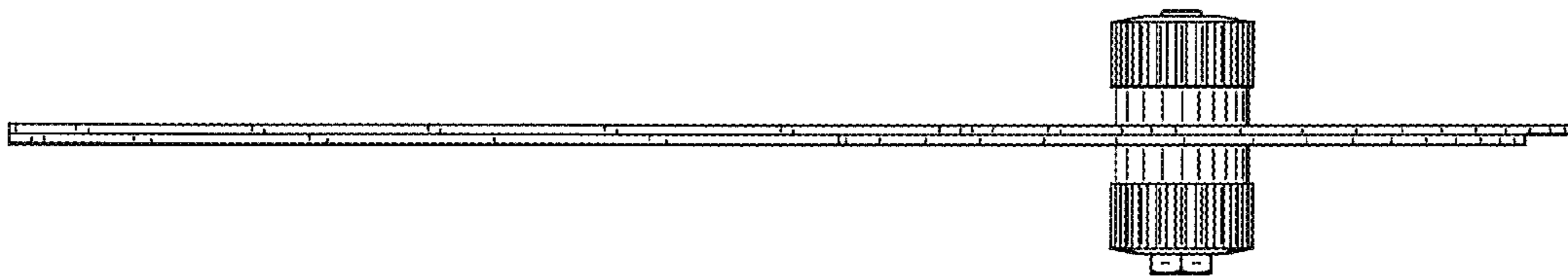


FIG. 7

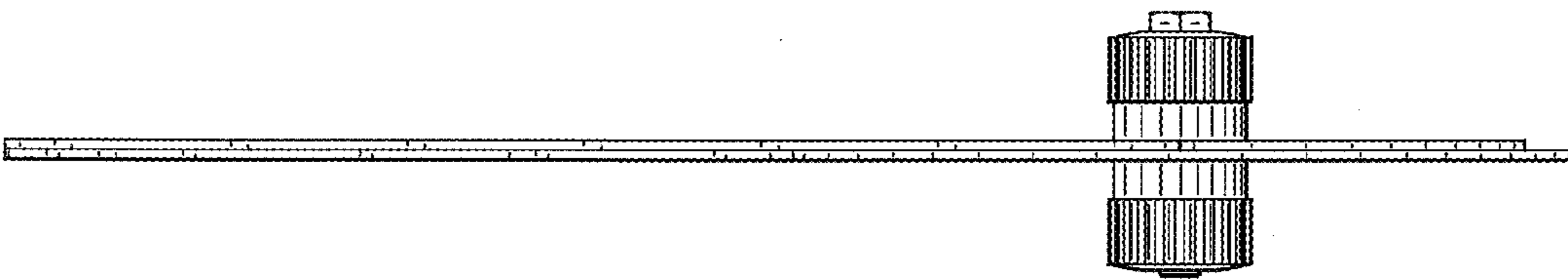


FIG. 8