



US00D756814S

(12) **United States Design Patent**
Pankewich, Jr. et al.

(10) **Patent No.:** **US D756,814 S**
(45) **Date of Patent:** **** May 24, 2016**

(54) **SENSOR HOUSING**

(71) Applicant: **Garmin Switzerland GmbH**,
Schaffhausen (CH)

(72) Inventors: **Walter S. Pankewich, Jr.**, Spring Hill,
KS (US); **Carl Masters**, Lawrence, KS
(US); **Stephen W. Connor**, Overland
Park, KS (US)

(73) Assignee: **Garmin Switzerland GmbH** (CH)

(**) Term: **14 Years**

(21) Appl. No.: **29/518,506**

(22) Filed: **Feb. 24, 2015**

(51) **LOC (10) Cl.** **10-04**

(52) **U.S. Cl.**
USPC **D10/65; D10/70; D10/97**

(58) **Field of Classification Search**
USPC D10/65, 70, 78, 97, 98
CPC A63B 69/00; A63B 69/3632; A63B
69/0026; A63B 69/3611; A63B 69/3685;
A63B 69/38; A63B 2069/0006; A63B
2069/0008; A63B 2071/0647; A63B 2220/40;
A63B 2220/803; A63B 2220/833; A63B
2225/50; A63B 2243/0075; G01P 15/00
See application file for complete search history.

(56) **References Cited**

U.S. PATENT DOCUMENTS

D715,665 S * 10/2014 Park D10/70
D715,666 S * 10/2014 Park D10/70

D727,181 S * 4/2015 Papadourakis D10/65
D732,989 S * 6/2015 Ogihara D10/70
D744,882 S * 12/2015 Jung D10/70

OTHER PUBLICATIONS

Printout from <http://www.golfskypro.com/skypro>, published prior to
Feb. 23, 2015.

Printout from <http://myswing.com>, published prior to Feb. 23, 2015.

Printout from <http://pluggedingofl.com/swingsmart-duo-review/>,
published prior to Feb. 23, 2015.

* cited by examiner

Primary Examiner — Antoine D Davis

(74) *Attorney, Agent, or Firm* — Samuel M. Korte; Max M.
Ali

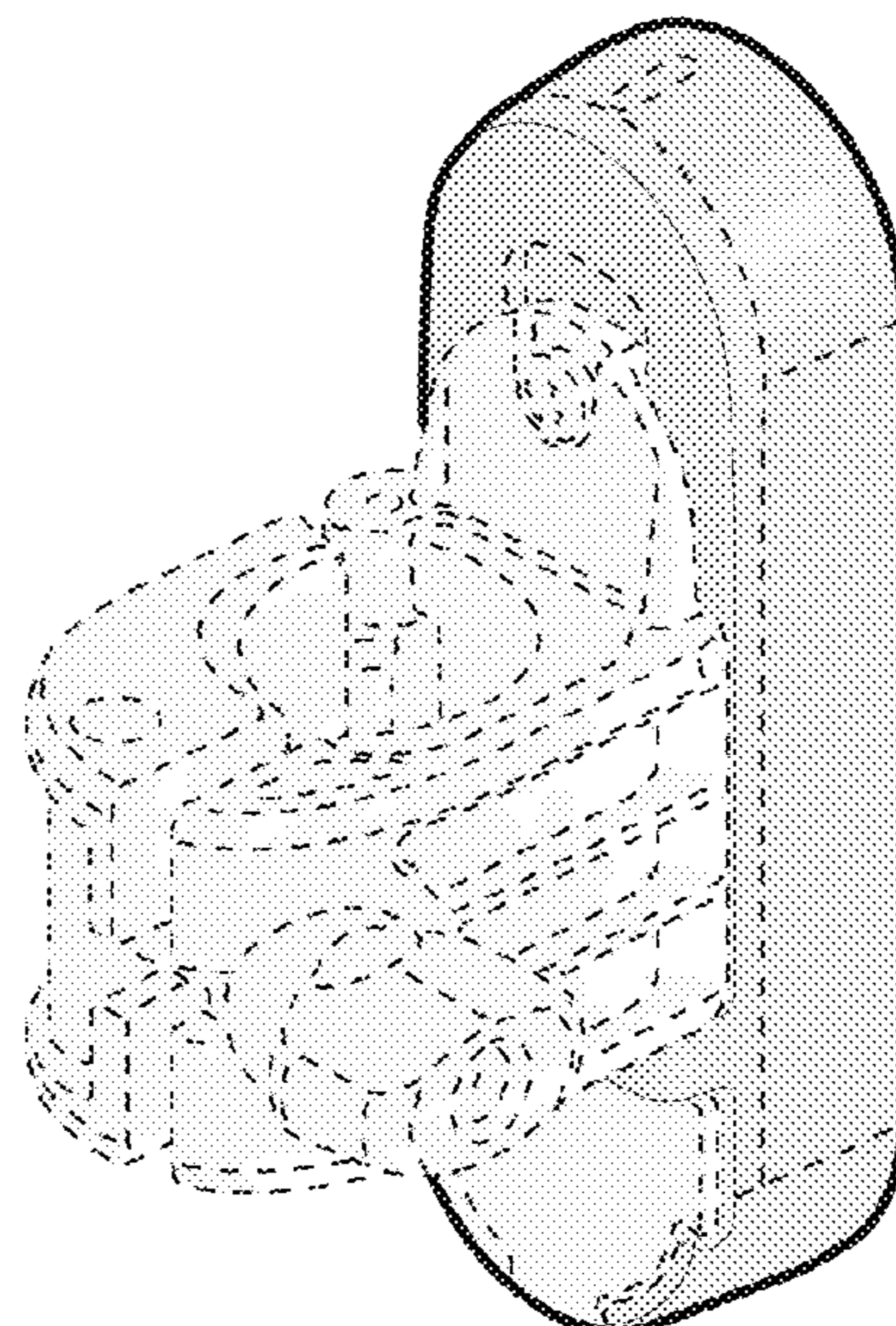
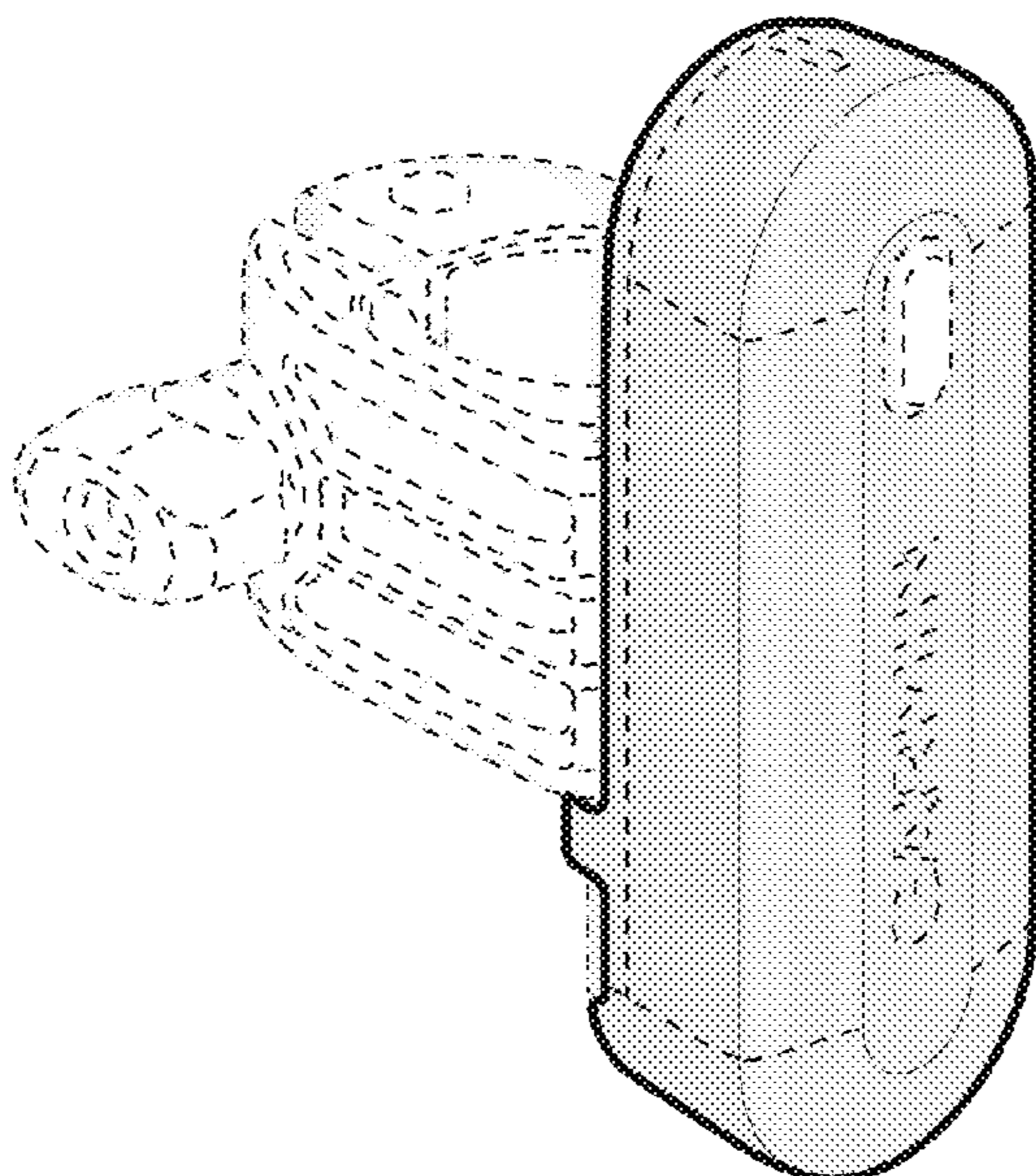
(57) **CLAIM**

The ornamental design for a sensor housing, as shown and
described.

DESCRIPTION

FIG. 1 is a front perspective view of a sensor housing accord-
ing to embodiments of the present invention;
FIG. 2 is a rear perspective view of the sensor housing;
FIG. 3 is a top view of the sensor housing;
FIG. 4 is a front view of the sensor housing;
FIG. 5 is a bottom view of the sensor housing;
FIG. 6 is a rear view of the sensor housing;
FIG. 7 is a left side view of the sensor housing; and,
FIG. 8 is a right side view of the sensor housing.
Portions of FIGS. 1 through 8 are shown in dashed lines for
illustrative purposes only and form no part of the claimed
design.

1 Claim, 3 Drawing Sheets



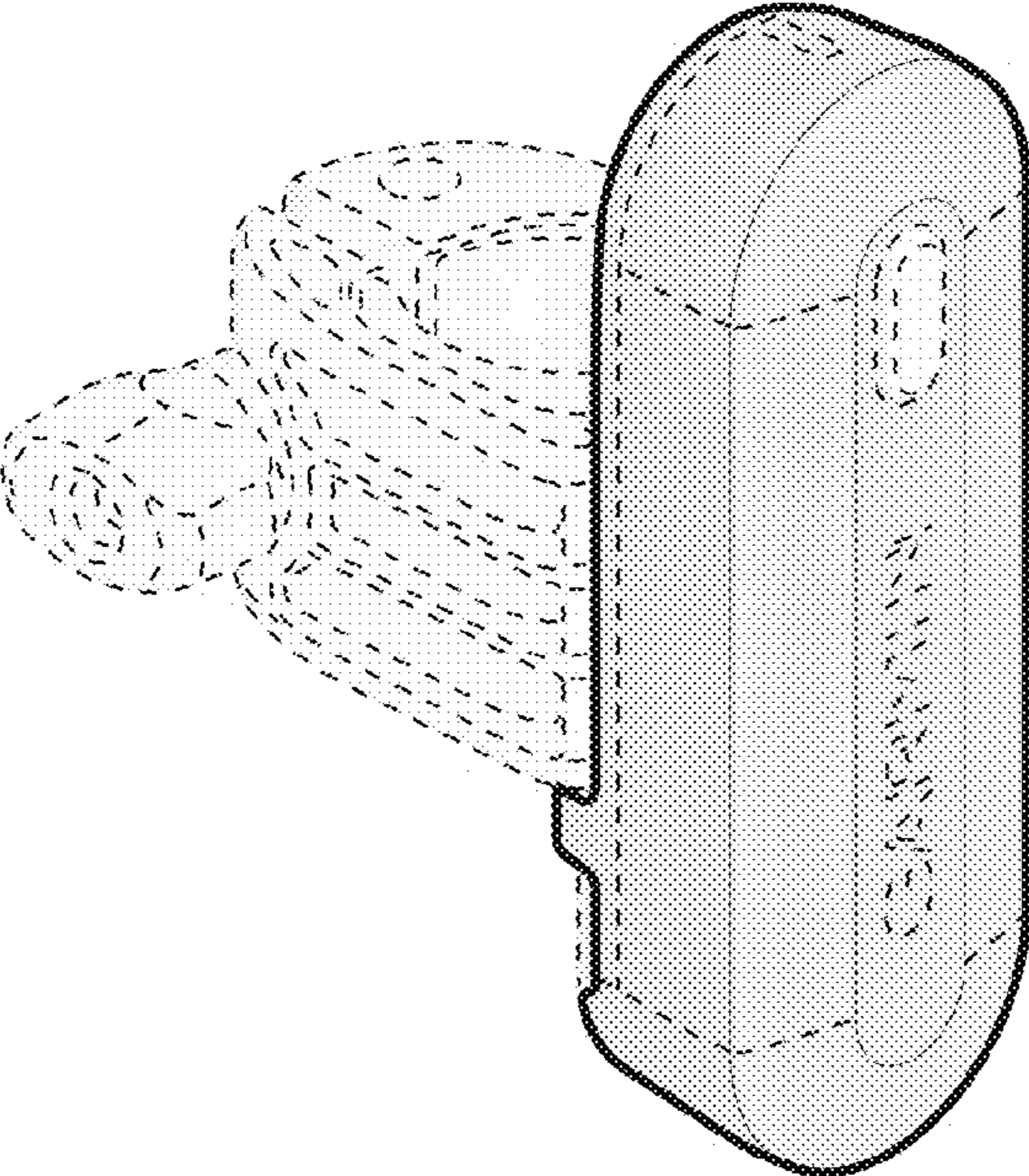


Fig. 1

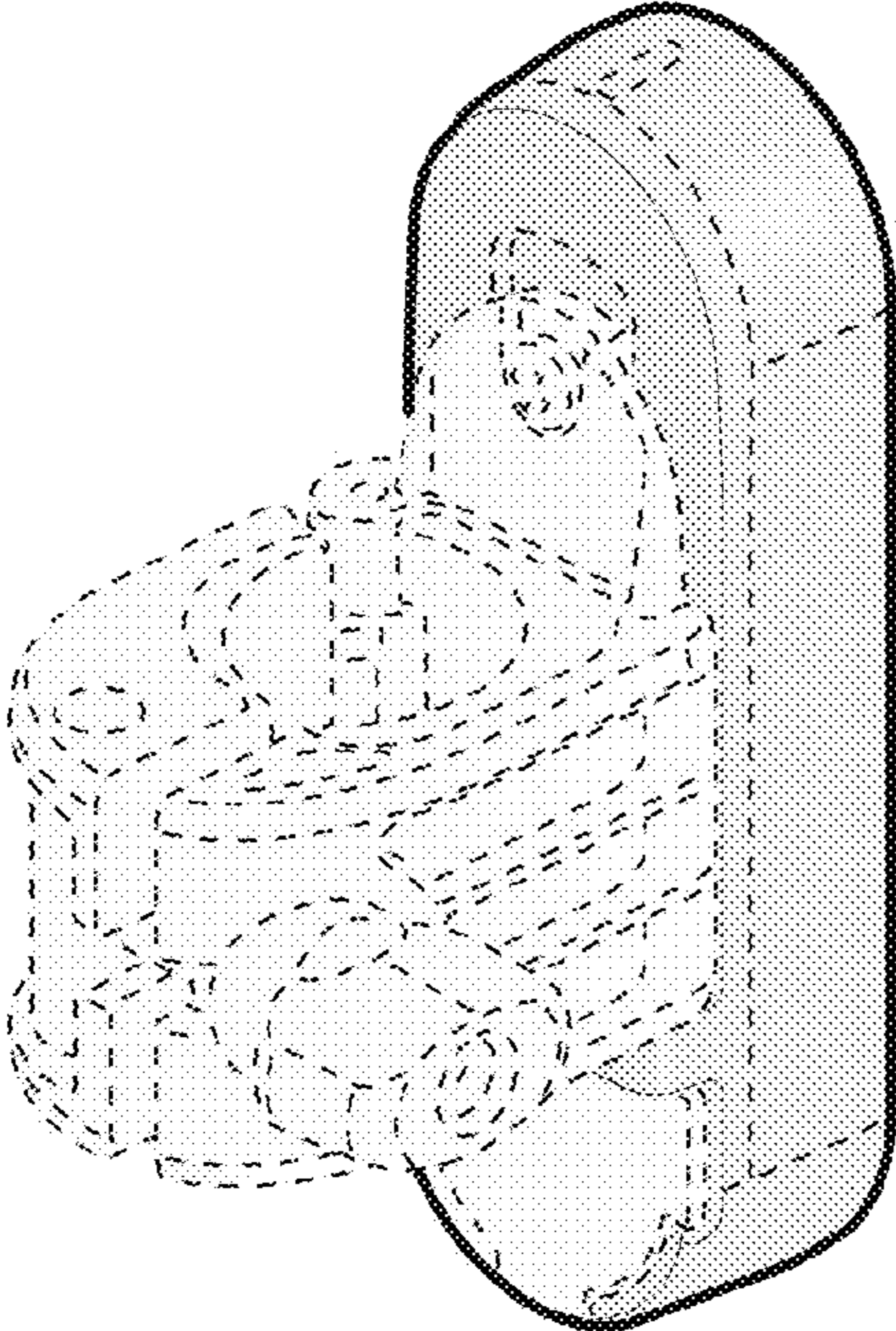


Fig. 2

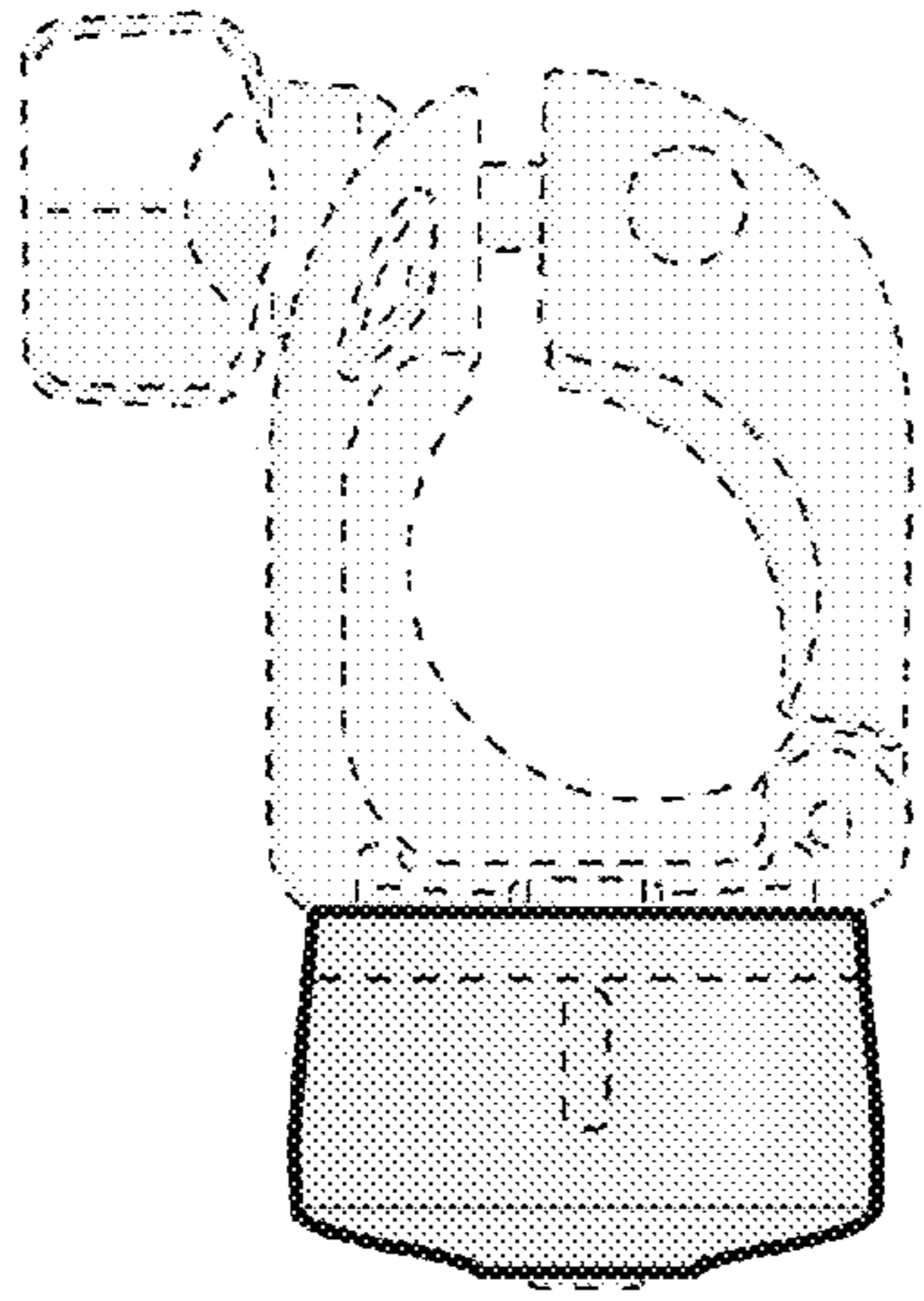


Fig. 3

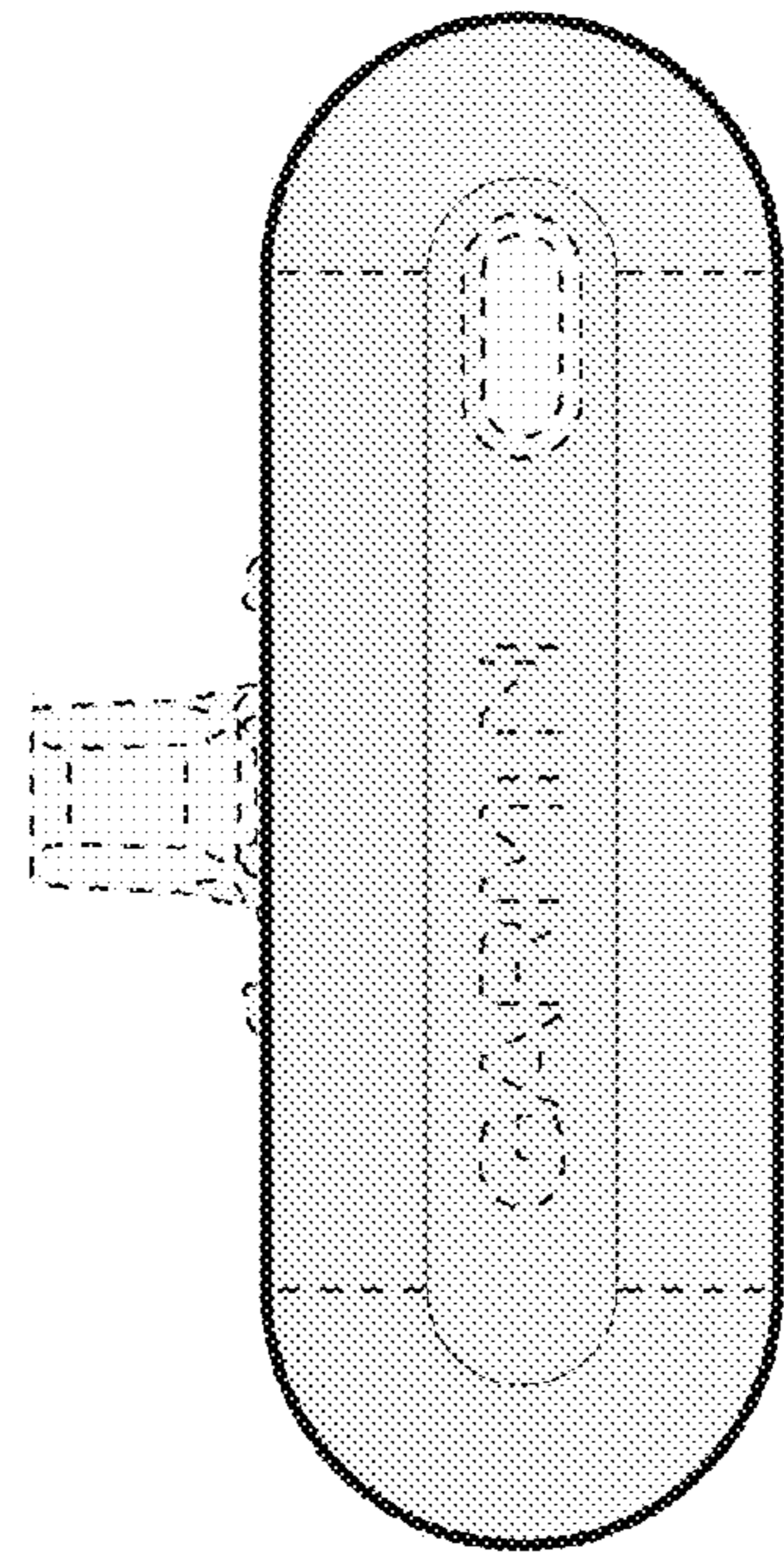


Fig. 4

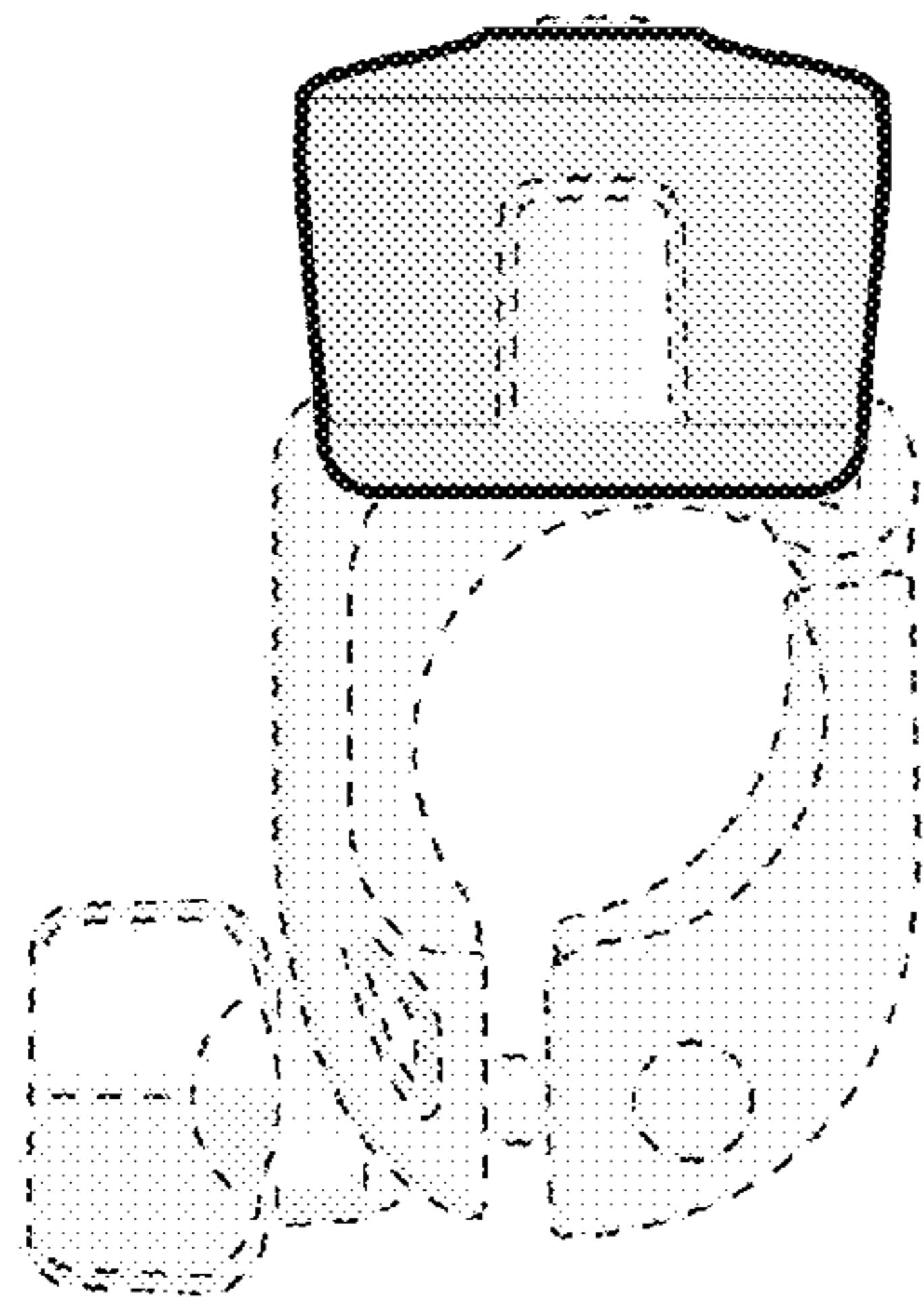


Fig. 5

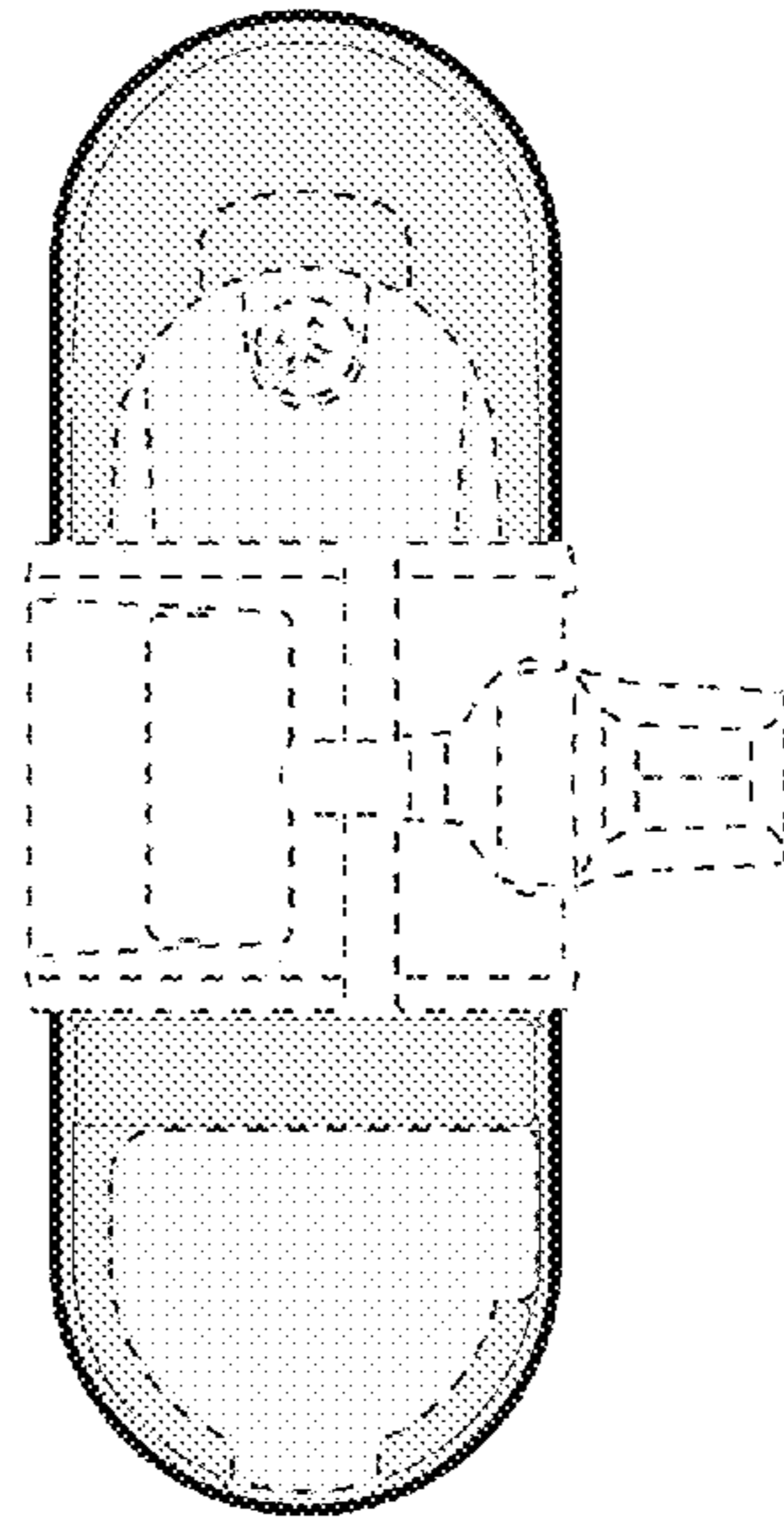


Fig. 6

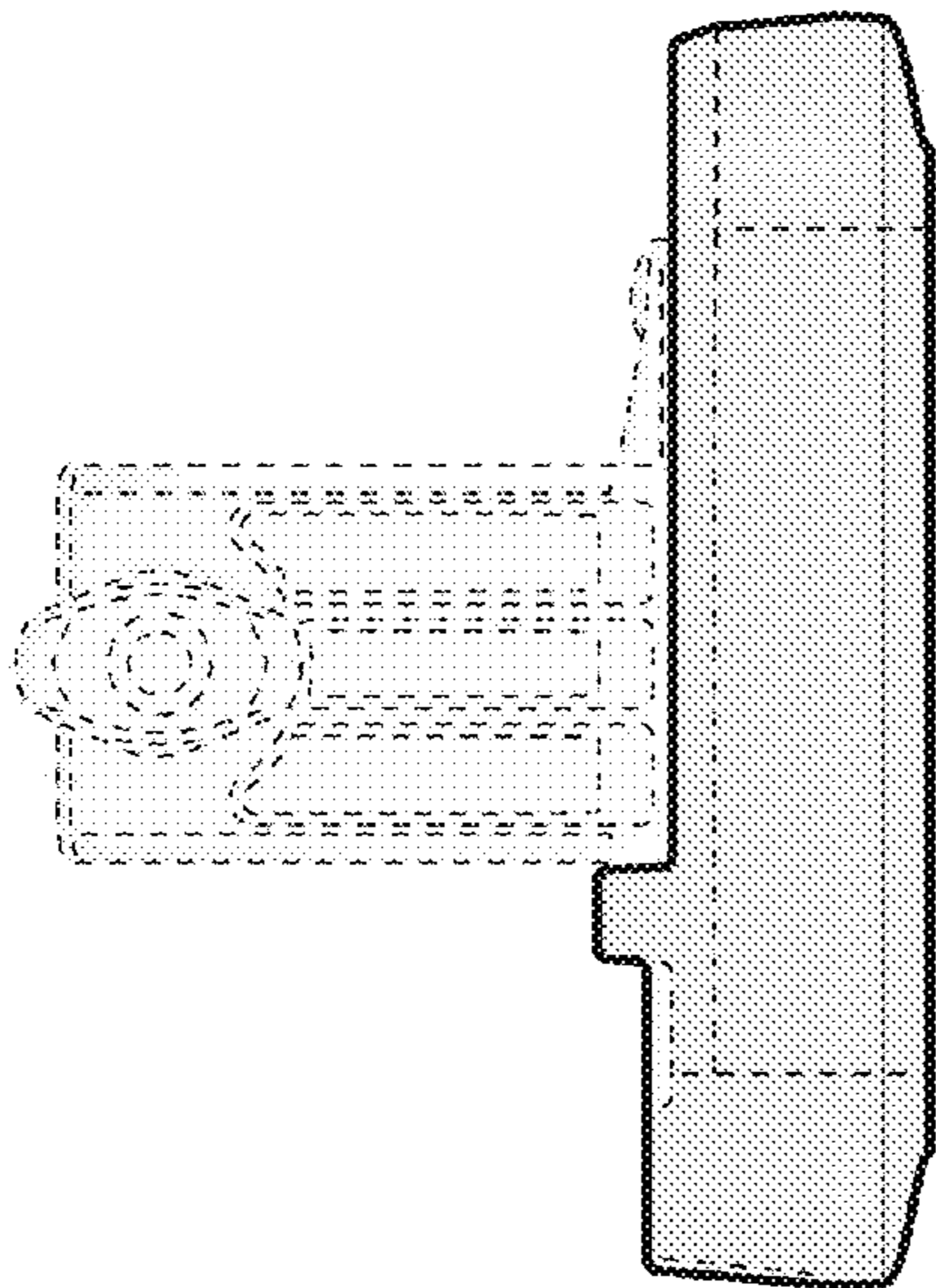


Fig. 7

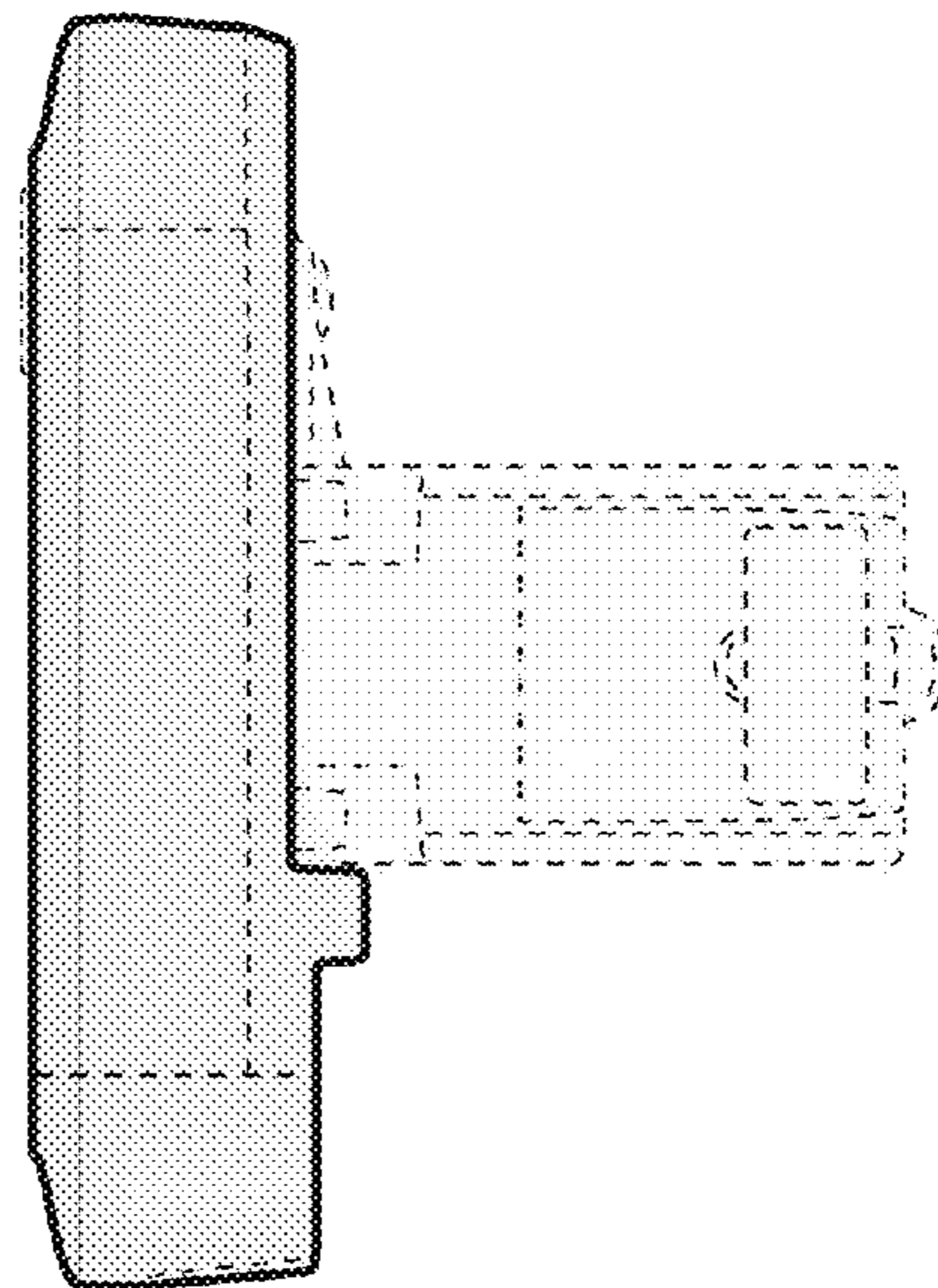


Fig. 8