



US00D756813S

(12) **United States Design Patent**
Ueland et al.

(10) **Patent No.:** **US D756,813 S**

(45) **Date of Patent:** **** May 24, 2016**

(54) **LASER BASED POSITIONING SENSOR**

(71) Applicant: **Kongsberg Seatex AS**, Trondheim (NO)

(72) Inventors: **Gard Flemming Ueland**, Trondheim (NO); **John O. Klepsvik**, Flataasen (NO); **Harald Fossum Rosshaug**, Oppdal (NO)

(73) Assignee: **Kongsberg Seatex AS**, Trondheim (NO)

(**) Term: **14 Years**

(21) Appl. No.: **29/509,553**

(22) Filed: **Nov. 19, 2014**

(30) **Foreign Application Priority Data**

May 21, 2014 (NO) 20140438

(51) **LOC (10) Cl.** **10-04**

(52) **U.S. Cl.**
USPC **D10/65; D10/70**

(58) **Field of Classification Search**
USPC D10/65, 70
CPC .. G01C 15/002; G01C 15/004; G01C 15/006;
G01C 15/008; G01C 15/02
See application file for complete search history.

(56) **References Cited**

U.S. PATENT DOCUMENTS

5,144,486 A * 9/1992 Hart G01C 15/004
356/138
D628,103 S * 11/2010 Schmalz D10/106.6

D640,579 S * 6/2011 Olzak D10/46
D731,906 S * 6/2015 Troutman D10/70
2005/0117153 A1 * 6/2005 Kishi G01C 15/002
356/399
2015/0085079 A1 * 3/2015 Gittinger G06T 3/0087
348/46

* cited by examiner

Primary Examiner — Antoine D Davis

(74) *Attorney, Agent, or Firm* — Alix, Yale & Ristas, LLP

(57) **CLAIM**

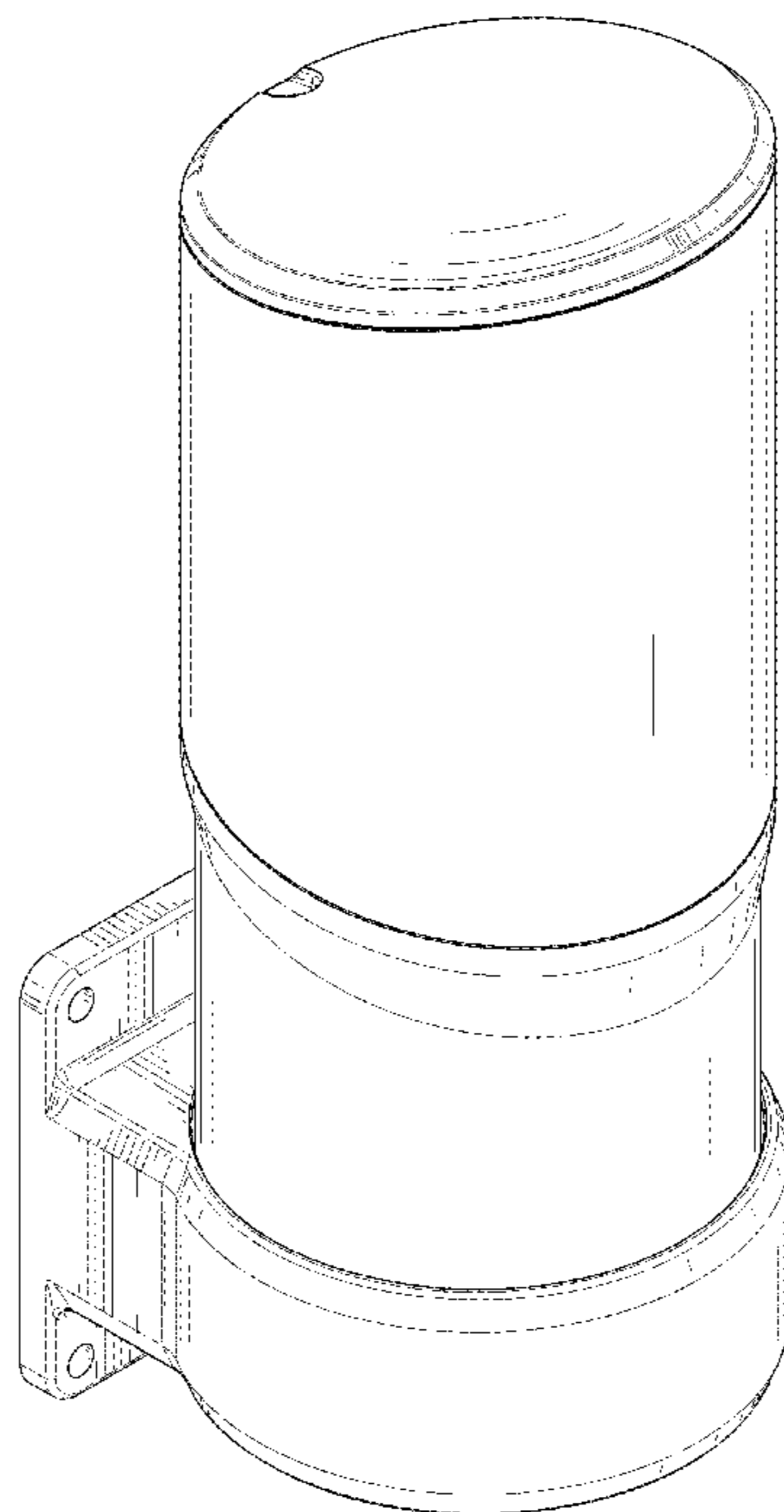
The ornamental design for the laser based positioning sensor, as shown and described.

DESCRIPTION

FIG. 1 is a front perspective view of the laser based positioning sensor;
FIG. 2 is a front elevation view of the laser based positioning sensor of FIG. 1;
FIG. 3 is a left side elevation view of the laser based positioning sensor of FIG. 1, relative to the view of FIG. 2;
FIG. 4 is a right side elevation view of the laser based positioning sensor of FIG. 1, relative to the view of FIG. 2;
FIG. 5 is a rear end elevation view of the laser based positioning sensor of FIG. 1;
FIG. 6 is a top view of the laser based positioning sensor of FIG. 1; and,
FIG. 7 is a bottom view of the laser based positioning sensor of FIG. 1.

The broken line showing of structural features is included for the purpose of illustrating non-claimed subject matter and forms no part of the claimed design.

1 Claim, 6 Drawing Sheets



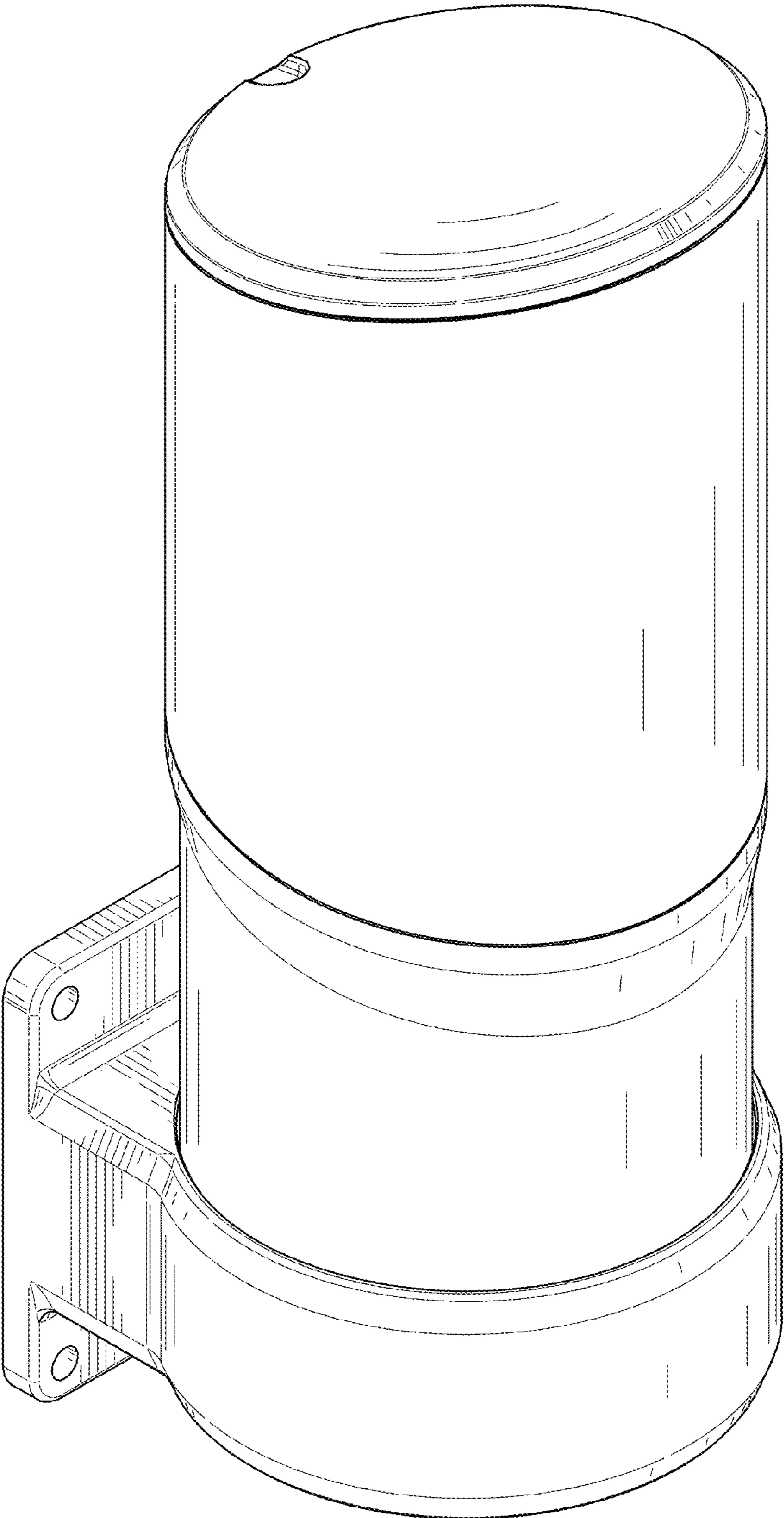


FIG. 1

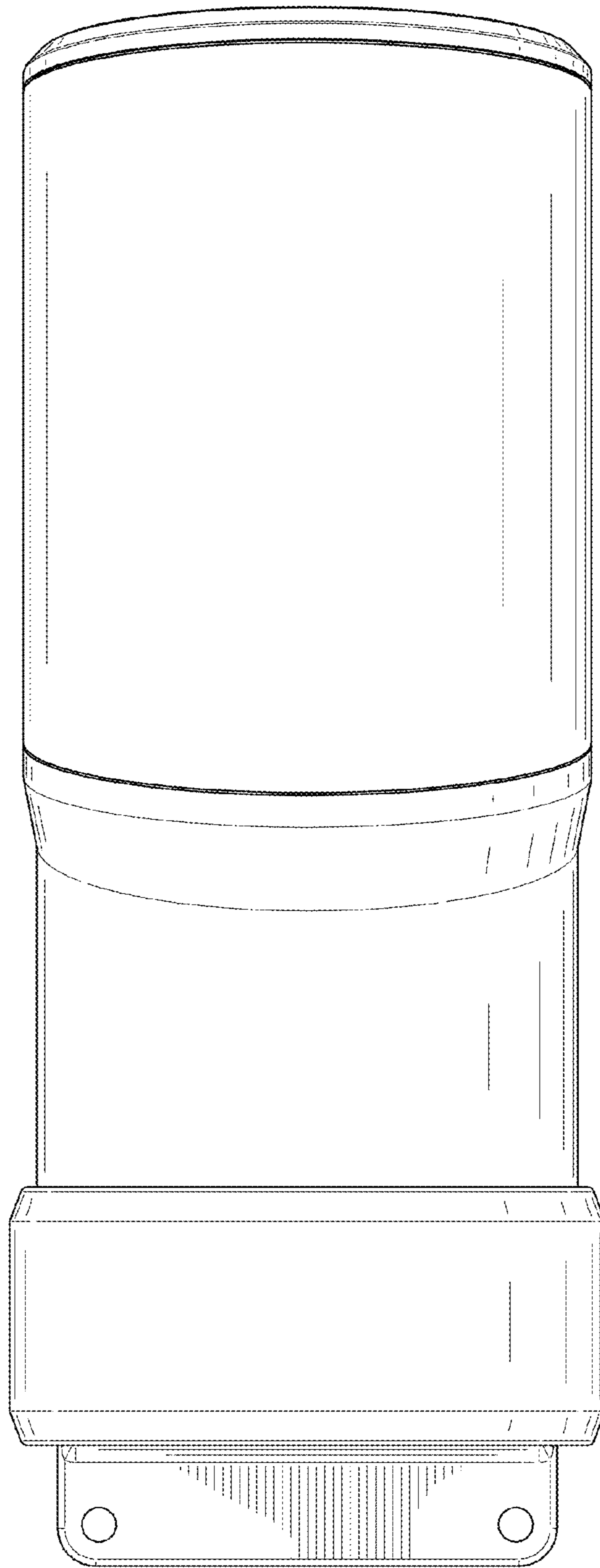


FIG. 2

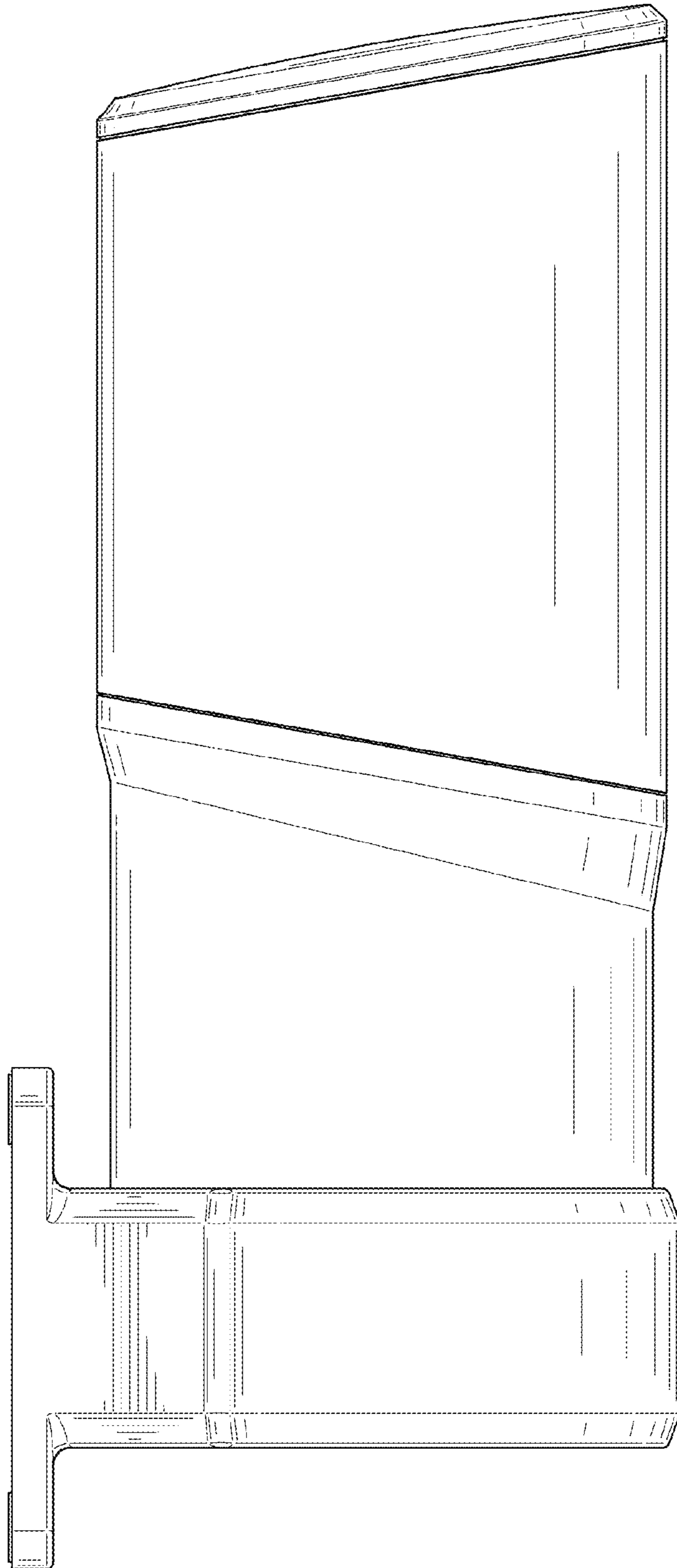


FIG. 3

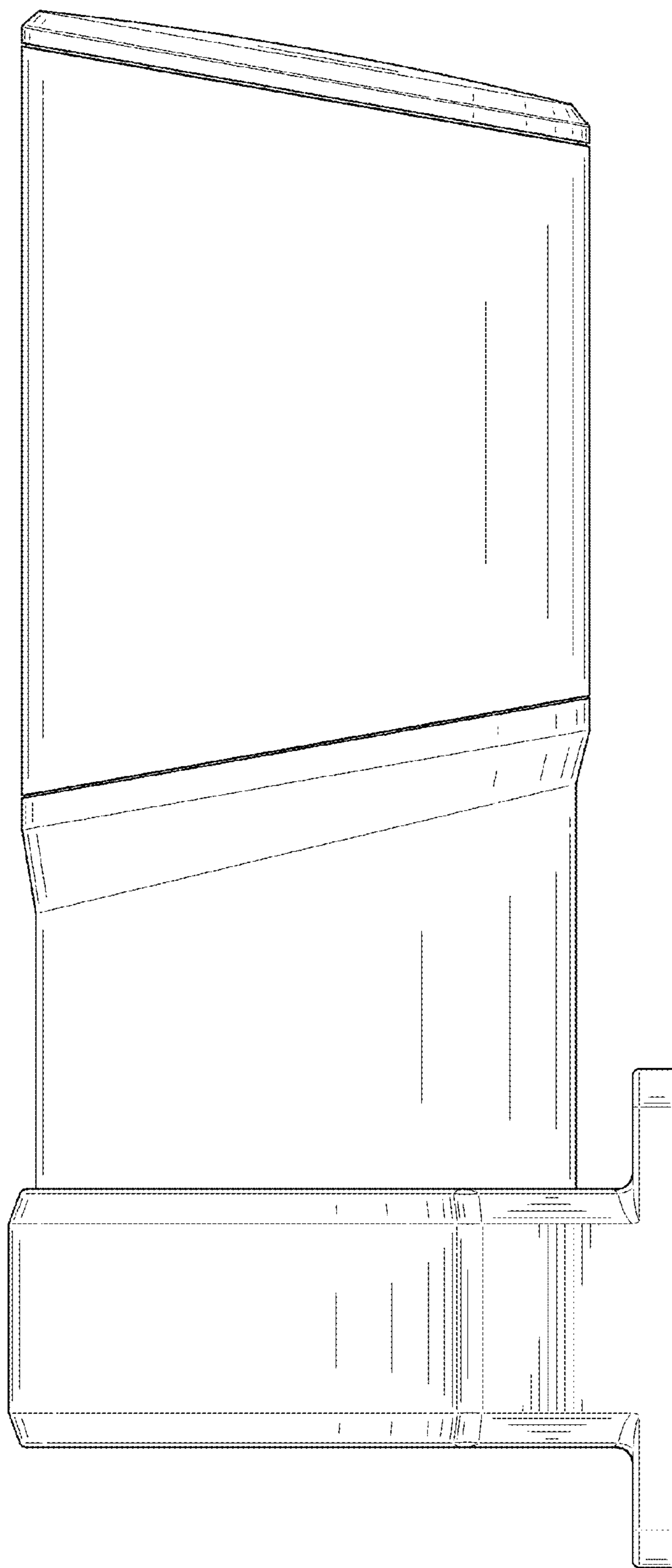


FIG. 4

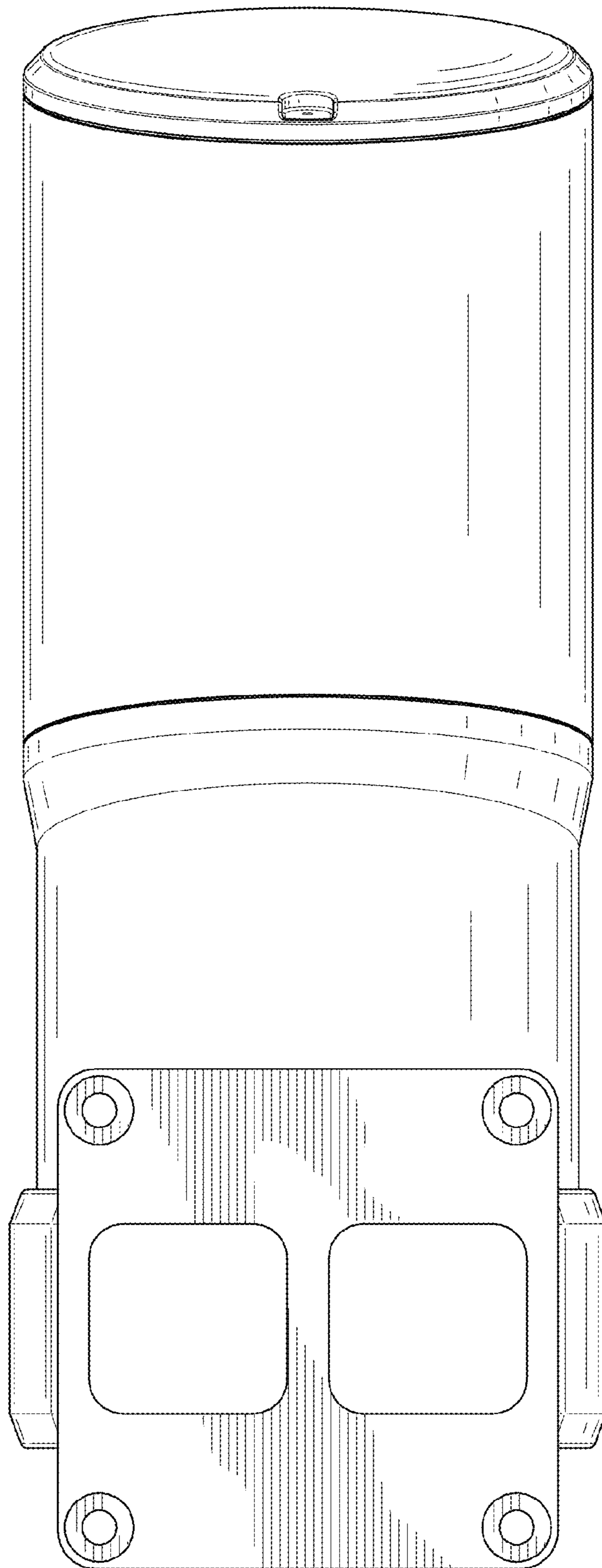


FIG. 5

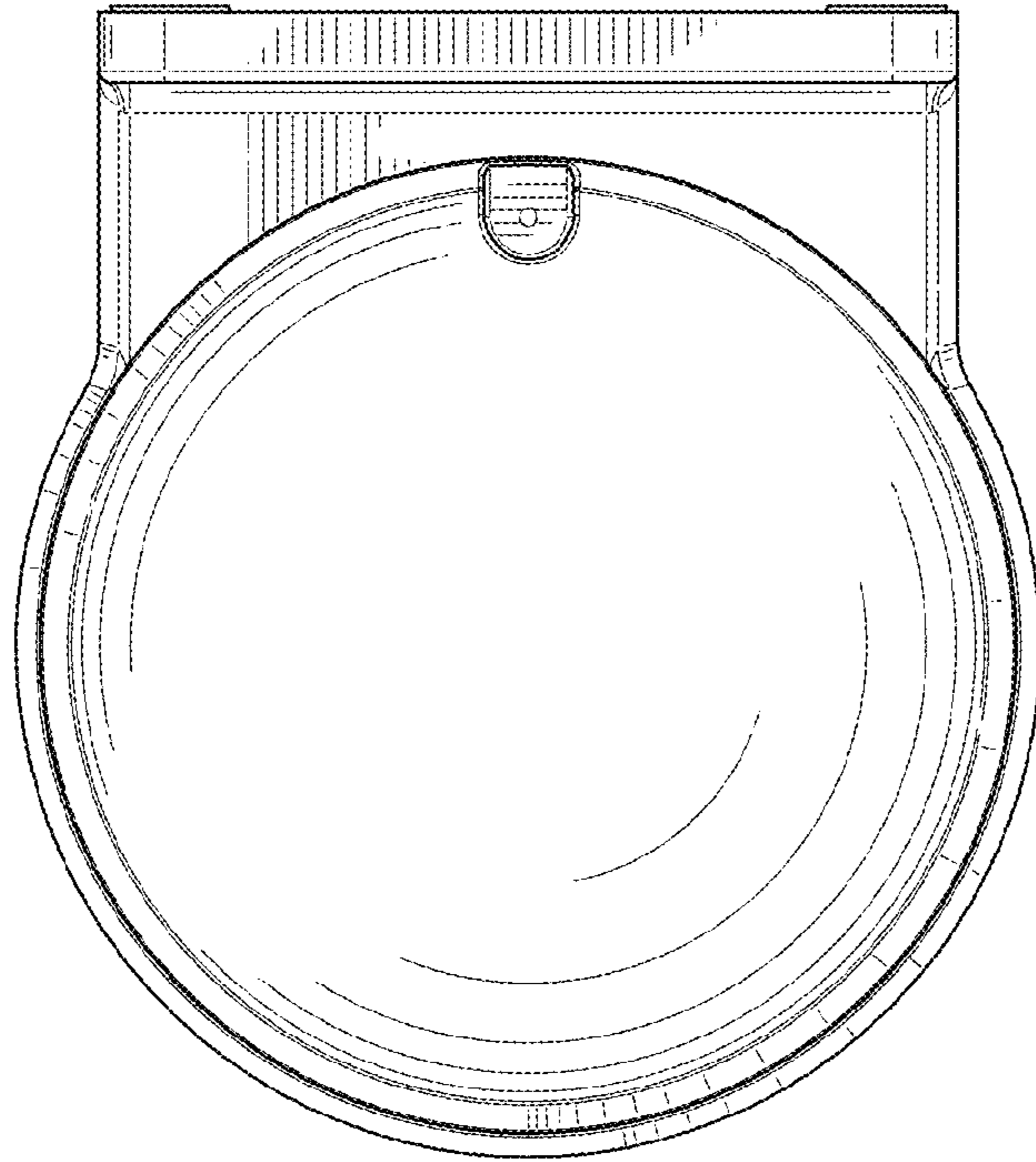


FIG. 6

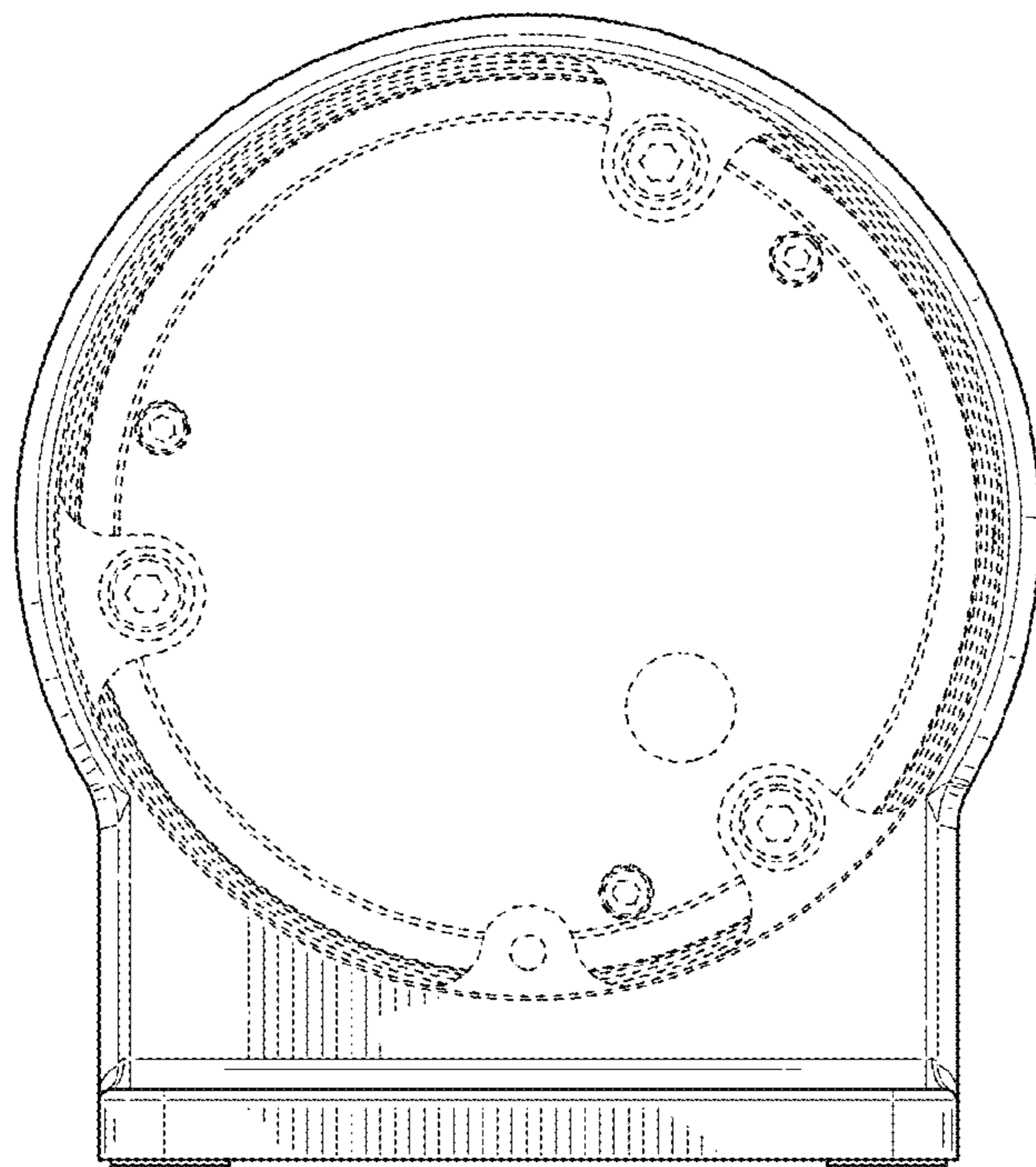


FIG. 7