



US00D756810S

(12) **United States Design Patent**
Pateel

(10) **Patent No.:** **US D756,810 S**

(45) **Date of Patent:** **** May 24, 2016**

(54) **TEMPERATURE INDICATING CRAYON
HOLDER WITH HEXAGON COLLET**

(71) Applicant: **Yerriswamy Pateel**, Bangalore (IN)

(72) Inventor: **Yerriswamy Pateel**, Bangalore (IN)

(**) Term: **14 Years**

(21) Appl. No.: **29/501,897**

(22) Filed: **Sep. 9, 2014**

(51) **LOC (10) Cl.** **10-04**

(52) **U.S. Cl.**
USPC **D10/52; D10/60**

(58) **Field of Classification Search**
USPC **D10/52, 60**
CPC **G01J 5/02; G01J 5/00; G01J 5/0887;**
G01J 5/0996; G01J 5/04; G01J 5/041; G01K
1/08; G01K 1/14; G01K 1/143
See application file for complete search history.

(56) **References Cited**

U.S. PATENT DOCUMENTS

D636,688 S	4/2011	Pateel	
2002/0172257 A1 *	11/2002	Walls et al.	374/158
2009/0022205 A1 *	1/2009	Comendant	374/161
2010/0238973 A1 *	9/2010	Gilchrist et al.	374/208
2013/0209949 A1 *	8/2013	Saito et al.	432/36
2014/0036960 A1 *	2/2014	Middleton et al.	374/208
2014/0185652 A1 *	7/2014	Kim et al.	374/208

* cited by examiner

Primary Examiner — Antoine D Davis

(74) *Attorney, Agent, or Firm* — The Patel Law Firm, PC;
Natu J. Patel

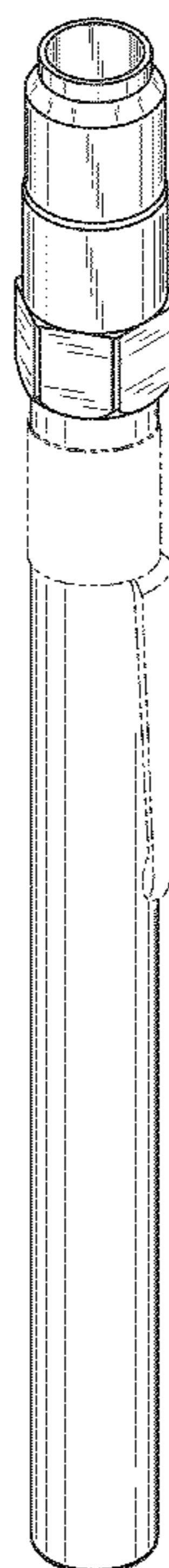
(57) **CLAIM**

The ornamental design for a temperature indicating crayon holder with hexagon collet, as shown and described.

DESCRIPTION

FIG. 1 is a perspective view of a temperature indicating crayon holder with hexagon collet according to an embodiment of the present design;
FIG. 2 is an elevation view thereof;
FIG. 3 is a top plan view thereof;
FIG. 4 is a bottom plan view thereof;
FIG. 5 is a perspective view of a temperature indicating crayon holder with hexagon collet according to an alternate embodiment of the present design;
FIG. 6 is an elevation view thereof;
FIG. 7 is a top plan view thereof;
FIG. 8 is a bottom plan view thereof;
FIG. 9 is a perspective view of a temperature indicating crayon holder with hexagon collet according to an alternate embodiment of the present design;
FIG. 10 is an elevation view thereof;
FIG. 11 is a top plan view thereof; and,
FIG. 12 is a bottom plan view thereof.
In FIGS. 1-12, the portions of the temperature indicating crayon holder with hexagon collet which are shown in phantom lines are for illustrative purposes only and do not constitute a portion of the claimed design.

1 Claim, 9 Drawing Sheets



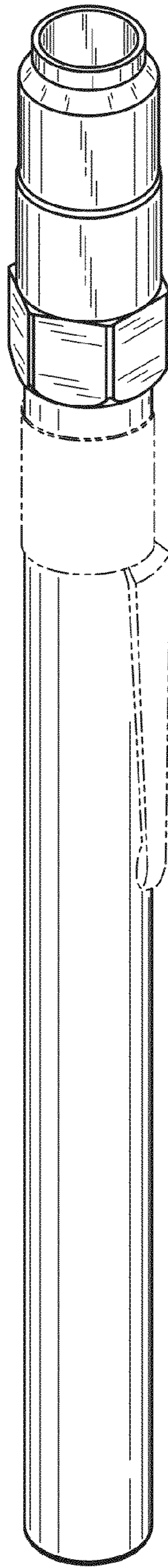


FIG. 1

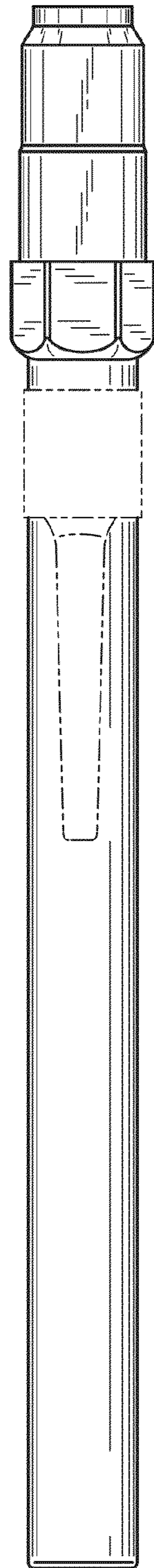


FIG. 2

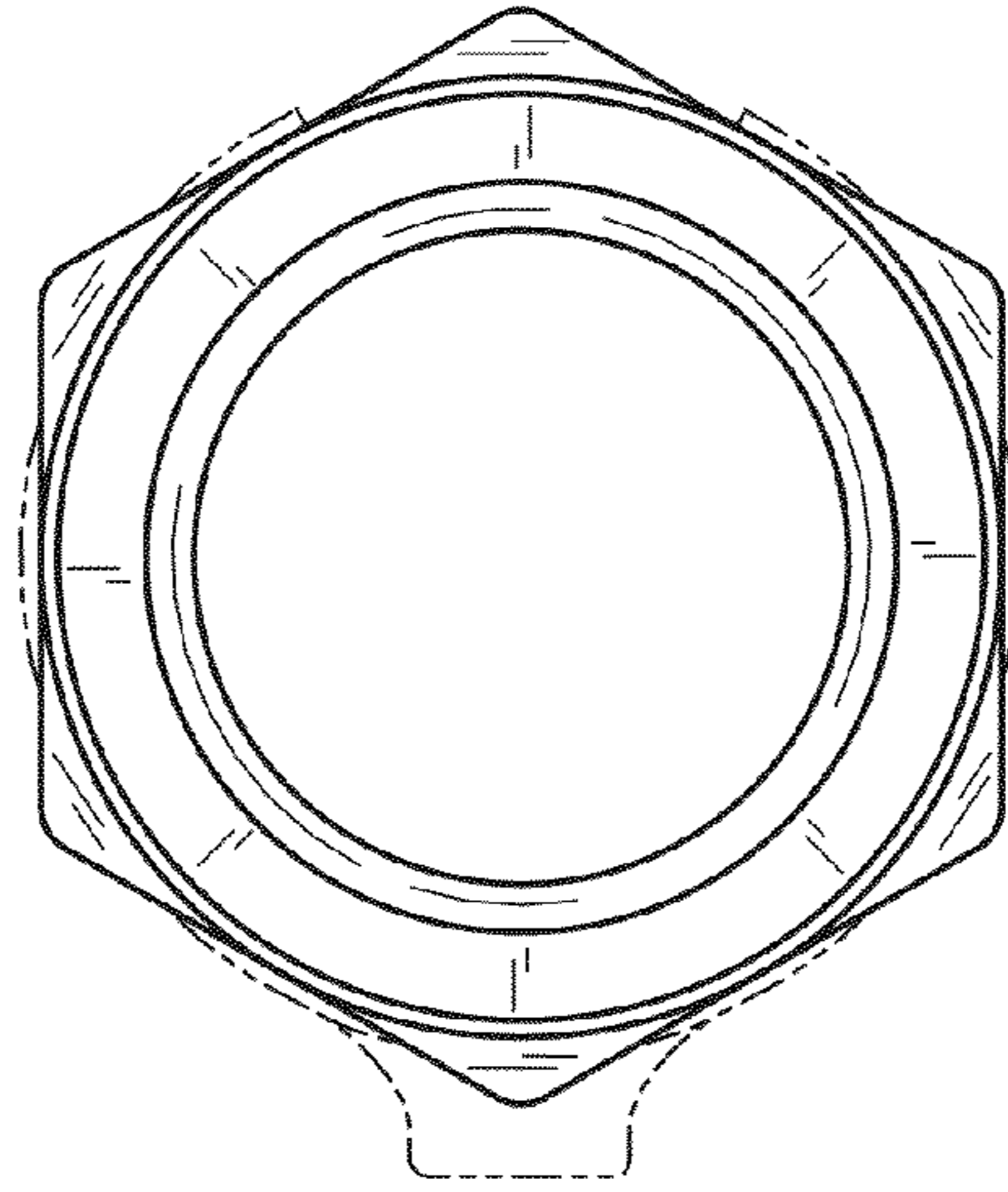


FIG. 3

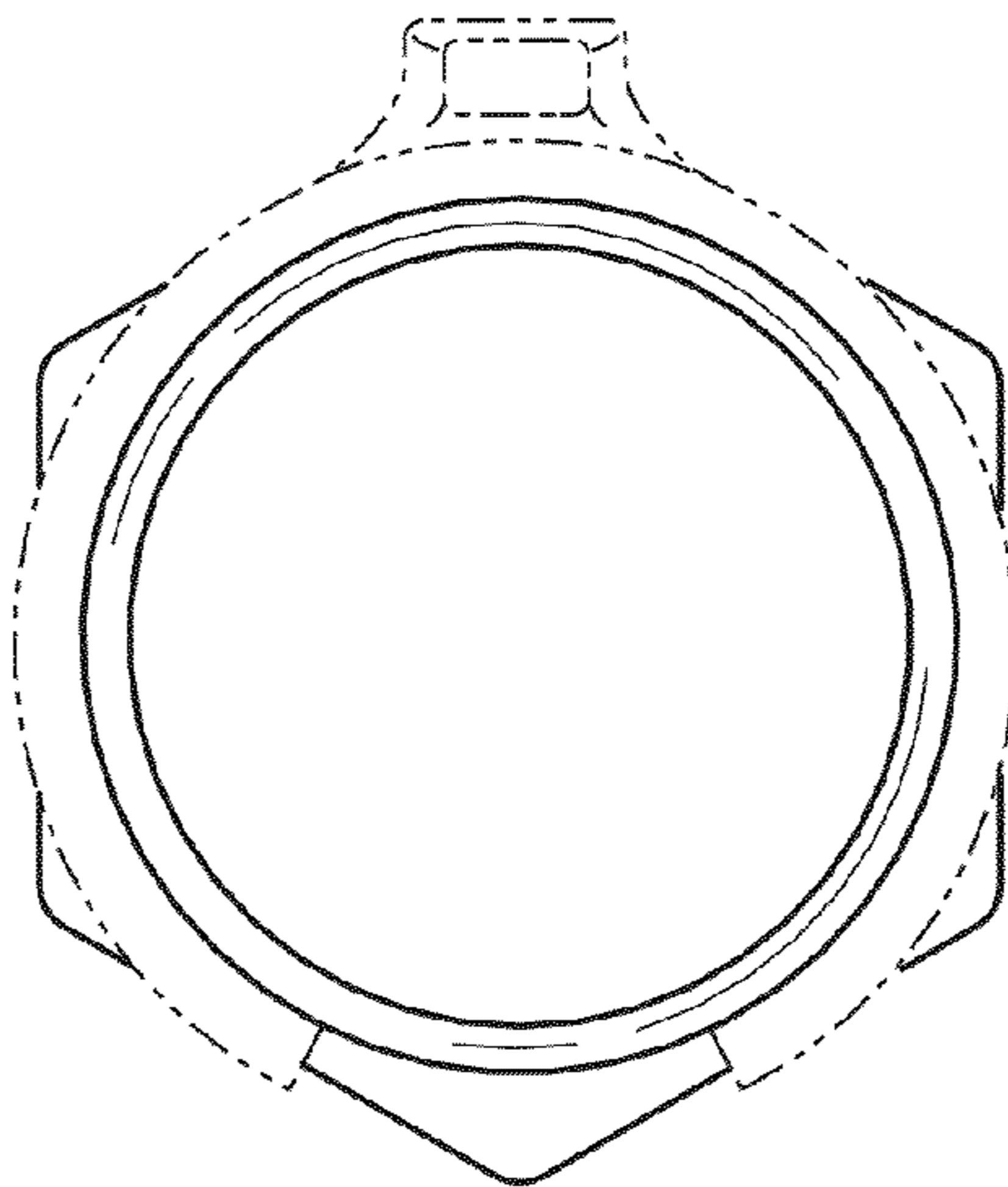


FIG. 4

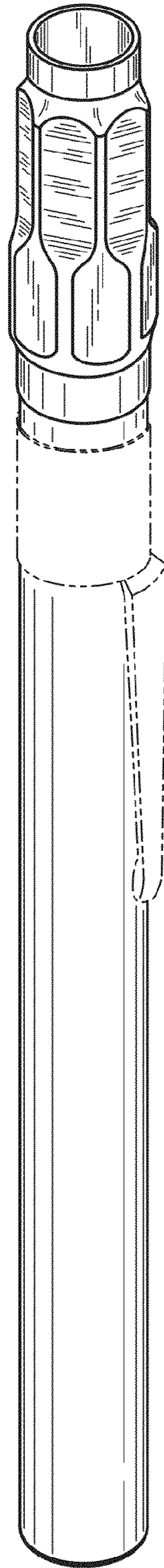


FIG. 5

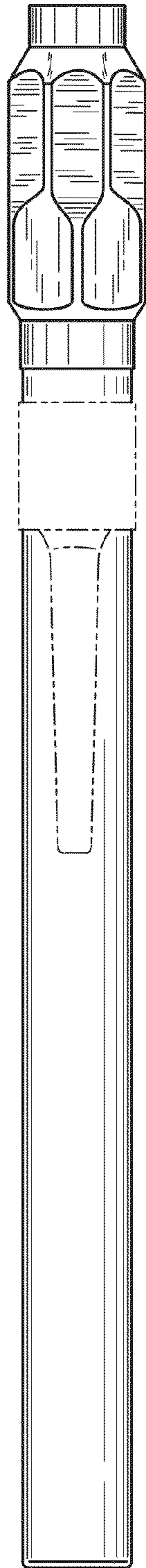


FIG. 6

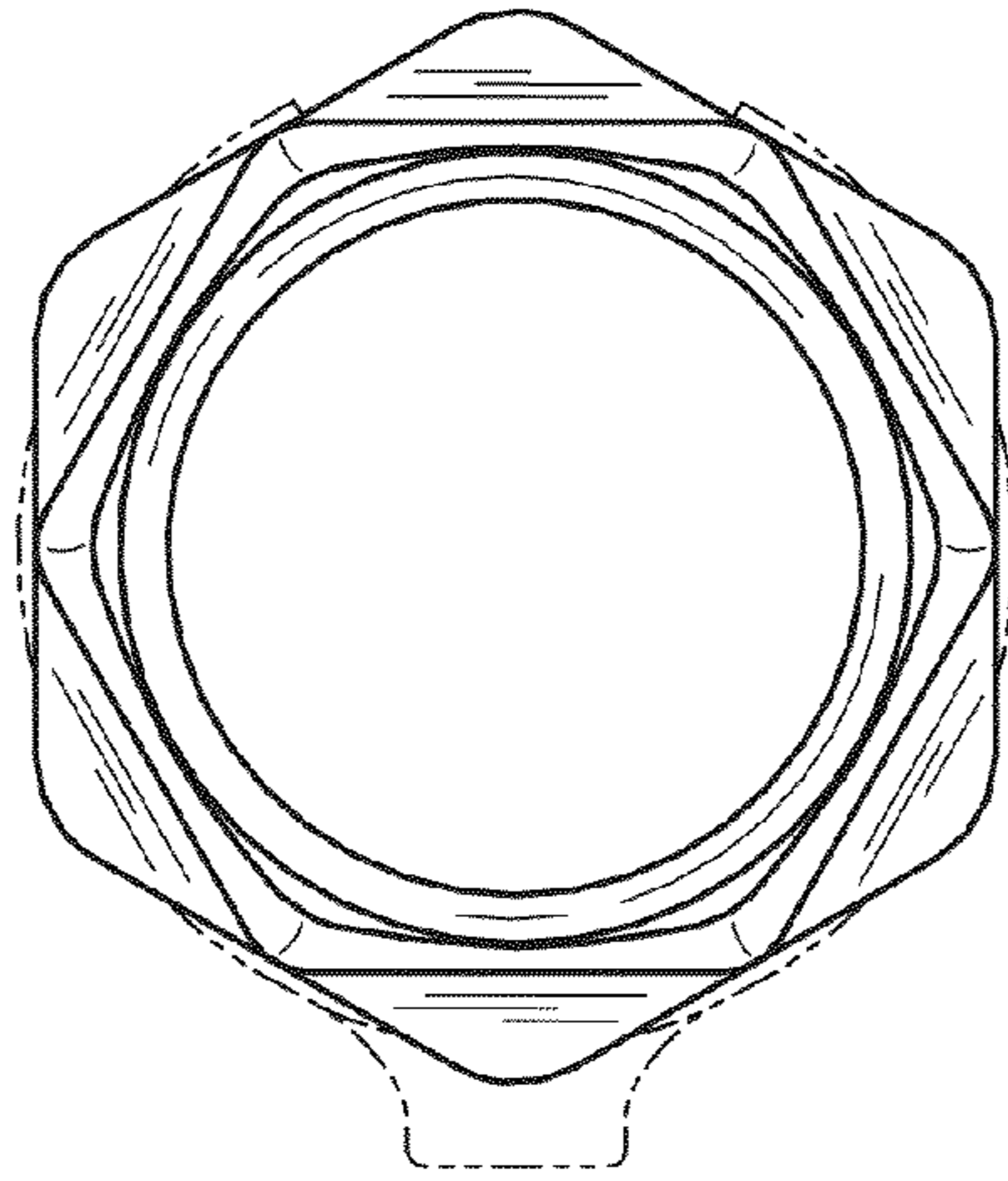


FIG. 7

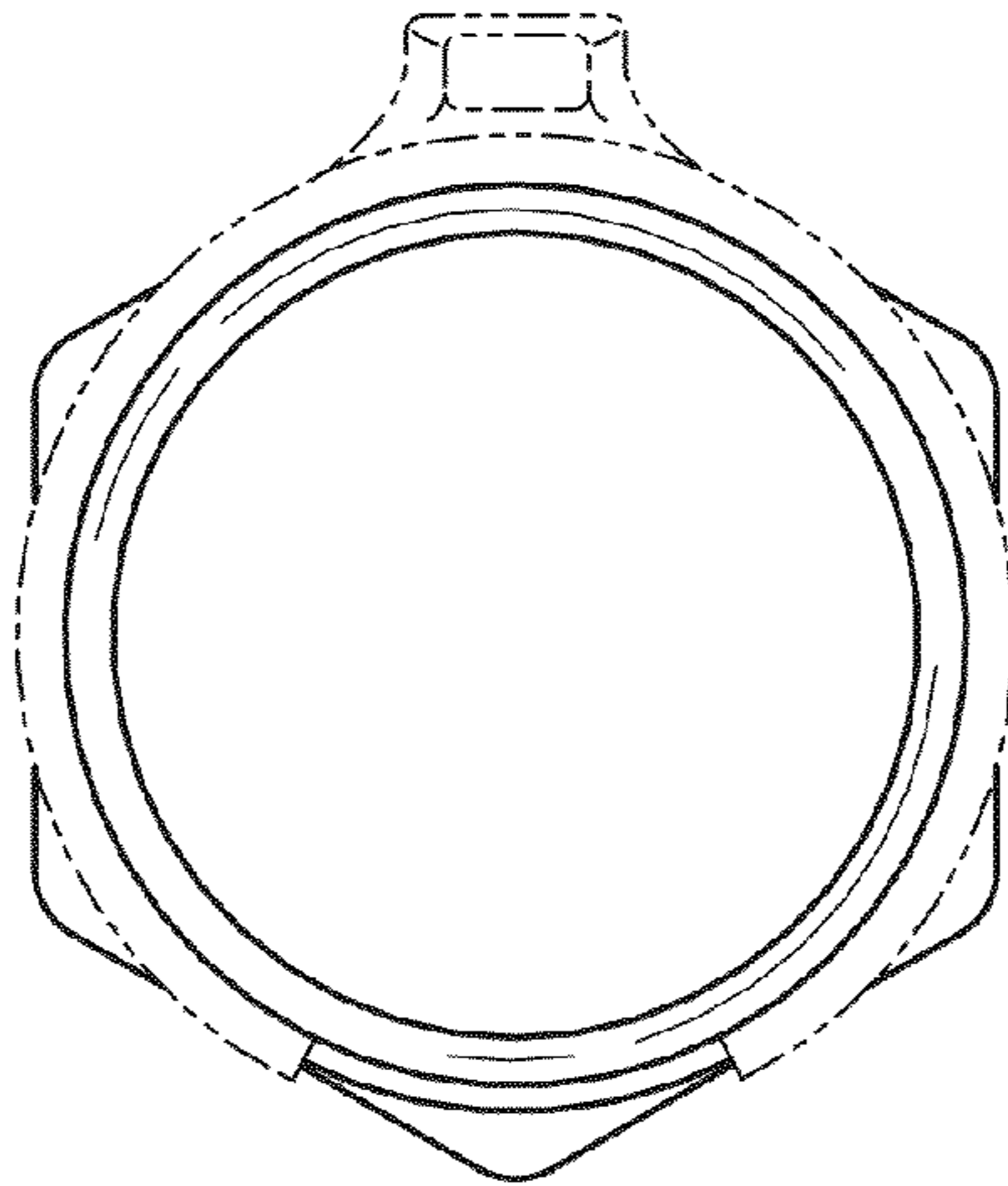


FIG. 8

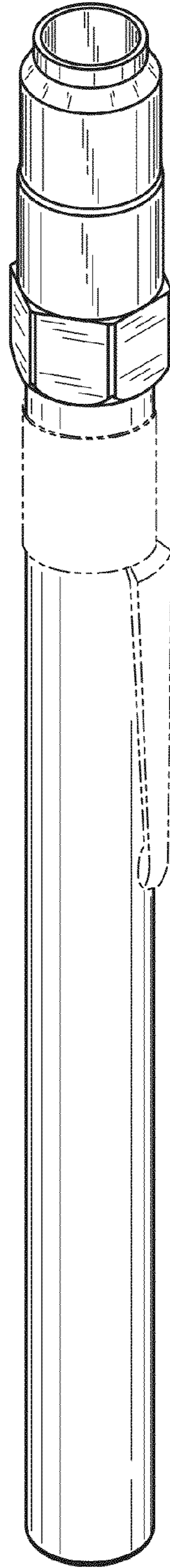


FIG. 9

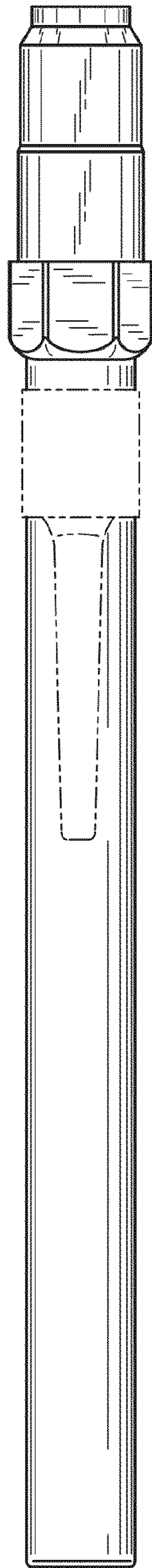


FIG. 10

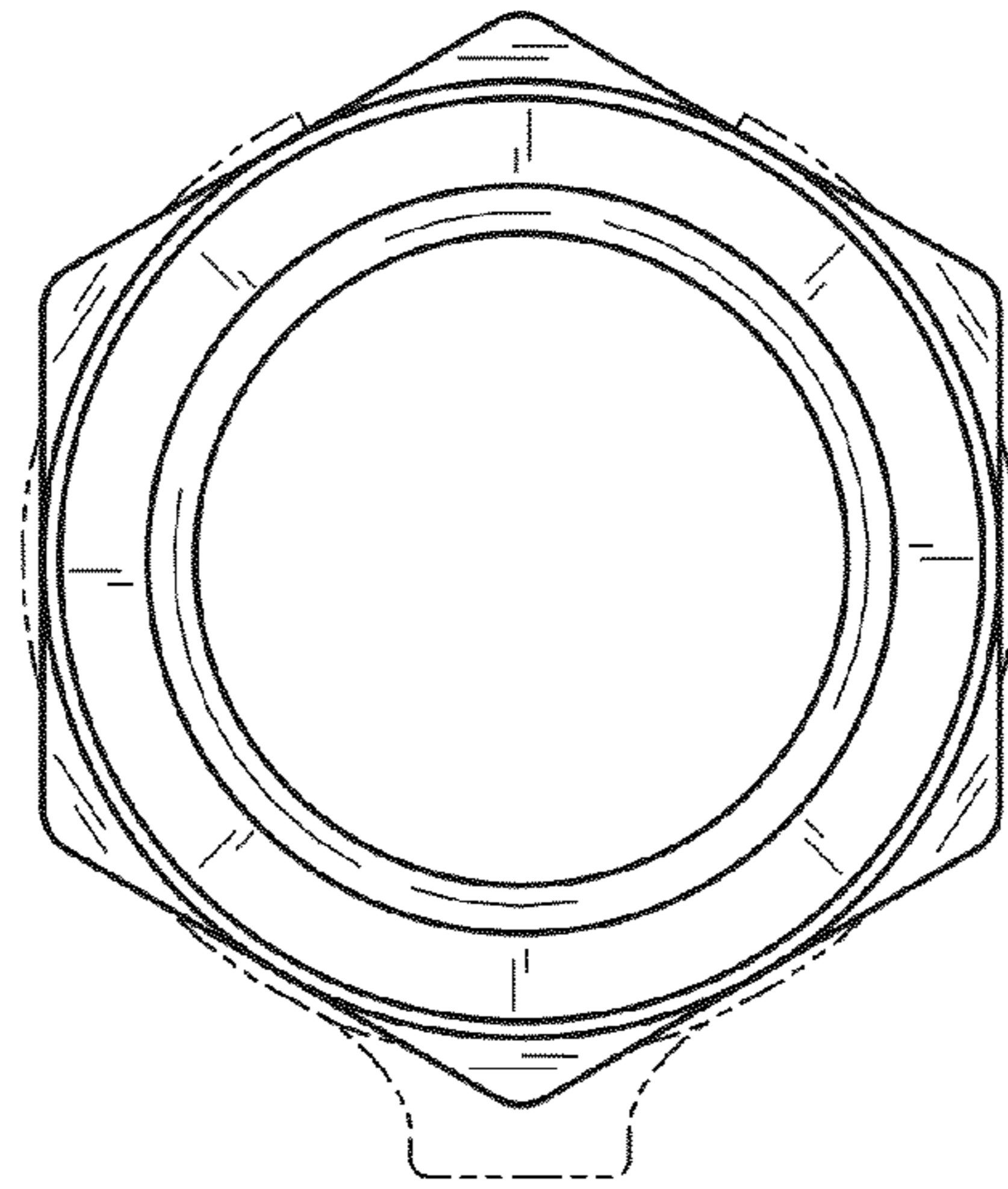


FIG. 11

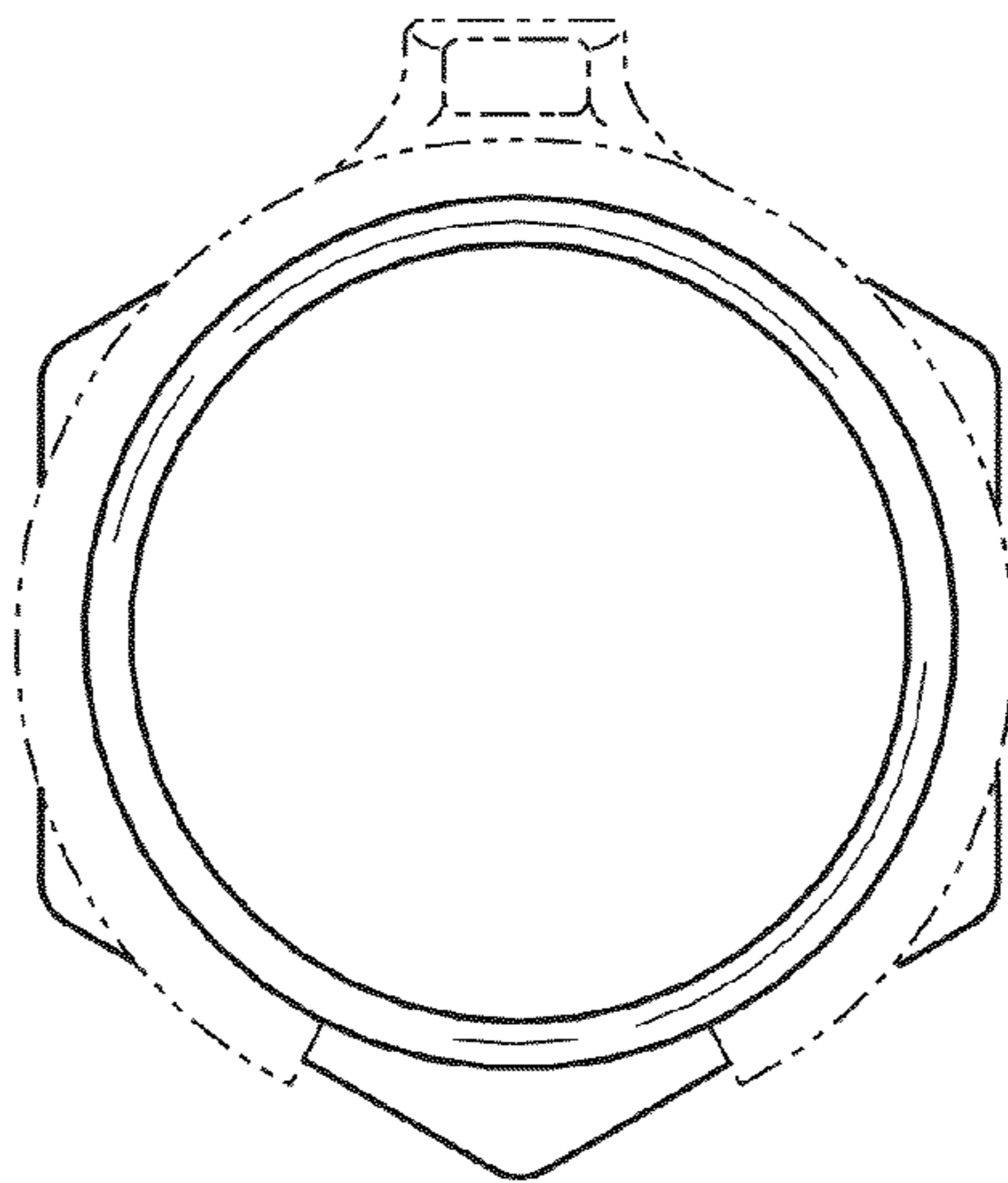


FIG. 12