



US00D756809S

(12) **United States Design Patent**
Hisama et al.

(10) **Patent No.:** **US D756,809 S**

(45) **Date of Patent:** **** May 24, 2016**

(54) **DOSIMETER**

(71) Applicant: **FUJI ELECTRIC CO., LTD.**,
Kawasaki-shi, Kanagawa (JP)

(72) Inventors: **Hiroto Hisama**, Kawasaki (JP);
Shigeru Abe, Kawasaki (JP)

(73) Assignee: **FUJI ELECTRIC CO., LTD.**,
Kawasaki-shi, Kanagawa (JP)

(**) Term: **14 Years**

(21) Appl. No.: **29/522,479**

(22) Filed: **Mar. 31, 2015**

(30) **Foreign Application Priority Data**

Oct. 27, 2014 (JP) 2014-023949

(51) **LOC (10) Cl.** **10-04**

(52) **U.S. Cl.**
USPC **D10/47**

(58) **Field of Classification Search**
USPC D10/47
CPC G01T 1/00; G01T 1/003; G01T 1/006;
G01T 1/02; G01T 1/023; G01T 1/026; G01T
1/04; G01T 1/06; G01T 1/08; G01T 1/10;
G01T 1/105; G01T 1/11; G01T 1/115; G01T
1/12; G01T 1/14; G01T 1/142; G01T 1/15;
G01T 1/16; G01T 1/1603

See application file for complete search history.

(56) **References Cited**

U.S. PATENT DOCUMENTS

4,465,936 A * 8/1984 Ishiguro G01T 1/11
250/390.03
D287,700 S * 1/1987 Pollock D10/47
D287,828 S * 1/1987 Pollock D10/47
4,642,463 A * 2/1987 Thoms G01T 1/026
250/336.1
4,913,881 A * 4/1990 Evers G01N 21/783
356/402

5,049,754 A * 9/1991 Hoelscher G01T 1/02
250/337
5,173,609 A * 12/1992 Lacoste G01T 1/026
250/370.07
5,177,363 A * 1/1993 Velbeck G01T 1/11
250/337
5,572,027 A * 11/1996 Tawil G01T 1/11
250/336.1
6,031,454 A * 2/2000 Lovejoy G01T 1/026
250/388
7,095,329 B2 * 8/2006 Saubolle G01T 1/18
340/540
7,205,544 B2 * 4/2007 Bushberg G01T 7/00
250/336.1
7,378,954 B2 * 5/2008 Wendt G01T 9/005
250/370.07
D669,799 S * 10/2012 Okudaira D10/47
8,816,289 B2 * 8/2014 Tsai G01T 1/026
250/370.07
D724,963 S * 3/2015 Ambrose D10/47

* cited by examiner

Primary Examiner — Antoine D Davis

(74) *Attorney, Agent, or Firm* — Ladas & Parry LLP

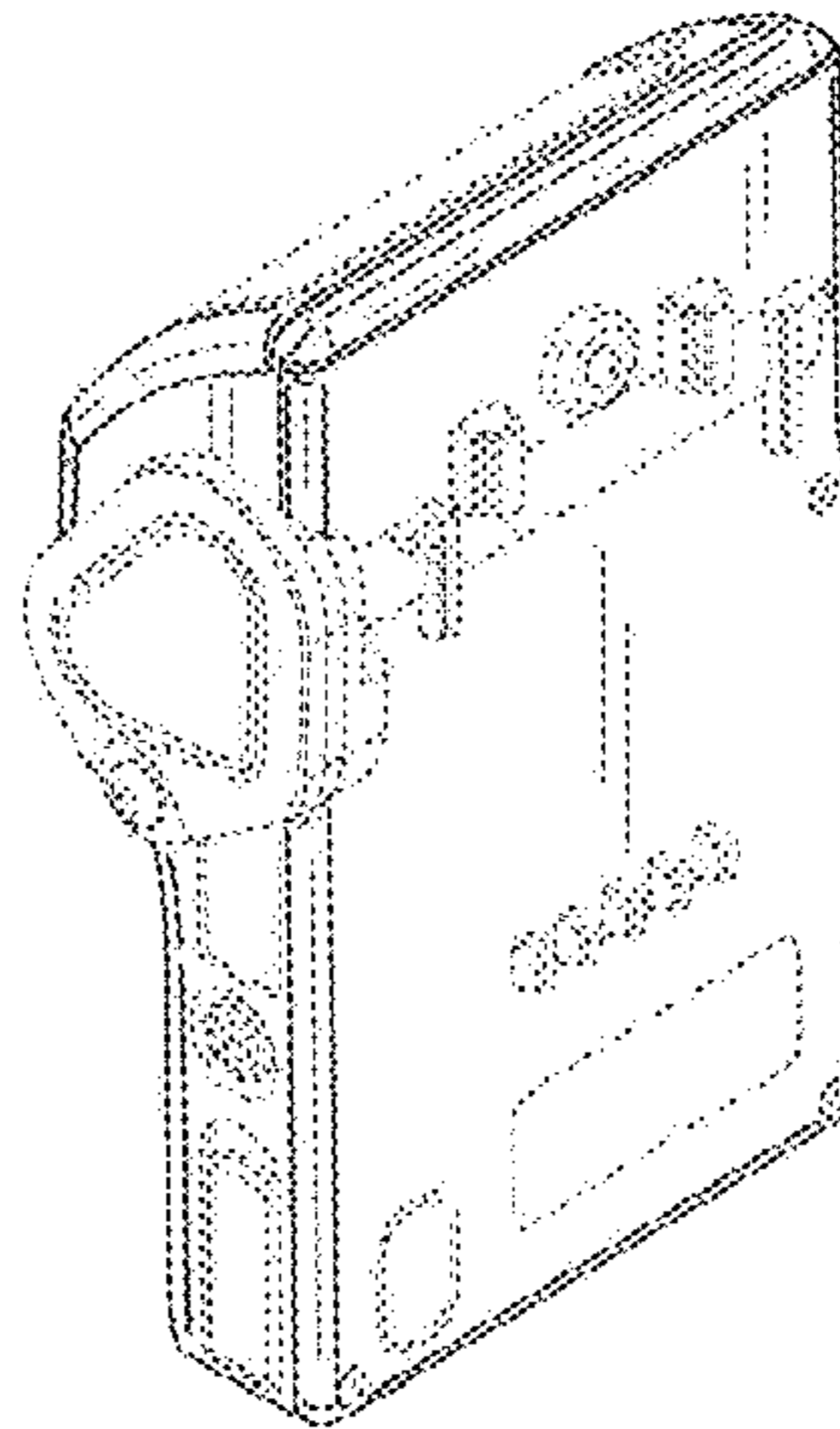
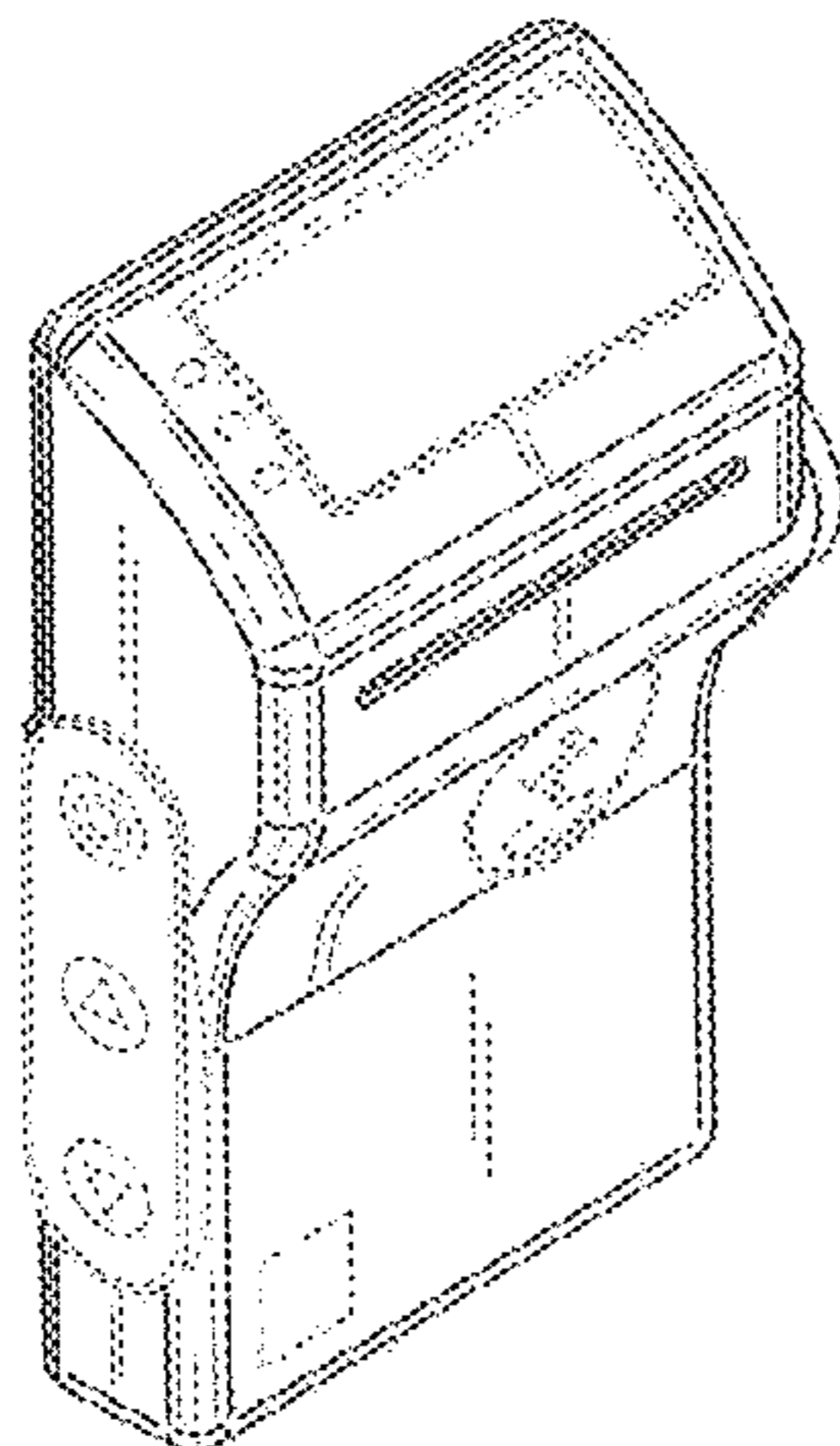
(57) **CLAIM**

The ornamental design for a dosimeter, as shown and described.

DESCRIPTION

FIG. 1 is a perspective view from the front, top, and left side of the dosimeter embodying our new design; FIG. 2 is a perspective view from the rear, top and right side thereof; FIG. 3 is a front elevational view thereof; FIG. 4 is a rear elevational view thereof; FIG. 5 is a top plan view thereof; FIG. 6 is a bottom plan view thereof; FIG. 7 is a left side elevational view thereof; and, FIG. 8 is a right side elevational view thereof. The broken lines in the drawings are by way of illustration only and form no part of the claimed design.

1 Claim, 6 Drawing Sheets



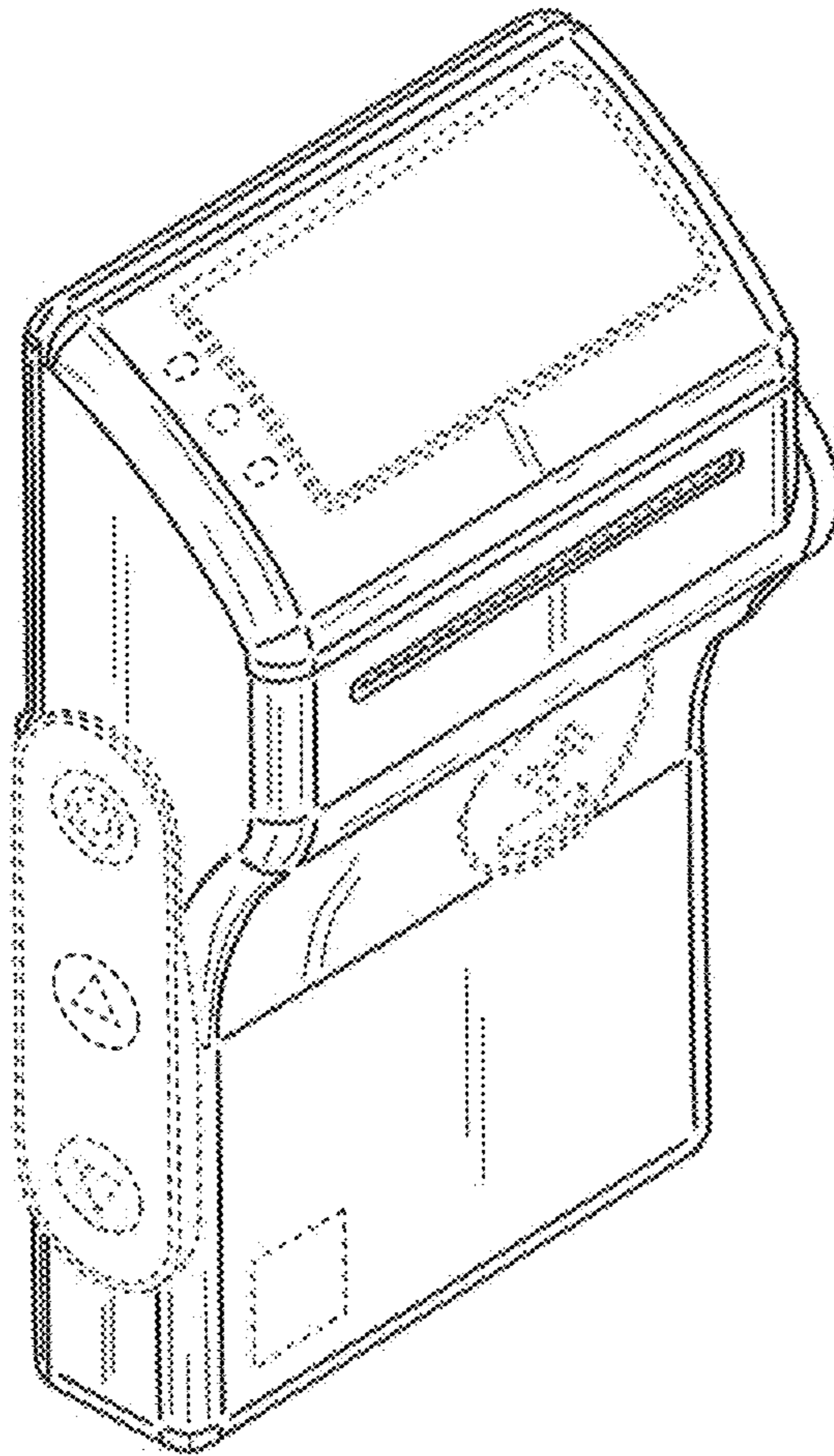


FIG. 1

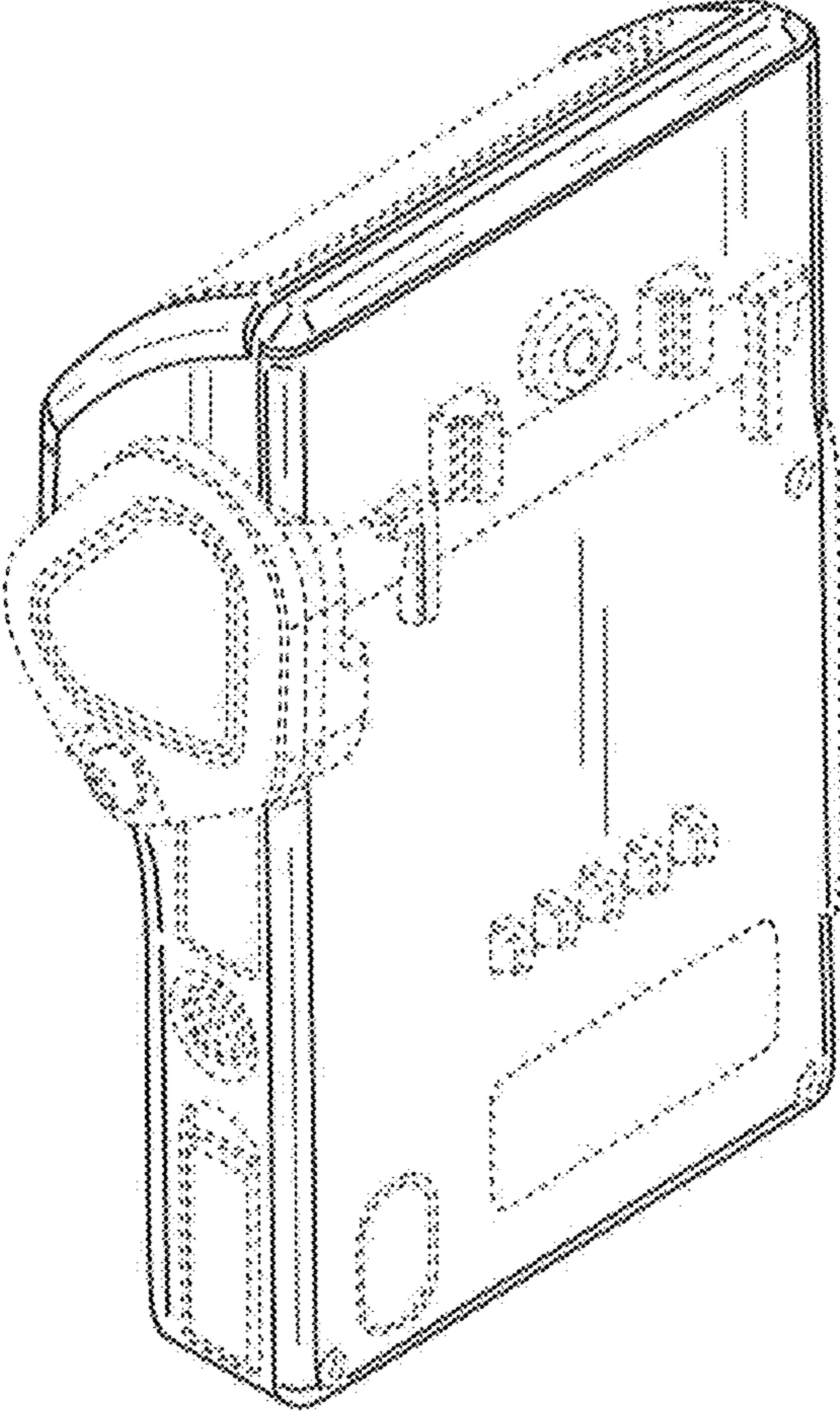


FIG. 2

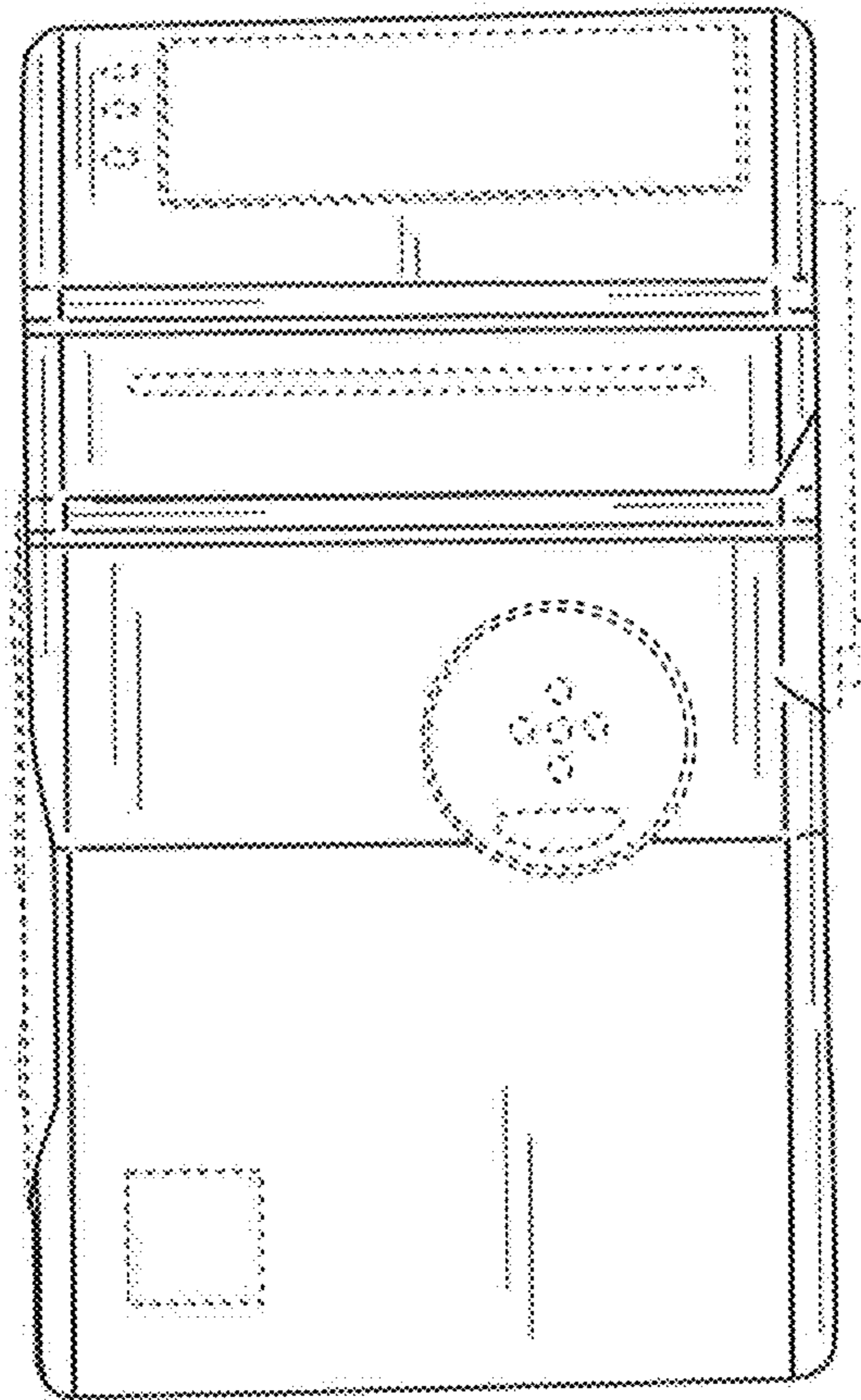


FIG. 3

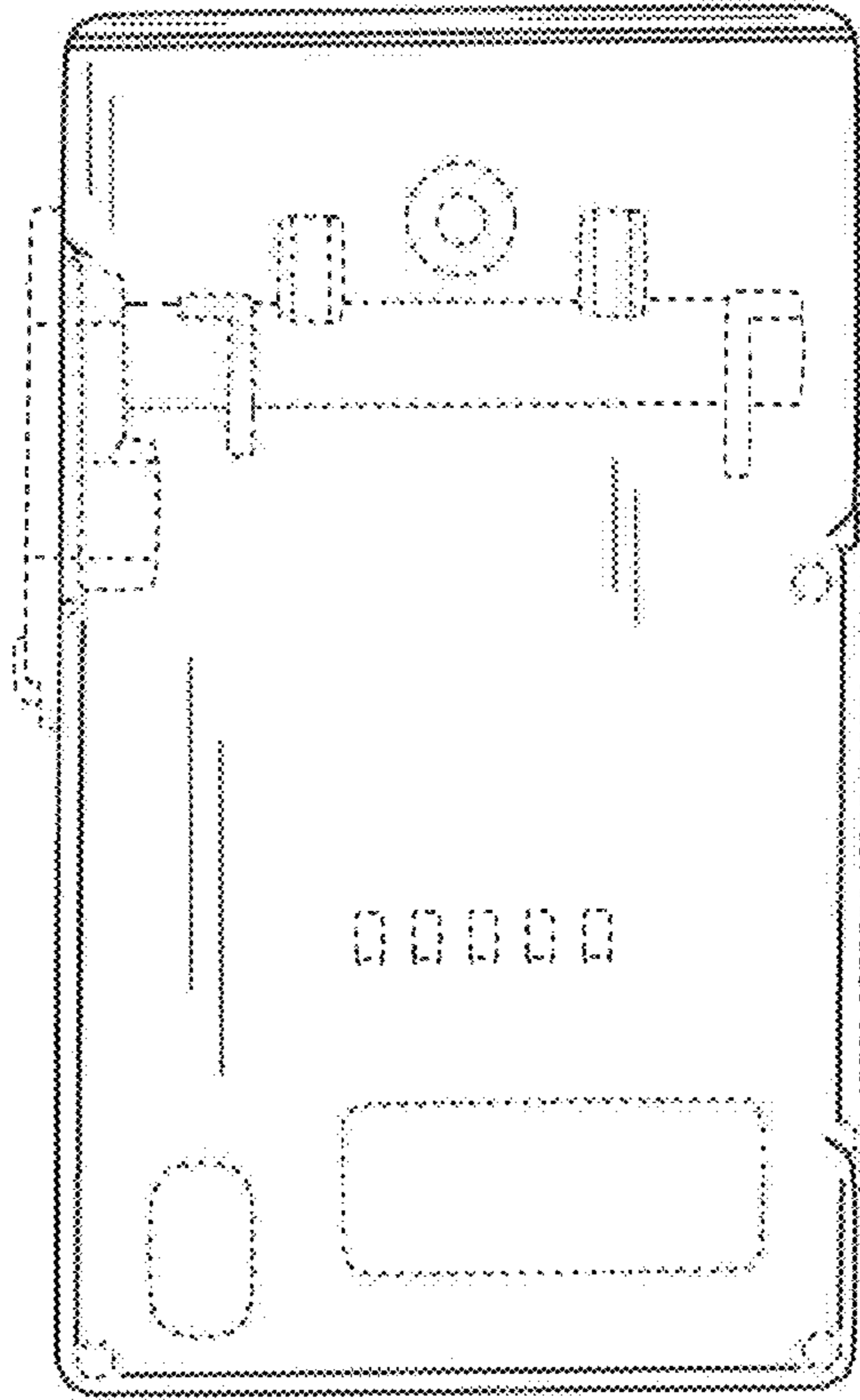


FIG. 4

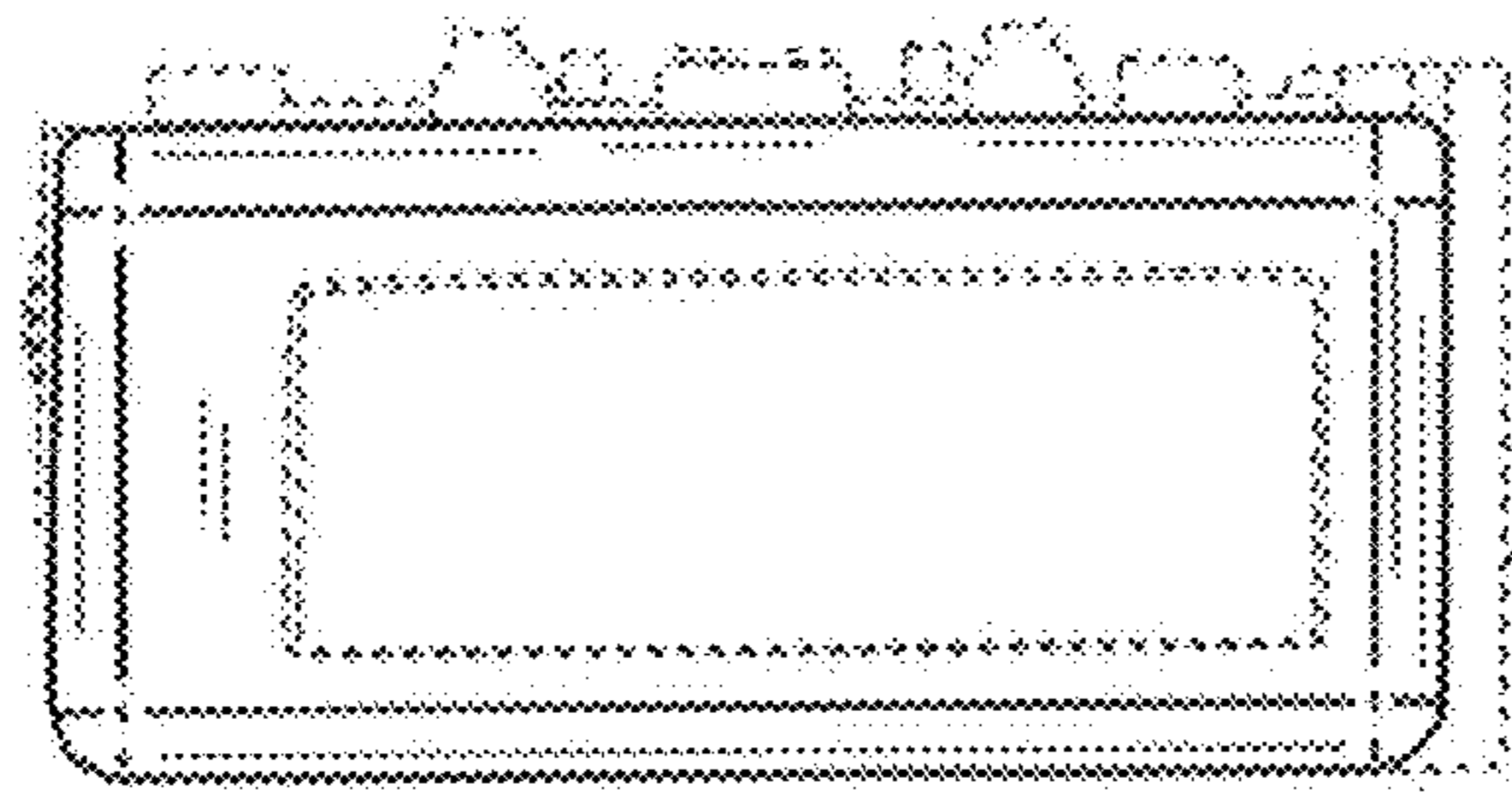


FIG. 5

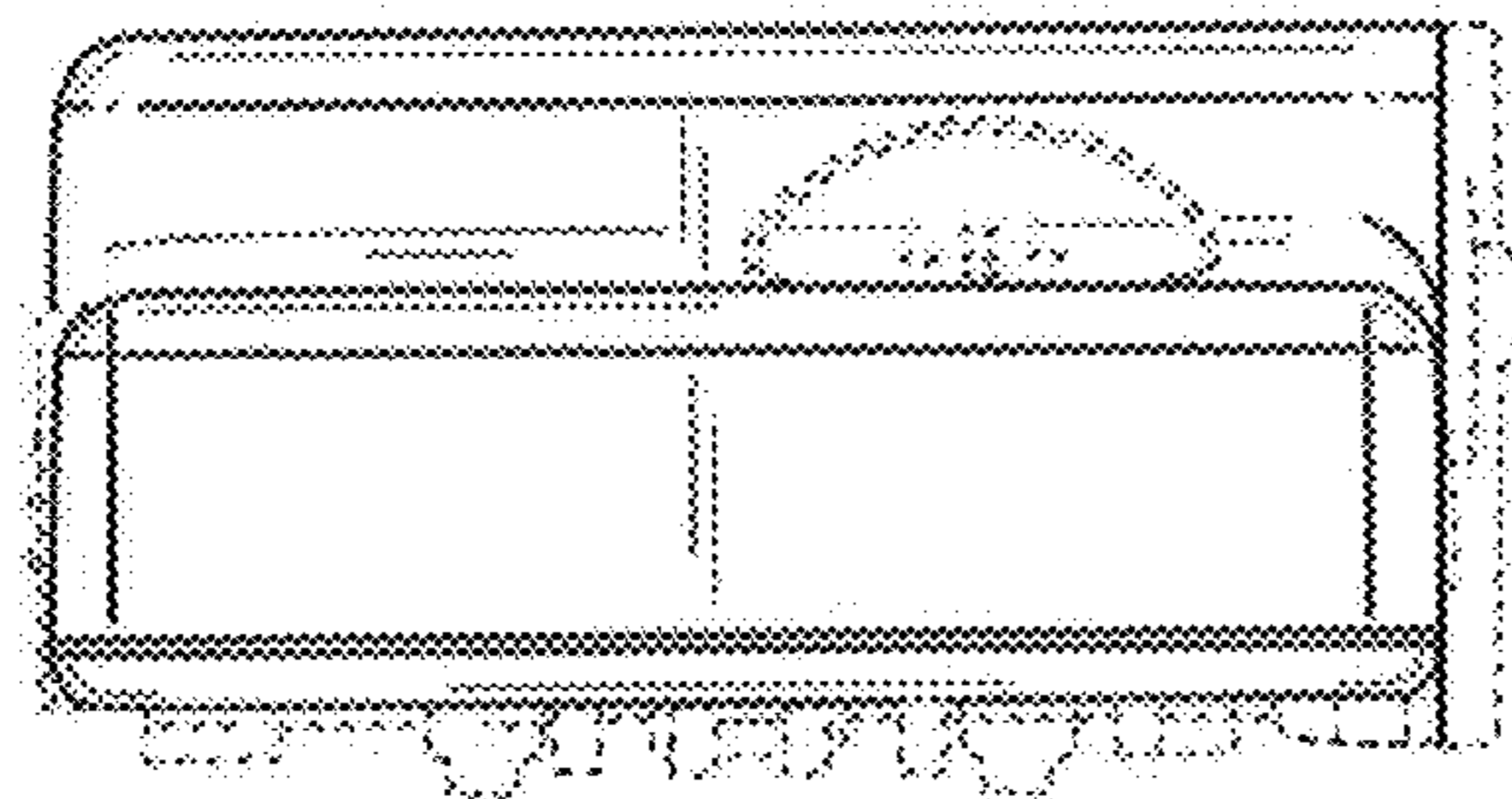


FIG. 6

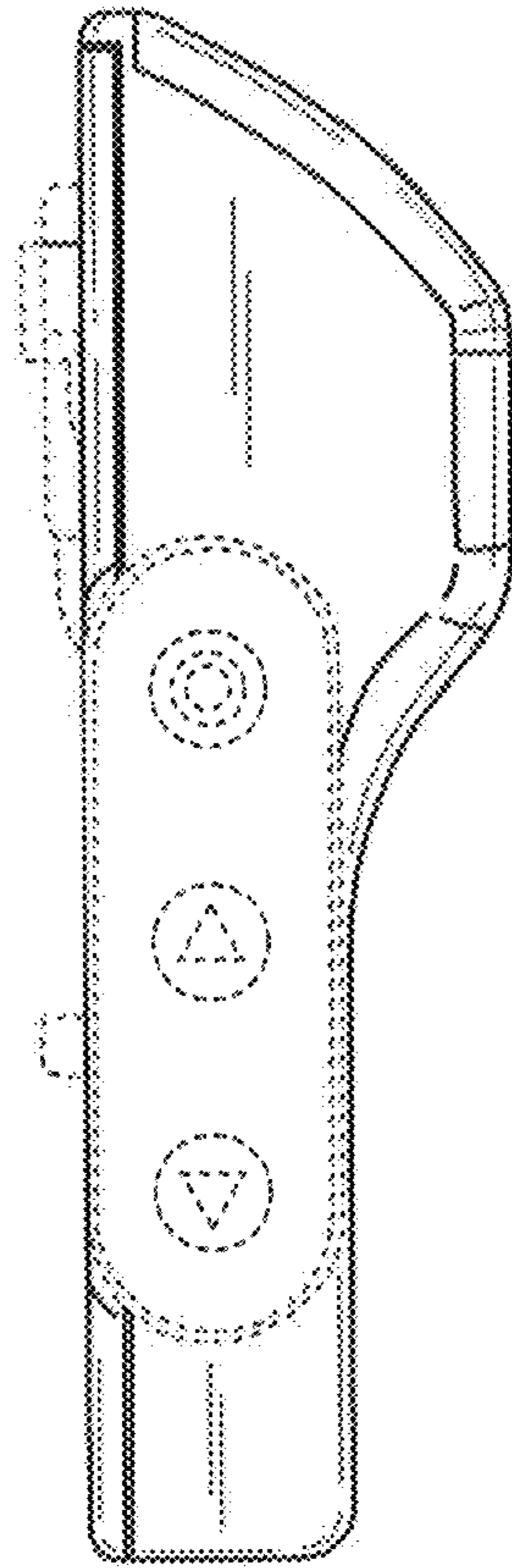


FIG. 7

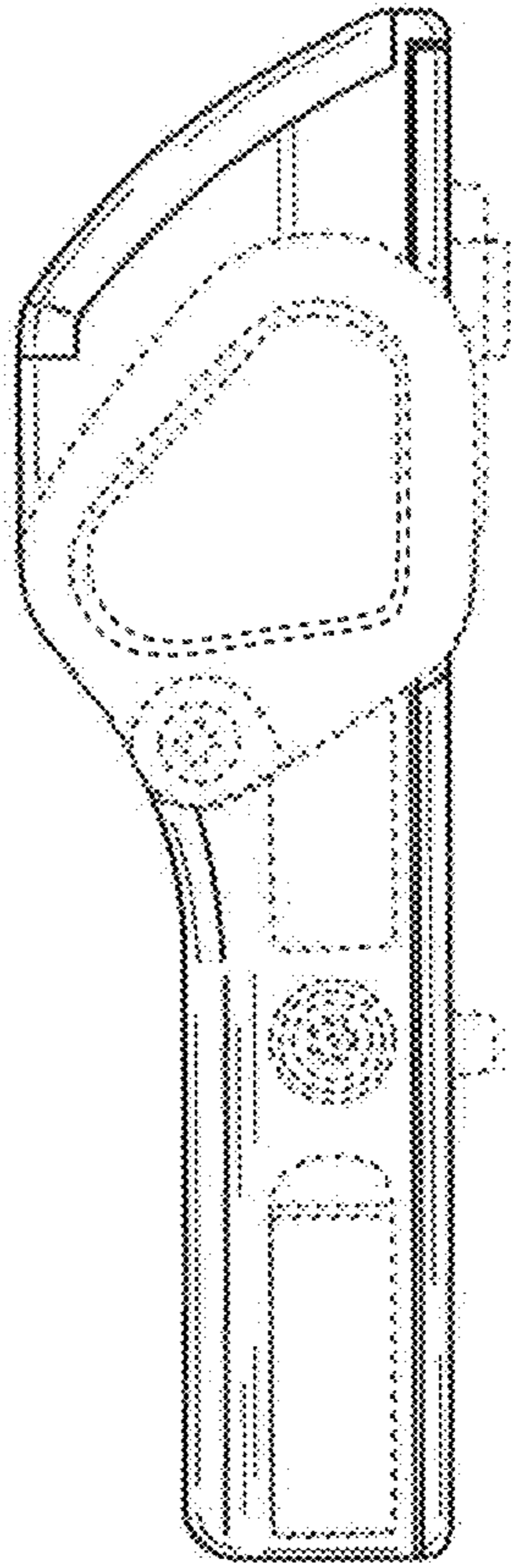


FIG. 8