



US00D756803S

(12) **United States Design Patent**
Stacy-Ryan

(10) **Patent No.:** **US D756,803 S**

(45) **Date of Patent:** **** May 24, 2016**

(54) **BLISTER PACKAGING**

(71) Applicant: **WM. WRIGLEY JR. COMPANY,**
Chicago, IL (US)

(72) Inventor: **Russell Stacy-Ryan,** Oak Park, IL (US)

(73) Assignee: **WM. WRIGLEY JR. COMPANY,**
Chicago, IL (US)

(**) Term: **14 Years**

(21) Appl. No.: **29/434,591**

(22) Filed: **Oct. 15, 2012**

(51) **LOC (10) Cl.** **09-01**

(52) **U.S. Cl.**
USPC **D9/732**

(58) **Field of Classification Search**
USPC D9/416, 418, 419, 428, 730, 732, 756,
D9/759; D24/121, 227, 229; D7/541, 546,
D7/549, 553.3, 553.6, 614; D3/203.2,
D3/203.3, 310, 311, 313; 206/461, 464,
206/467, 471, 528, 530, 531, 532, 538, 539,
206/775-779, 781, 782

See application file for complete search history.

(56) **References Cited**

U.S. PATENT DOCUMENTS

3,252,567	A *	5/1966	Baron et al.	206/278
3,599,928	A *	8/1971	Strong	249/61
5,046,618	A *	9/1991	Wood	206/532
5,896,996	A *	4/1999	Chuang	206/769
6,253,912	B1 *	7/2001	O'Neill et al.	206/5.1
D472,808	S *	4/2003	Gelardi et al.	D9/428
D517,410	S *	3/2006	Grant	D9/457
D614,045	S *	4/2010	Gaudenzi et al.	D9/732
8,251,219	B1 *	8/2012	Lewis	206/562
8,479,921	B2 *	7/2013	Ingraham	206/532

2008/0073240	A1	3/2008	Bowers et al.	
2009/0145800	A1 *	6/2009	Bowers et al.	206/532
2011/0278370	A1	11/2011	Glydon	
2012/0160862	A1	6/2012	Gutierrez	

* cited by examiner

Primary Examiner — Derrick Holland

Assistant Examiner — Lauren Calve

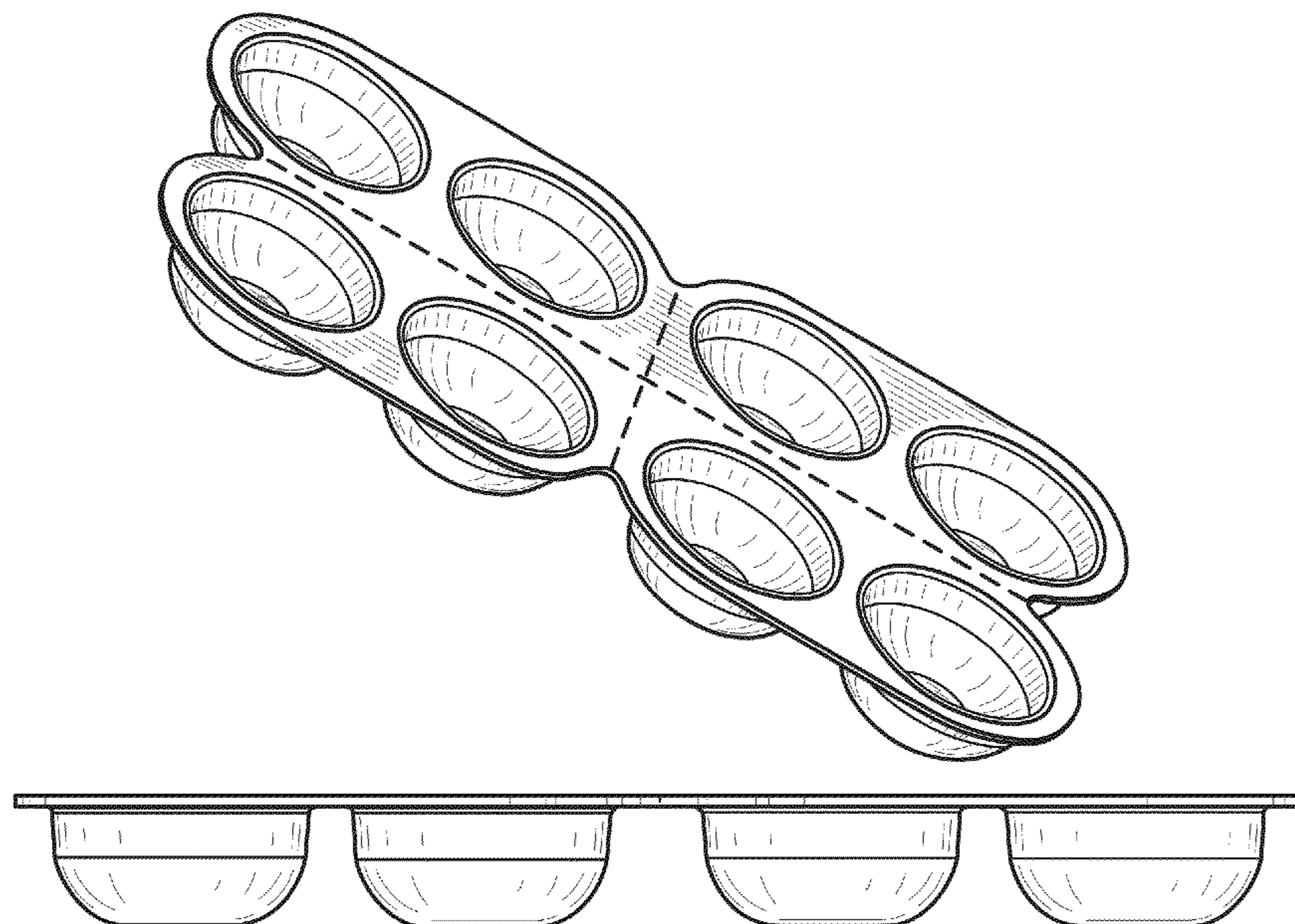
(57) **CLAIM**

The ornamental design for a blister packaging as shown and described.

DESCRIPTION

FIG. 1 is a perspective view of a blister packaging.
 FIG. 2 is a perspective view of a blister packaging according to a second embodiment.
 FIG. 3 is a top view of the blister packaging of FIG. 1.
 FIG. 4 is a top view of the blister packaging of FIG. 2.
 FIG. 5 is a bottom view of the blister packaging of FIG. 1.
 FIG. 6 is a side view of the blister packaging of FIG. 1.
 FIG. 7 is a second side view of the blister packaging of FIG. 1.
 FIG. 8 is a perspective view of the blister packaging of FIG. 1, shown in an alternate configuration.
 FIG. 9 is a side view of the blister packaging of FIG. 8.
 FIG. 10 is a perspective view of the blister packaging of FIG. 1, shown in a second alternate configuration.
 FIG. 11 is a top view of the blister packaging of FIG. 10.
 FIG. 12 is a rear view of the blister packaging of FIG. 10.
 FIG. 13 is a front view of the blister packaging of FIG. 10.
 FIG. 14 is a side view of the blister packaging of FIG. 10; and,
 FIG. 15 is a bottom view of the blister packaging of FIG. 10.
 The broken lines shown represent perforation and form part of the claimed design.

1 Claim, 8 Drawing Sheets



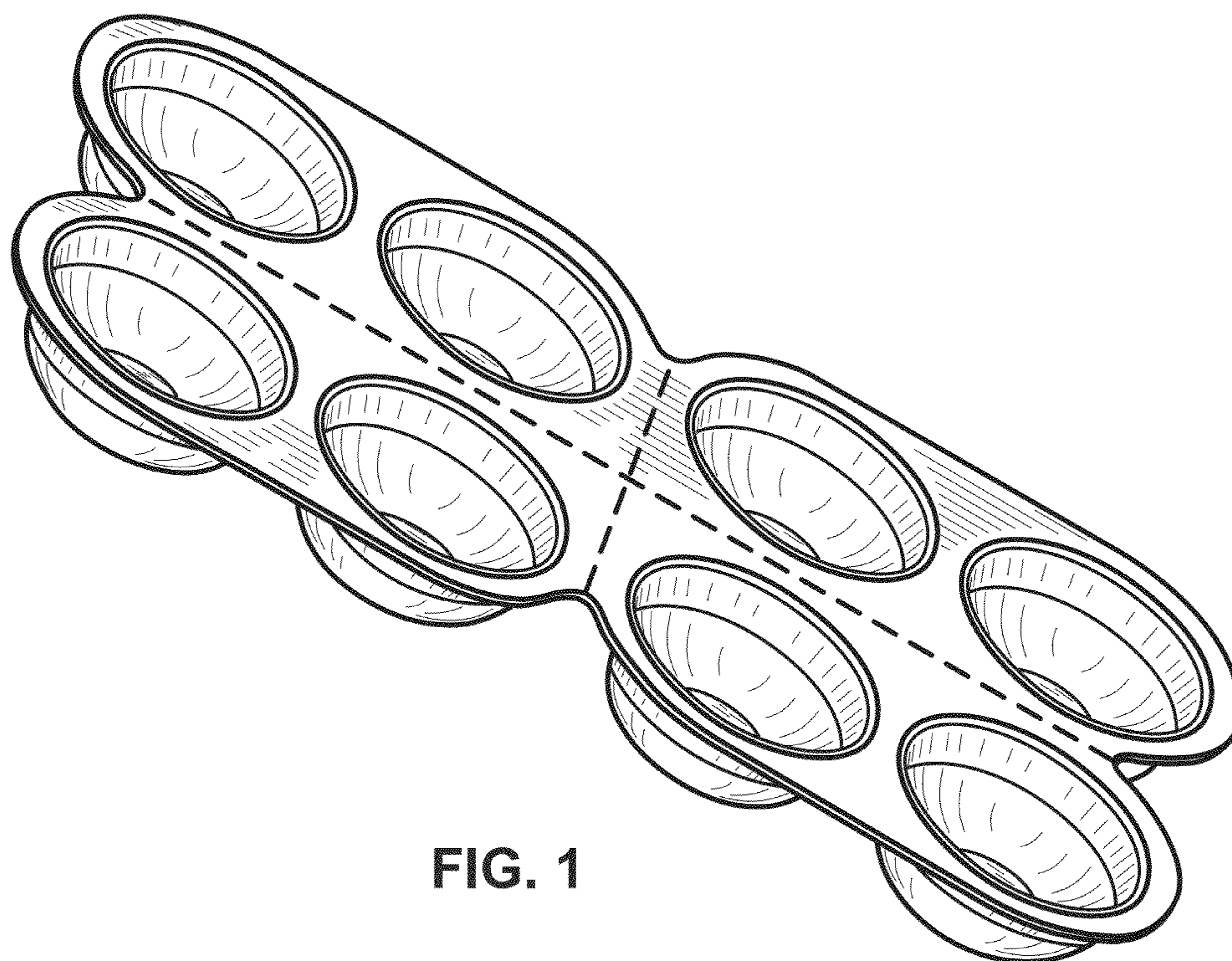


FIG. 1

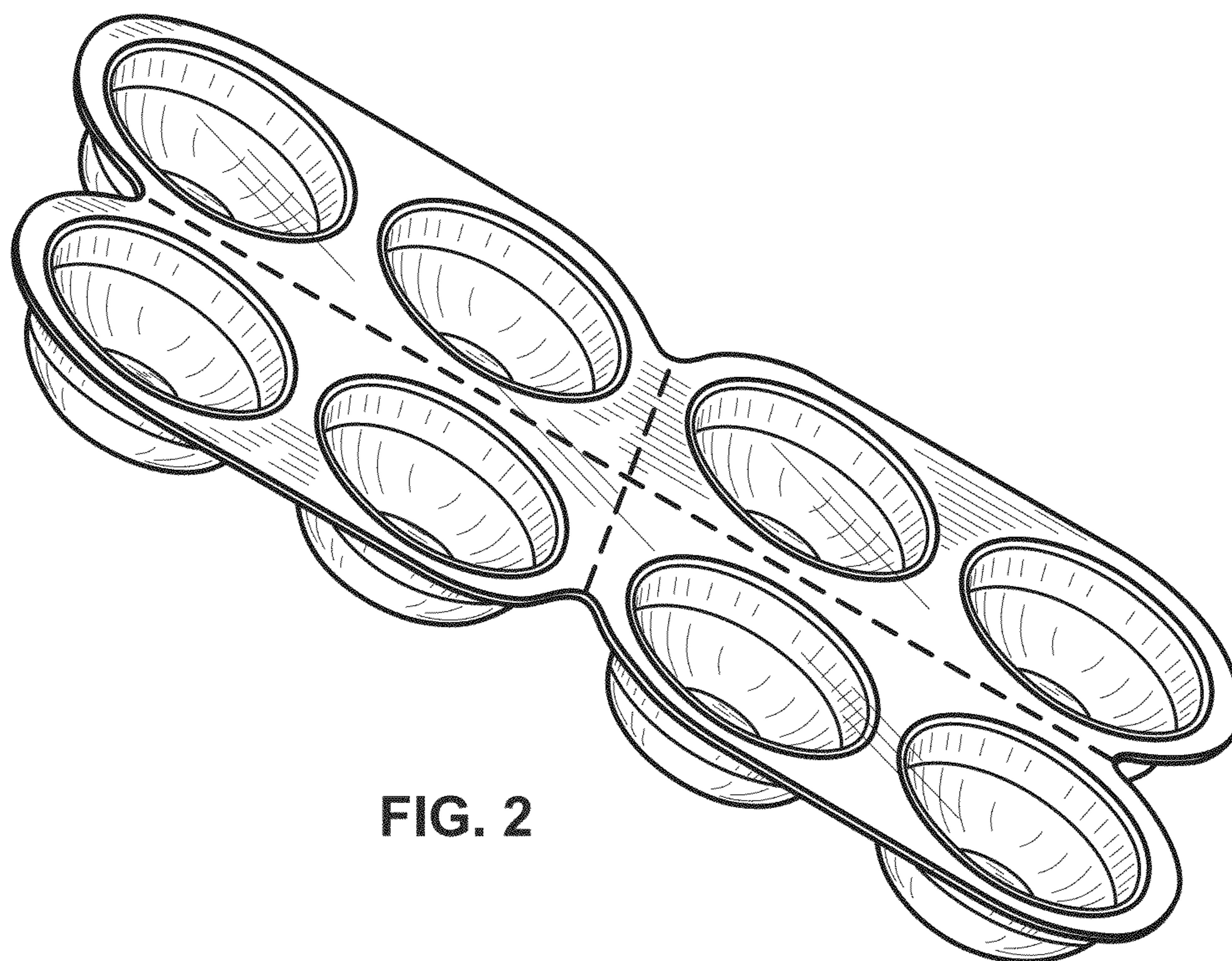


FIG. 2

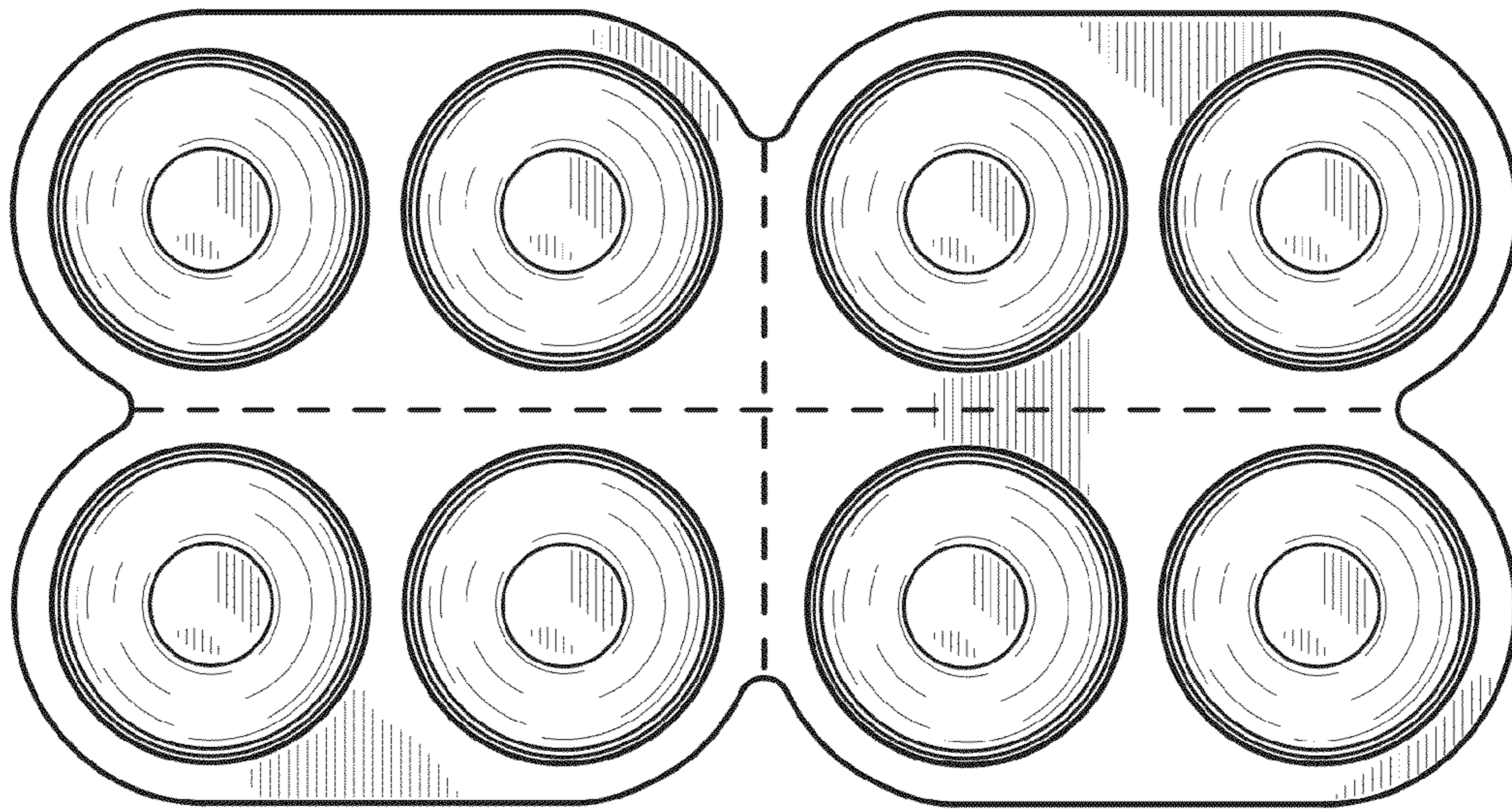


FIG. 3

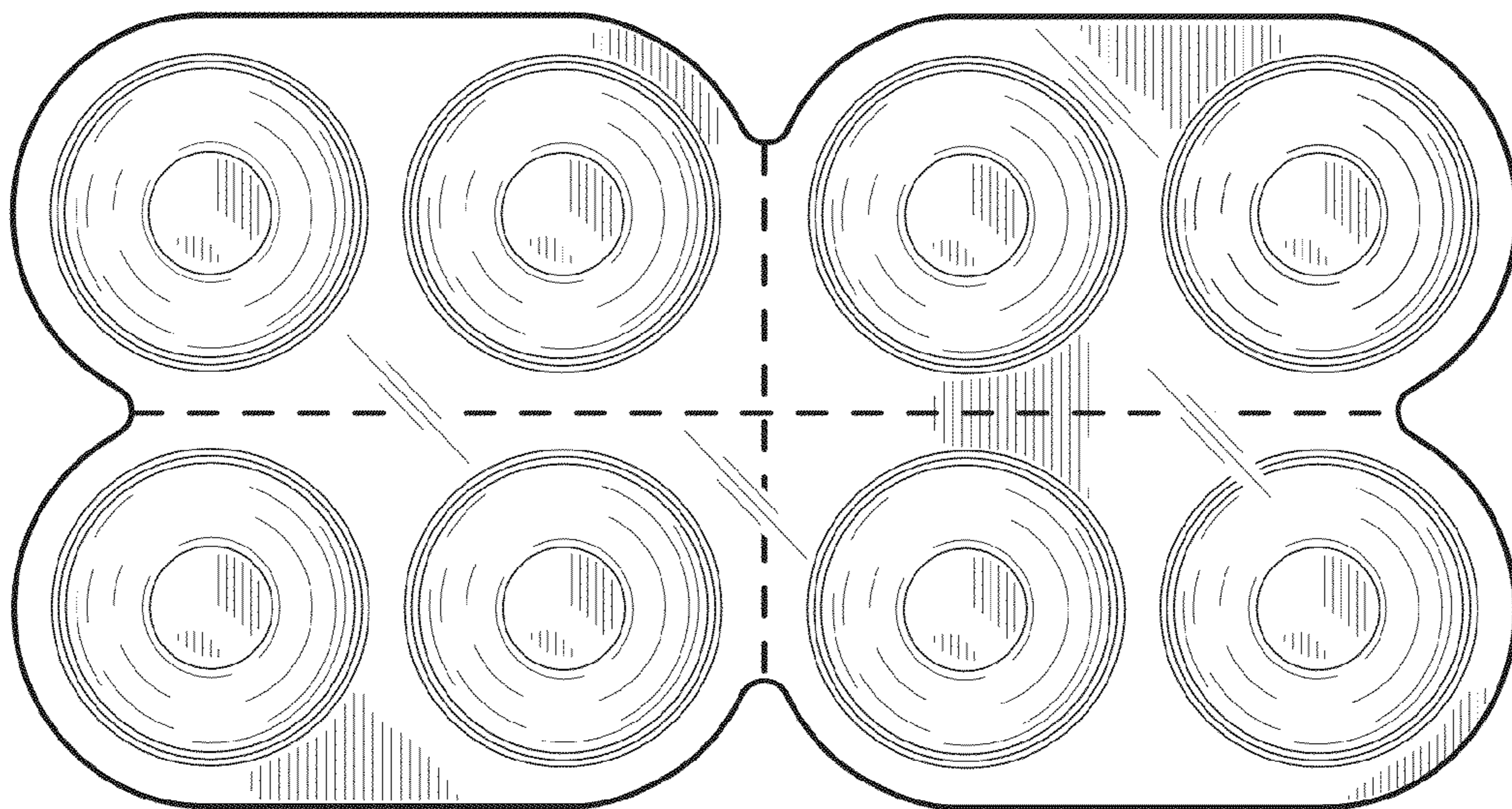


FIG. 4

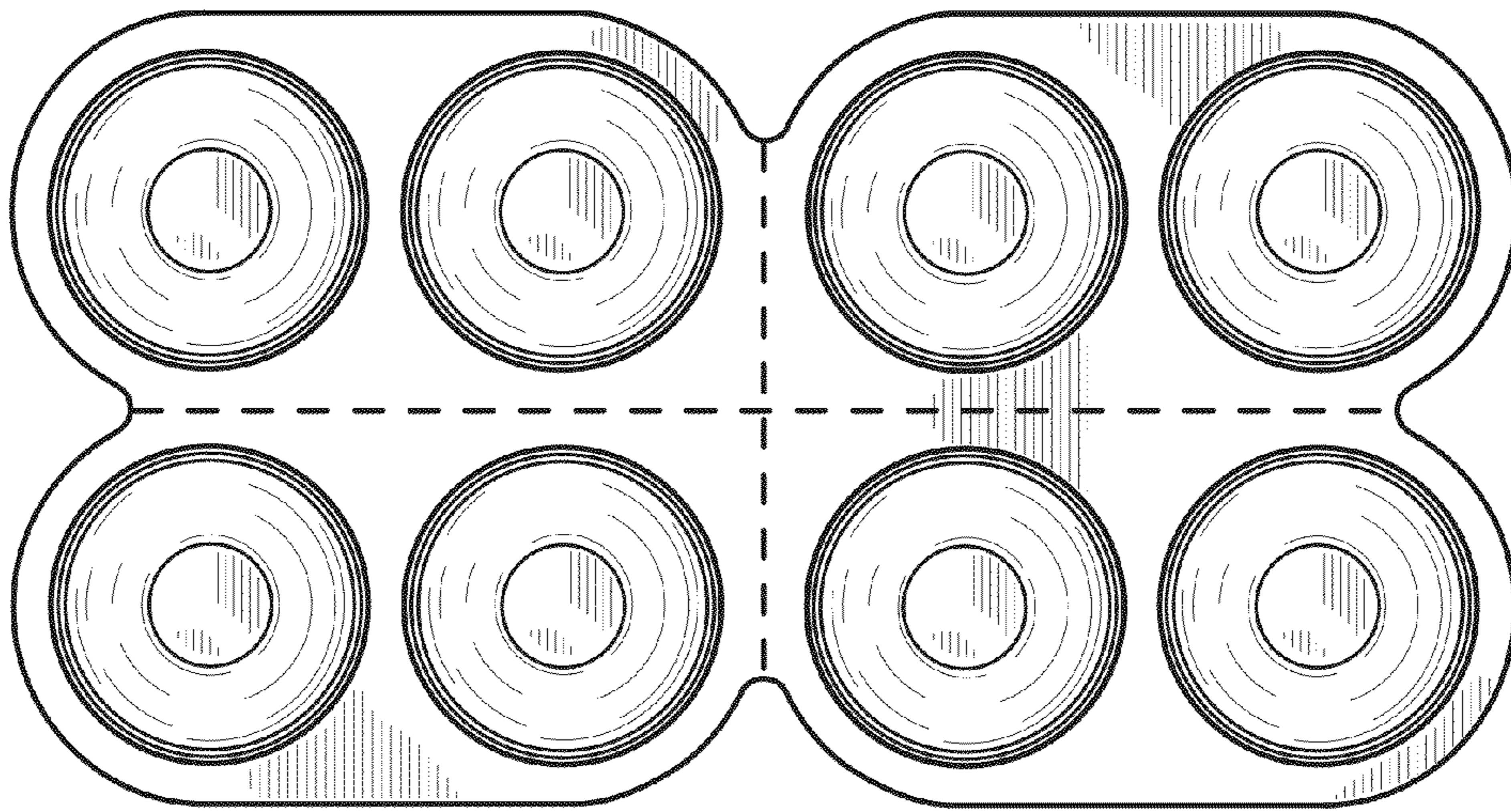


FIG. 5

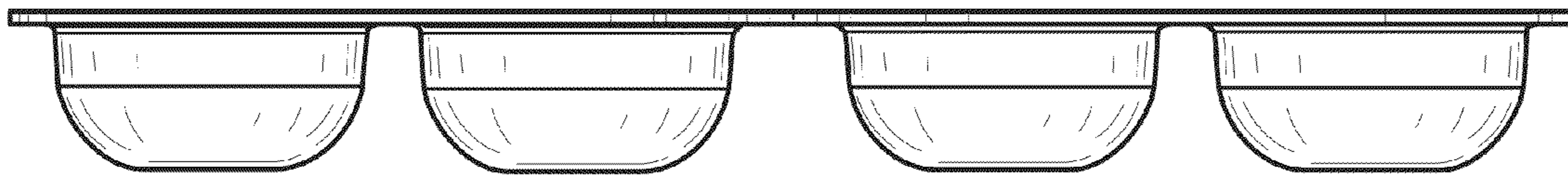


FIG. 6

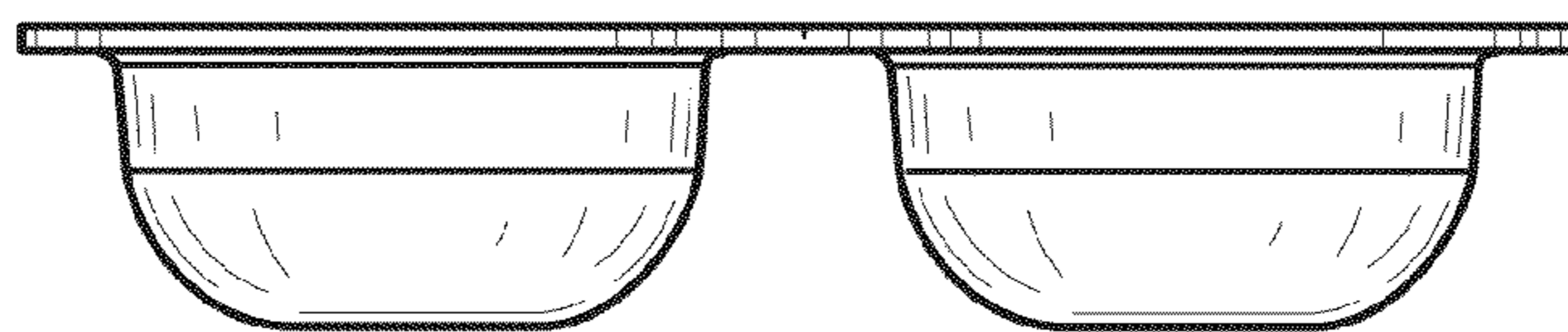


FIG. 7

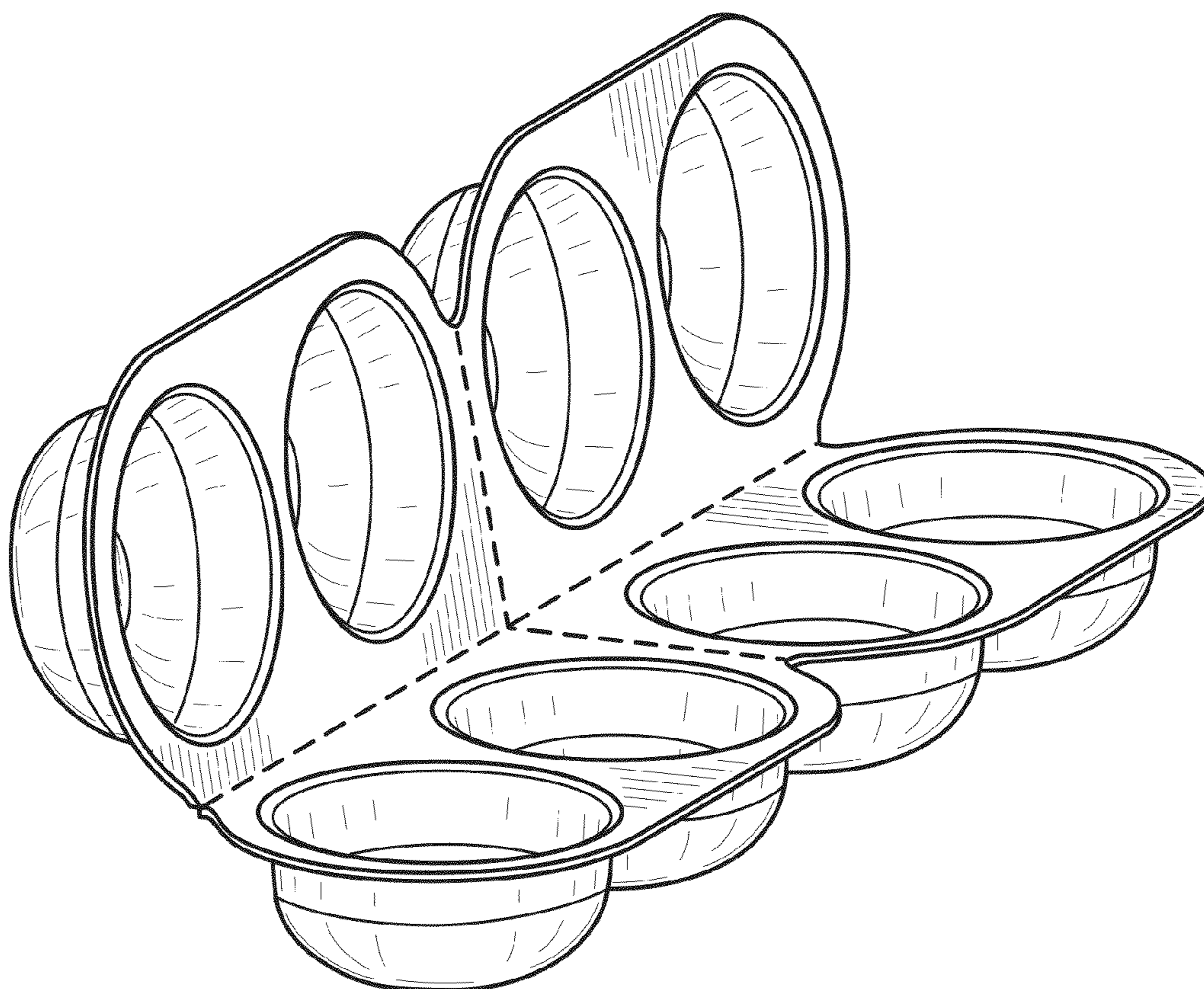


FIG. 8

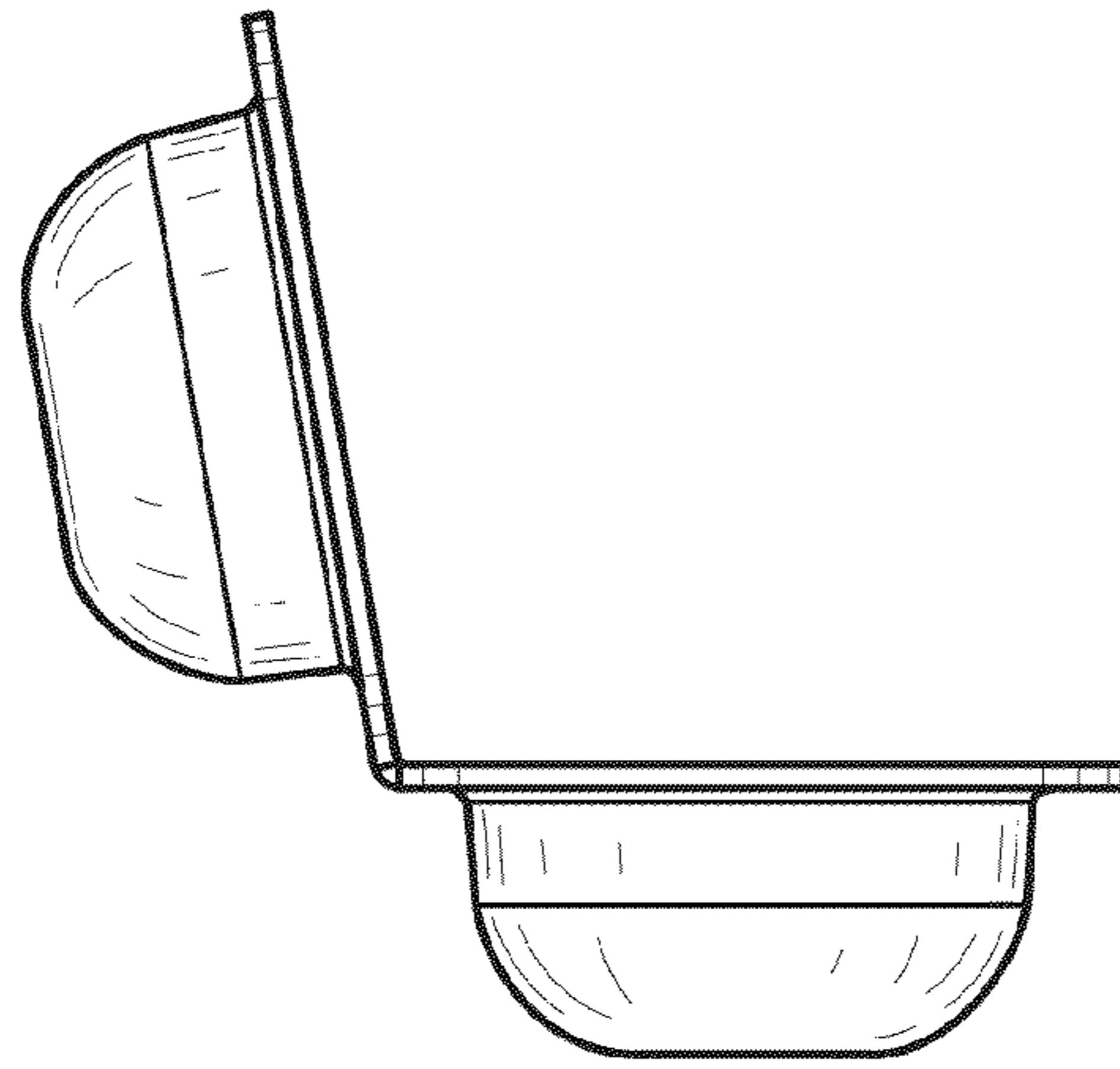


FIG. 9

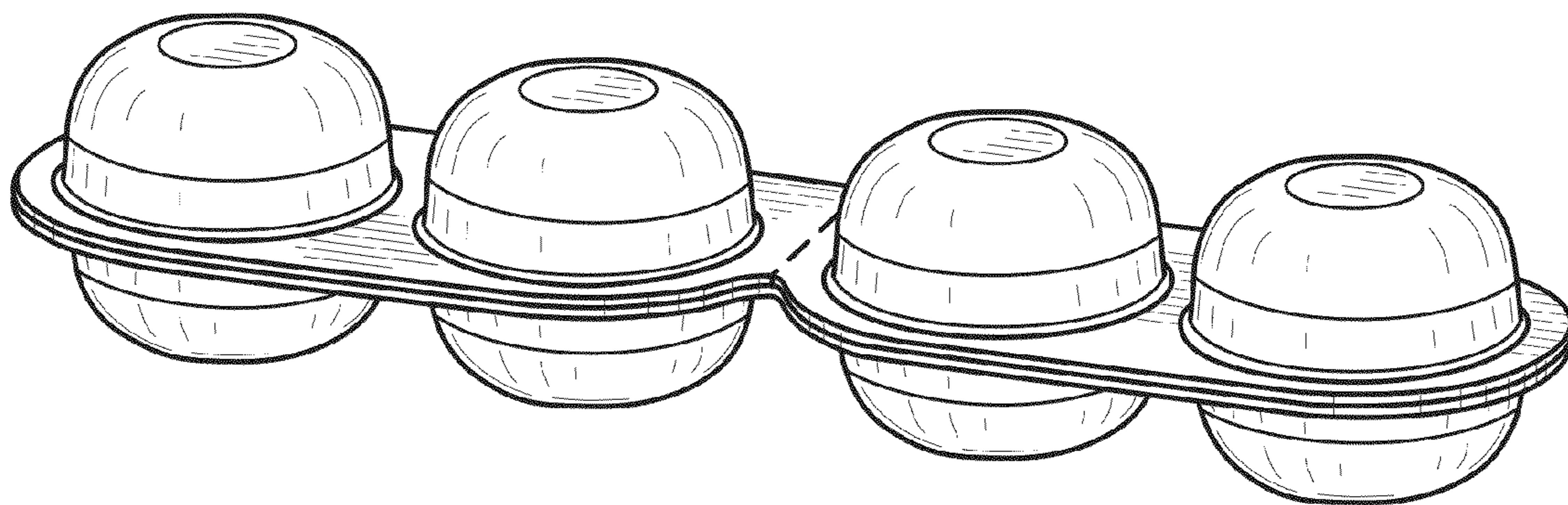


FIG. 10

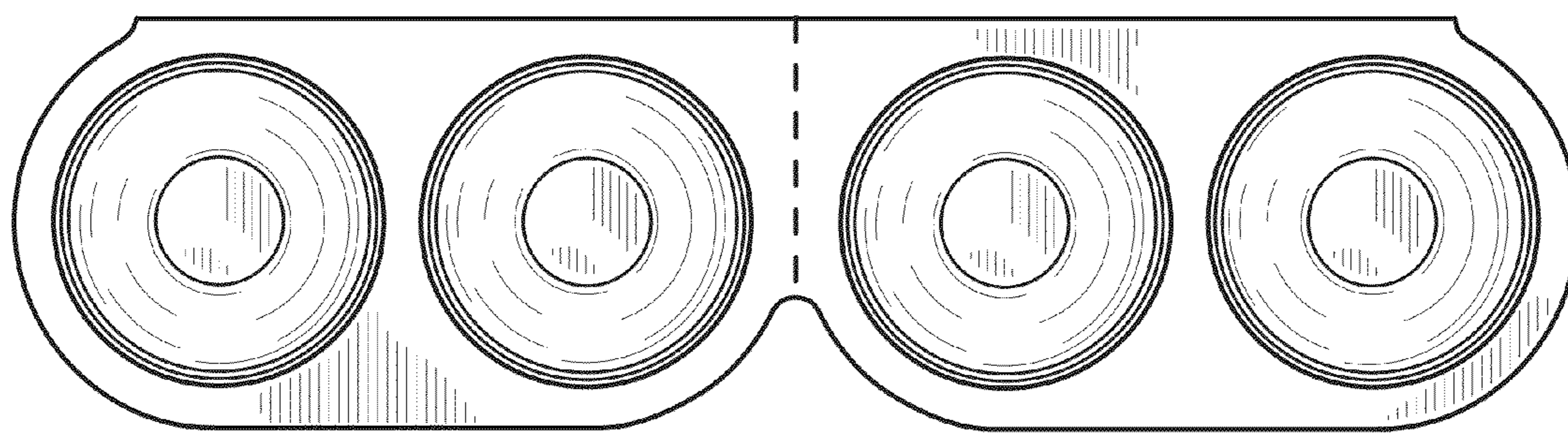


FIG. 11

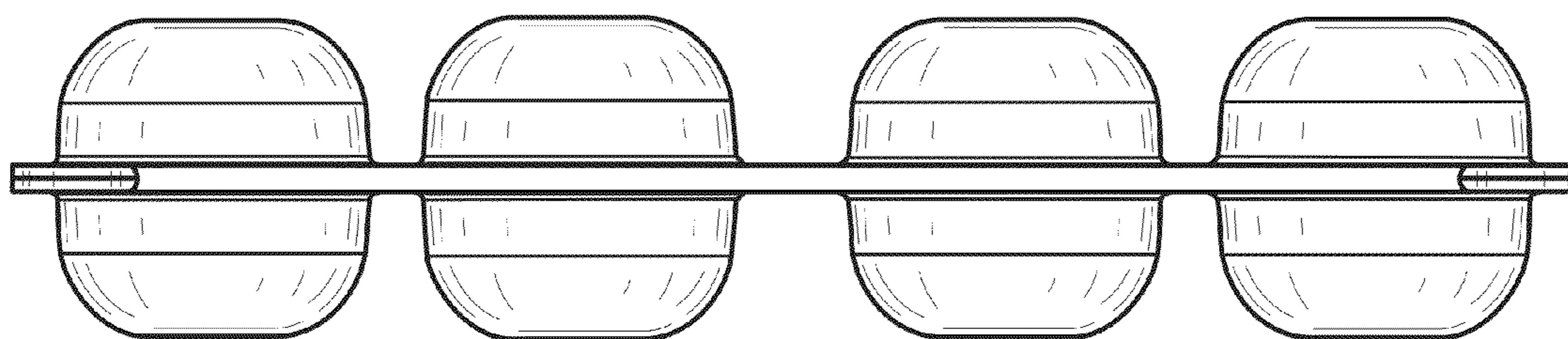


FIG. 12

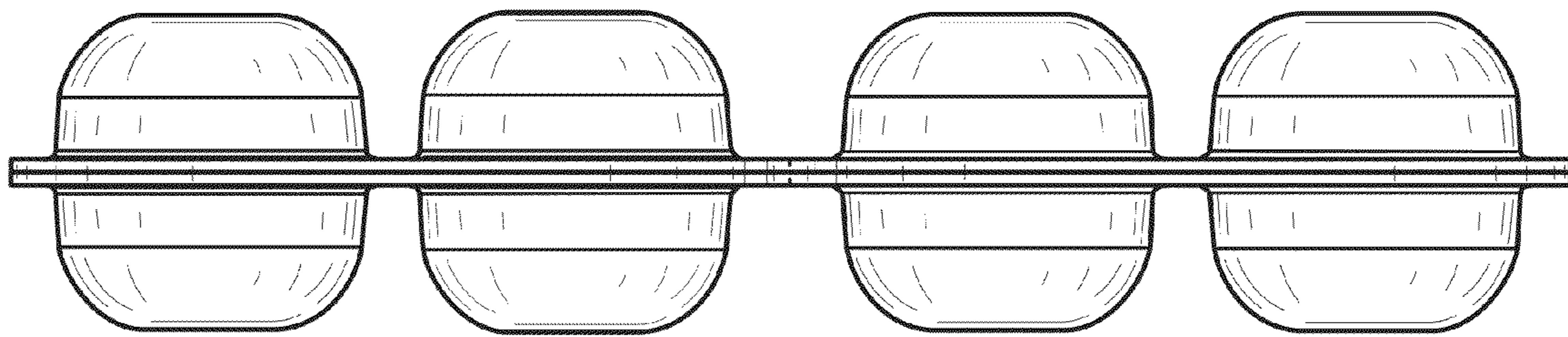


FIG. 13

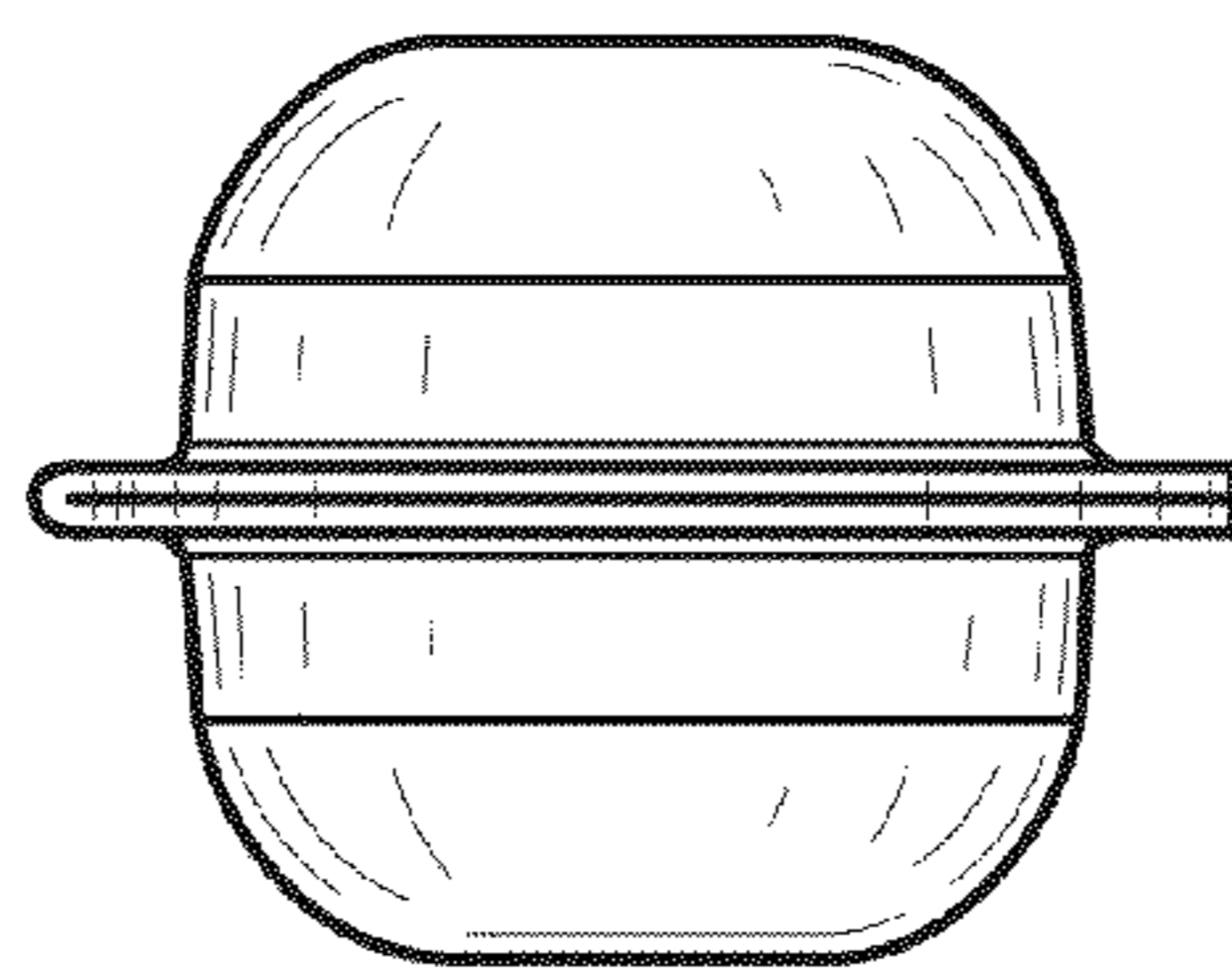


FIG. 14

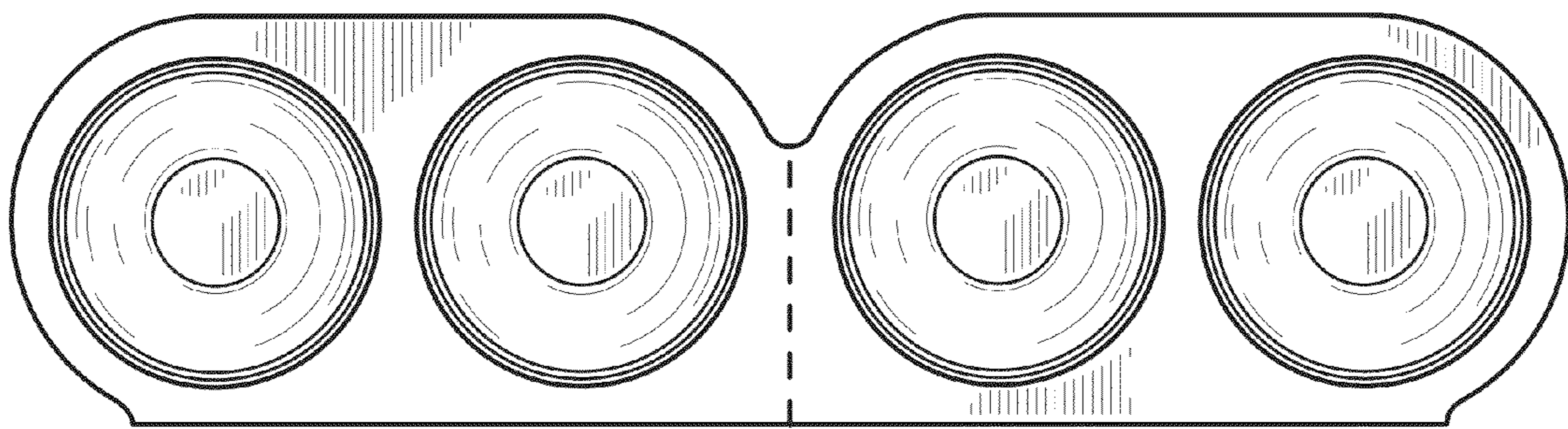


FIG. 15