



US00D756800S

(12) **United States Design Patent**
Fenech, III

(10) **Patent No.:** **US D756,800 S**
(45) **Date of Patent:** **** May 24, 2016**

- (54) **PACKAGE**
- (71) Applicant: **Intercontinental Great Brands LLC**,
East Hanover, NJ (US)
- (72) Inventor: **Louis Peter Fenech, III**, Morristown, NJ
(US)
- (73) Assignee: **Intercontinental Great Brands LLC**,
East Hanover, NJ (US)

4,252,238 A *	2/1981	Spiegelberg et al.	383/210.1
4,420,080 A	12/1983	Nakamura	
4,552,269 A	11/1985	Chang	
4,616,470 A	10/1986	Nakamura	
4,679,693 A	7/1987	Forman	
4,723,301 A	2/1988	Chang	
4,739,879 A	4/1988	Nakamura	
4,790,436 A	12/1988	Nakamura	
4,838,429 A	6/1989	Fabisiewicz et al.	
4,840,270 A	6/1989	Caputo et al.	
4,874,096 A	10/1989	Tessera-Chiesa	

(Continued)

(**) Term: **14 Years**

FOREIGN PATENT DOCUMENTS

(21) Appl. No.: **29/467,053**

BR	MU7001668 U	5/1991
BR	PI0401127 A	1/2005

(Continued)

(22) Filed: **Sep. 13, 2013**

(51) **LOC (10) Cl.** **09-05**

(52) **U.S. Cl.**
USPC **D9/707**

(58) **Field of Classification Search**
USPC D9/414, 424, 499, 430, 431, 702, 711,
D9/730, 734; D3/20, 201, 203.1, 205, 272,
D3/273, 315, 316, 901; D24/121, 128;
D7/601, 602, 607, 641; 206/205, 210,
206/216, 233, 389, 395, 548, 581, 812;
221/33, 36, 45, 46, 47, 52, 199, 255,
221/259, 305, 309; D6/512, 515, 518, 522;
222/92, 95, 96; 426/121, 122, 124
CPC B65D 85/00; B65D 81/00; B65D 81/22;
B65D 8583/0805; B65D 8583/0055; A47K
2010/3266; A47K 10/42; A47K 10/421
See application file for complete search history.

Primary Examiner — Derrick Holland
Assistant Examiner — Lauren Calve
(74) *Attorney, Agent, or Firm* — Fitch, Even, Tabin &
Flannery LLP

(57) **CLAIM**
The ornamental design for a package, substantially as shown
and described.

DESCRIPTION

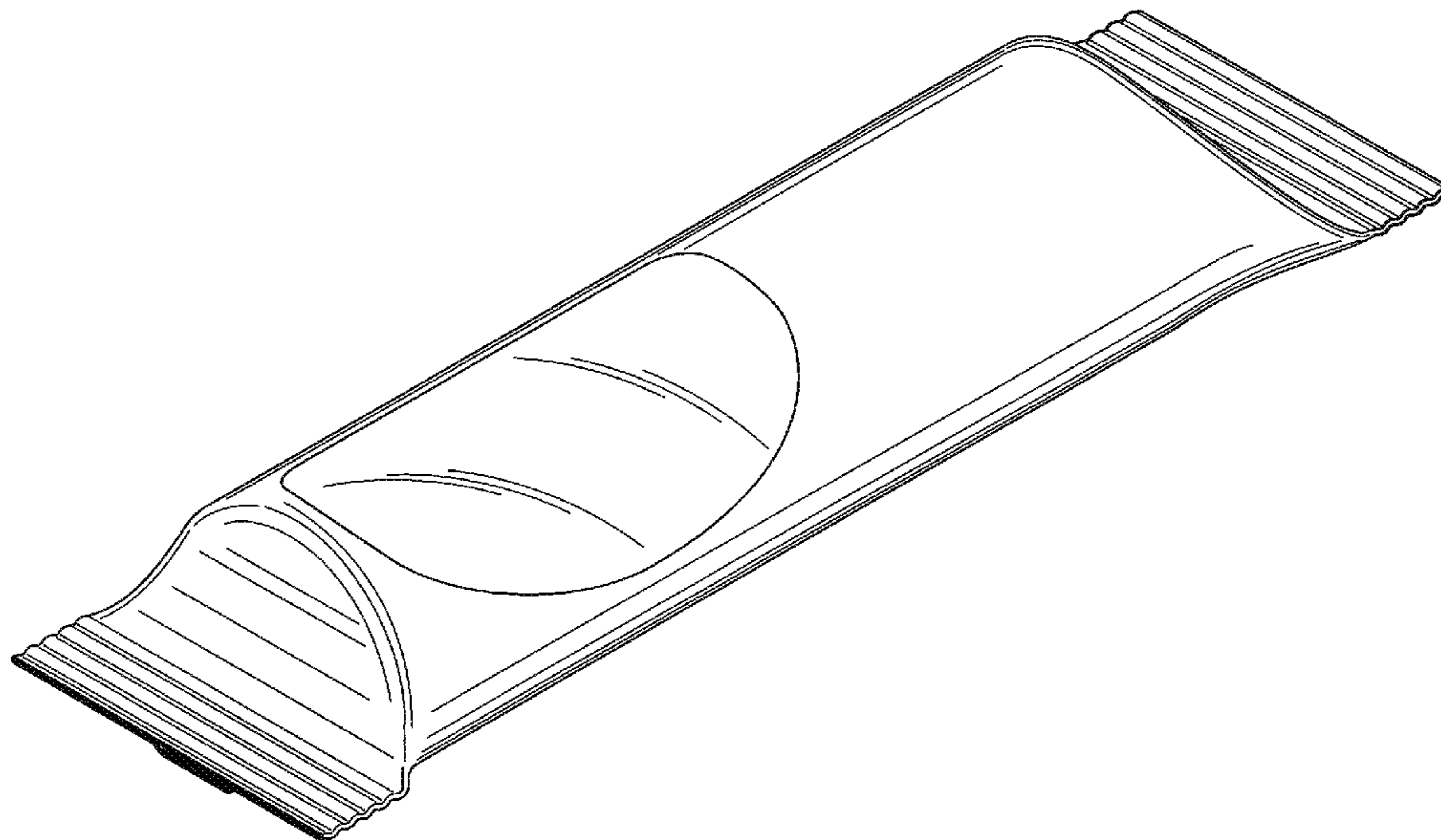
FIG. 1 is a perspective view of a package showing my new
design;
FIG. 2 is a top plan view of the package of FIG. 1;
FIG. 3 is a bottom plan view of the package of FIG. 1;
FIG. 4 is a rear elevational view of the package of FIG. 1;
FIG. 5 is a front elevational view of the package of FIG. 1;
FIG. 6 is a left side elevational view of the package of FIG. 1;
and,
FIG. 7 is a right side elevational view of the package of FIG.
1.

(56) **References Cited**

U.S. PATENT DOCUMENTS

2,982,659 A *	5/1961	Mote	426/126
3,473,650 A *	10/1969	Roderick	383/200
3,674,195 A *	7/1972	Stone	383/211
4,185,754 A *	1/1980	Julius	221/63

1 Claim, 4 Drawing Sheets



(56)

References Cited

U.S. PATENT DOCUMENTS

4,881,644 A * 11/1989 Norquest et al. 206/363
 5,029,712 A 7/1991 O'Brien et al.
 5,096,113 A 3/1992 Focke
 5,125,211 A 6/1992 O'Brien et al.
 5,207,943 A * 5/1993 Cullen et al. 252/188.28
 5,730,354 A 3/1998 O'Connor
 D394,605 S * 5/1998 Skiba et al. D9/709
 5,791,465 A 8/1998 Niki et al.
 6,053,318 A * 4/2000 Petterson 206/440
 6,126,009 A * 10/2000 Shiffler et al. 206/494
 6,309,105 B1 10/2001 Palumbo
 6,543,640 B2 * 4/2003 Russo 221/34
 6,767,604 B2 7/2004 Muir, Jr. et al.
 6,918,532 B2 7/2005 Sierra-Gomez et al.
 D556,036 S 11/2007 Lohrman et al.
 7,325,686 B2 2/2008 Aldridge
 7,371,008 B2 * 5/2008 Bonenfant 383/5
 D610,467 S * 2/2010 Kozarsky D9/707
 D619,478 S * 7/2010 Drewnowski et al. D9/707
 7,901,719 B2 3/2011 Aldridge
 D643,745 S * 8/2011 Hartley D9/707
 8,038,349 B2 10/2011 Andersson et al.
 8,141,711 B2 * 3/2012 Perry 206/581
 8,172,086 B2 5/2012 Aldridge et al.
 D715,634 S * 10/2014 Stevens D9/414
 2004/0149613 A1 * 8/2004 Mizutani et al. 206/440
 2004/0178104 A1 * 9/2004 Mizutani et al. 206/440
 2004/0251163 A1 * 12/2004 Conde et al. 206/494
 2007/0023436 A1 2/2007 Sierra-Gomez et al.
 2007/0138248 A1 6/2007 Wallen et al.
 2007/0275133 A1 * 11/2007 Sierra-Gomez et al. 426/122
 2010/0142864 A1 6/2010 Czarny
 2010/0147736 A1 * 6/2010 West et al. 206/581

2011/0204056 A1 8/2011 Veternik et al.
 2012/0128835 A1 5/2012 Lyzenga et al.
 2013/0004626 A1 1/2013 Renders et al.
 2013/0011527 A1 1/2013 Renders et al.
 2013/0224346 A1 * 8/2013 Cheema et al. 426/122

FOREIGN PATENT DOCUMENTS

BR PI0603032 A 3/2007
 BR PI0510773 A 11/2007
 BR PI0511058-0 A 11/2007
 BR PI0704152 A 8/2008
 BR P10800745 A2 11/2008
 CN 202574875 U 12/2012
 EP 0934889 A1 8/1999
 EP 1637472 A1 3/2006
 EP 1679269 A1 7/2006
 EP 1749756 A2 2/2007
 EP 2360104 A2 8/2011
 EP 2368811 A1 9/2011
 MX PA06012847 A 1/2007
 MX PA06013061 A 2/2007
 WO 0140073 A1 6/2001
 WO 2005110042 A2 11/2005
 WO 2005110876 A1 11/2005
 WO 2006108614 A1 10/2006
 WO 2008086388 A1 7/2008
 WO 2009111153 A1 9/2009
 WO 2010002834 A1 1/2010
 WO 2011092171 A1 8/2011
 WO 2011117190 A1 9/2011
 WO 2011146627 A1 11/2011
 WO 2011146658 A1 11/2011
 WO 2012166381 A1 12/2012

* cited by examiner

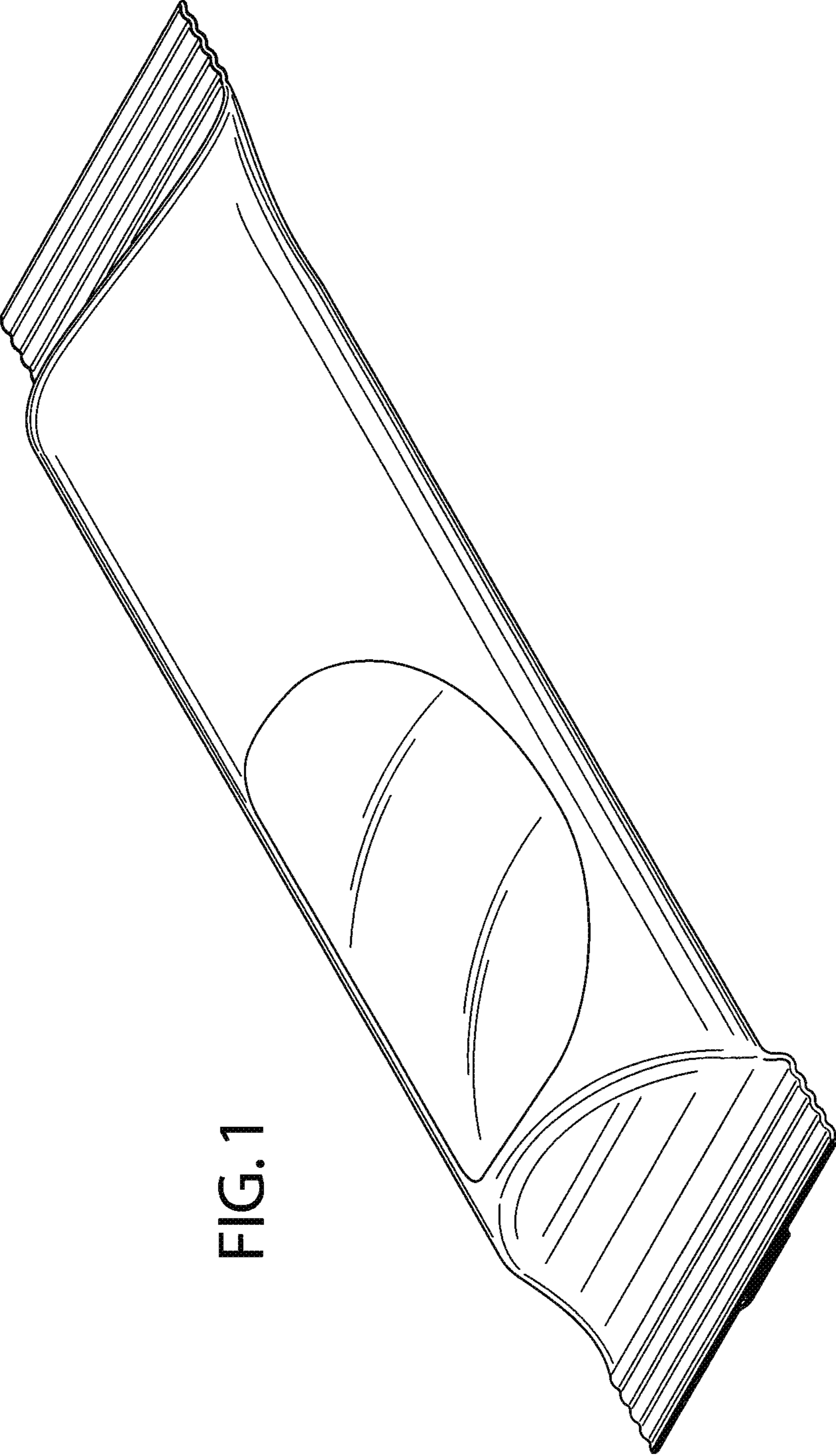


FIG. 1

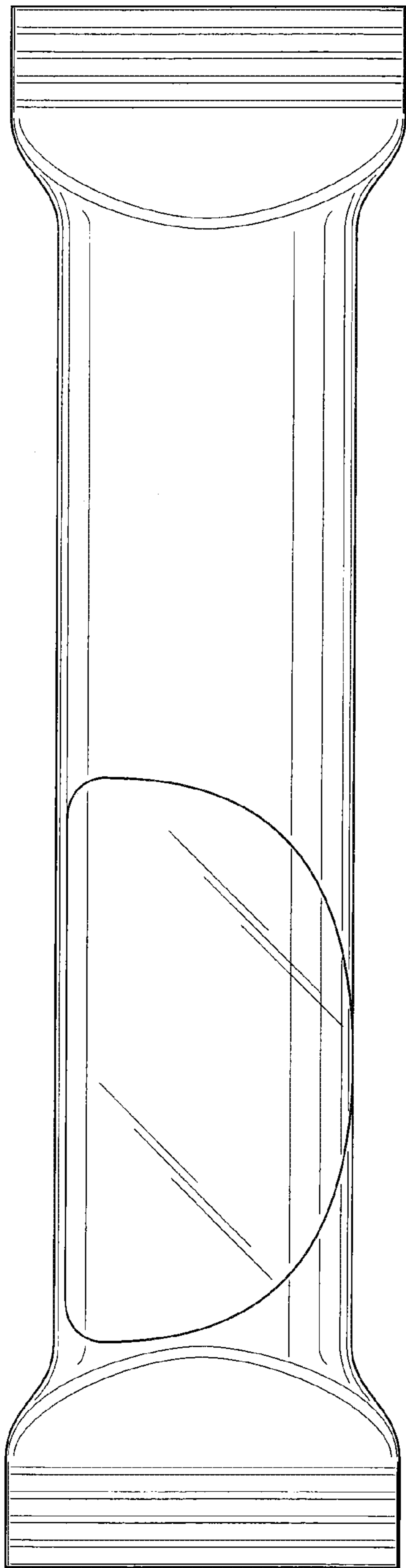


FIG. 2

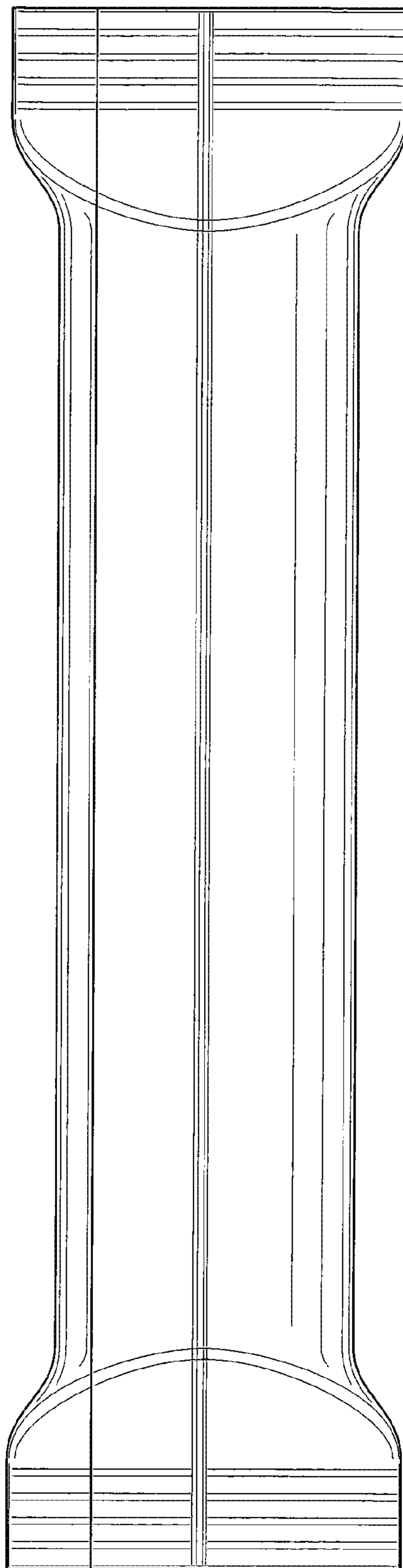


FIG. 3

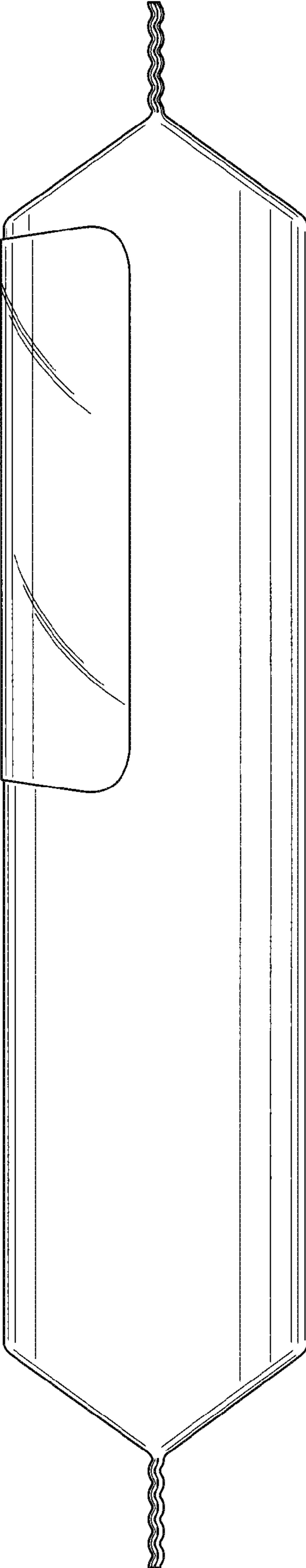


FIG. 4

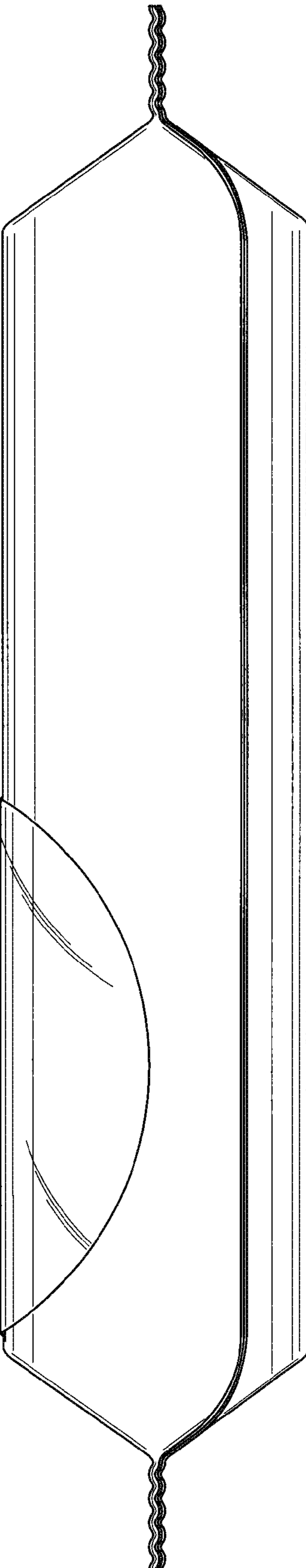


FIG. 5

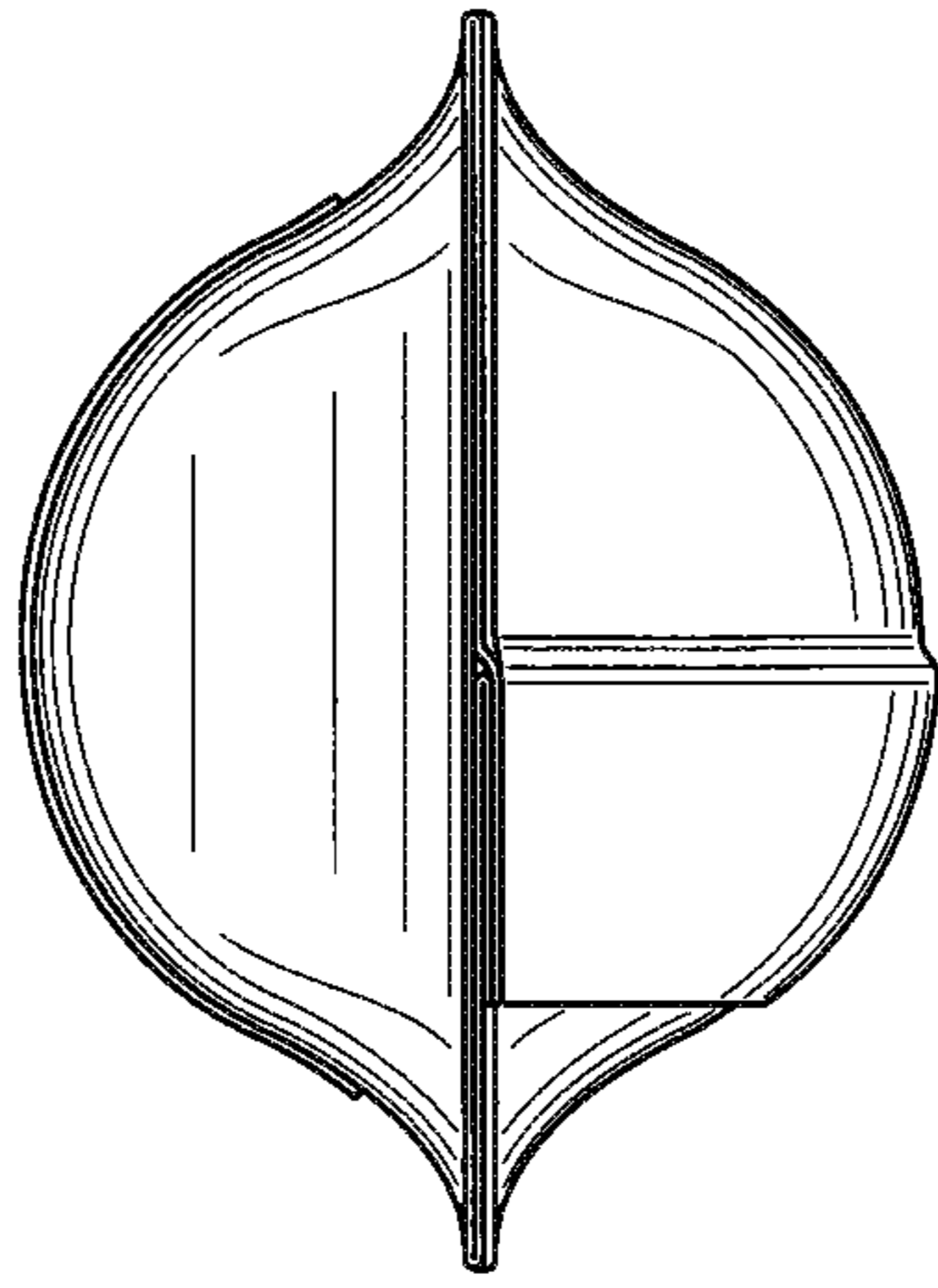


FIG. 7

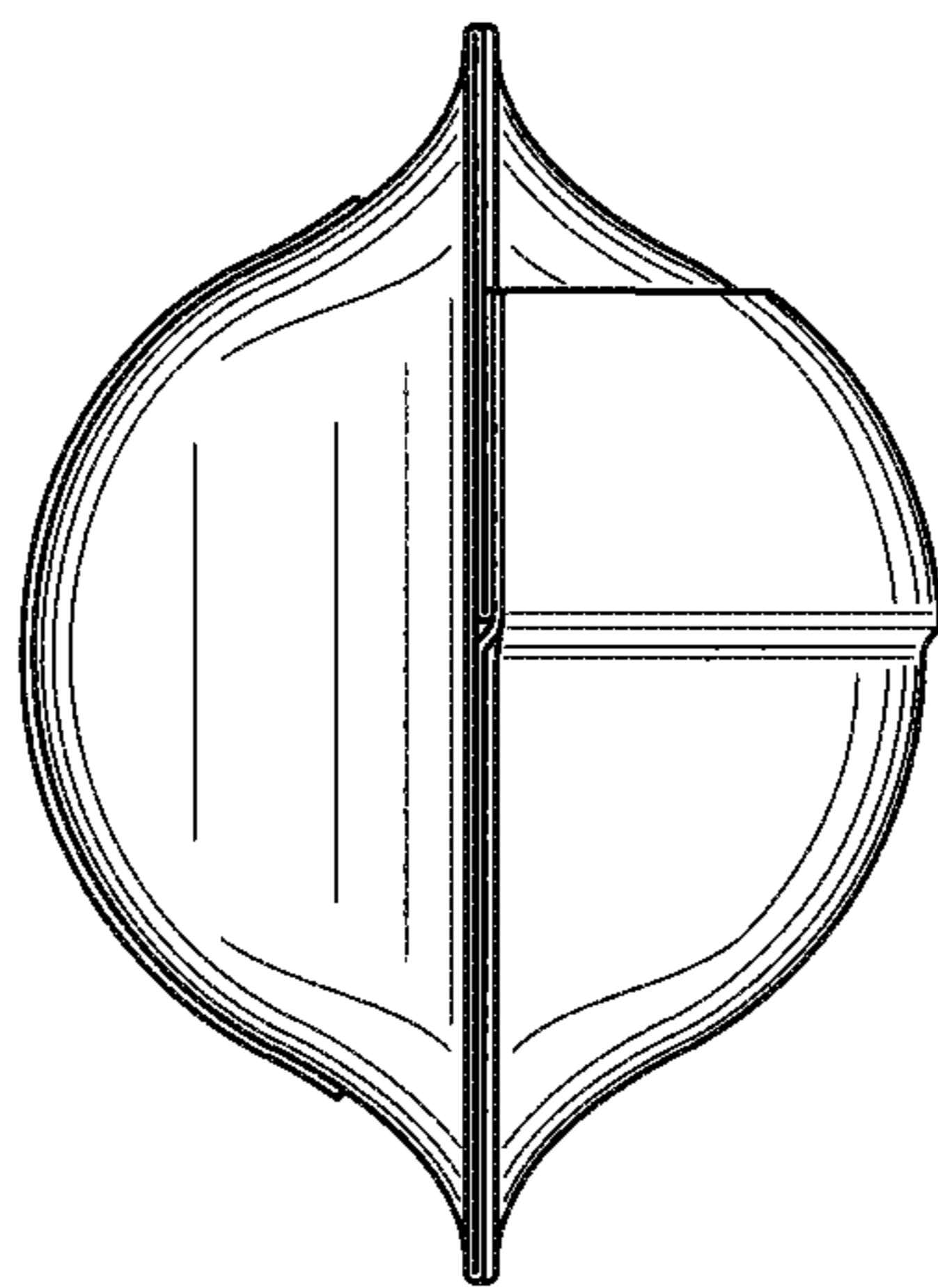


FIG. 6