



US00D756799S

(12) **United States Design Patent**
Moretti

(10) **Patent No.:** **US D756,799 S**

(45) **Date of Patent:** **** May 24, 2016**

(54) **BOTTLE WITH DISPENSING CAP**

(71) Applicant: **LUMSON S.p.A.**, Capergnanica (CR)
(IT)

(72) Inventor: **Matteo Moretti**, Crema (IT)

(73) Assignee: **LUMSON S.P.A.**, Capergnanica (CR)
(IT)

(**) Term: **14 Years**

(21) Appl. No.: **29/489,318**

(22) Filed: **Apr. 29, 2014**

(30) **Foreign Application Priority Data**

Oct. 30, 2013 (EM) 002335711-0002
Apr. 24, 2014 (EM) 002451989

(51) **LOC (10) Cl.** **09-01**

(52) **U.S. Cl.**
USPC **D9/690; D9/503**

(58) **Field of Classification Search**
USPC D9/434, 435, 440, 447, 449, 499, 503,
D9/505, 523, 548, 549, 553, 559, 682, 686,
D9/688, 690; D28/91.1
CPC A45D 34/00; A45D 34/02; B65D 83/20;
B65D 83/40; B65D 83/48; B65D 47/2093
See application file for complete search history.

(56) **References Cited**

U.S. PATENT DOCUMENTS

2,998,165 A * 8/1961 De Elorza A45D 34/02
222/182
D215,698 S * 10/1969 Jordan et al. D9/688
D281,764 S * 12/1985 Legrottaglie D9/504
D310,022 S * 8/1990 Anderson D9/688
D347,165 S * 5/1994 Schneider D9/688
D388,707 S * 1/1998 de LaForcade D9/448

(Continued)

Primary Examiner — Robert M Spear

(74) *Attorney, Agent, or Firm* — Vorys, Sater, Seymour and Pease LLP

(57) **CLAIM**

The ornamental design for a bottle with dispensing cap, as shown and described.

DESCRIPTION

FIG. 1 is a perspective view of a first embodiment of a bottle with dispensing cap taken from above;

FIG. 2 is a perspective view of a first embodiment of a bottle with dispensing cap taken from the bottom;

FIG. 3 is a right-side view of the bottle with dispensing cap of FIG. 1;

FIG. 4 is a frontal view of the bottle with dispensing cap of FIG. 1;

FIG. 5 is a left-side view of the bottle with dispensing cap of FIG. 1;

FIG. 6 is a rear view of the bottle with dispensing cap of FIG. 1;

FIG. 7 is a top view of the bottle with dispensing cap of FIG. 1;

FIG. 8 is a bottom view of the bottle with dispensing cap of FIG. 1.

FIG. 9 is a perspective view of a second embodiment of a bottle with dispensing cap taken from above;

FIG. 10 is a perspective view of a second embodiment of a bottle with dispensing cap taken from the bottom;

FIG. 11 is a right-side view of the bottle with dispensing cap of FIG. 9;

FIG. 12 is a frontal view of the bottle with dispensing cap of FIG. 9;

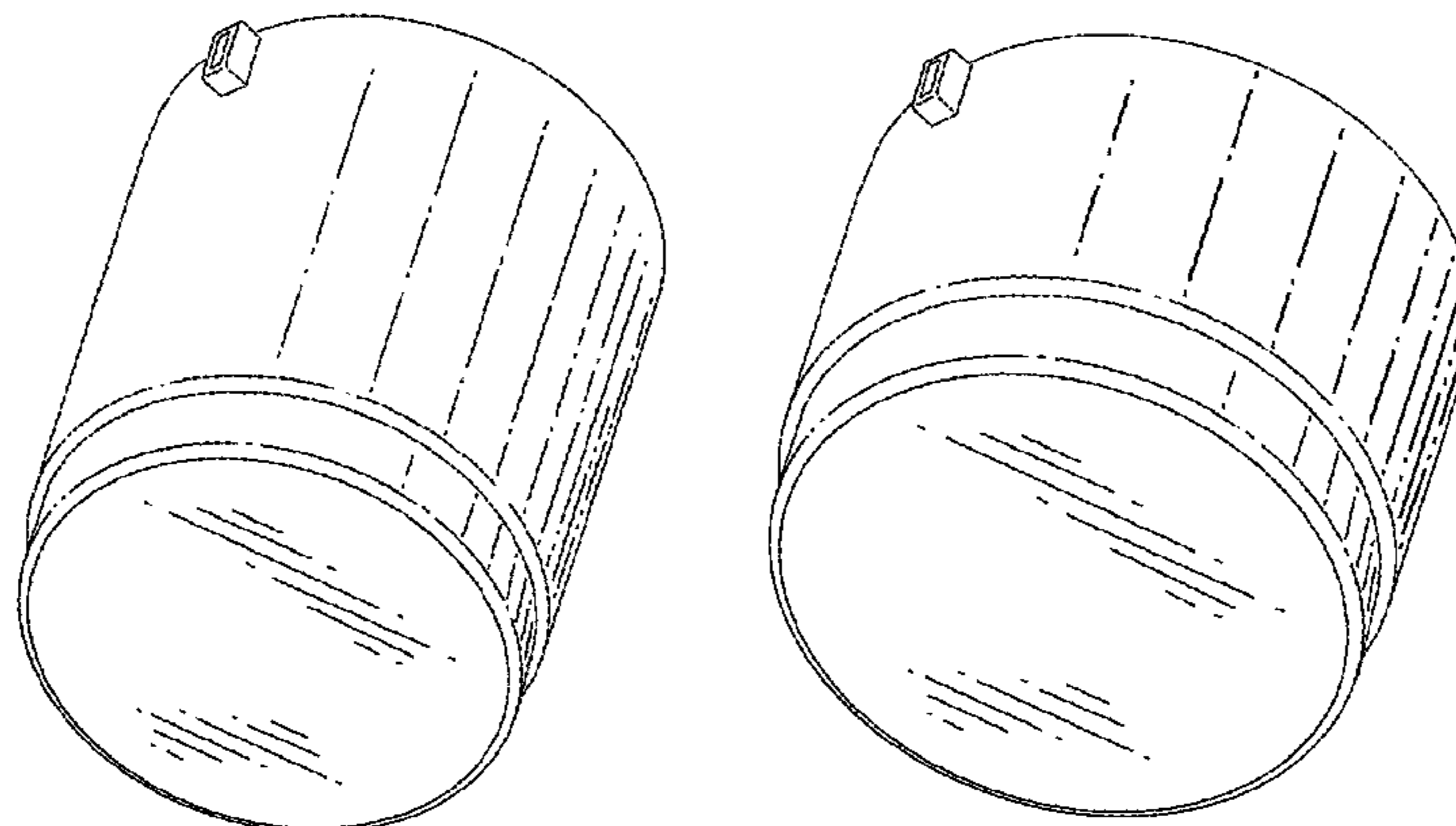
FIG. 13 is a left-side view of the bottle with dispensing cap of FIG. 9;

FIG. 14 is a rear view of the bottle with dispensing cap of FIG. 9;

FIG. 15 is a top view of the bottle with dispensing cap of FIG. 9; and,

FIG. 16 is a bottom view of the bottle with dispensing cap of FIG. 9.

1 Claim, 8 Drawing Sheets



(56)

References Cited

U.S. PATENT DOCUMENTS

D401,150 S *	11/1998	de Laforcade	D9/448	D621,261 S *	8/2010	DeMarco	D9/504
D494,065 S *	8/2004	Hook	D9/435	D630,949 S *	1/2011	Lim	D9/690
D522,378 S *	6/2006	Honda	D9/689	7,984,833 B2 *	7/2011	Fang	B65D 47/2093 222/260
D555,505 S *	11/2007	Brandt	D9/688	D651,918 S *	1/2012	Daniels	D9/691
D577,290 S *	9/2008	Moretti	D9/500	D657,691 S *	4/2012	Lim	D9/690
D598,286 S *	8/2009	DeMarco	D9/500	D699,112 S *	2/2014	Jung	D28/76
					2012/0187154 A1 *	7/2012	Benson	B05B 11/0043 222/402.12

* cited by examiner

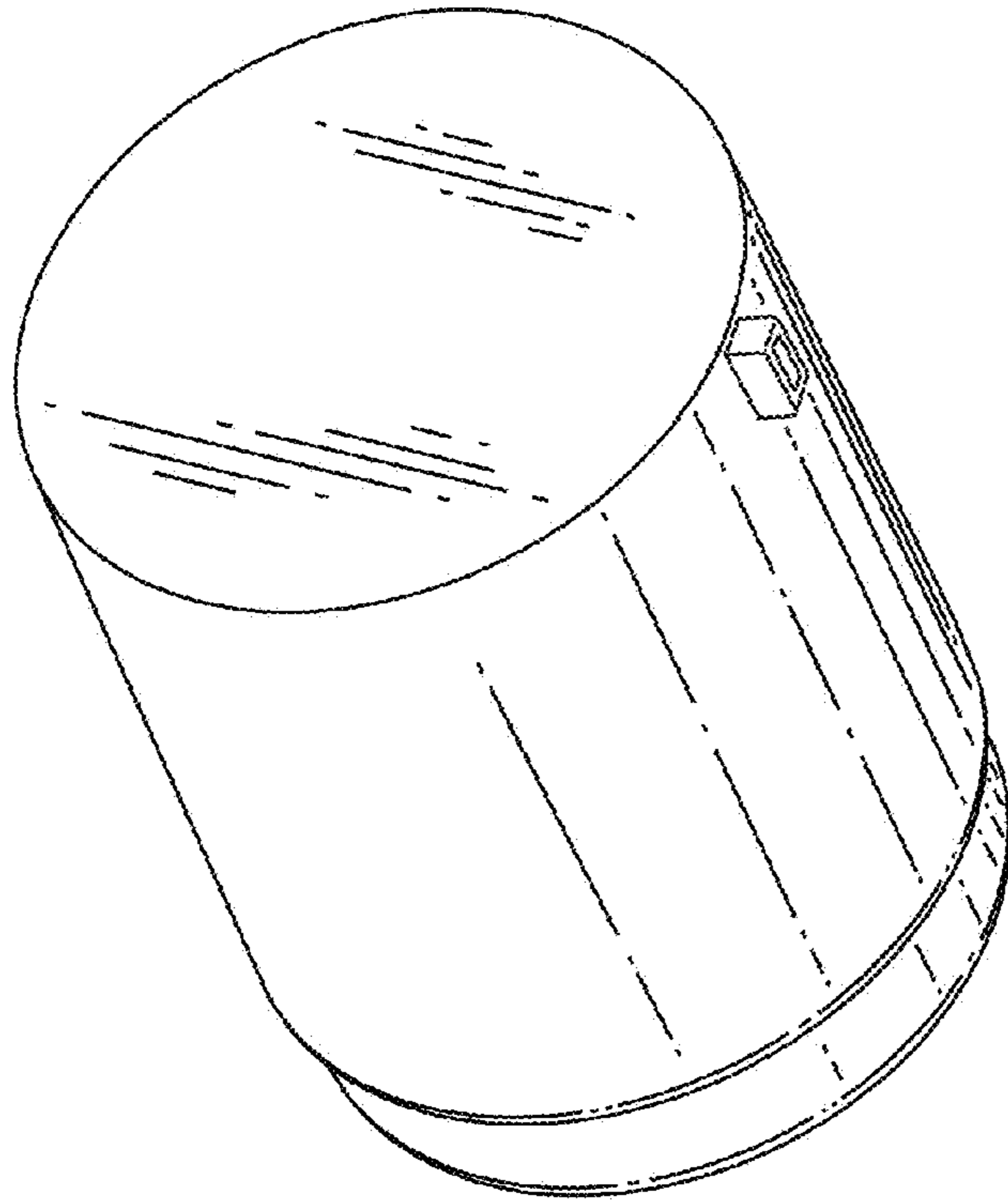


Fig. 1

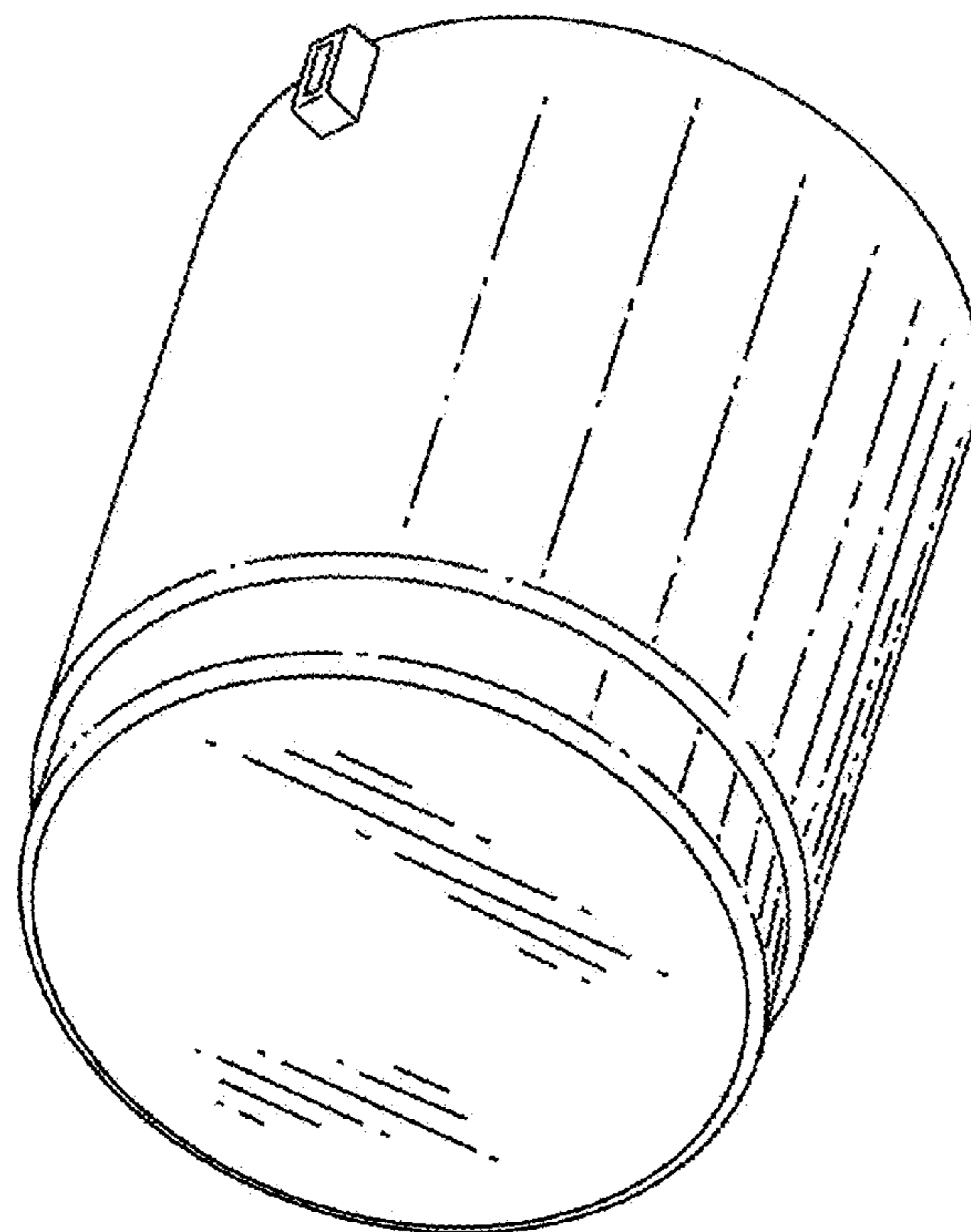


Fig. 2

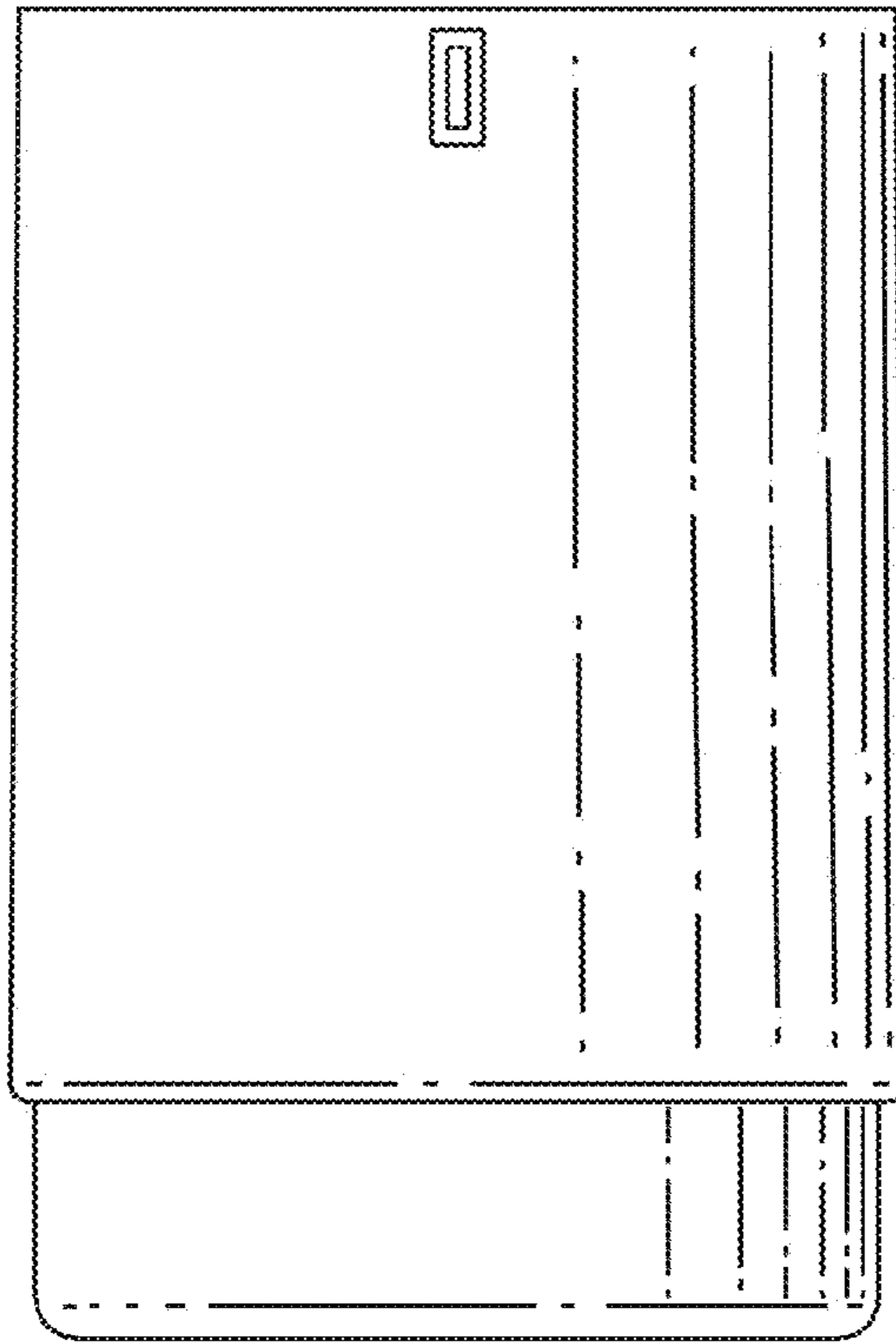


Fig. 3

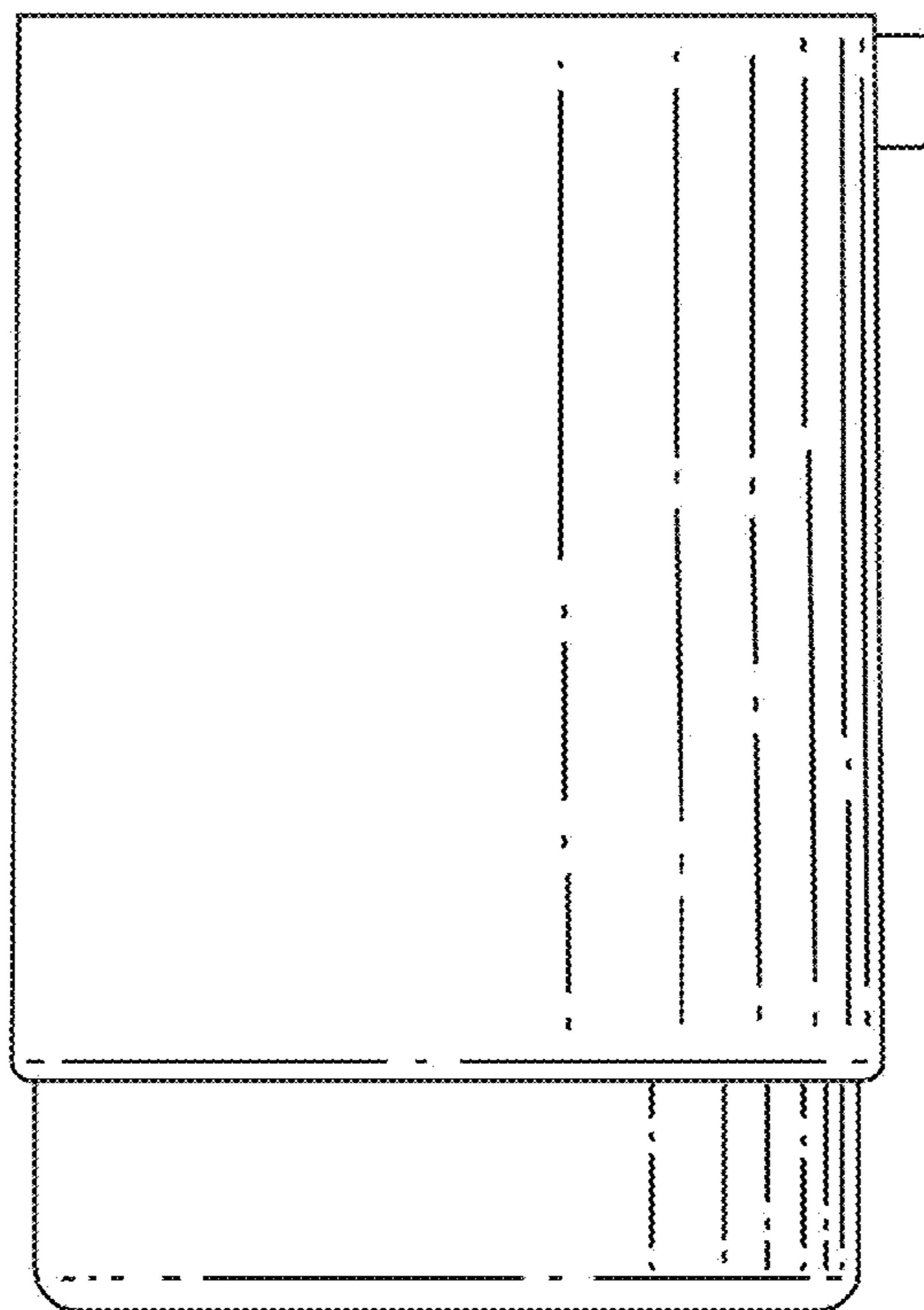


Fig. 4

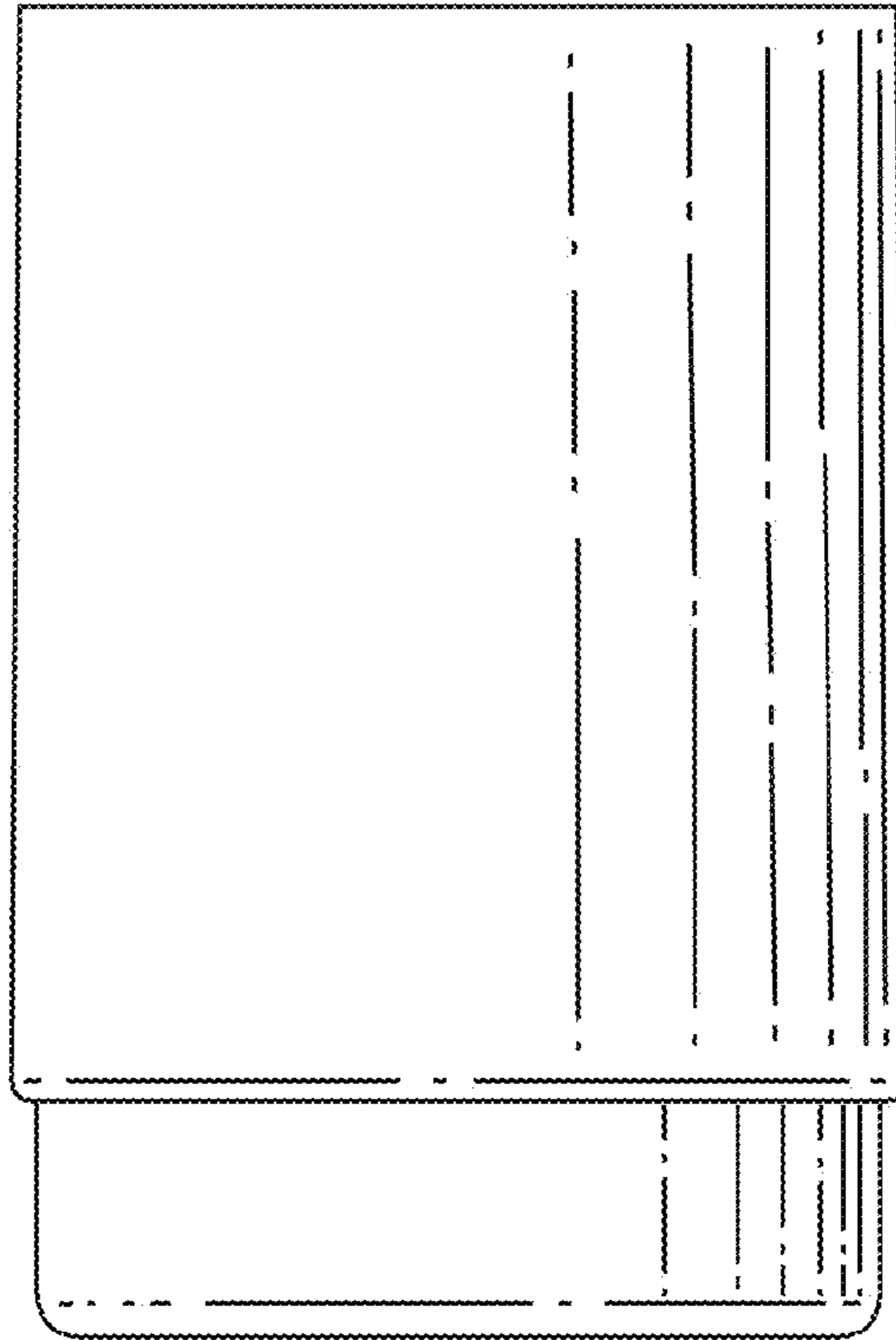


Fig. 5

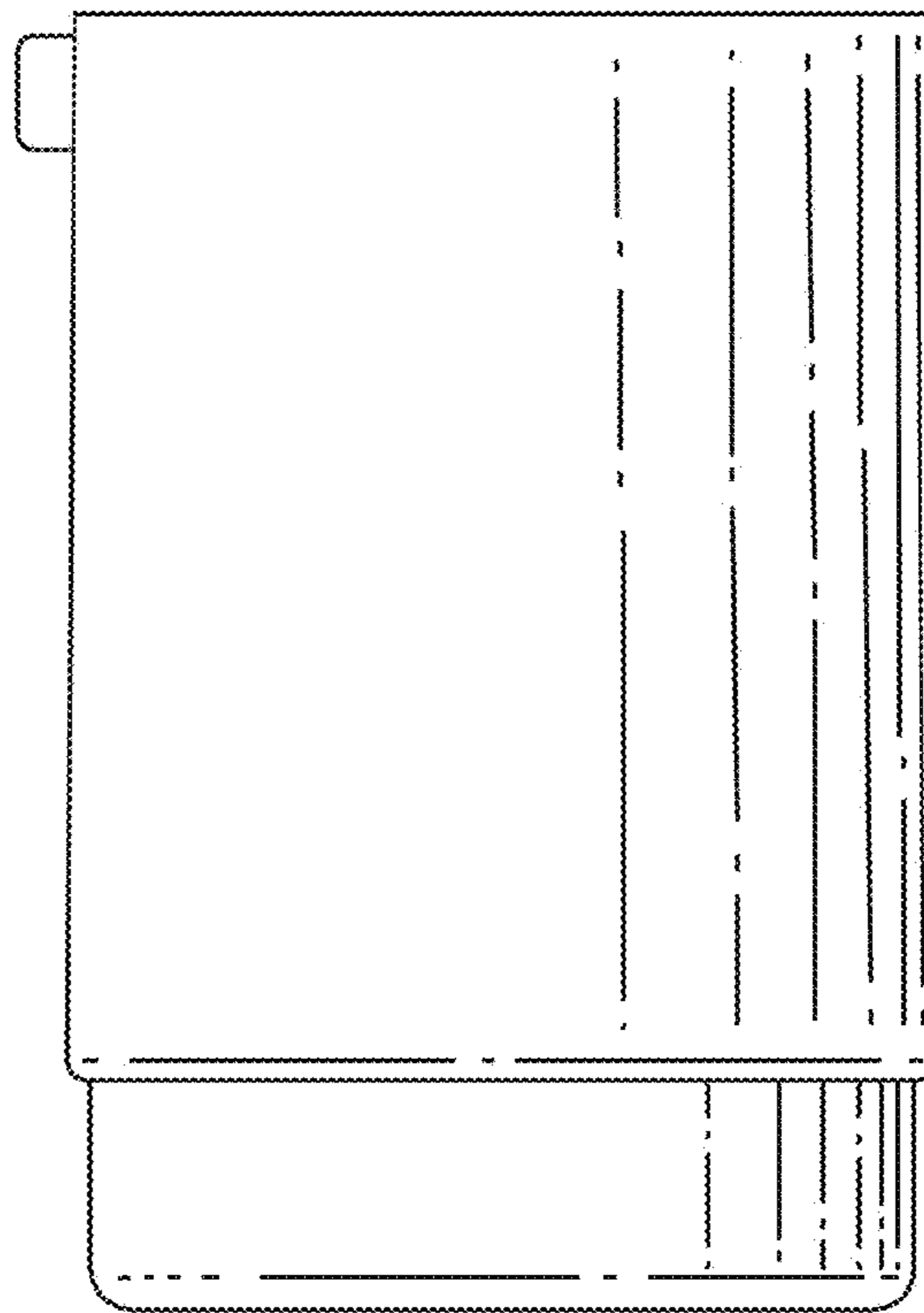


Fig. 6

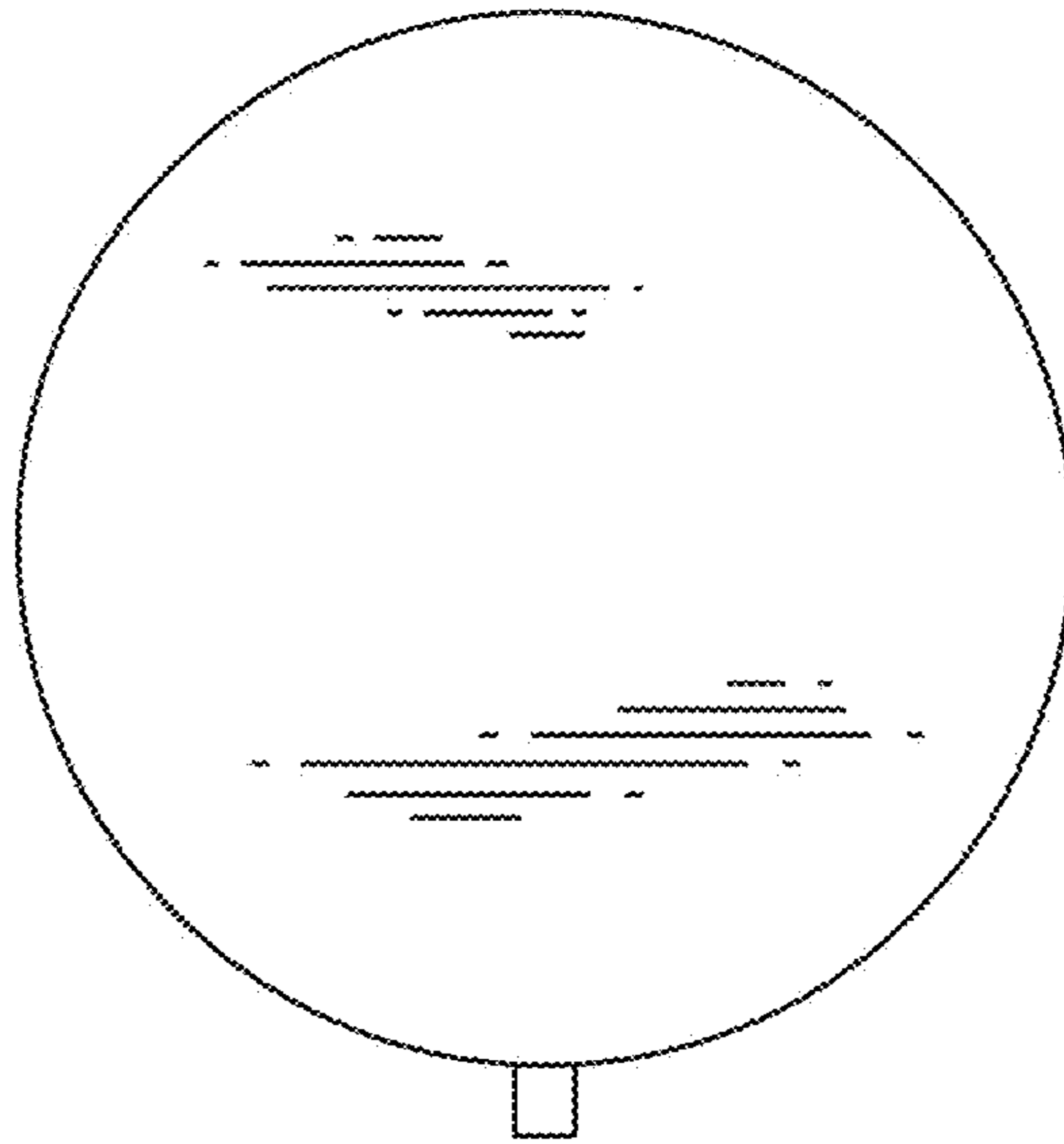


Fig. 7

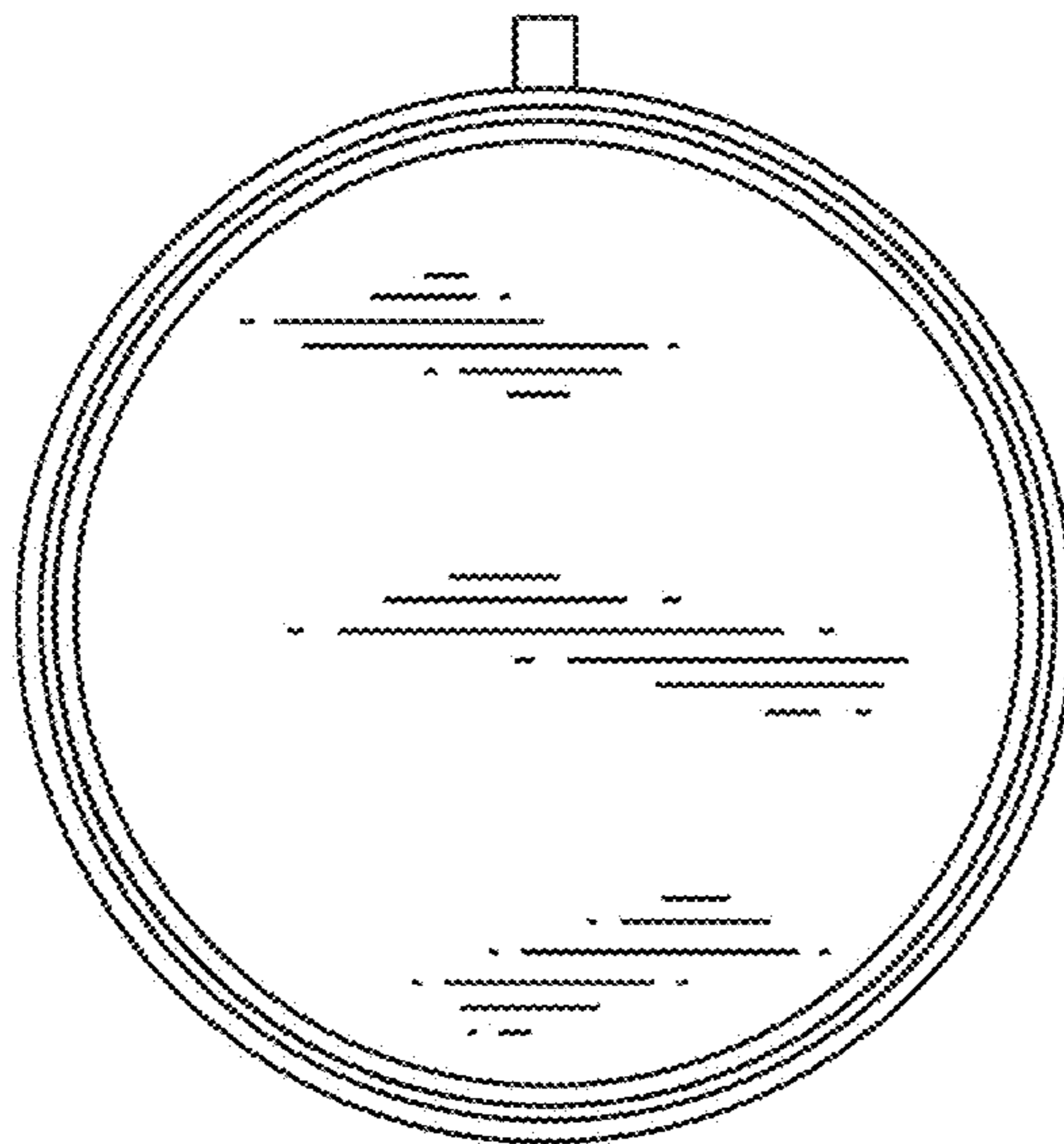


Fig. 8

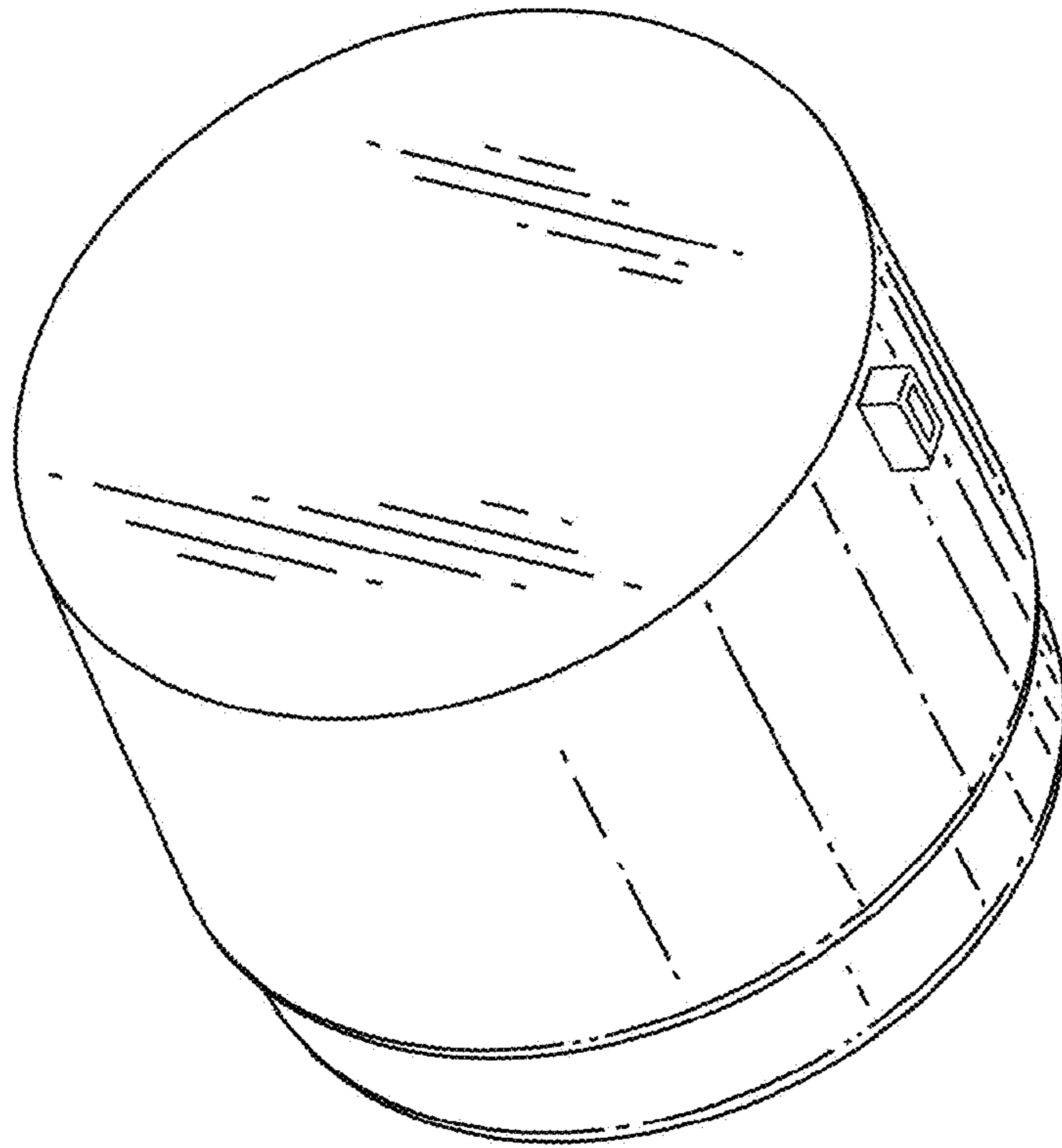


Fig. 9

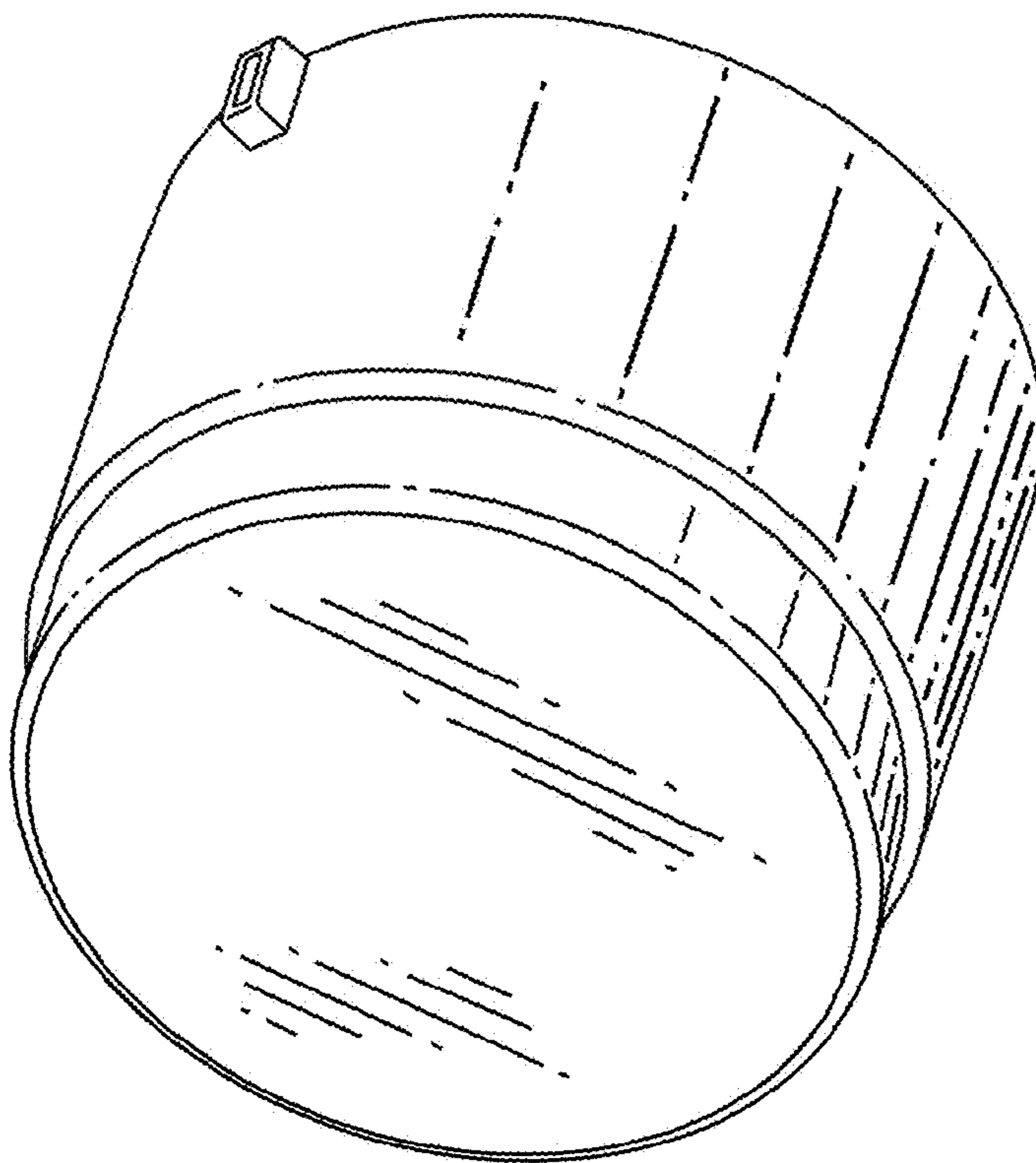


Fig. 10

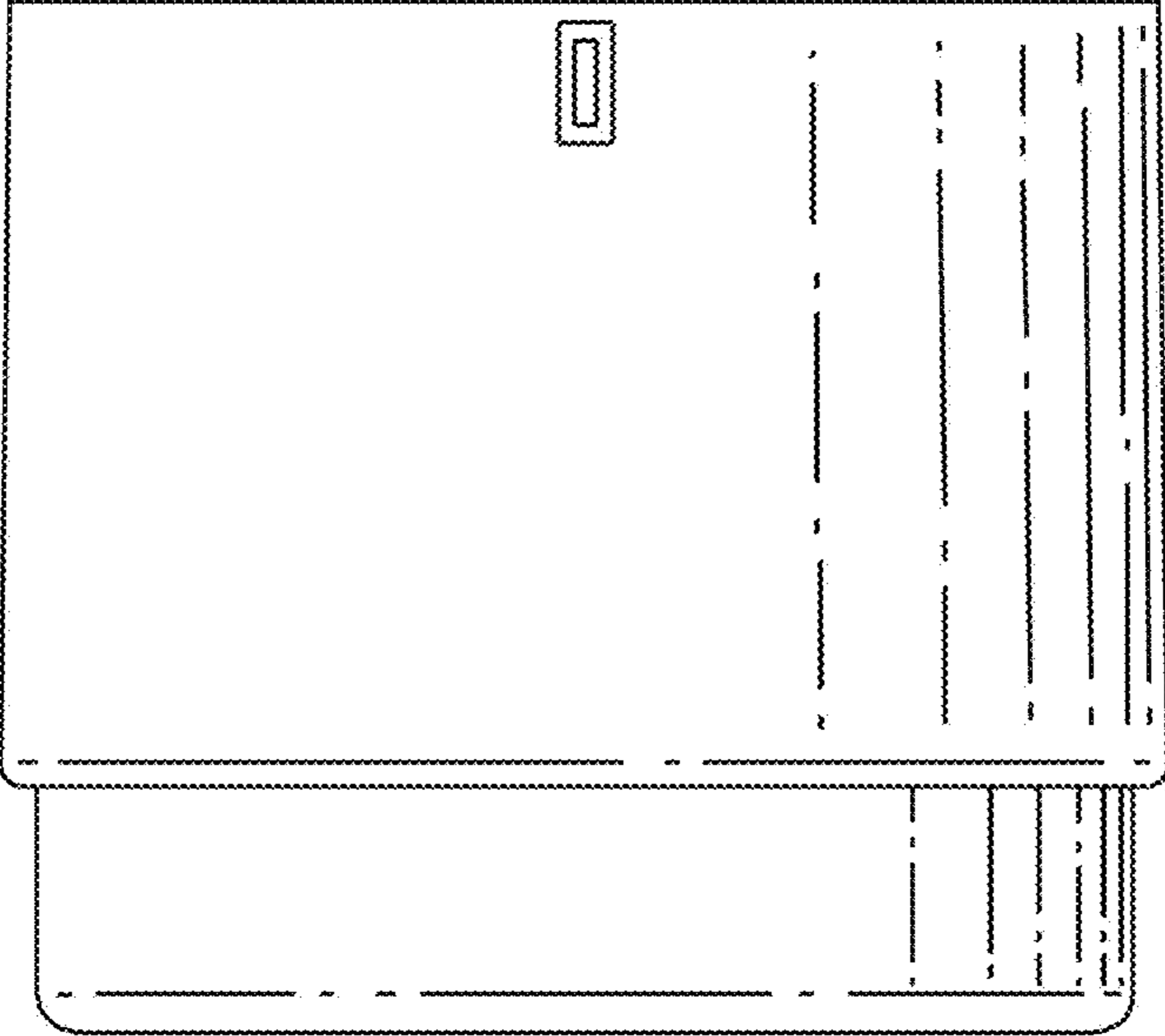


Fig. 11

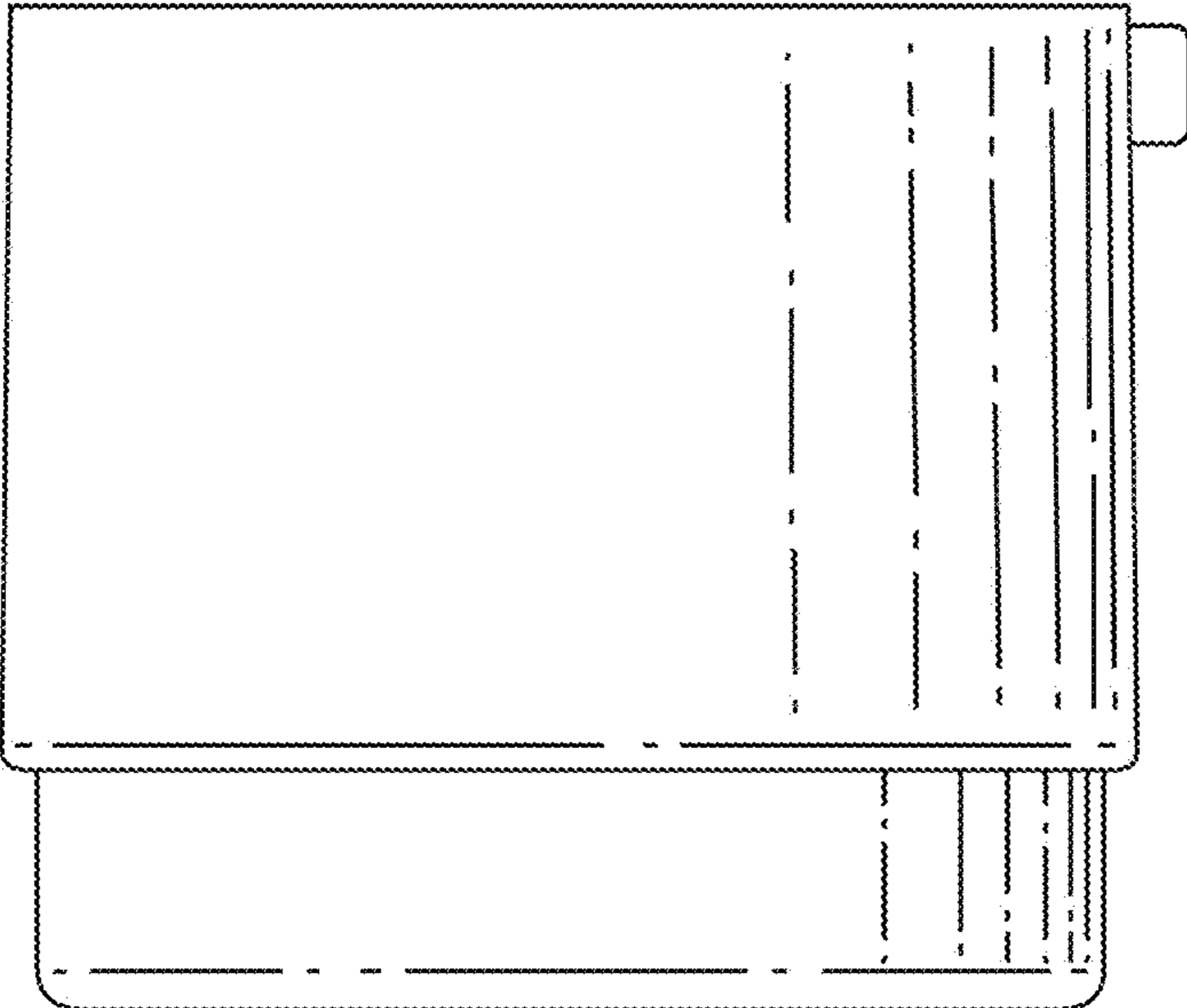


Fig. 12

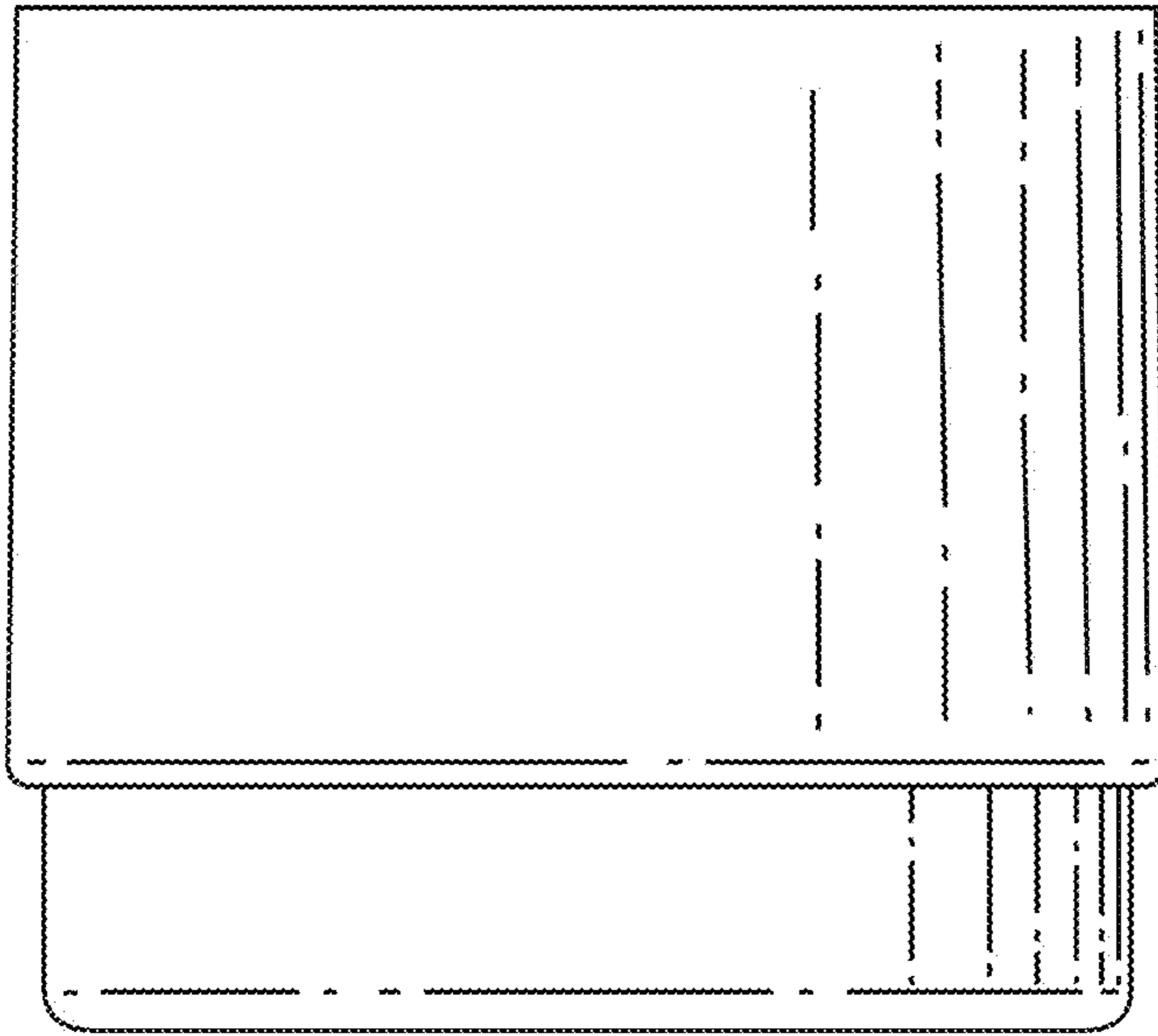


Fig. 13

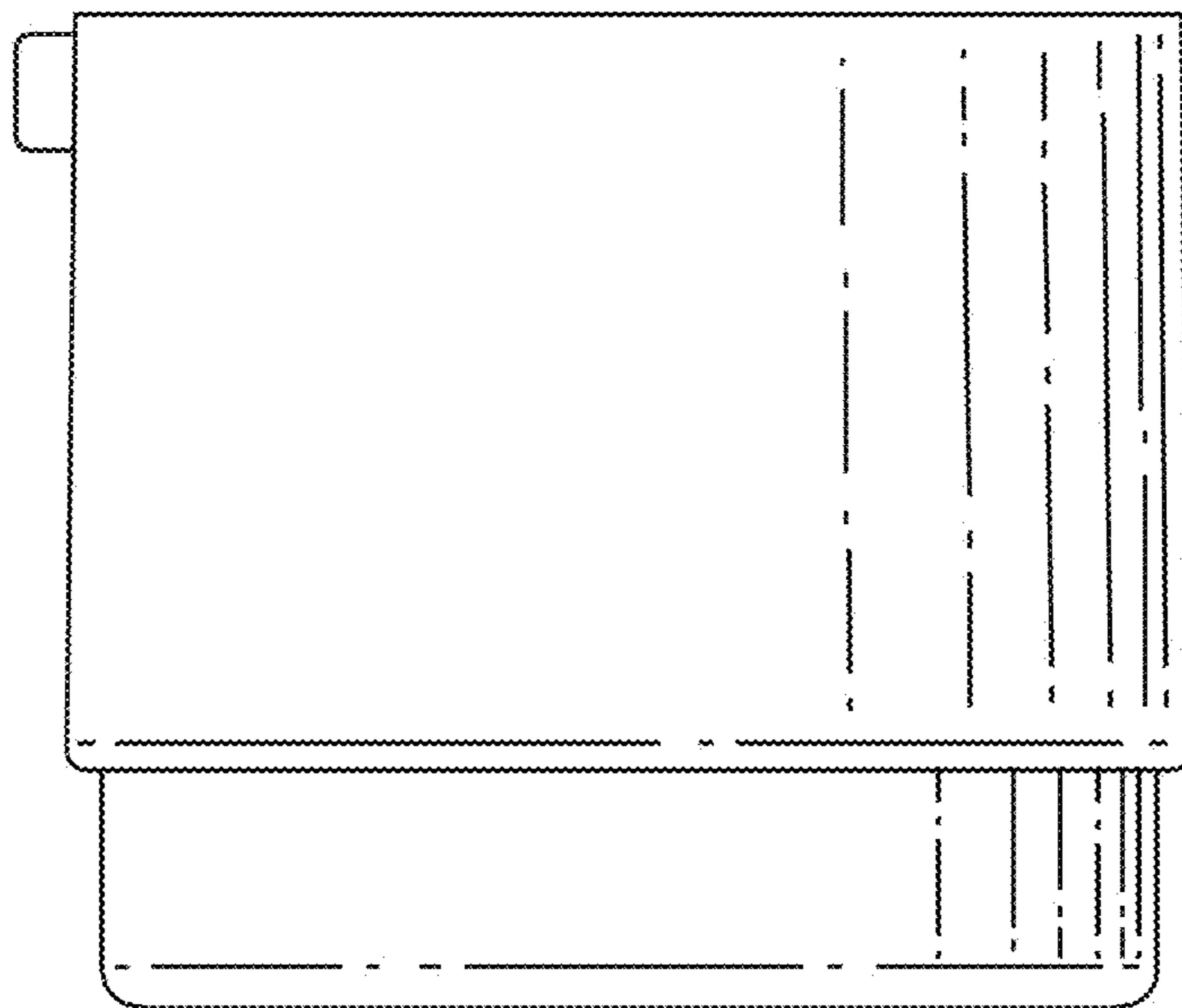


Fig. 14

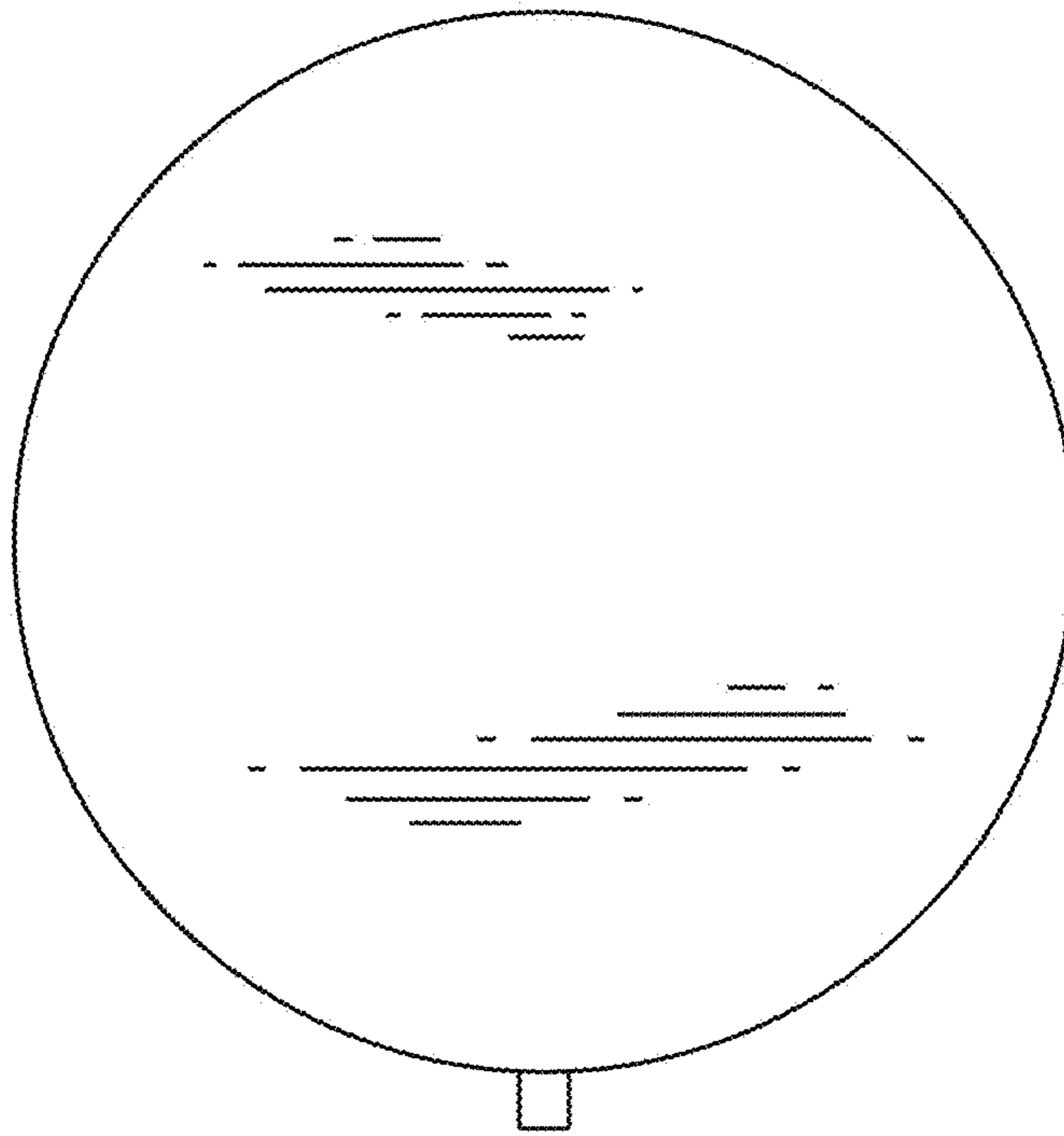


Fig. 15

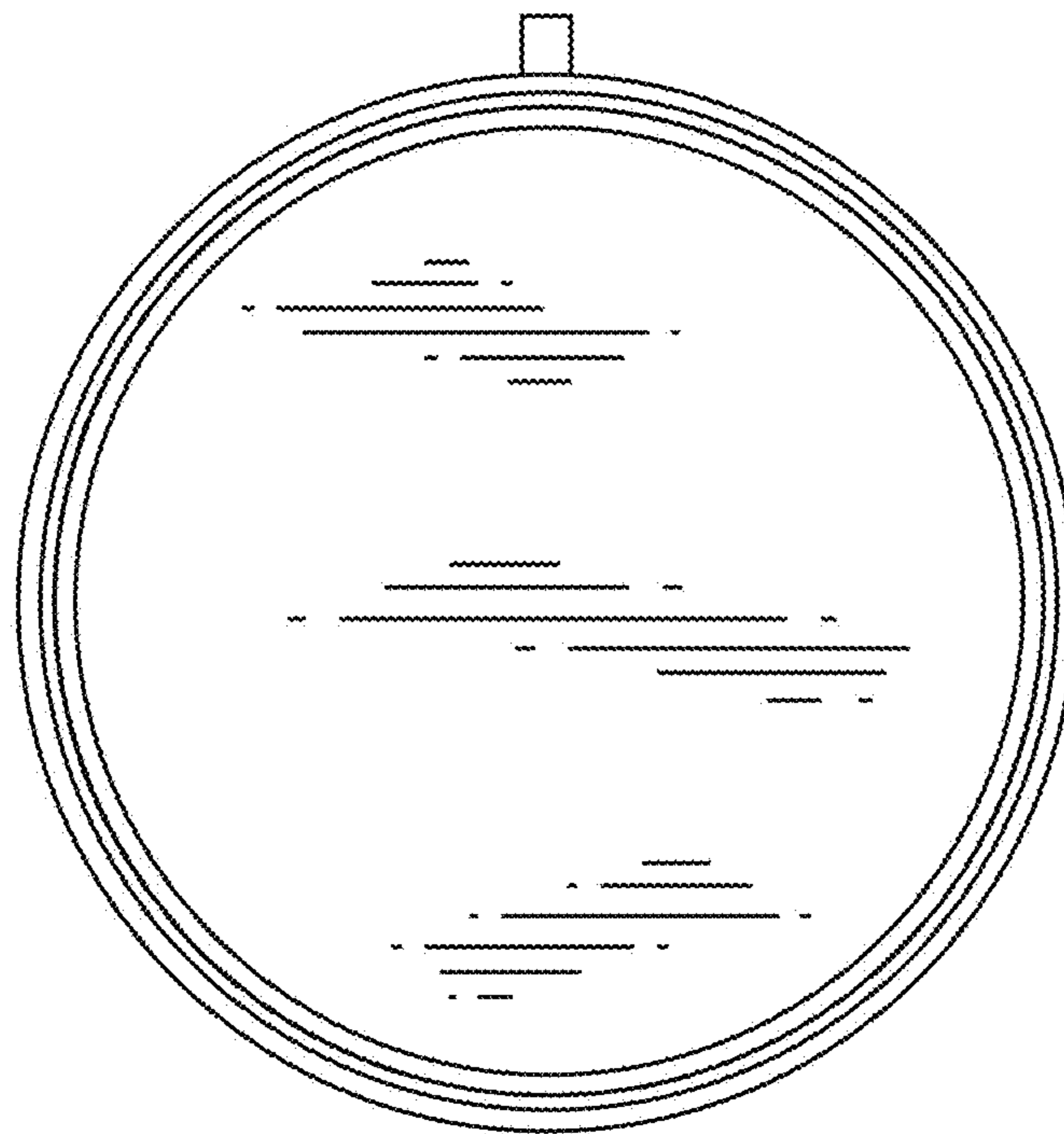


Fig. 16