



US00D756791S

(12) **United States Design Patent**
Tomasson et al.

(10) **Patent No.:** **US D756,791 S**

(45) **Date of Patent:** **** May 24, 2016**

(54) **BOTTLE**

(71) Applicant: **The Coca-Cola Company**, Atlanta, GA (US)

(72) Inventors: **Kris Tomasson**, Munich (DE); **Leyton Hardwick**, London (GB)

(73) Assignee: **The Coca-Cola Company**, Atlanta, GA (US)

(**) Term: **14 Years**

(21) Appl. No.: **29/504,178**

(22) Filed: **Oct. 2, 2014**

(51) **LOC (10) Cl.** **09-01**

(52) **U.S. Cl.**
USPC **D9/516**; D9/540; D9/575

(58) **Field of Classification Search**
USPC D9/500, 502, 516, 530, 537, 539-540,
D9/549, 550, 557, 558, 562, 575, 600
CPC B65D 1/00; B65D 1/02; B65D 1/0223;
B65D 1/0261; B65D 1/40; B65D 1/42;
B65D 1/44; B65D 23/00; B65D 23/102;
B65D 81/00; B65D 2501/00; B65D
2501/0009; B65D 2501/0018; B65D
2501/0036

See application file for complete search history.

(56) **References Cited**

U.S. PATENT DOCUMENTS

D434,668	S	*	12/2000	Chimetto et al.	D9/541
D556,587	S	*	12/2007	Kruparova	D9/529
D556,593	S	*	12/2007	de Cleir et al.	D9/552
D622,605	S	*	8/2010	Perez et al.	D9/556
D651,905	S	*	1/2012	Bartolomei	D9/538
D666,497	S	*	9/2012	Lepoitevin	D9/516
D699,580	S	*	2/2014	Eaton et al.	D9/516

* cited by examiner

Primary Examiner — Dana L Meyrow

(74) *Attorney, Agent, or Firm* — McAndrews Held & Malloy, Ltd.

(57) **CLAIM**

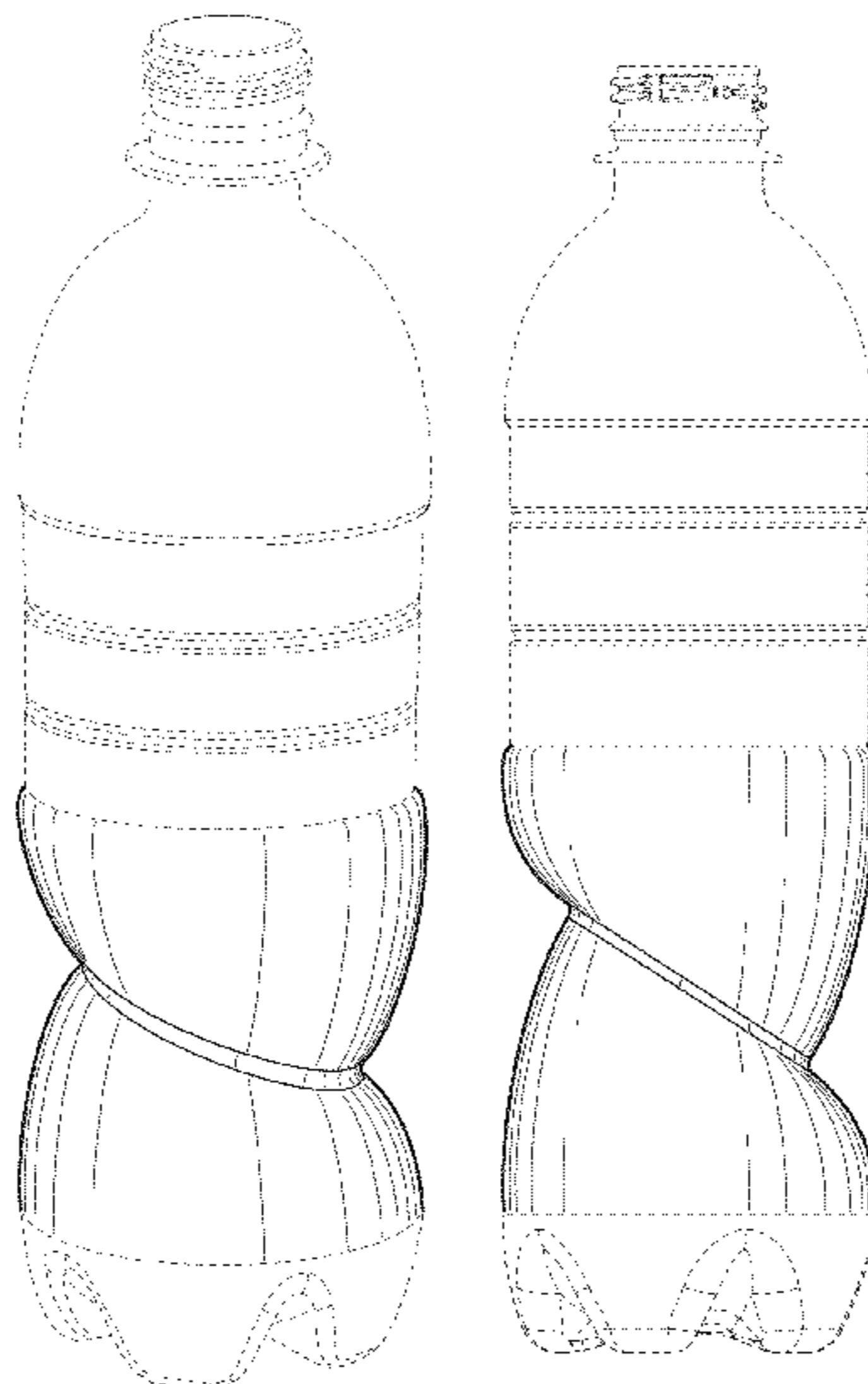
The ornamental design for a bottle, as shown and described.

DESCRIPTION

FIG. 1 is a perspective view of an embodiment of a bottle showing our new design;
FIG. 2 is a top plan view thereof;
FIG. 3 is a bottom plan view thereof;
FIG. 4 is a left side elevation view thereof;
FIG. 5 is a right side elevation view thereof;
FIG. 6 is a front elevation view thereof;
FIG. 7 is a rear elevation view thereof;
FIG. 8 is a perspective view of another embodiment of a bottle showing our new design;
FIG. 9 is a top plan view thereof;
FIG. 10 is a bottom plan view thereof;
FIG. 11 is a left side elevation view thereof;
FIG. 12 is a right side elevation view thereof;
FIG. 13 is a front elevation view thereof; and,
FIG. 14 is a rear elevation view thereof.

The broken lines illustrate portions of the bottle that form no part of the claimed design. The substantially vertical shade lines in the Figures are a drafting convention used to denote the contour of the bottle; they should not be interpreted as surface ornamentation. The oblique line shading shown in FIGS. 8, and 11-14, is used to denote claimed surfaces of the bottle that are transparent; in these figures, the details of the opposing sides as seen through the claimed transparent surfaces of the bottle have not been shown for ease of illustration and understanding.

1 Claim, 4 Drawing Sheets



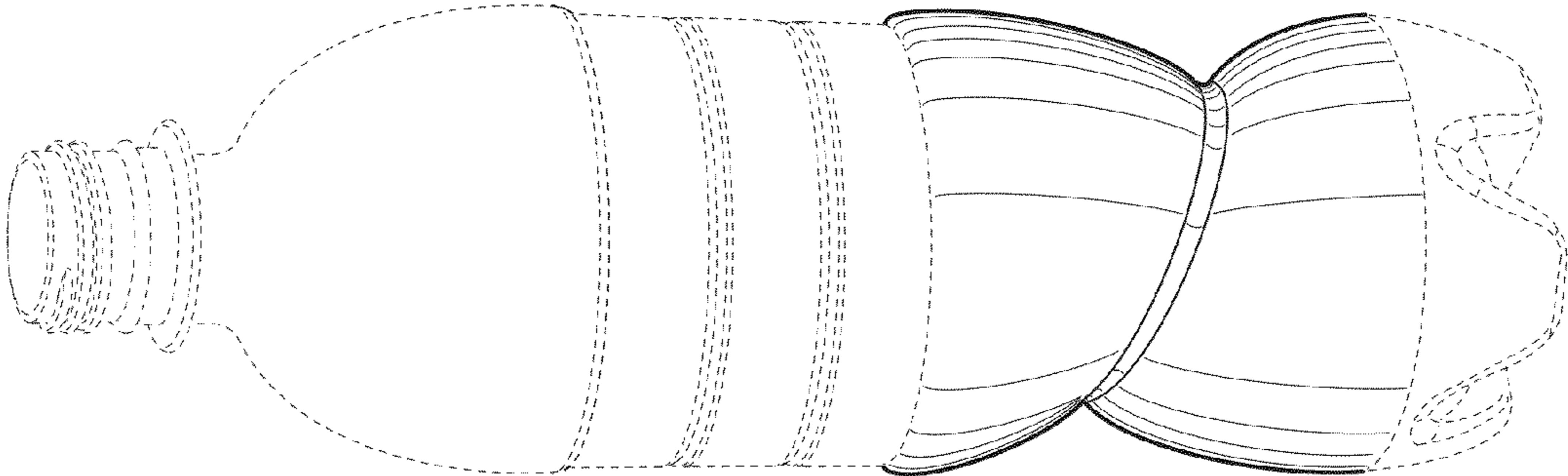


FIG. 1

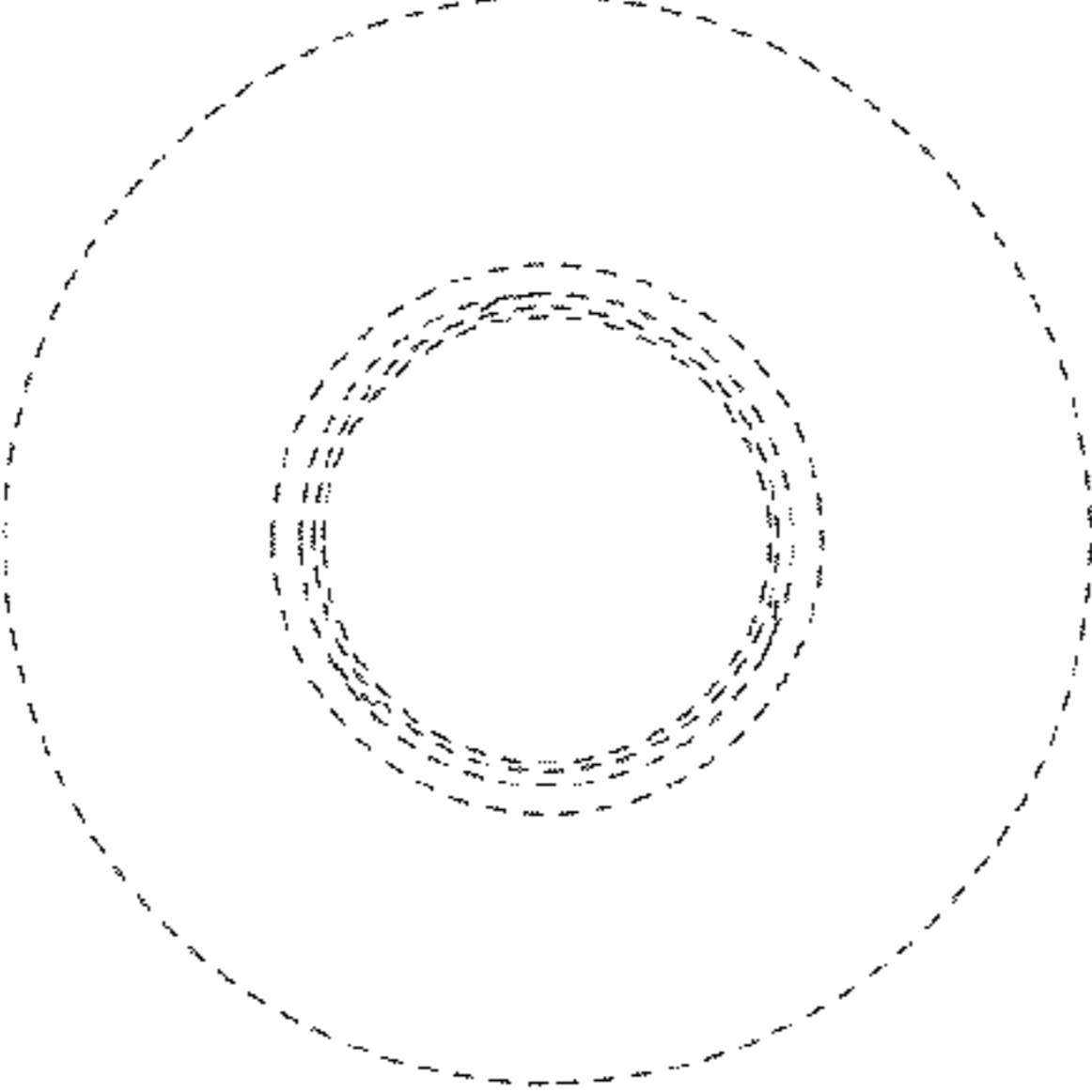


FIG. 2

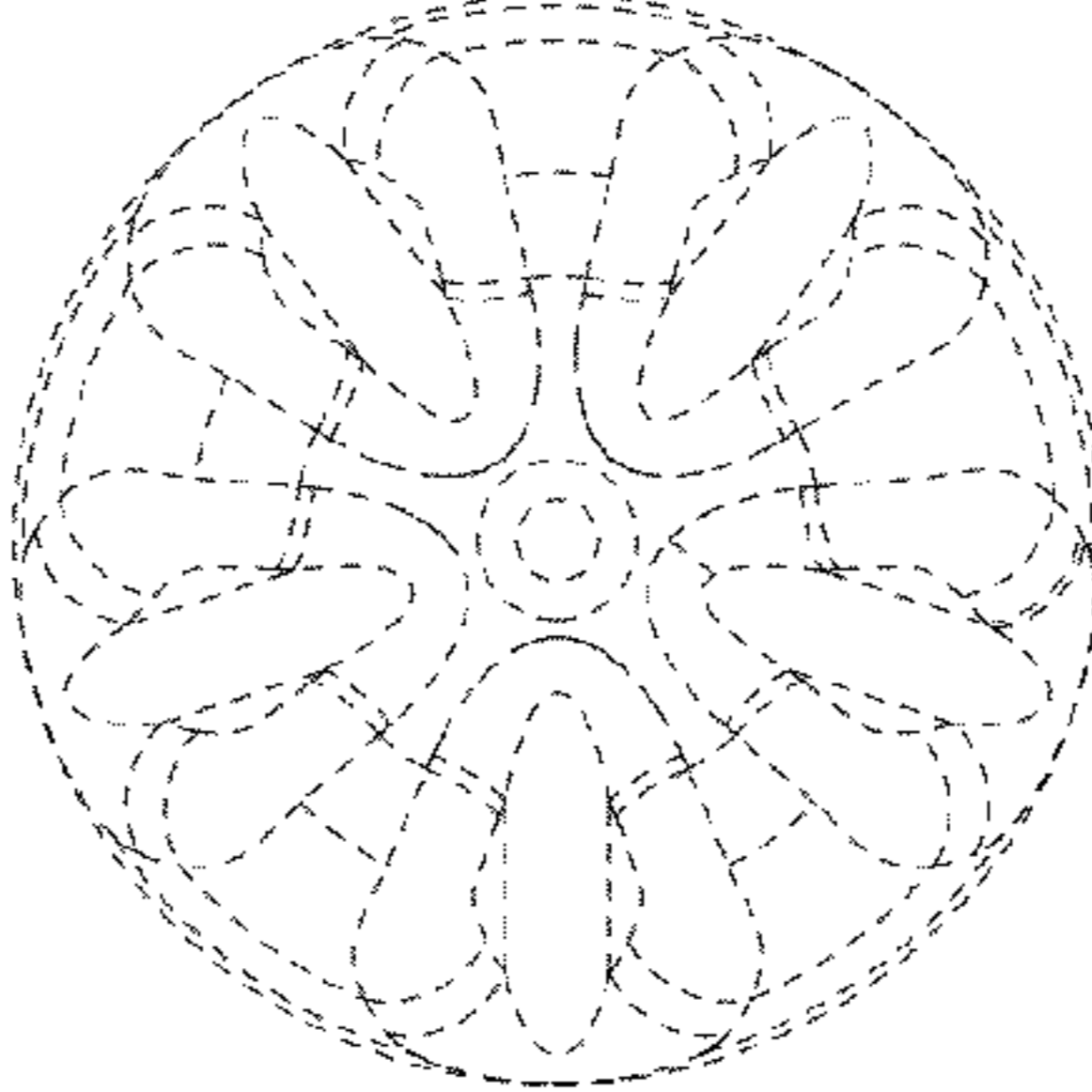


FIG. 3

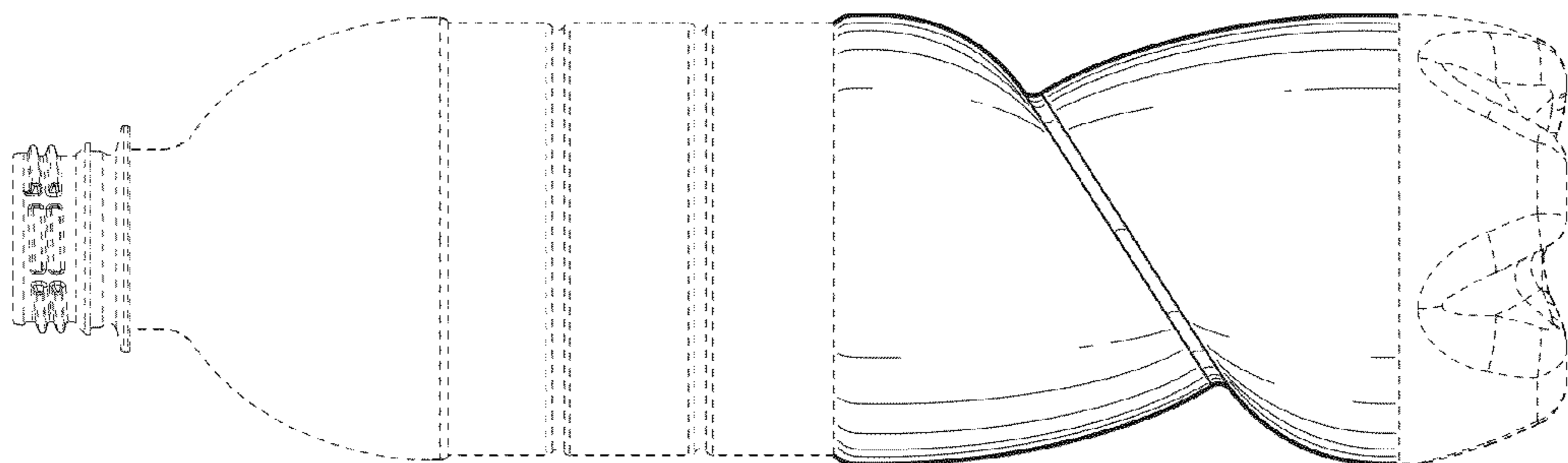


FIG. 4

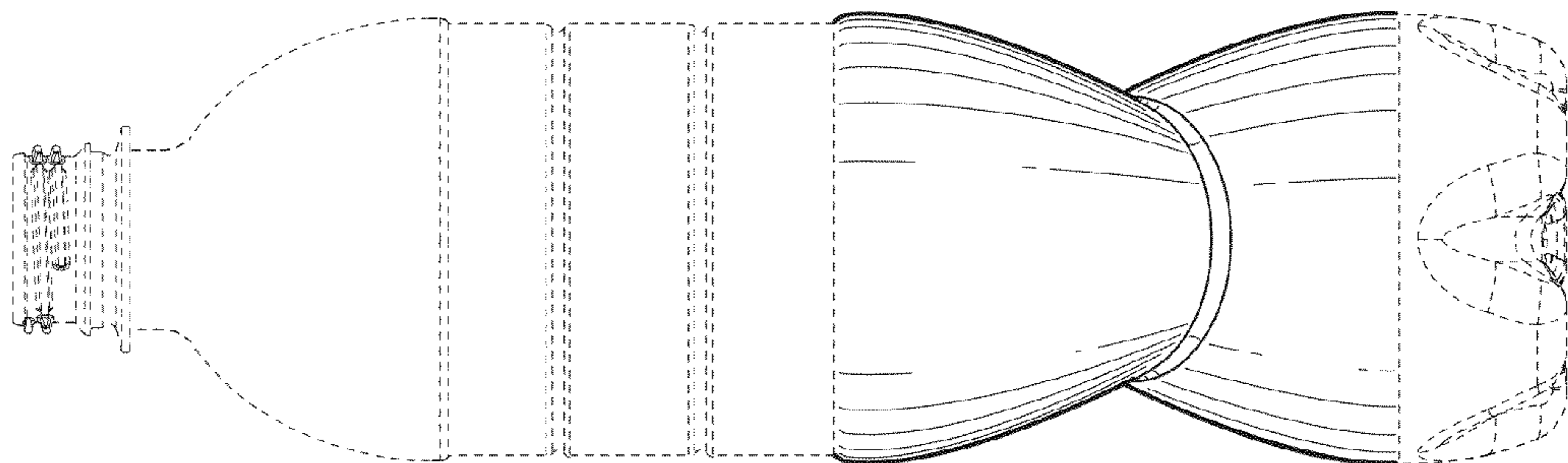


FIG. 5

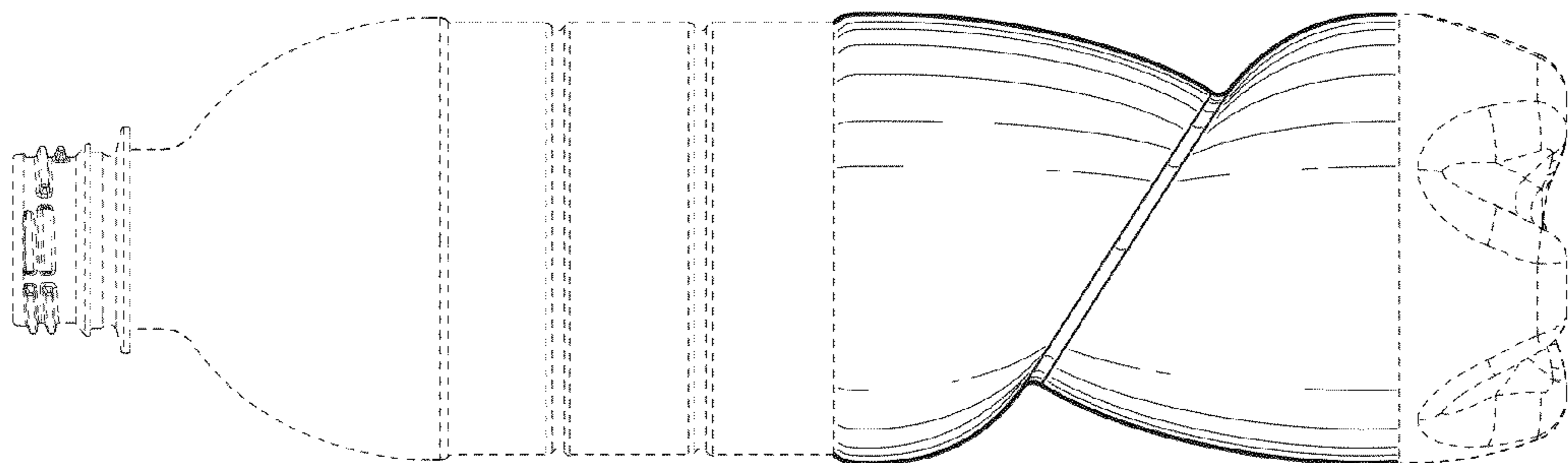


FIG. 6

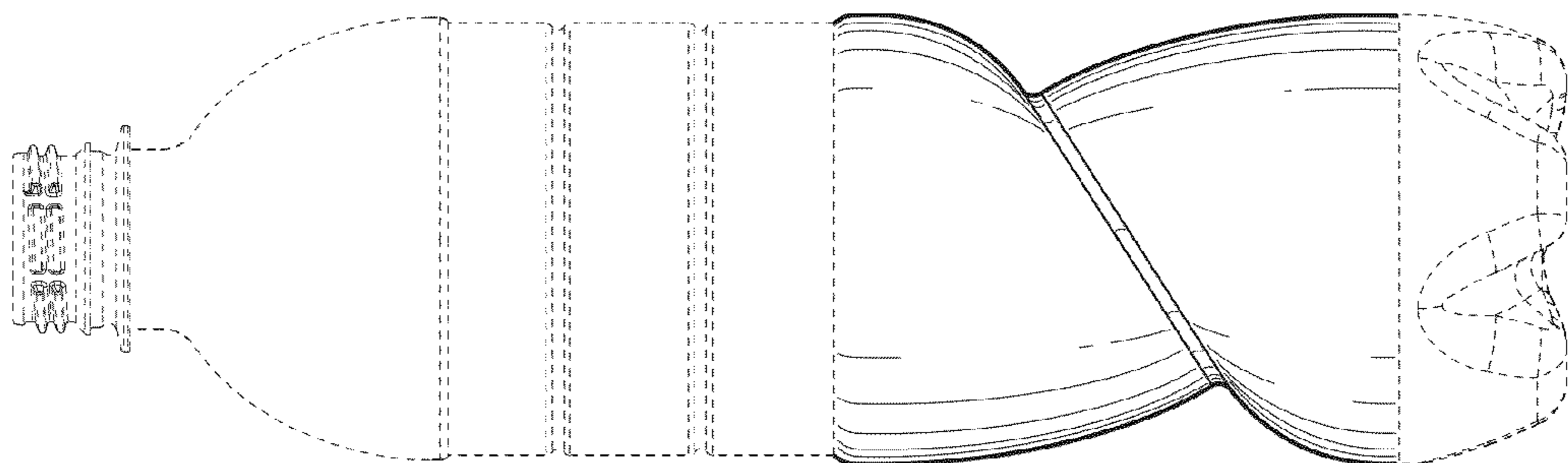


FIG. 7

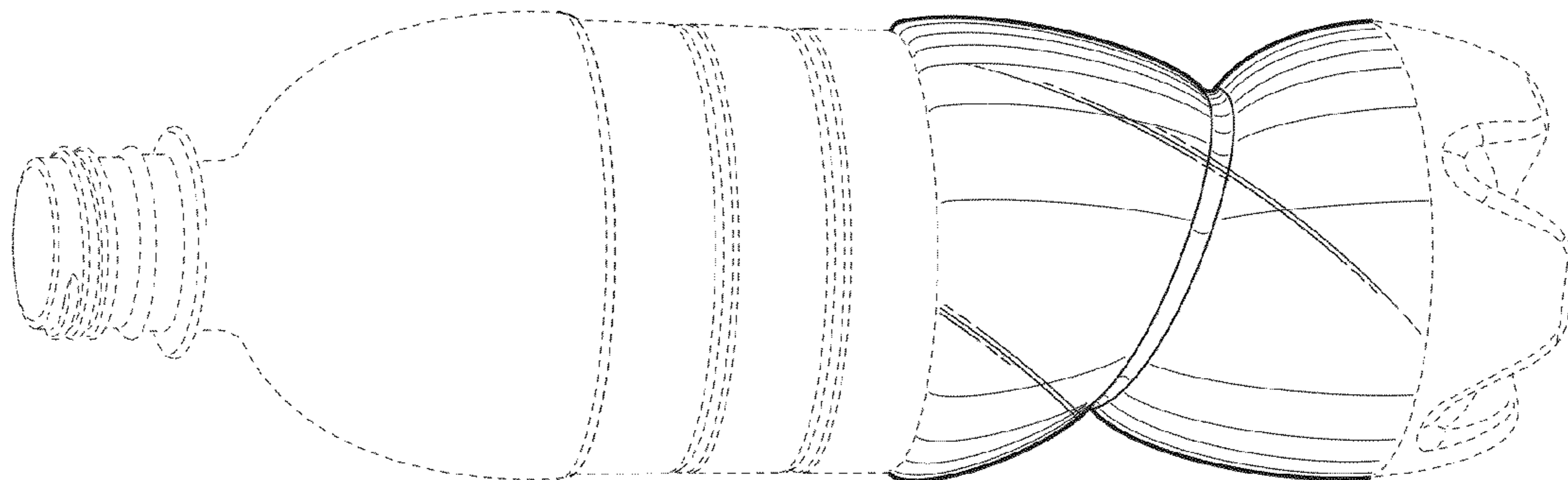


FIG. 8

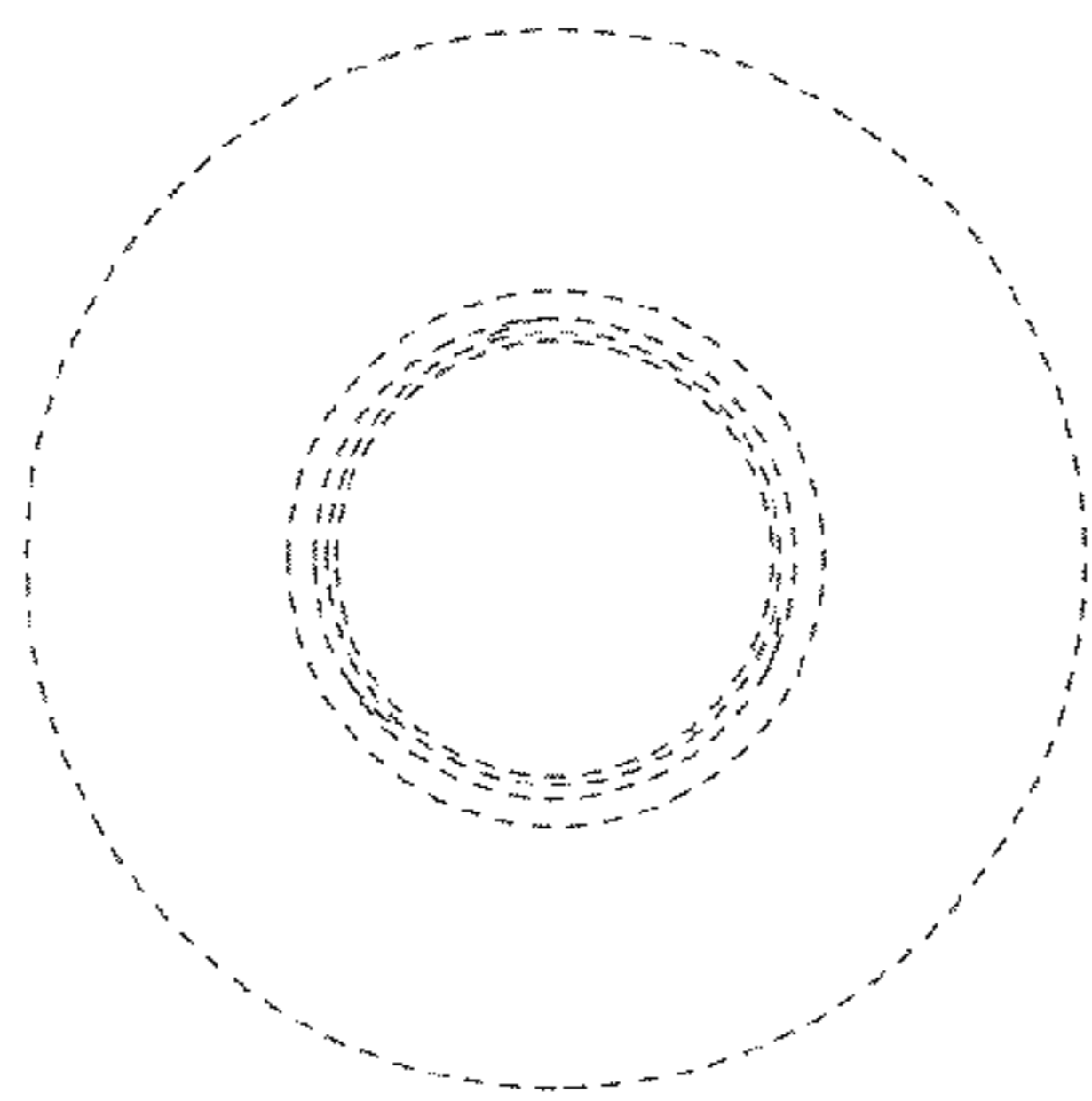


FIG. 9

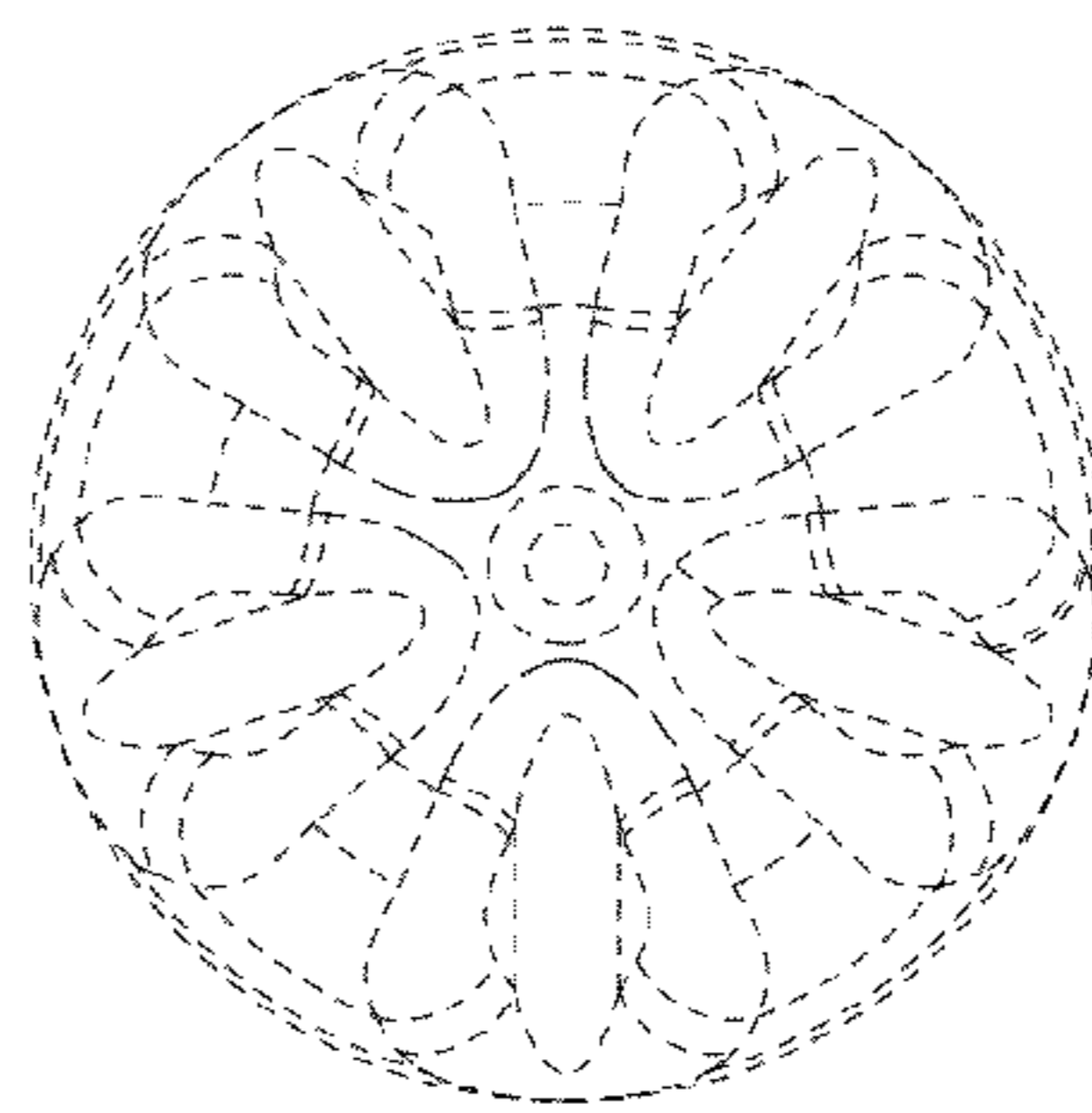


FIG. 10

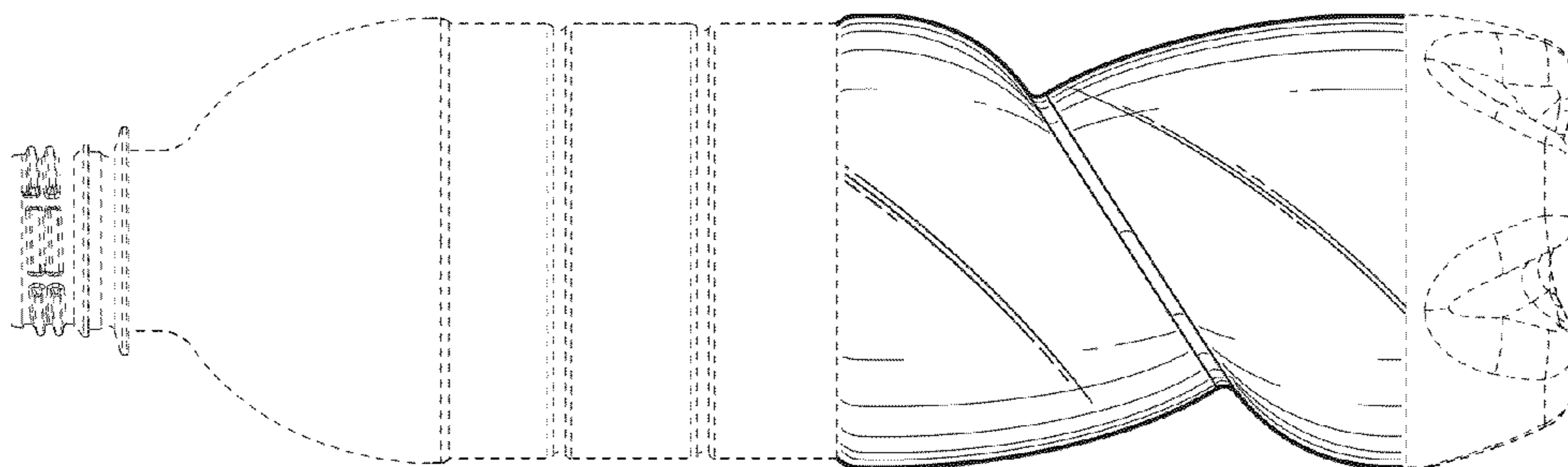


FIG. 11

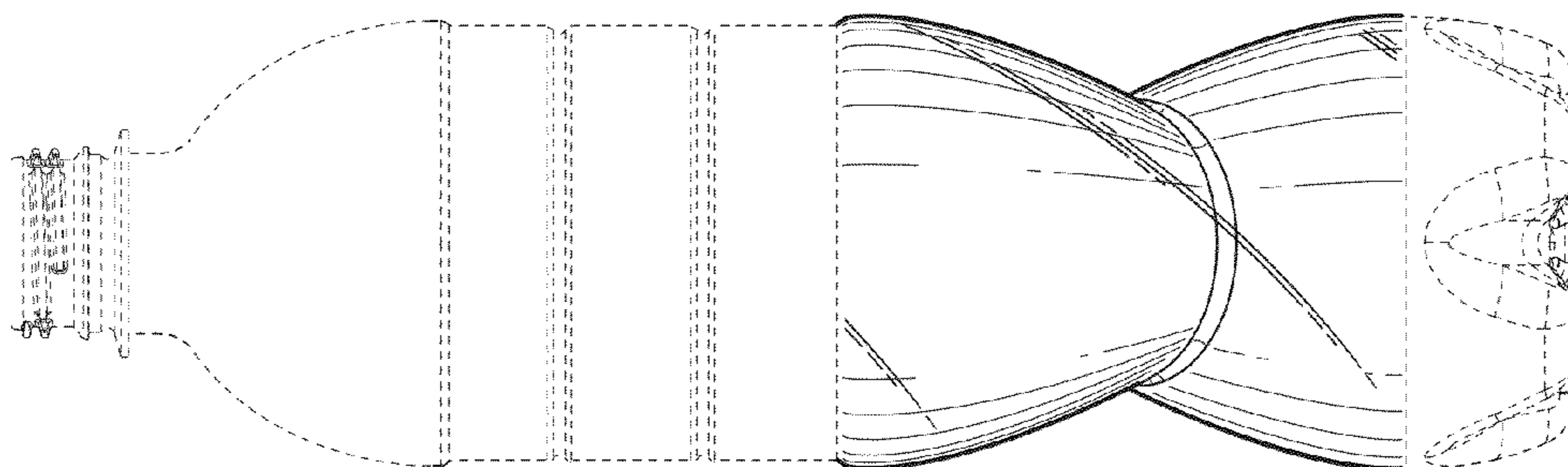


FIG. 12

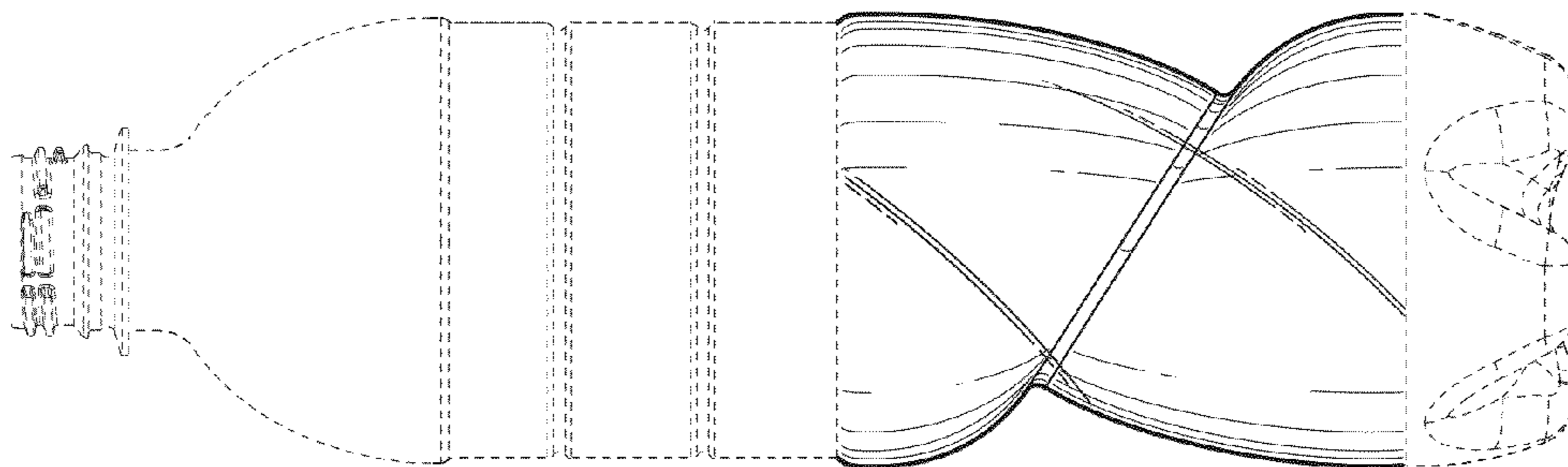


FIG. 13

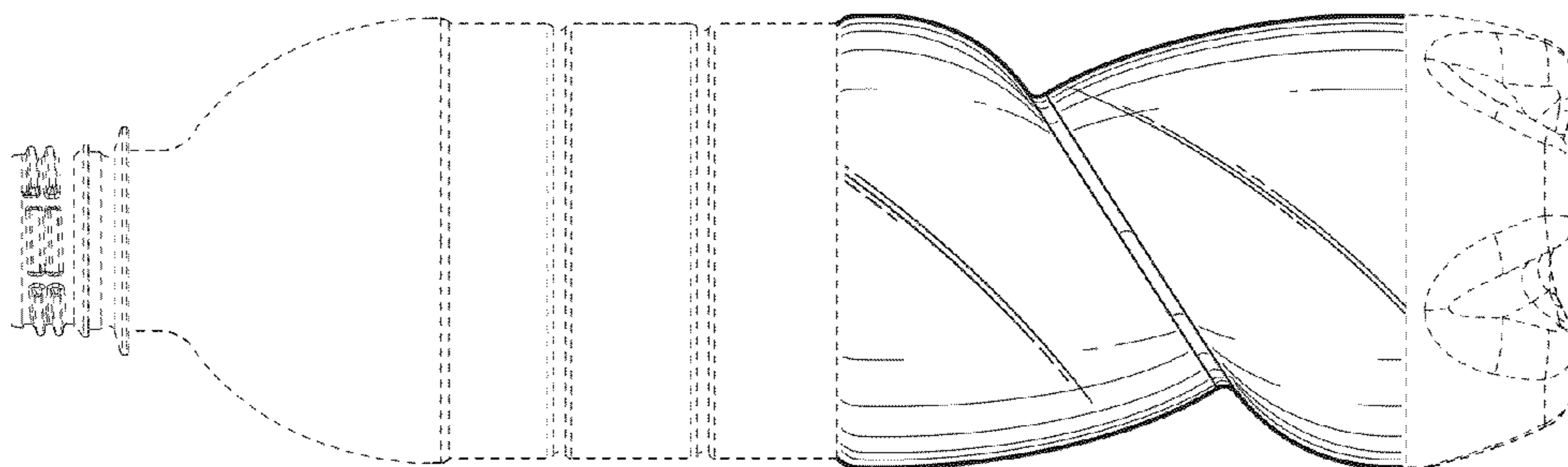


FIG. 14