



US00D756790S

(12) **United States Design Patent**  
**Henriksson**

(10) **Patent No.:** **US D756,790 S**

(45) **Date of Patent:** **\*\* \*May 24, 2016**

(54) **SNUFF CONTAINER**

(56) **References Cited**

(71) Applicant: **SWEDISH MATCH NORTH EUROPE AB**, Stockholm (SE)

U.S. PATENT DOCUMENTS

(72) Inventor: **Nina Henriksson**, Stockholm (SE)

D213,178	S	*	1/1969	Nearing	.....	D9/456
D297,297	S	*	8/1988	Lacey	.....	D7/354
D303,584	S	*	9/1989	Bakic	.....	D28/91
D334,710	S	*	4/1993	Picozza	.....	D9/454
6,009,885	A	*	1/2000	Nam	.....	132/293
D424,749	S	*	5/2000	Zalzal	.....	D28/76
D424,750	S	*	5/2000	Zalzal	.....	D28/76
D476,572	S	*	7/2003	Merritt	.....	D9/504
D515,928	S	*	2/2006	Pace	.....	D9/504
D523,752	S	*	6/2006	Bried et al.	.....	D9/504
D581,809	S	*	12/2008	Wichowski	.....	D9/772
D592,956	S	*	5/2009	Thiellier	.....	D9/504
D599,953	S	*	9/2009	Gibson et al.	.....	D27/190
D617,210	S	*	6/2010	Abolfazlian et al.	.....	D9/772
7,798,319	B1	*	9/2010	Bried et al.	.....	206/242
D625,047	S	*	10/2010	Gibson et al.	.....	D27/183
D640,545	S	*	6/2011	Gibson et al.	.....	D9/428
D640,546	S	*	6/2011	Berggren	.....	D9/428
D650,269	S	*	12/2011	Berggren	.....	D9/428
D651,519	S	*	1/2012	Gibson et al.	.....	D9/529
D651,923	S	*	1/2012	Cronin	.....	D9/772
D653,127	S	*	1/2012	Cronin et al.	.....	D9/780
D660,693	S	*	5/2012	Berggren	.....	D9/428
D664,840	S	*	8/2012	Jones et al.	.....	D9/423
D686,513	S	*	7/2013	Henriksson	.....	D9/772
D690,881	S	*	10/2013	Lai	.....	D28/82
D703,537	S	*	4/2014	Vogel et al.	.....	D9/500
D711,232	S	*	8/2014	Henriksson	.....	D9/451
D711,233	S	*	8/2014	Henriksson	.....	D9/451
D711,249	S	*	8/2014	Henriksson	.....	D9/669
D711,250	S	*	8/2014	Henriksson	.....	D9/669
2006/0278665	A1	*	12/2006	Bennett	.....	222/480
2008/0178903	A1	*	7/2008	Thorpe et al.	.....	132/307
2009/0188518	A1	*	7/2009	Thorpe et al.	.....	132/307

(73) Assignee: **SWEDISH MATCH NORTH EUROPE AB**, Stockholm (SE)

(\*) Notice: This patent is subject to a terminal disclaimer.

(\*\*) Term: **14 Years**

(21) Appl. No.: **29/445,575**

(22) Filed: **Feb. 13, 2013**

(51) **LOC (10) Cl.** ..... **09-01**

(52) **U.S. Cl.**  
USPC ..... **D9/504**

(58) **Field of Classification Search**

USPC ..... D9/414, 416, 424, 428, 434–435, 439, D9/443, 449, 454, 500–505, 516, 530–531, D9/533, 535, 549, 553, 558, 715, 721, 763, D9/772, 778–780; D1/105; D3/203.2, D3/203.36, 203.4; D24/224; D27/102, D27/127, 133, 172, 183, 186, 189–190; D28/82, 91; 215/258, 363, 379, 381; 220/660, 675, 796, 801, 805; 206/236, 206/242, 265–266, 270; 229/87.14

CPC ..... B65D 1/00; B65D 1/10; B65D 1/12; B65D 1/14; B65D 1/16; B65D 1/165; B65D 23/00; B65D 25/00; B65D 39/00; B65D 39/0052; B65D 39/0076; B65D 39/02; B65D 39/025; B65D 41/00; B65D 41/16; B65D 41/18; B65D 41/28; B65D 43/00; B65D 43/02; B65D 43/0202; B65D 43/0204

See application file for complete search history.

\* cited by examiner

*Primary Examiner* — Dana L Meyrow

(74) *Attorney, Agent, or Firm* — Knobbe, Martens, Olson & Bear, LLP

(57) **CLAIM**

The ornamental design for a snuff container, as shown and described.

**DESCRIPTION**

FIG. 1 is a top, front, left side perspective view of a first embodiment of my new design for a snuff container;

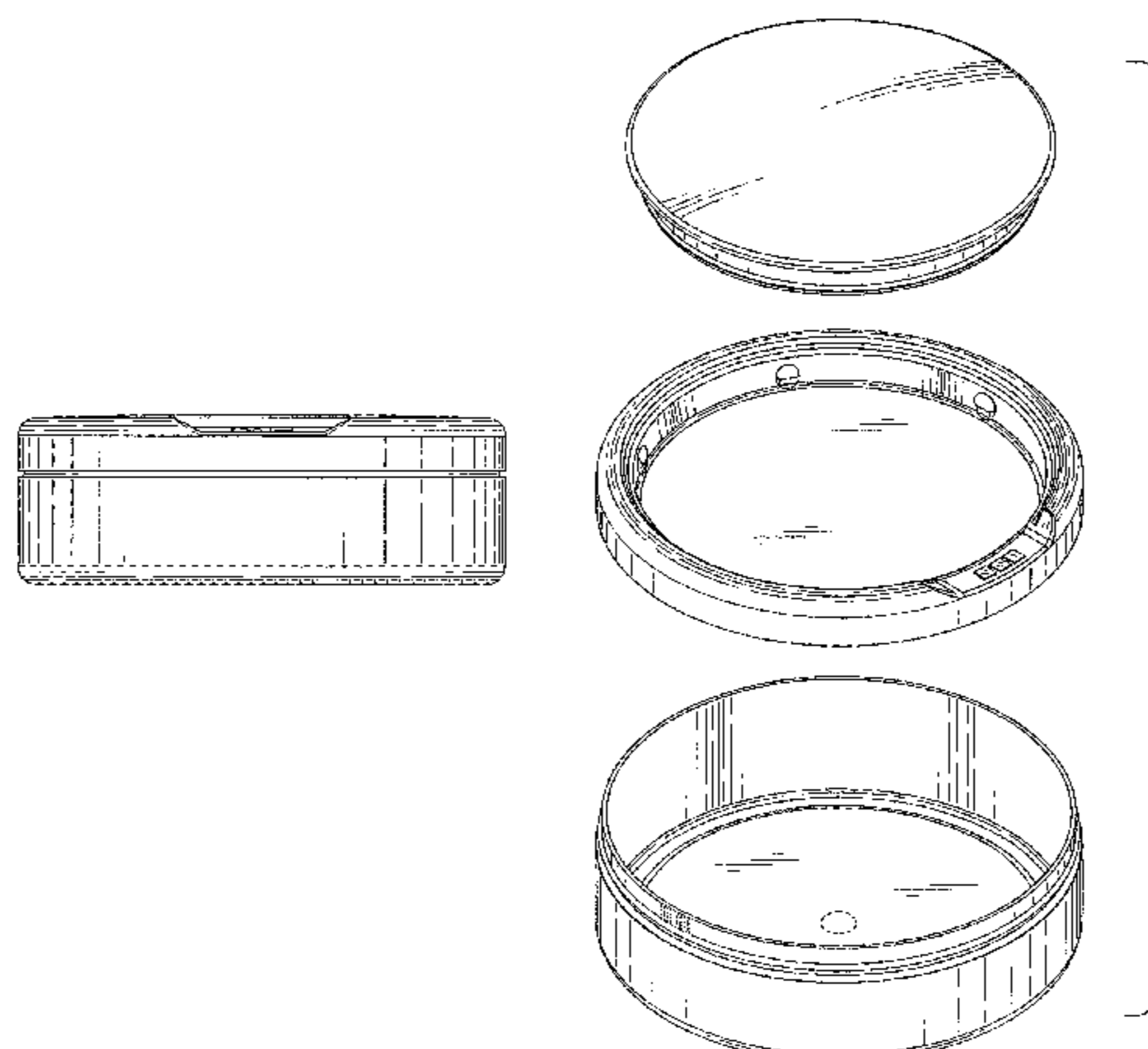


FIG. 2 is a bottom, front, left side perspective view thereof;  
FIG. 3 is a top plan view thereof;  
FIG. 4 is a front elevation view thereof;  
FIG. 5 is a left side elevation view thereof;  
FIG. 6 is a rear elevation view thereof;  
FIG. 7 is a bottom plan view thereof;  
FIG. 8 is an exploded top, front, left side view thereof;  
FIG. 9 is an exploded bottom, front, right side perspective view thereof;  
FIG. 10 is an exploded front elevation view thereof;  
FIG. 11 is a section view taken along the line 11-11 in FIG. 10;  
FIG. 12 is a section view of a second embodiment of my new design for a snuff container taken along the line 11-11 in FIG. 10, the configuration of the snuff container in FIGS. 1-7 & 10 of the first embodiment being the same;  
FIG. 13 is an exploded top, front, left side perspective view thereof;  
FIG. 14 is an exploded bottom, front, right side perspective view thereof;  
FIG. 15 is a top, front, left side perspective view of a third embodiment of my new design for a snuff container;  
FIG. 16 is a bottom, front, left side perspective view thereof;  
FIG. 17 is a top plan view thereof;  
FIG. 18 is a front elevation view thereof;  
FIG. 19 is a left side elevation view thereof;  
FIG. 20 is a rear elevation view thereof;  
FIG. 21 is a bottom plan view thereof;  
FIG. 22 is an exploded top, front, left side view thereof;  
FIG. 23 is an exploded bottom, front, right side perspective view thereof;  
FIG. 24 is an exploded front elevation view thereof;  
FIG. 25 is a section view taken along the line 25-25 in FIG. 24;

FIG. 26 is a section view of a fourth embodiment of my new design for a snuff container taken along the line 25-25 in FIG. 24, the configuration of the snuff container in FIGS. 15-21 & 24 of the third embodiment being the same;  
FIG. 27 is an exploded top, front, left side perspective view thereof;  
FIG. 28 is an exploded bottom, front, right side perspective view thereof;  
FIG. 29 is a top, front, left side perspective view of a fifth embodiment of my new design for a snuff container;  
FIG. 30 is a bottom, front, left side perspective view thereof;  
FIG. 31 is a top plan view thereof;  
FIG. 32 is a front elevation view thereof;  
FIG. 33 is a left side elevation view thereof;  
FIG. 34 is a rear elevation view thereof;  
FIG. 35 is a bottom plan view thereof;  
FIG. 36 is an exploded top, front, left side view thereof;  
FIG. 37 is an exploded bottom, front, right side perspective view thereof;  
FIG. 38 is an exploded front elevation view thereof;  
FIG. 39 is a section view taken along the line 39-39 in FIG. 38;  
FIG. 40 is a section view of a sixth embodiment of my new design for a snuff container taken along the line 39-39 in FIG. 38, the configuration of the snuff container in FIGS. 29-35 & 38 of the fifth embodiment being the same;  
FIG. 41 is an exploded top, front, left side perspective view thereof; and,  
FIG. 42 is an exploded bottom, front, right side perspective view thereof.  
The broken lines in the drawings illustrate the portions of the snuff container that form no part of the claim.

**1 Claim, 24 Drawing Sheets**

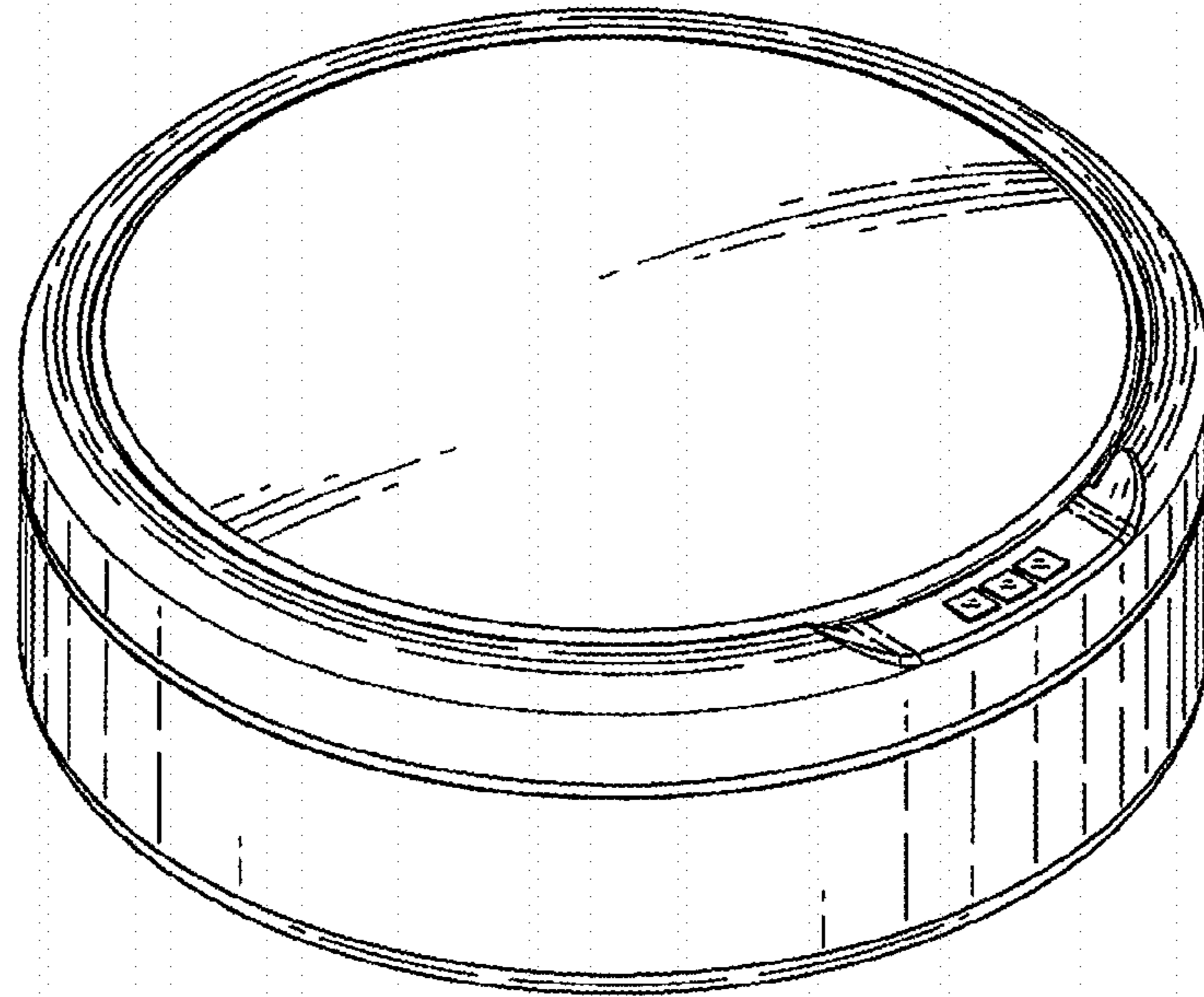


FIG. 1

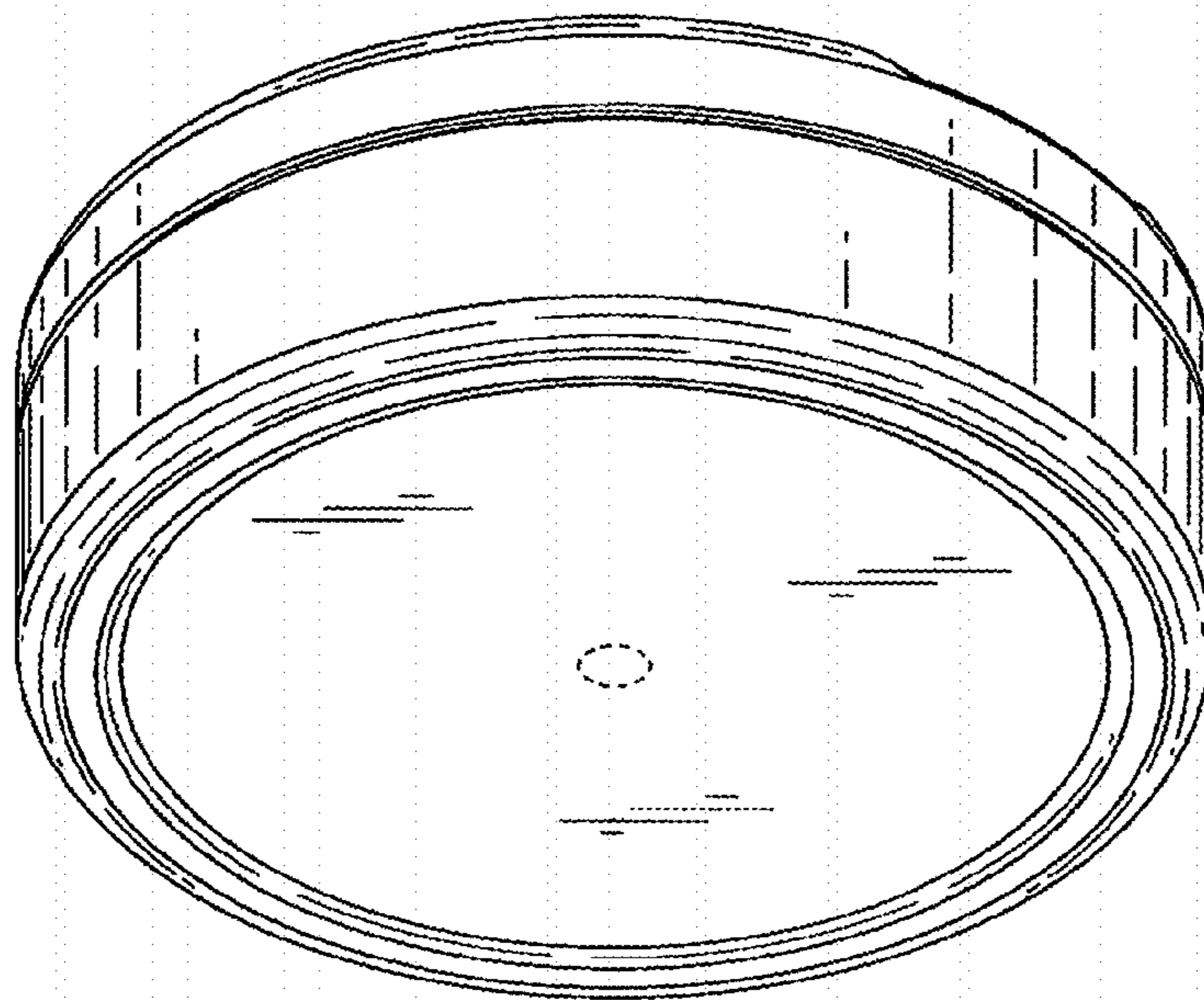


FIG. 2

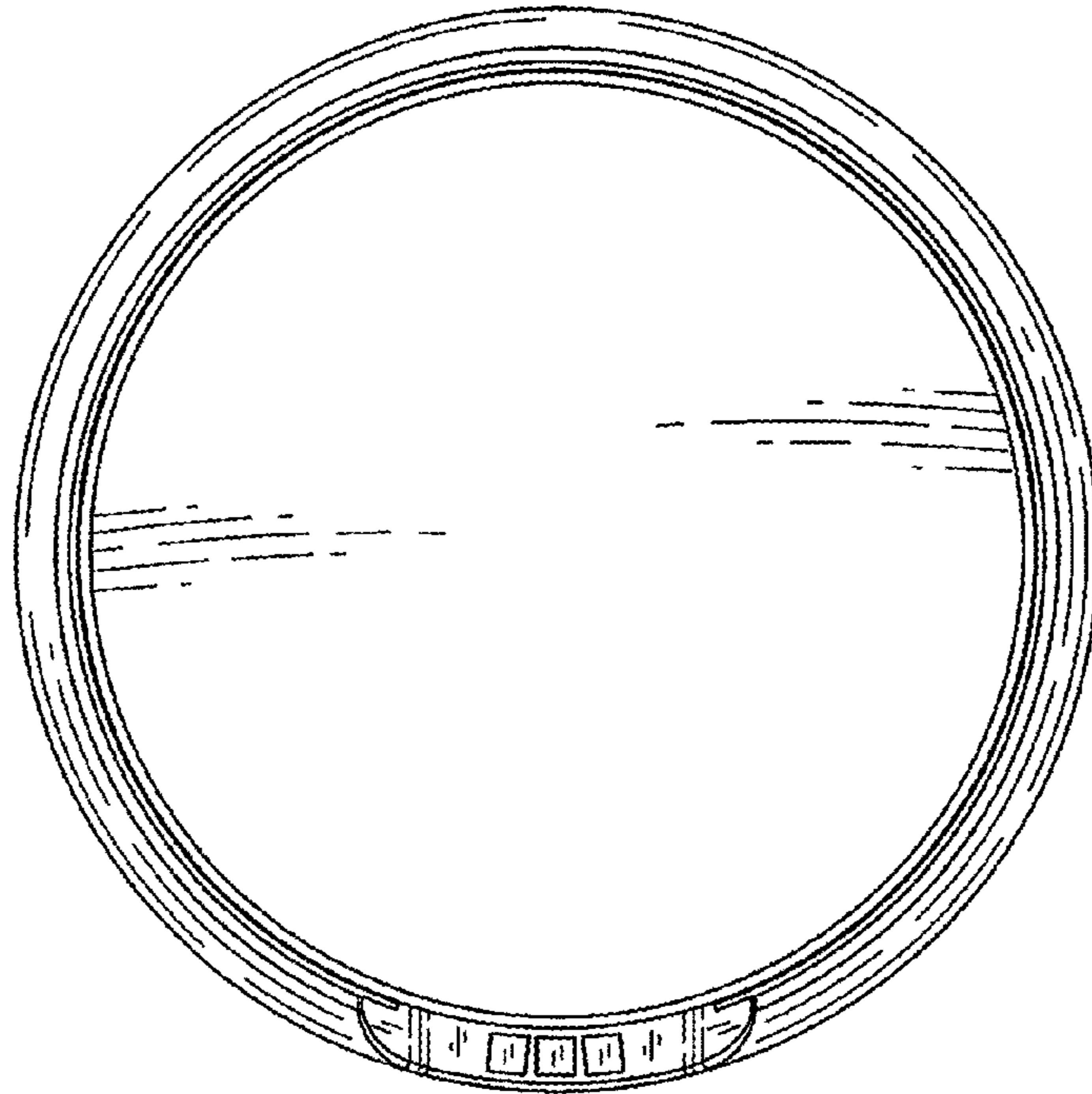


FIG. 3

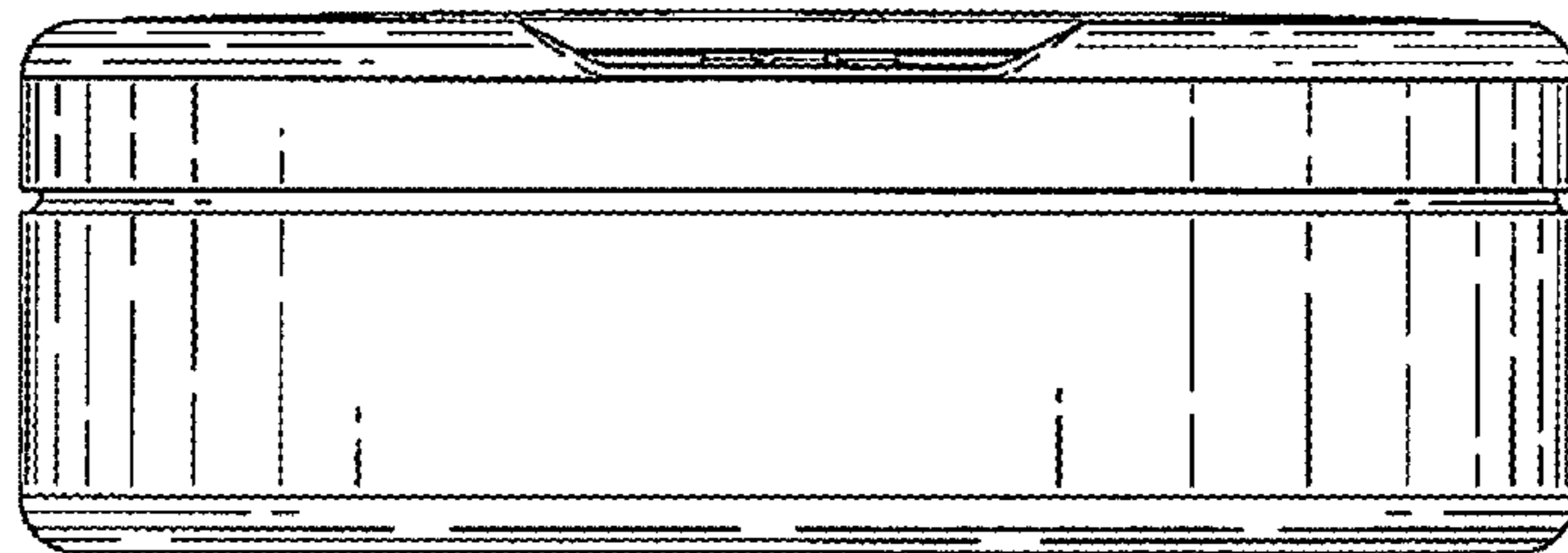


FIG. 4

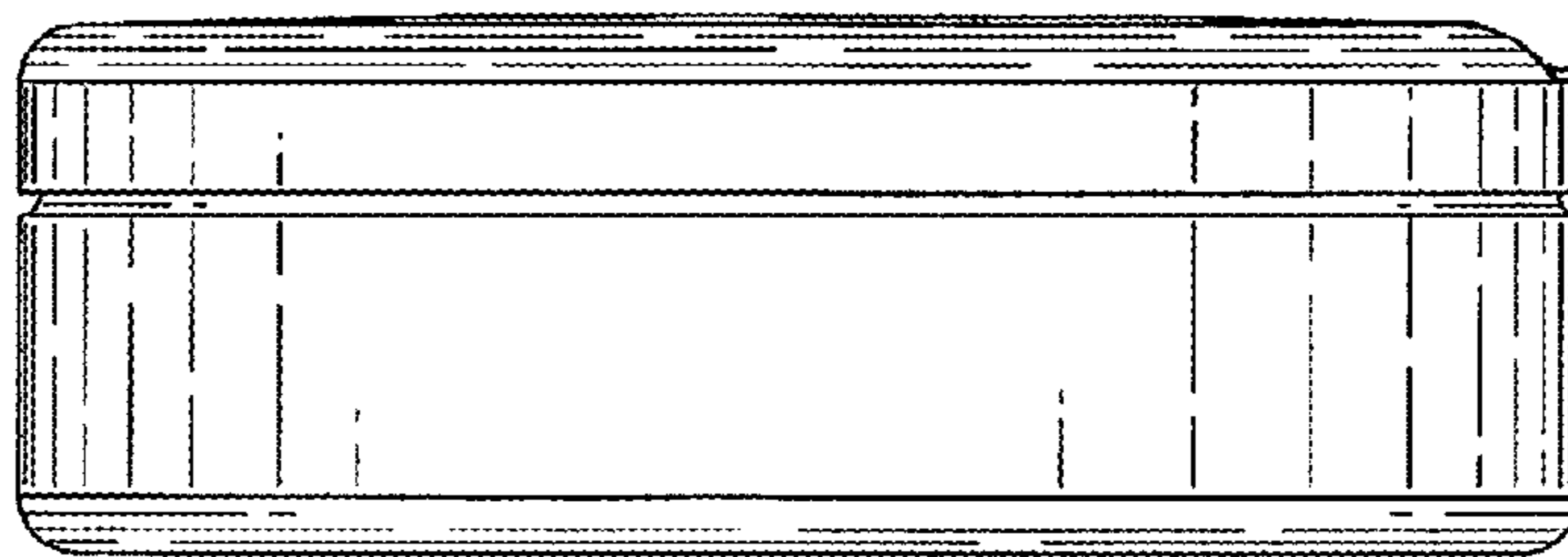


FIG. 5

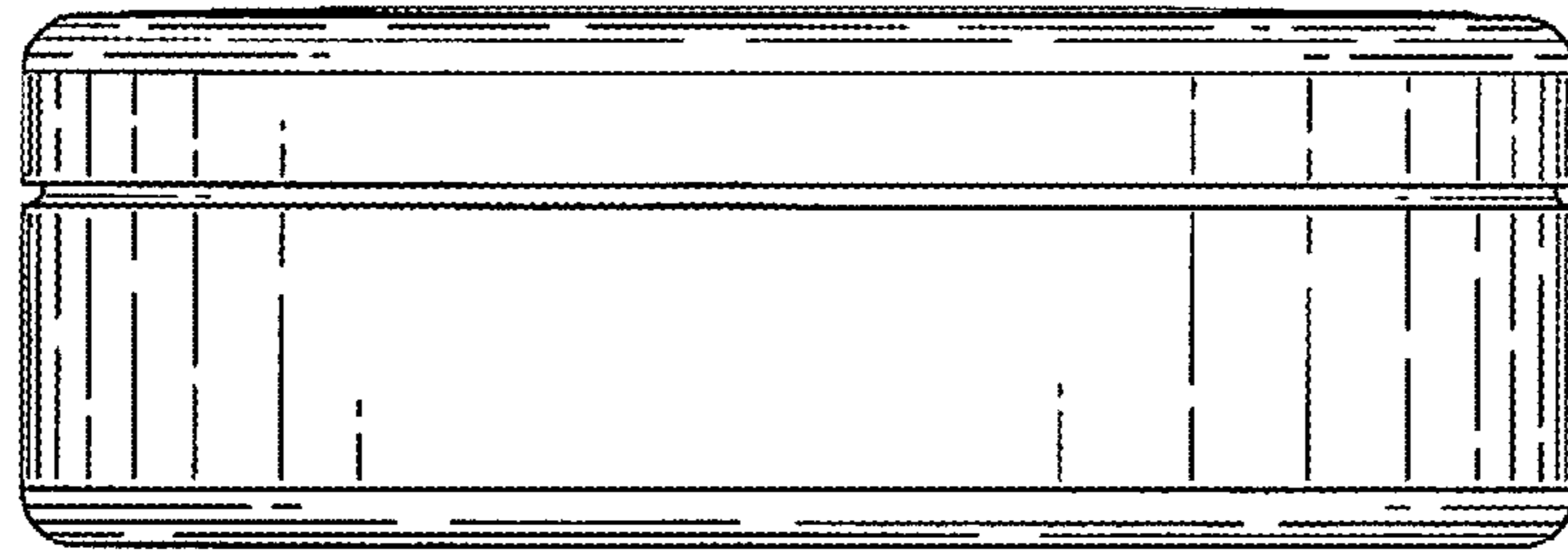


FIG. 6

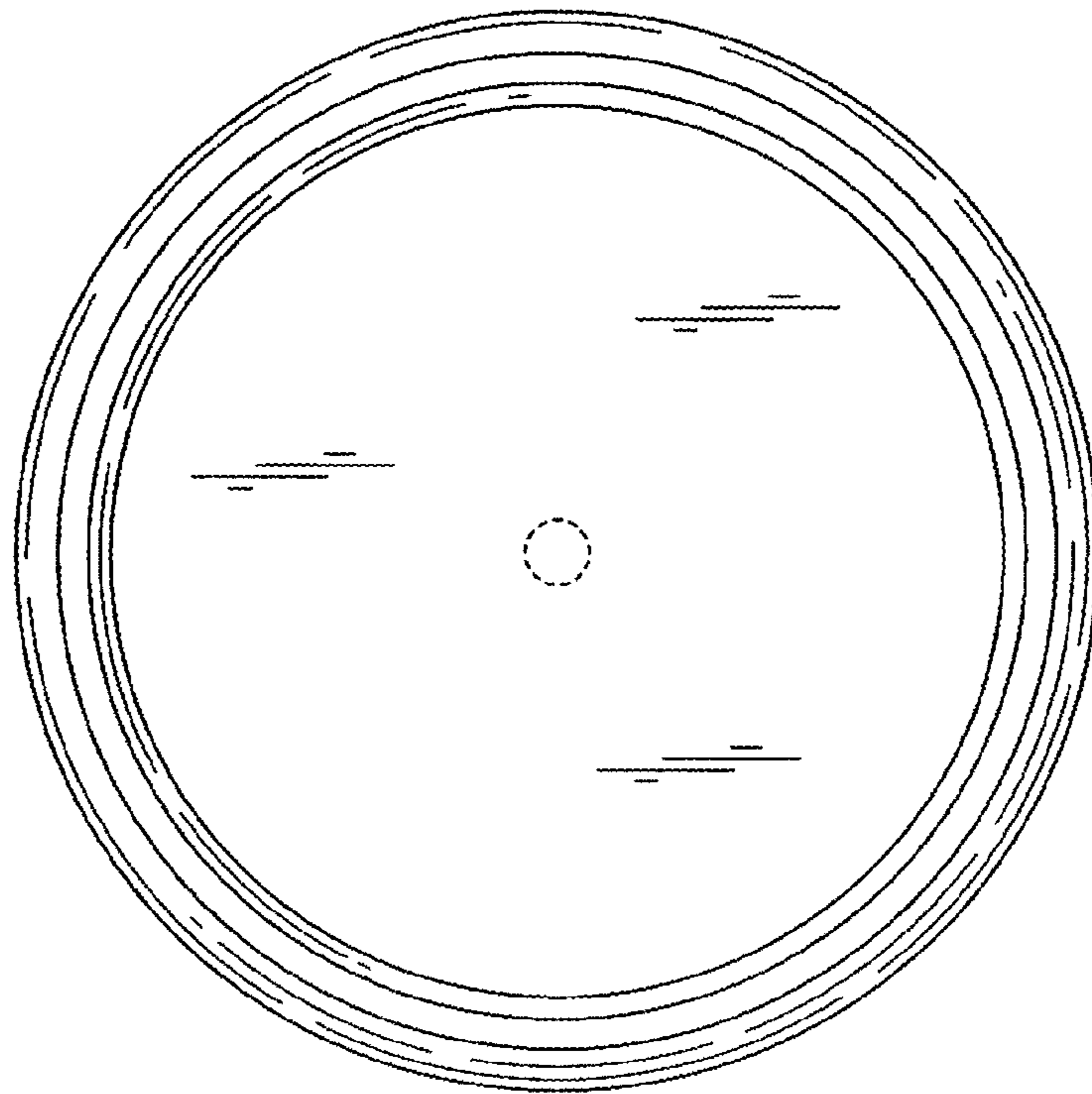


FIG. 7

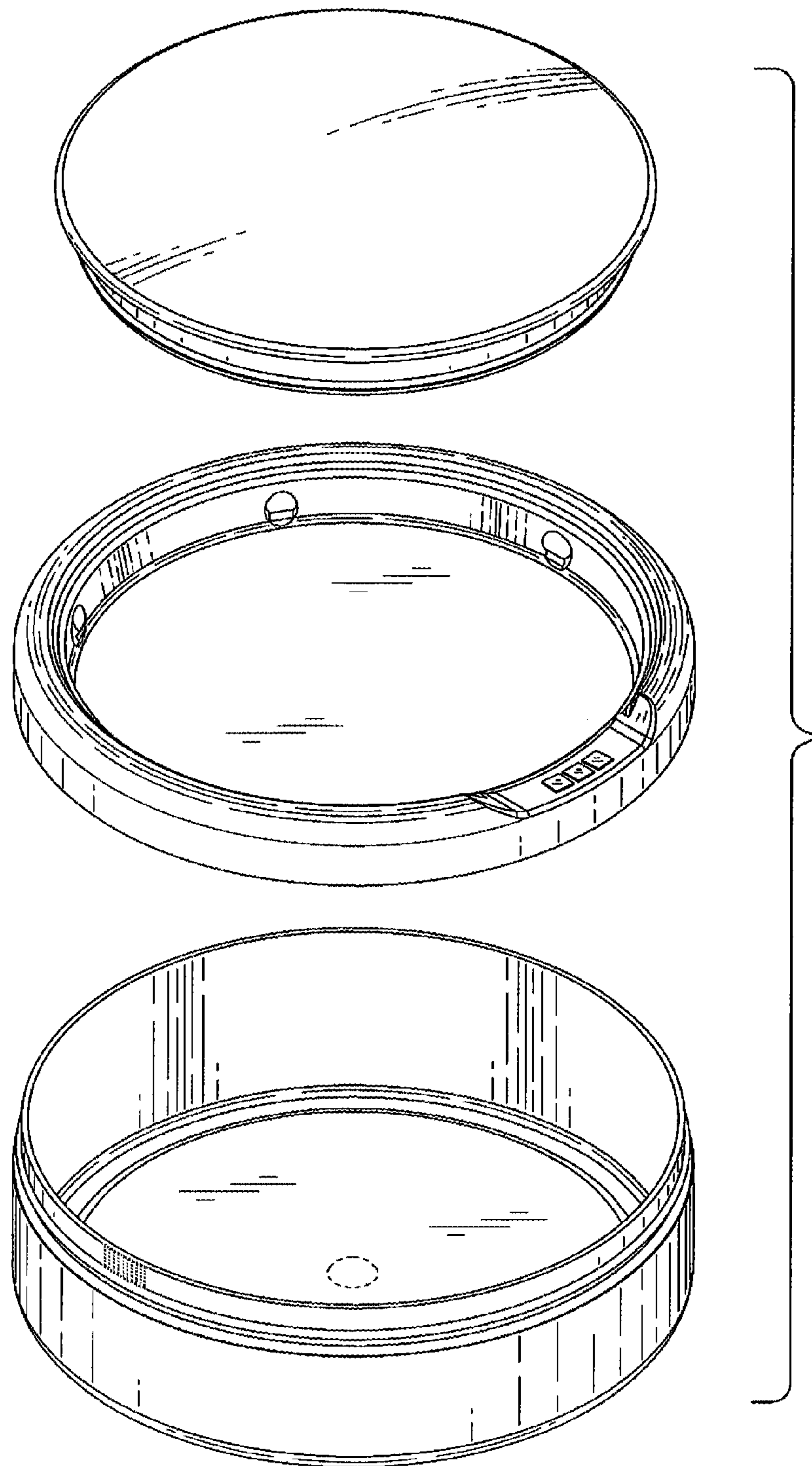


FIG. 8

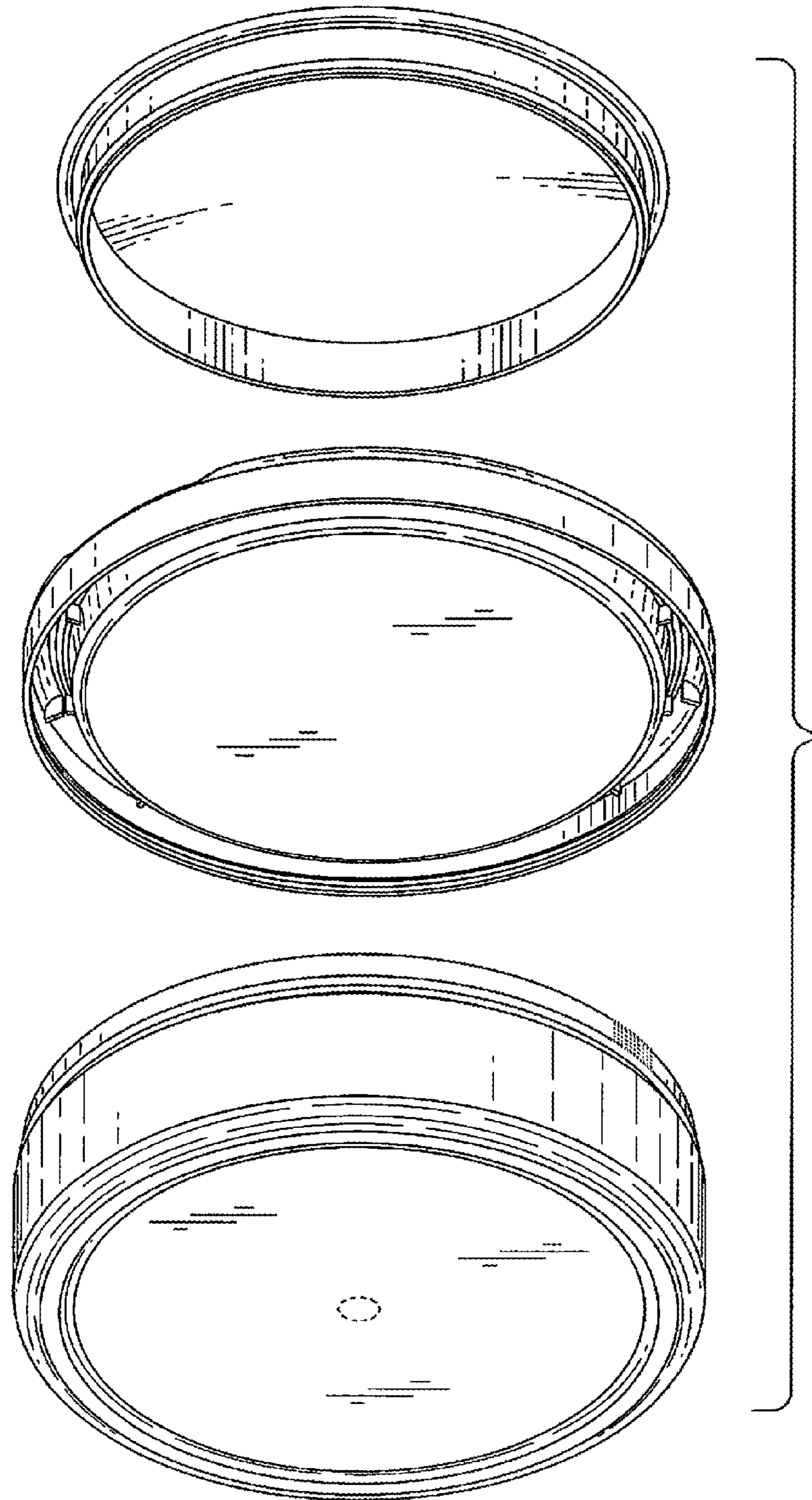


FIG. 9

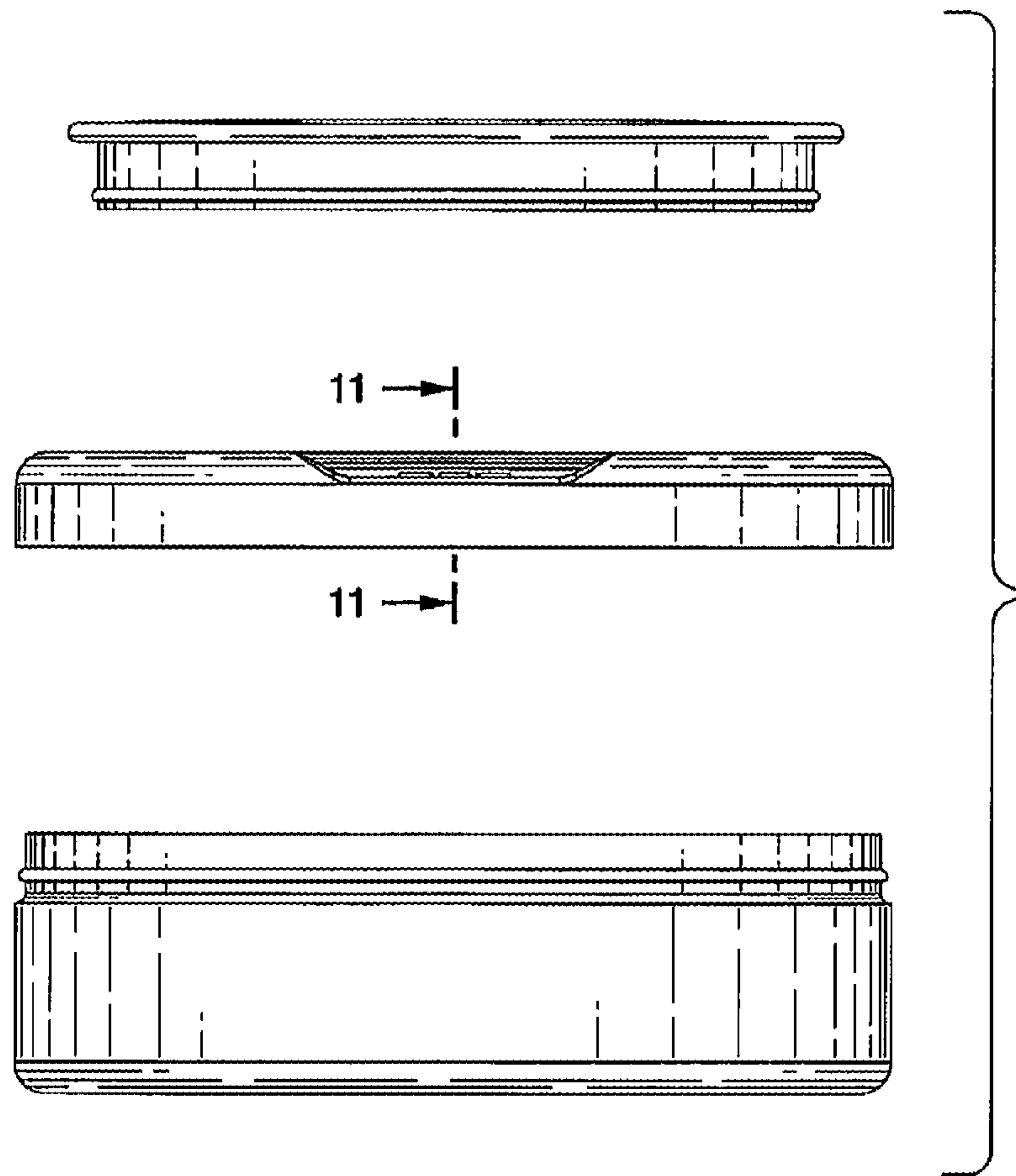


FIG. 10

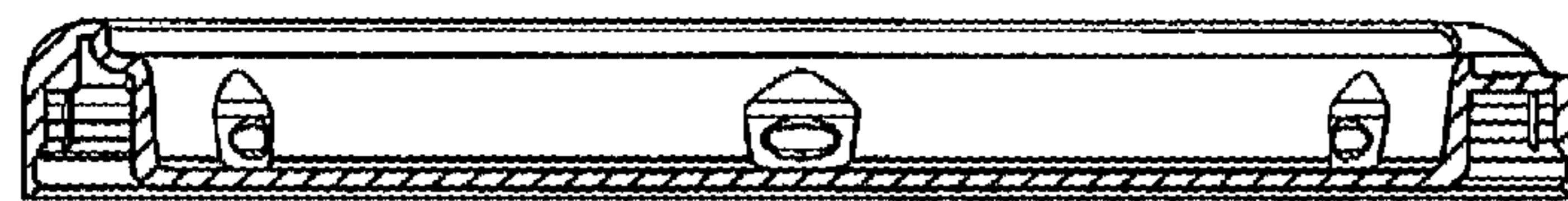


FIG. 11

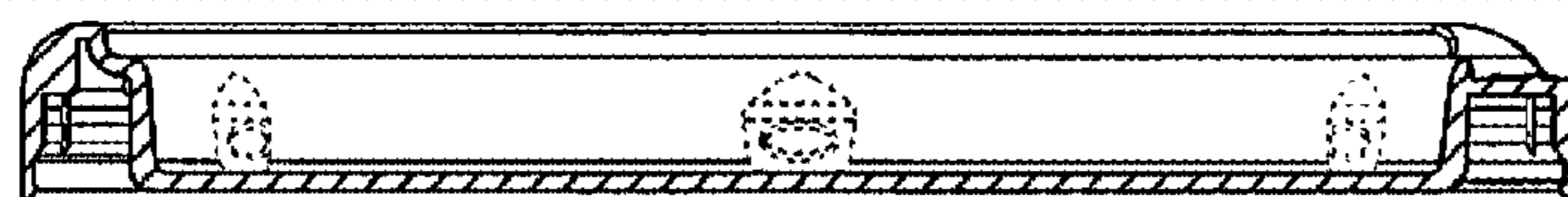


FIG. 12



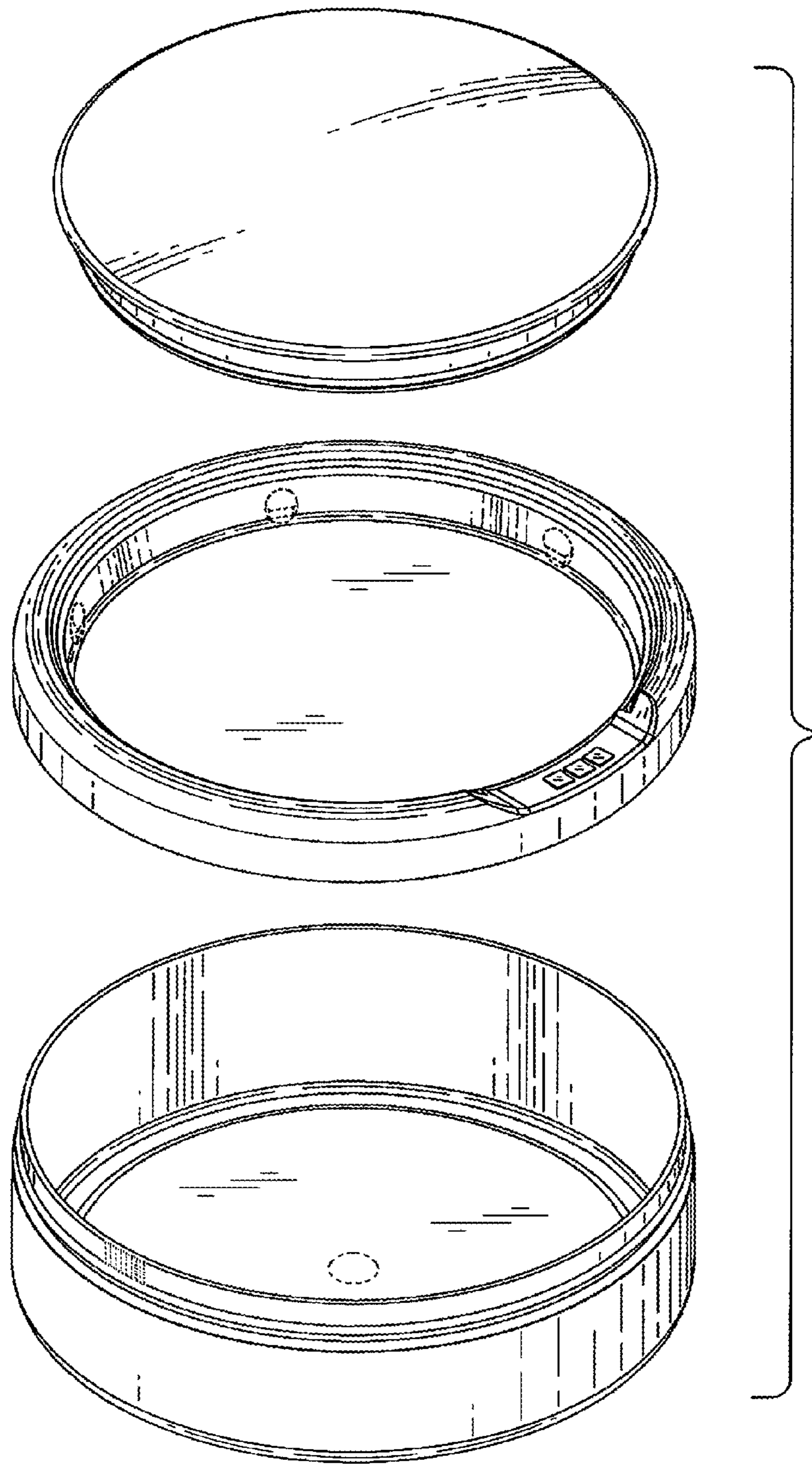


FIG. 13

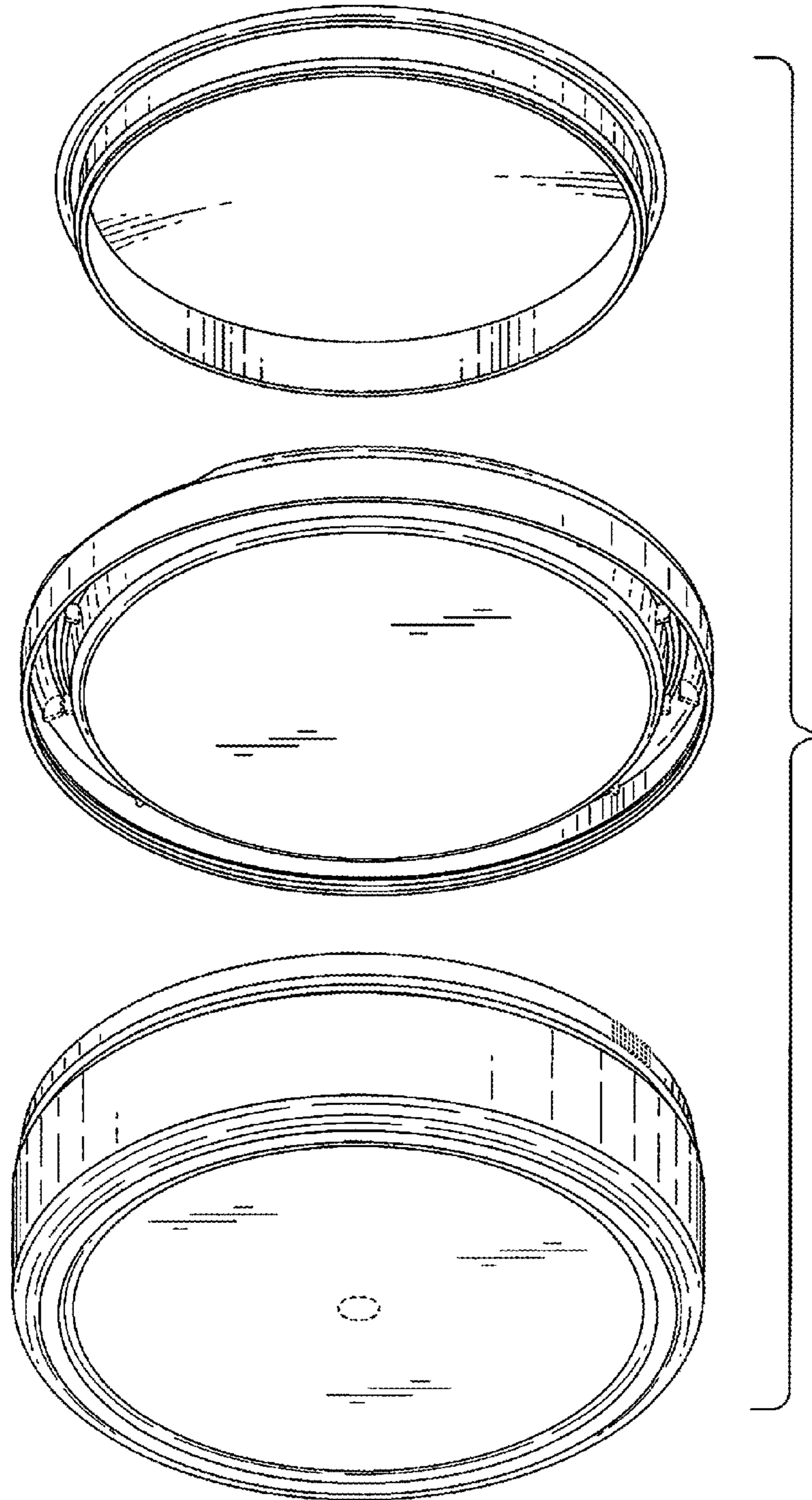


FIG. 14

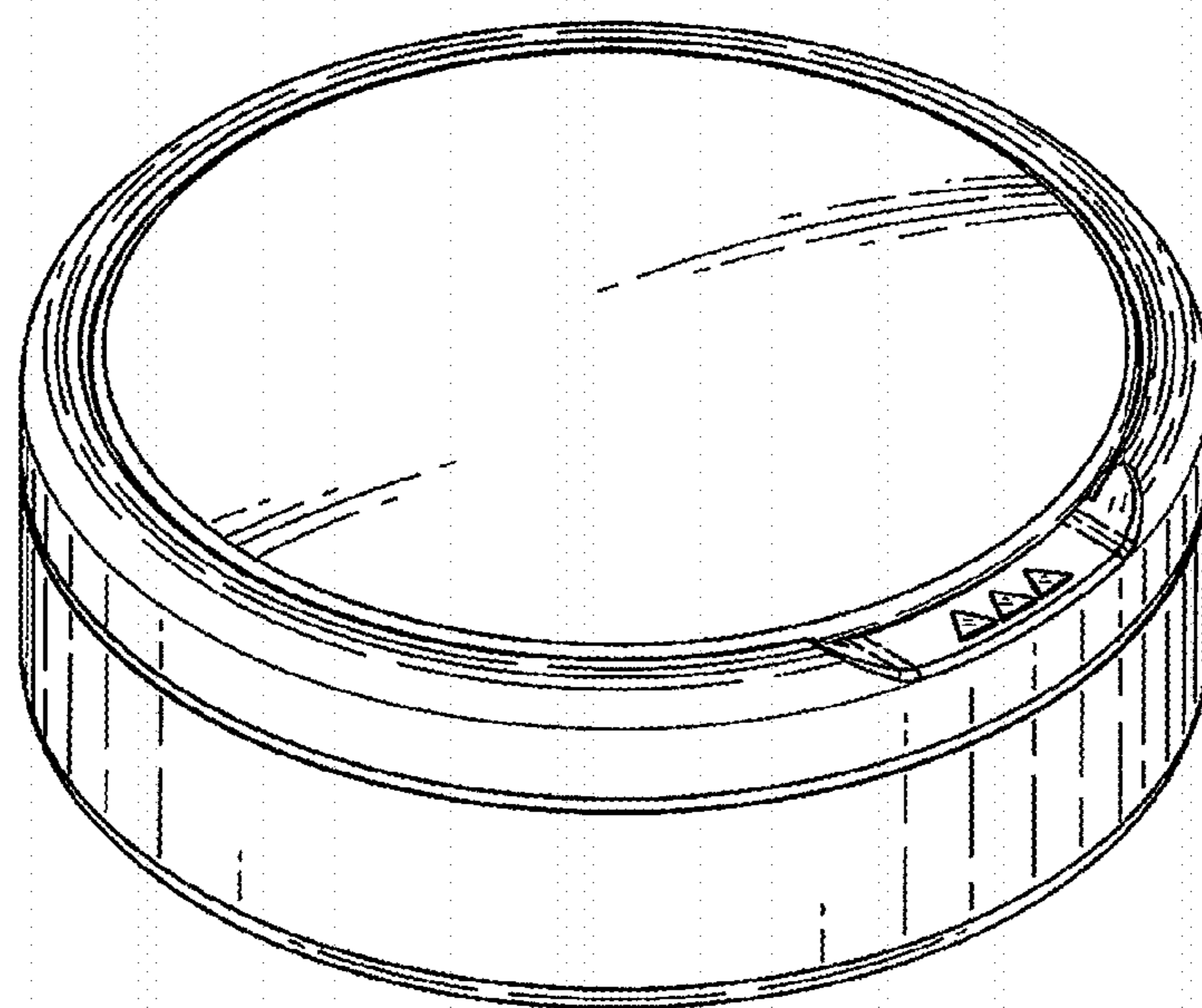


FIG. 15

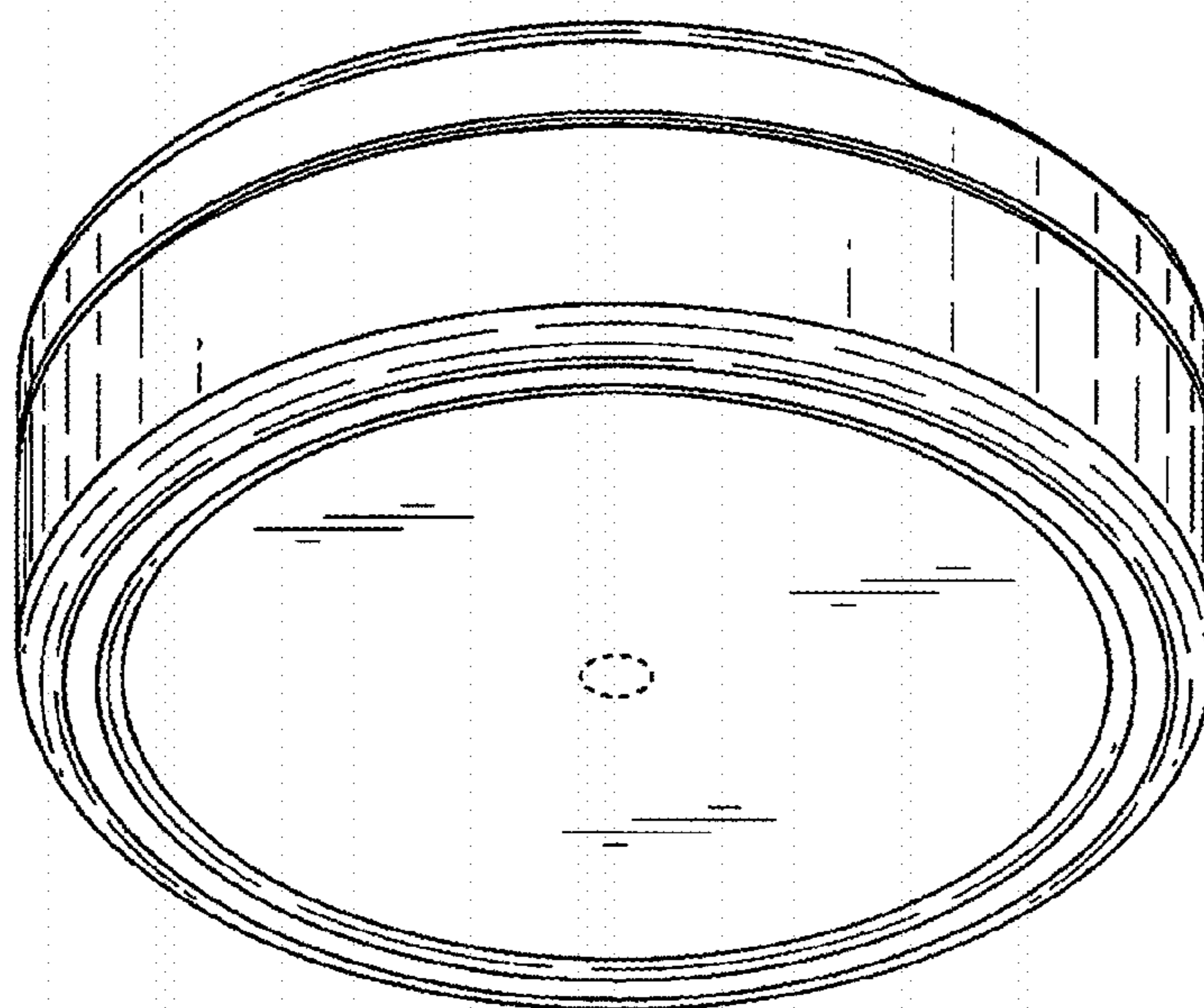


FIG. 16

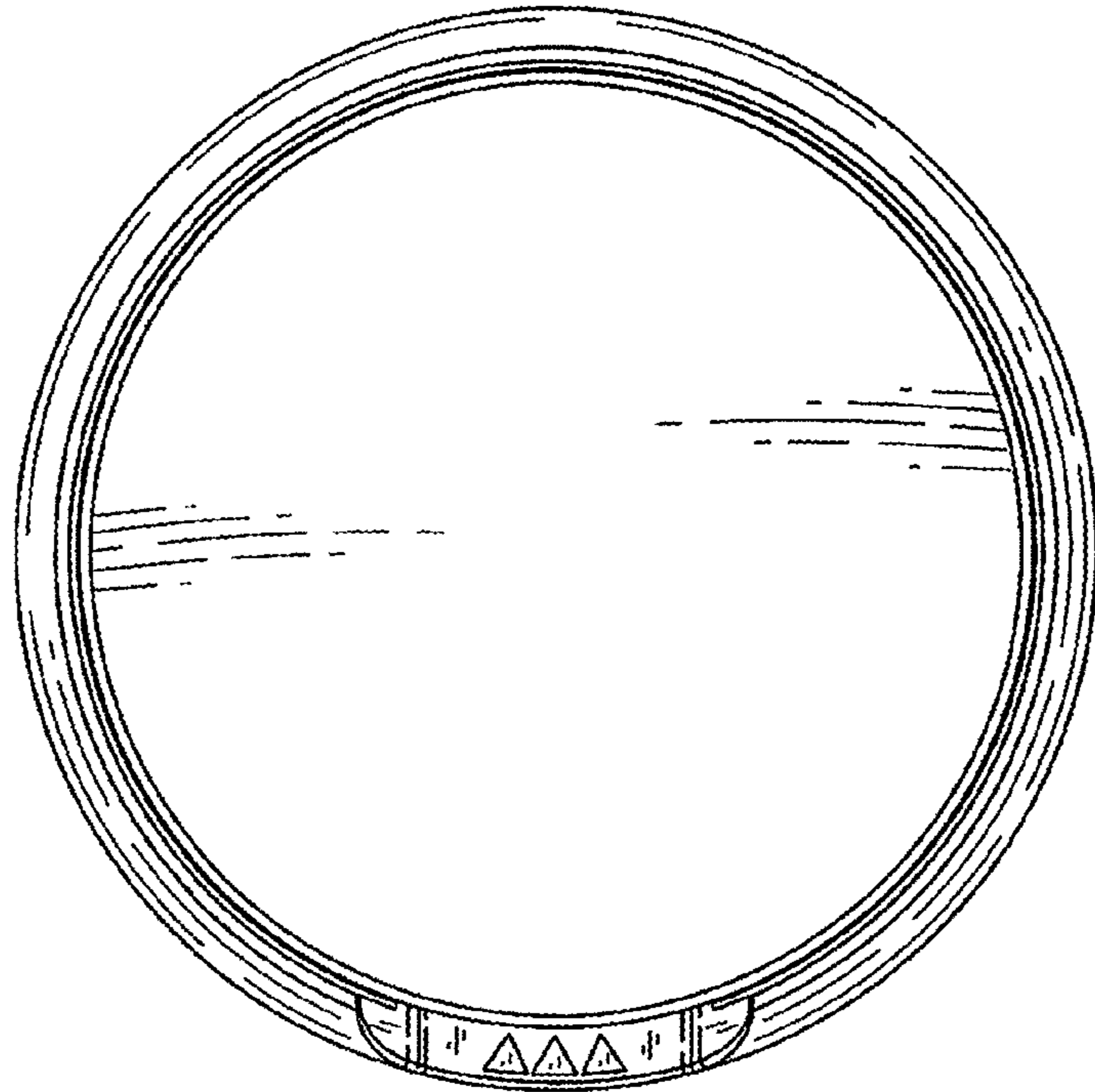


FIG. 17

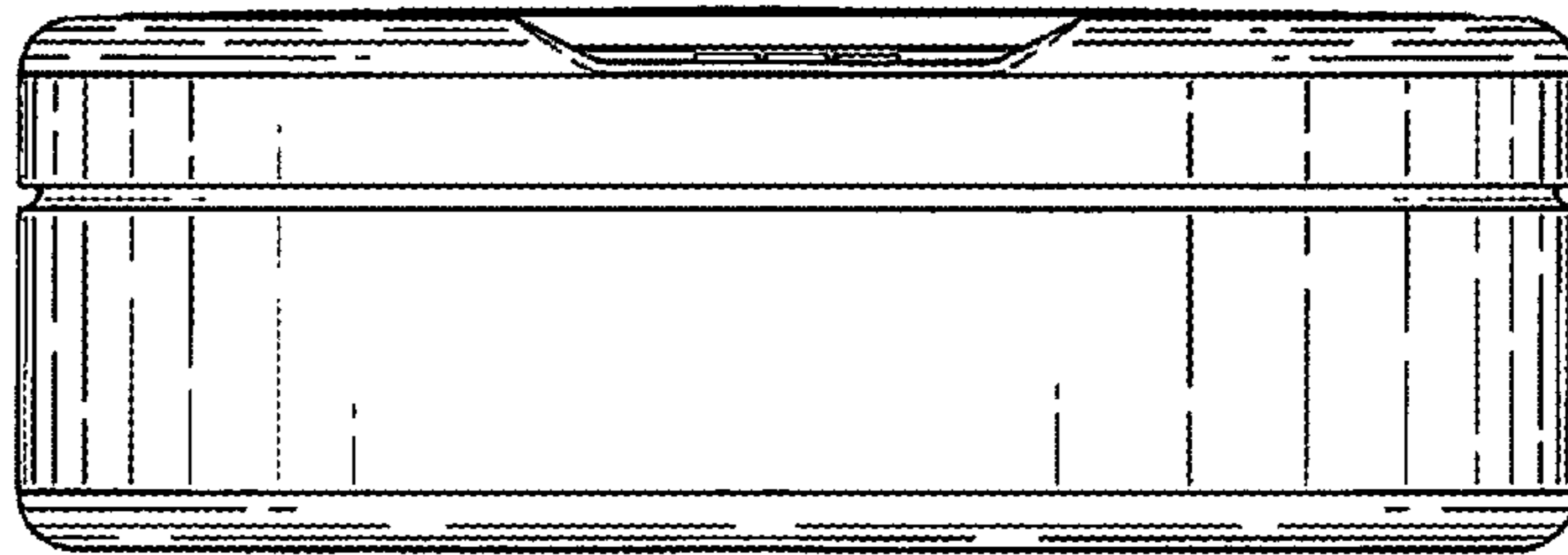


FIG. 18

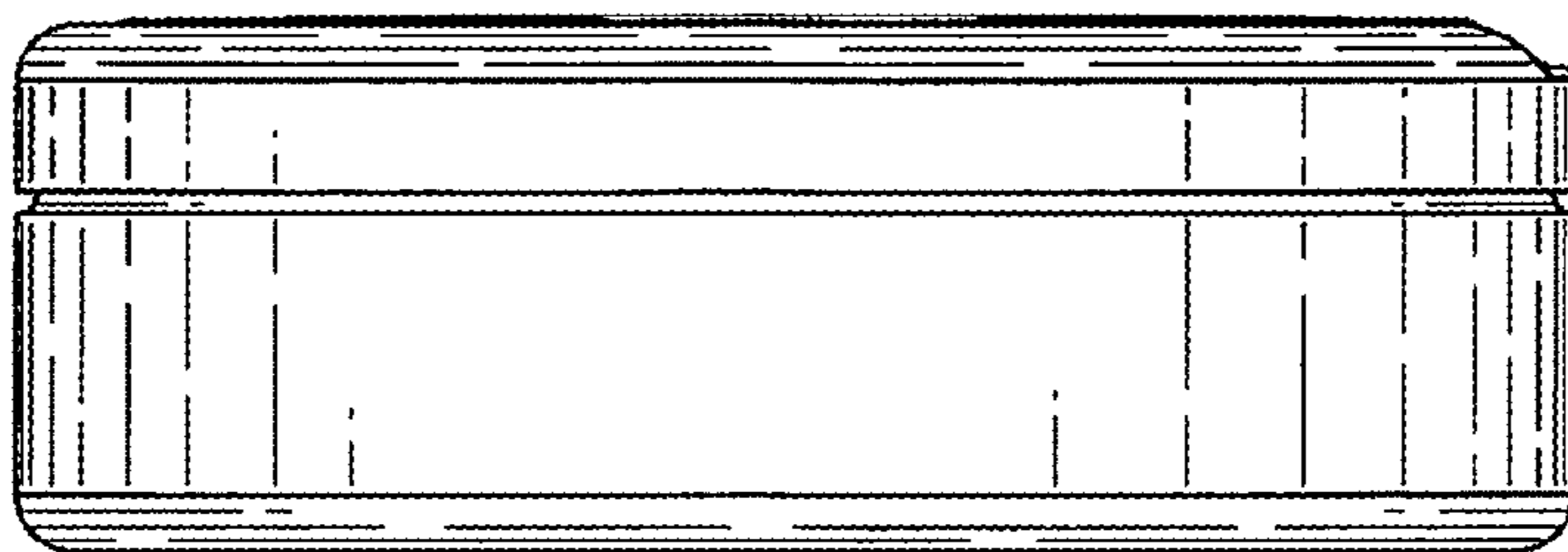


FIG. 19

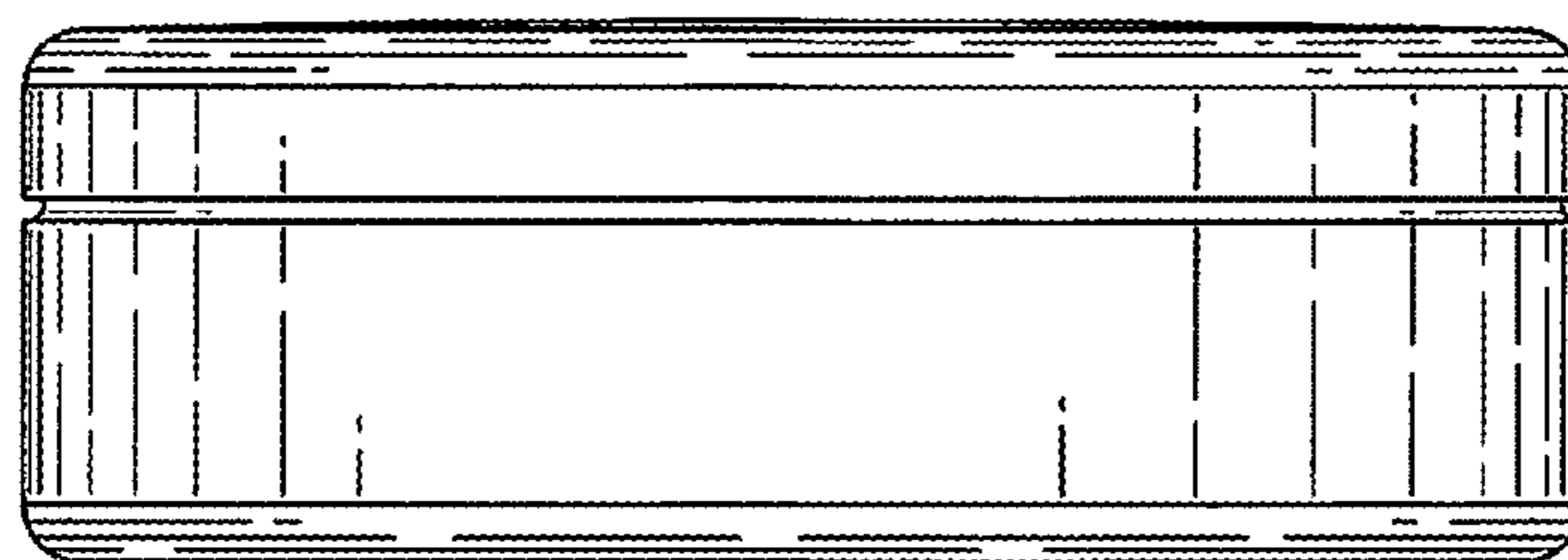


FIG. 20

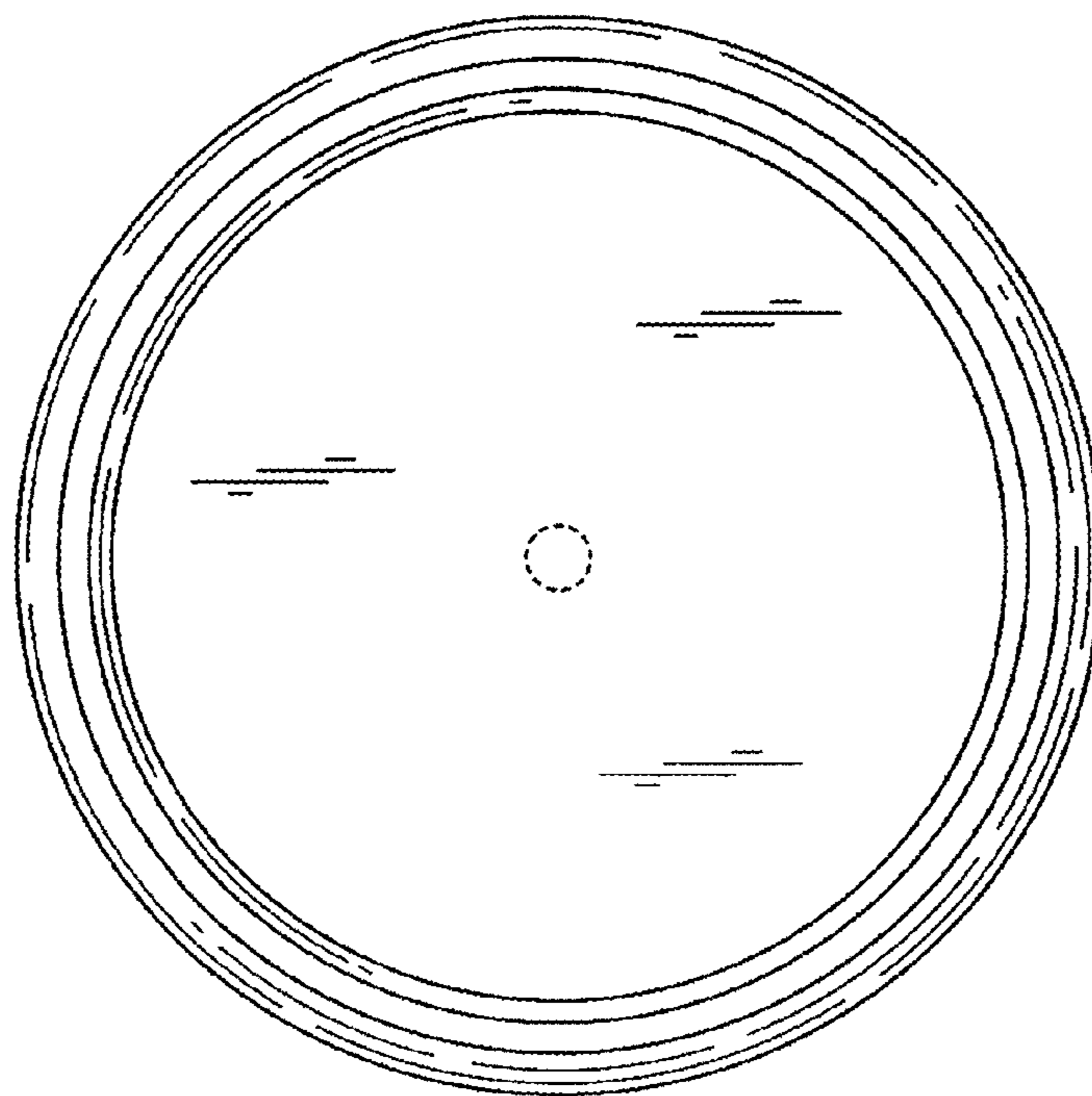


FIG. 21

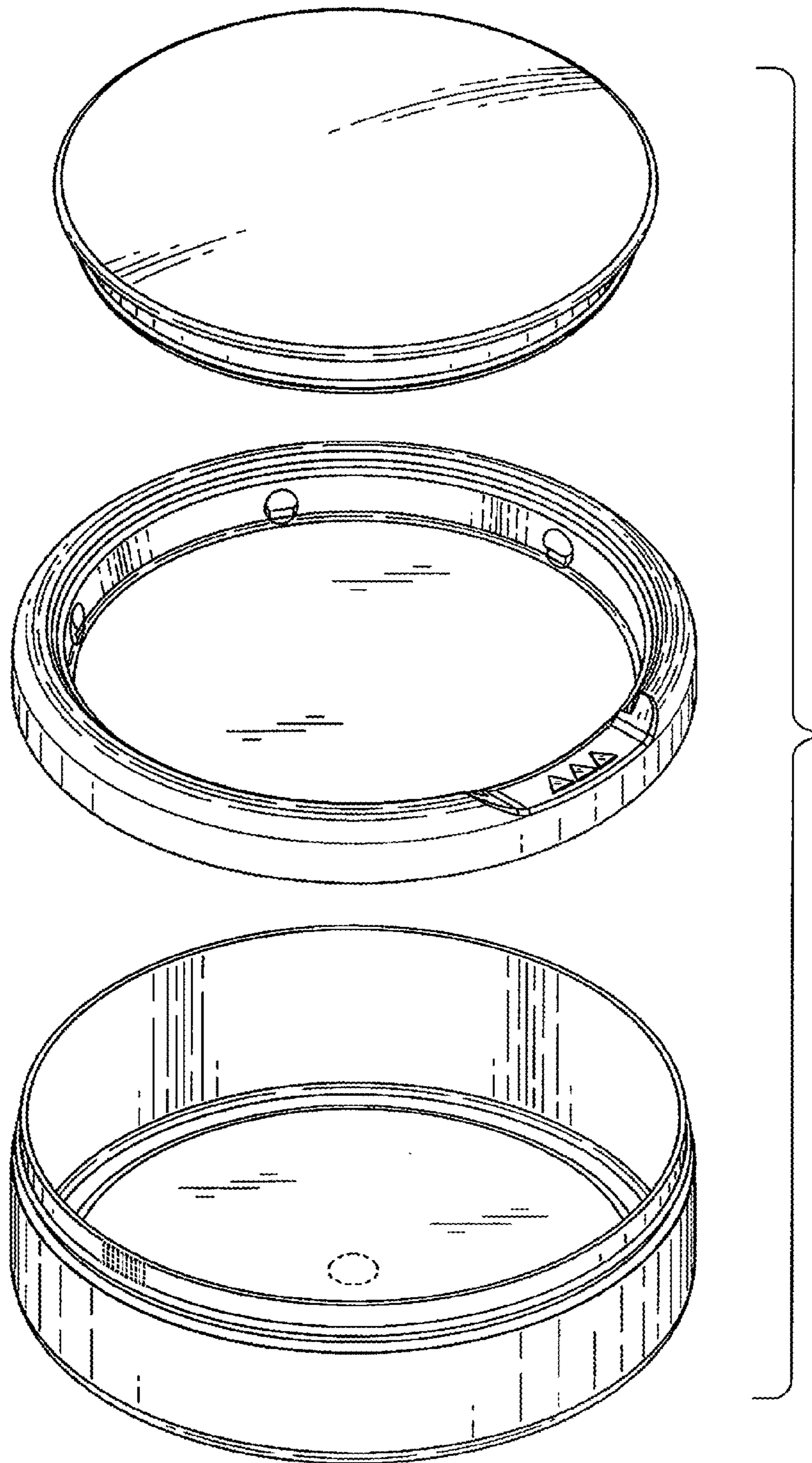


FIG. 22

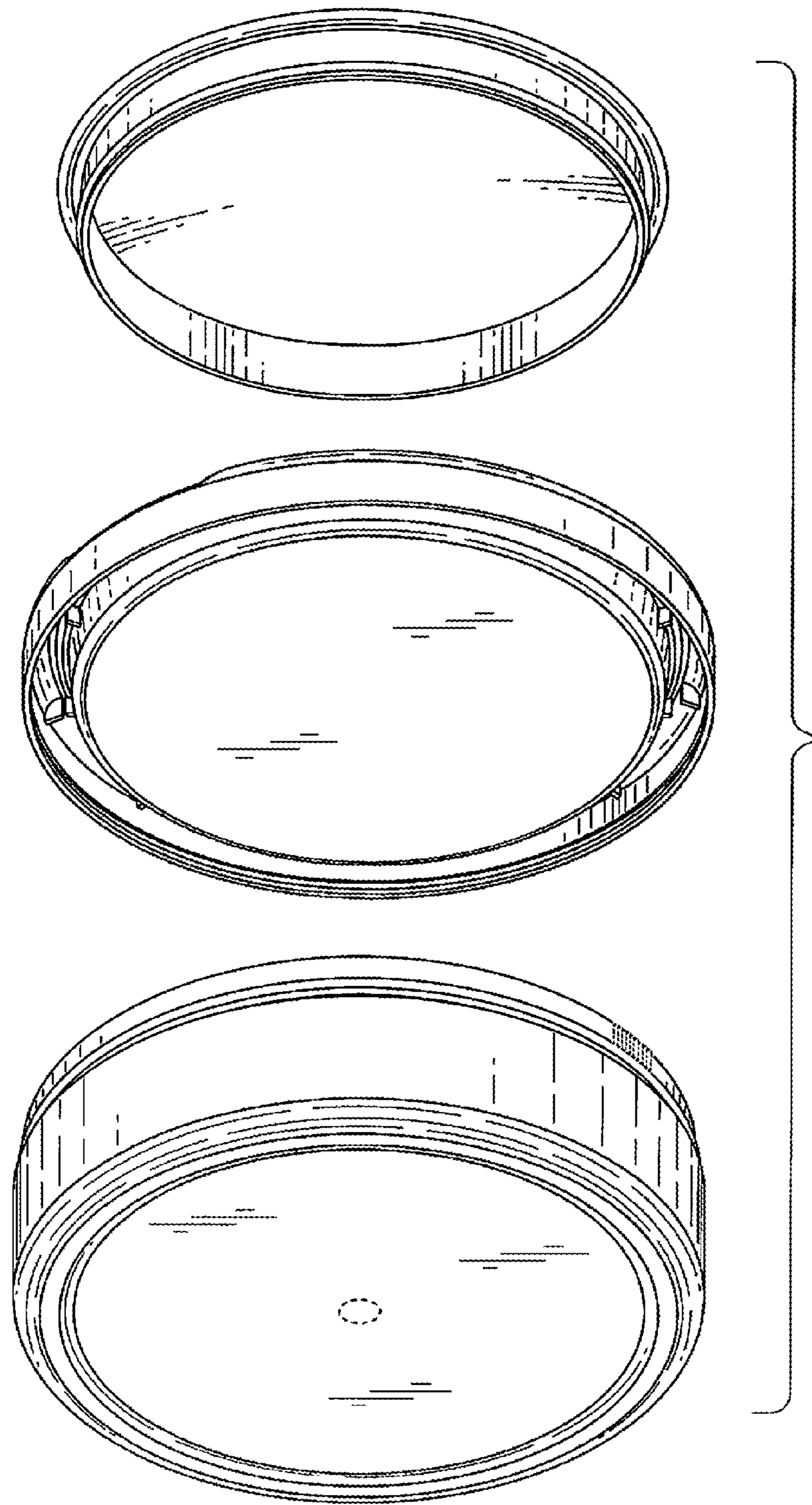


FIG. 23

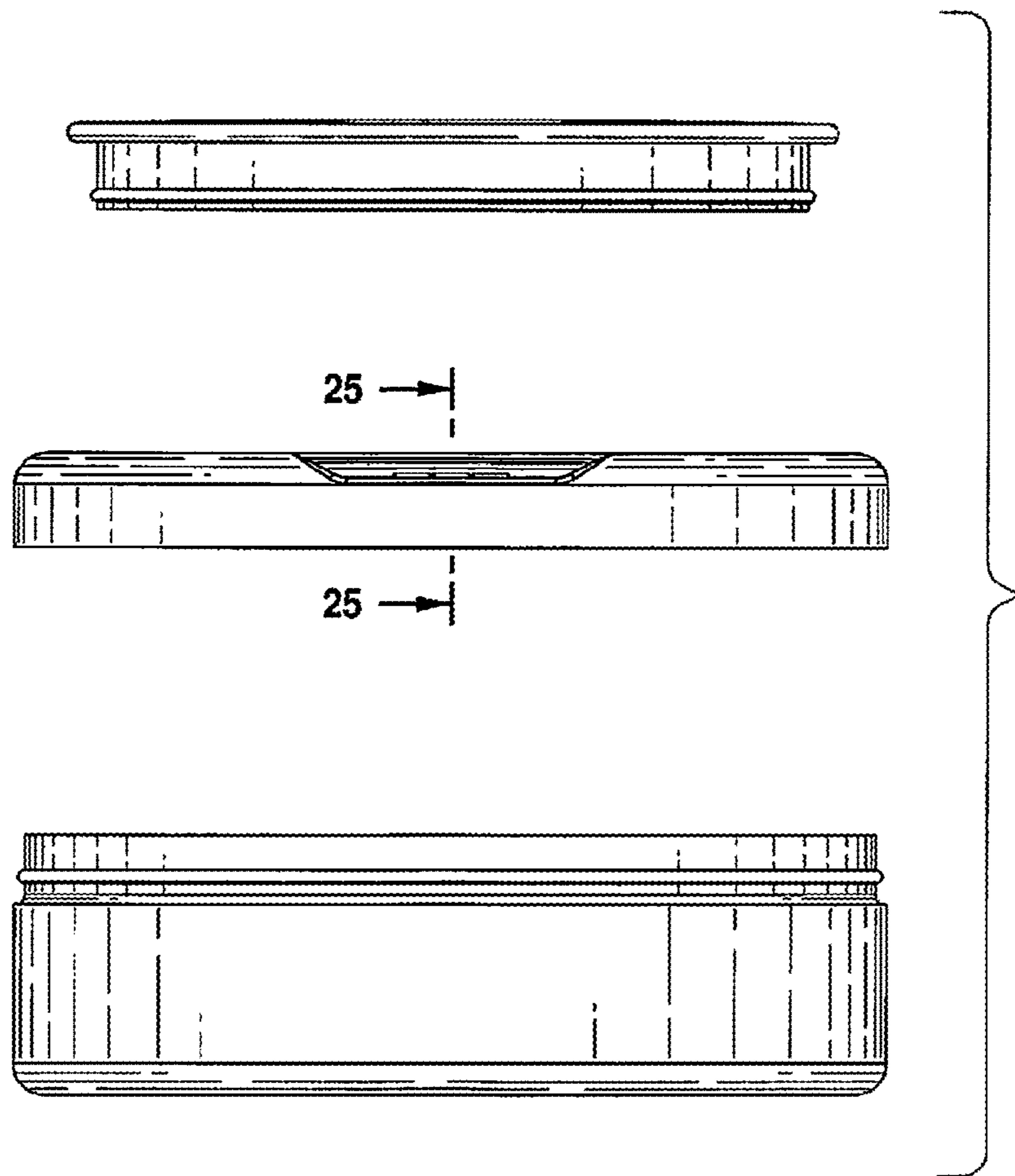


FIG. 24

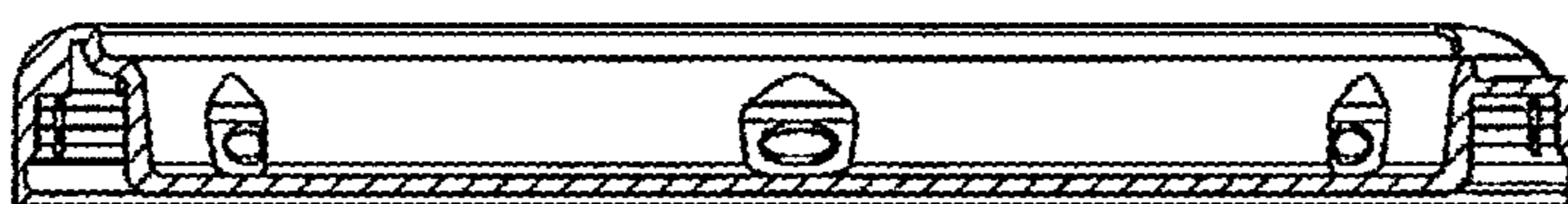


FIG. 25



FIG. 26



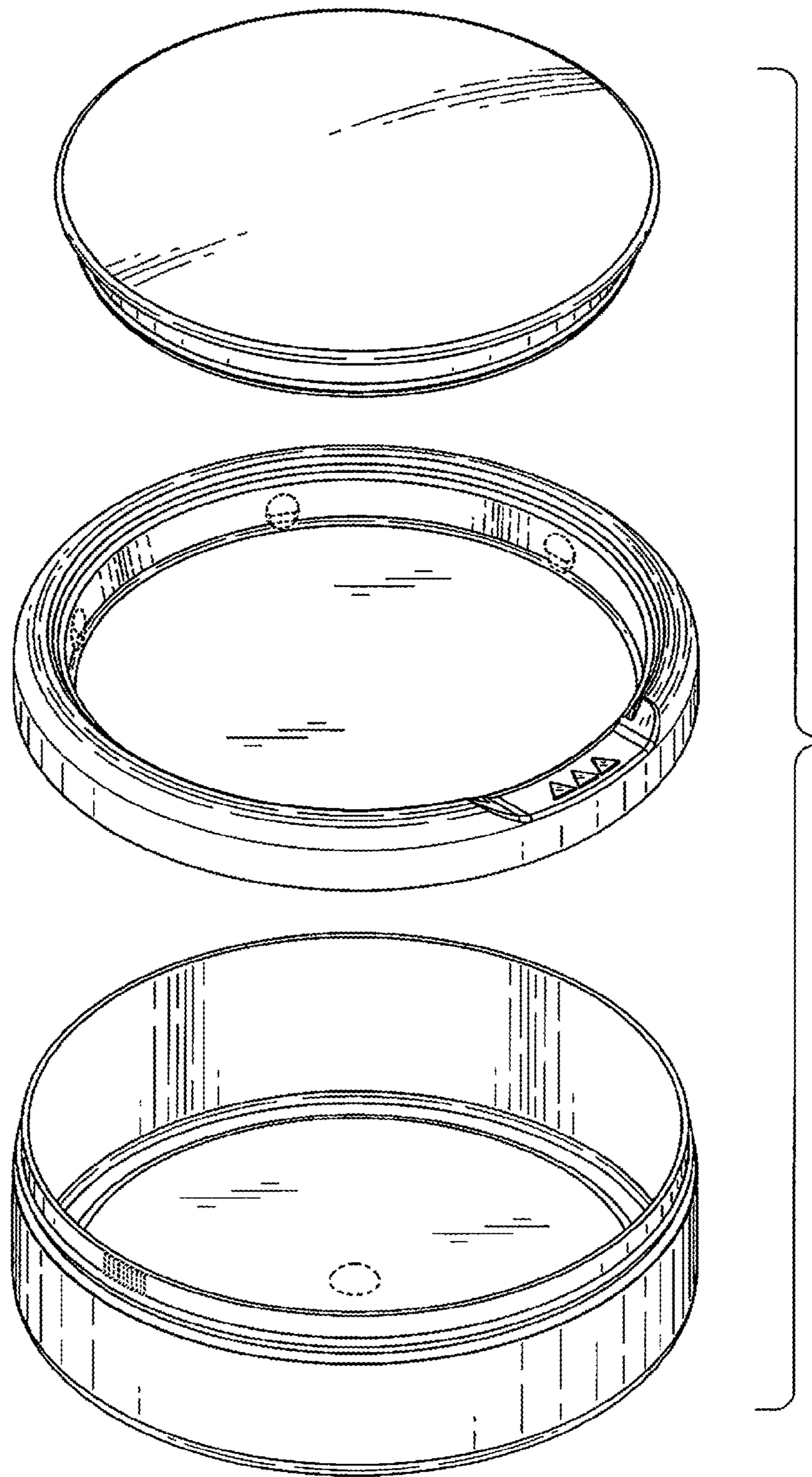


FIG. 27

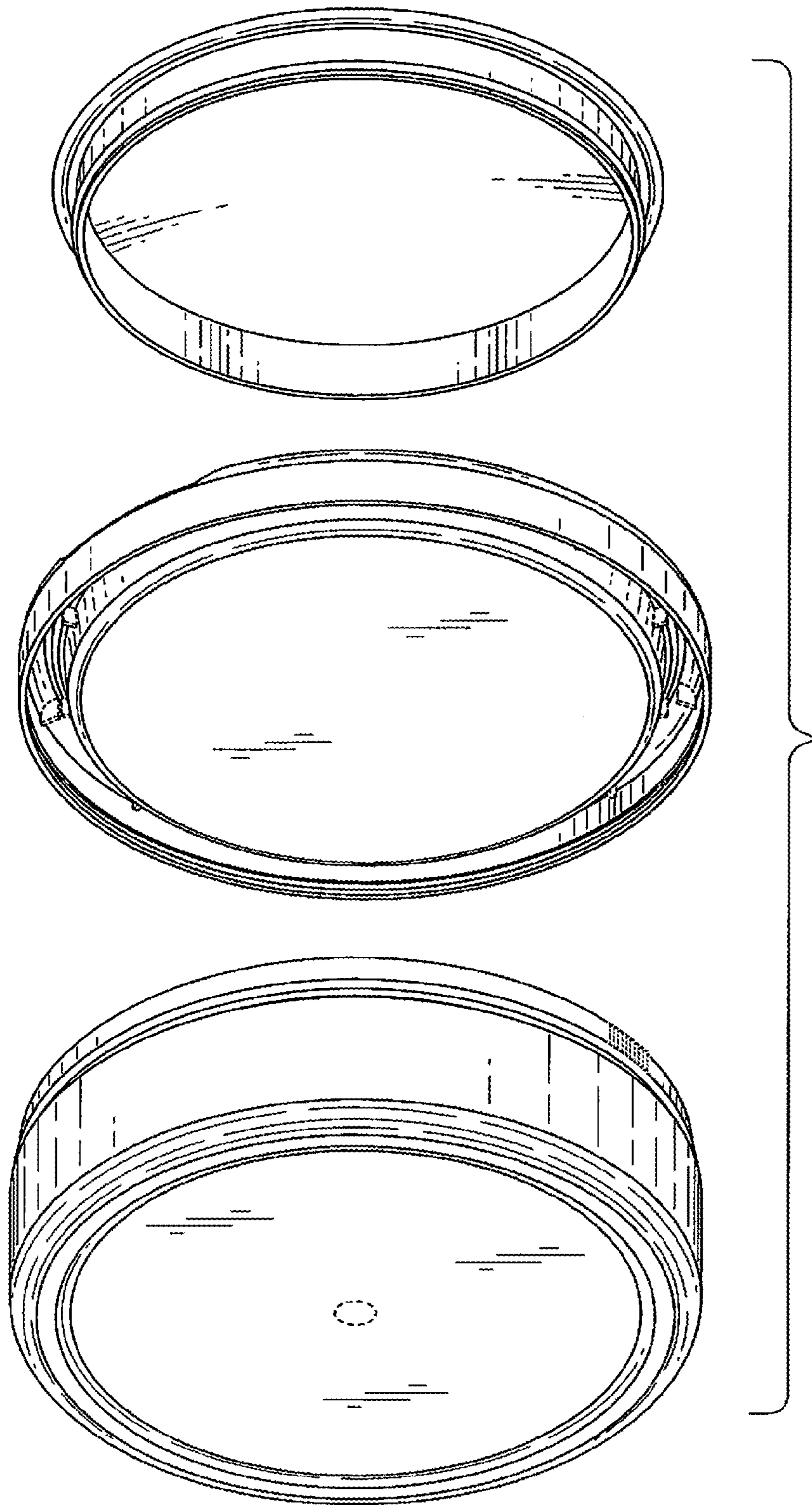


FIG. 28

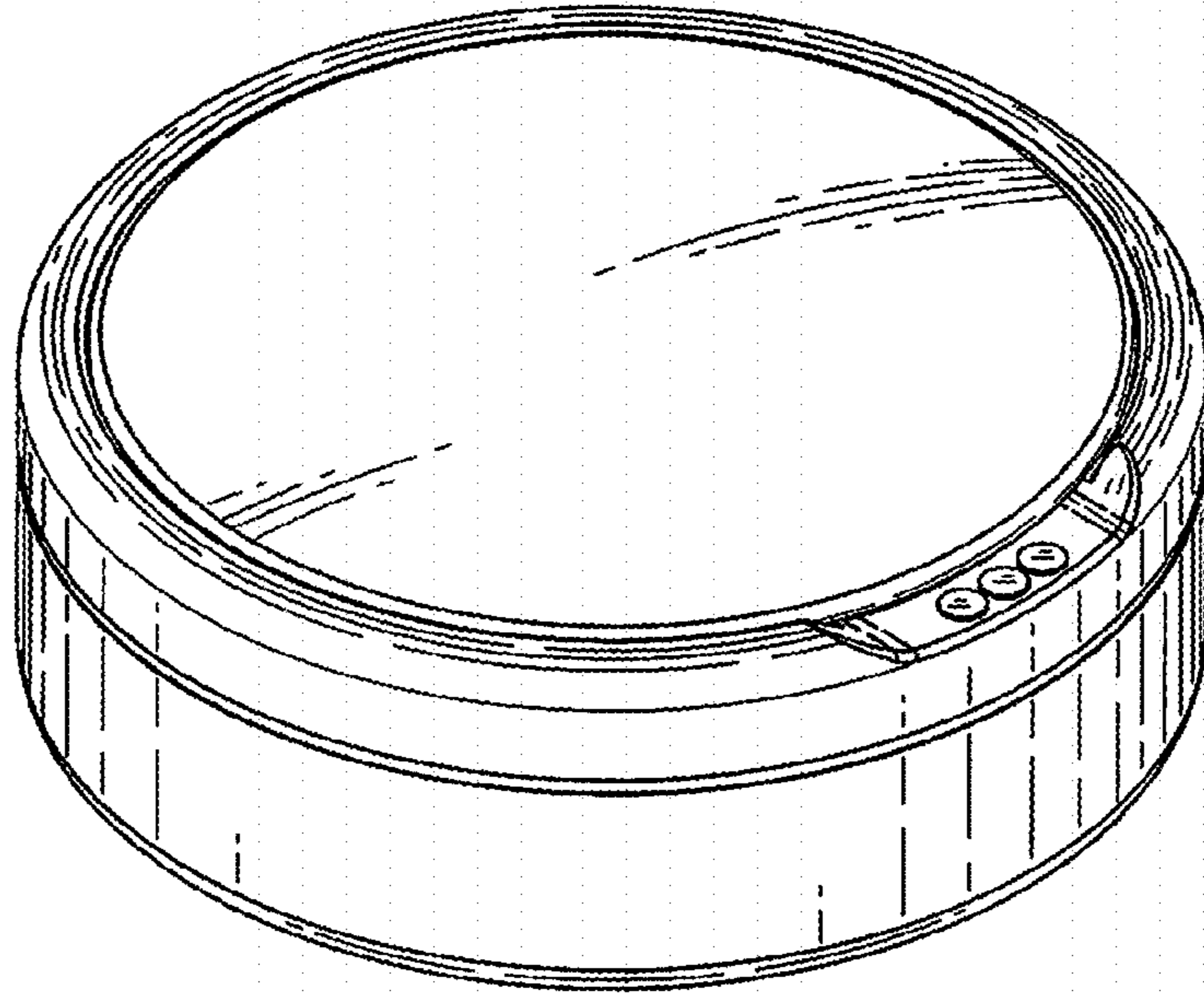


FIG. 29

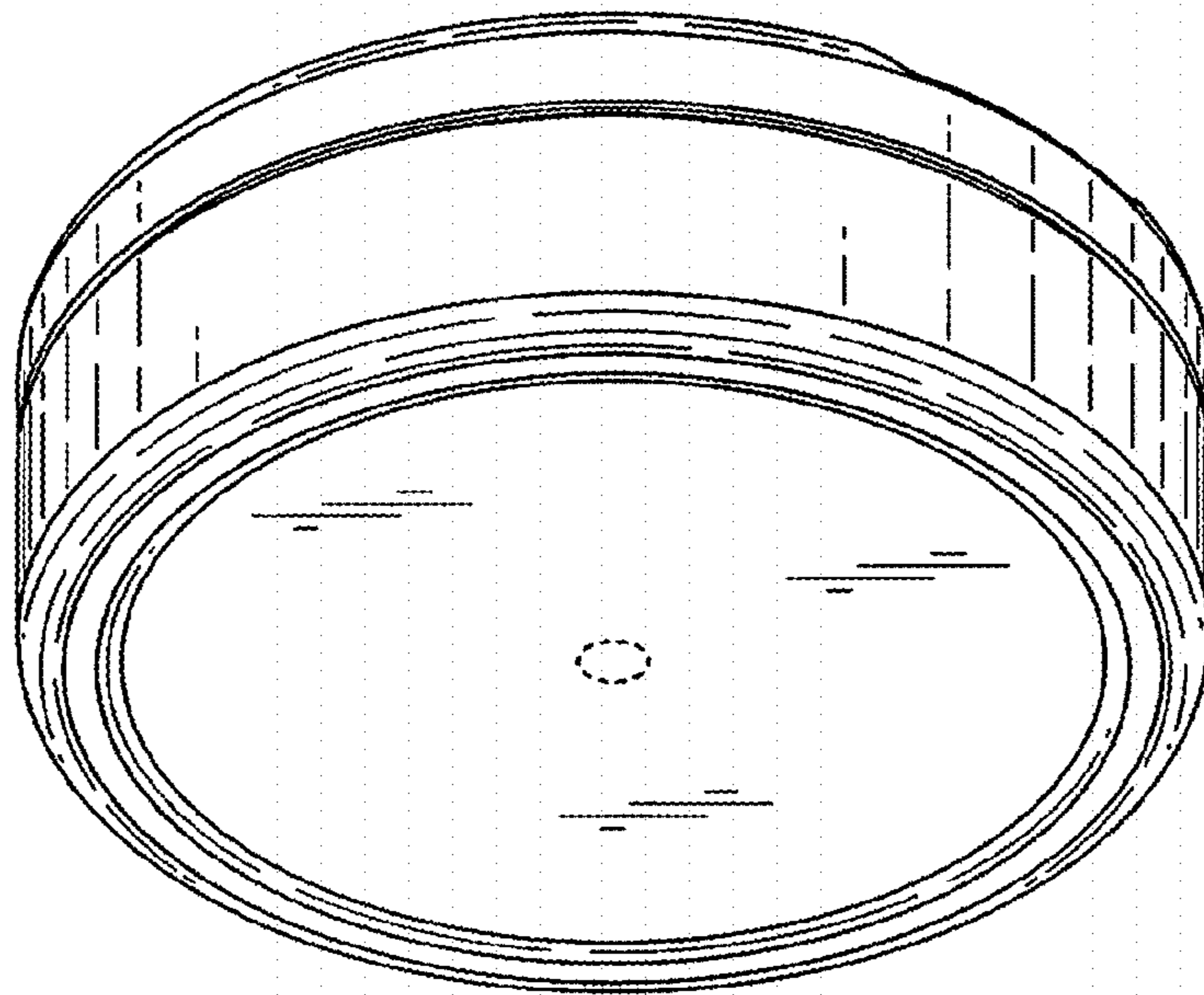


FIG. 30

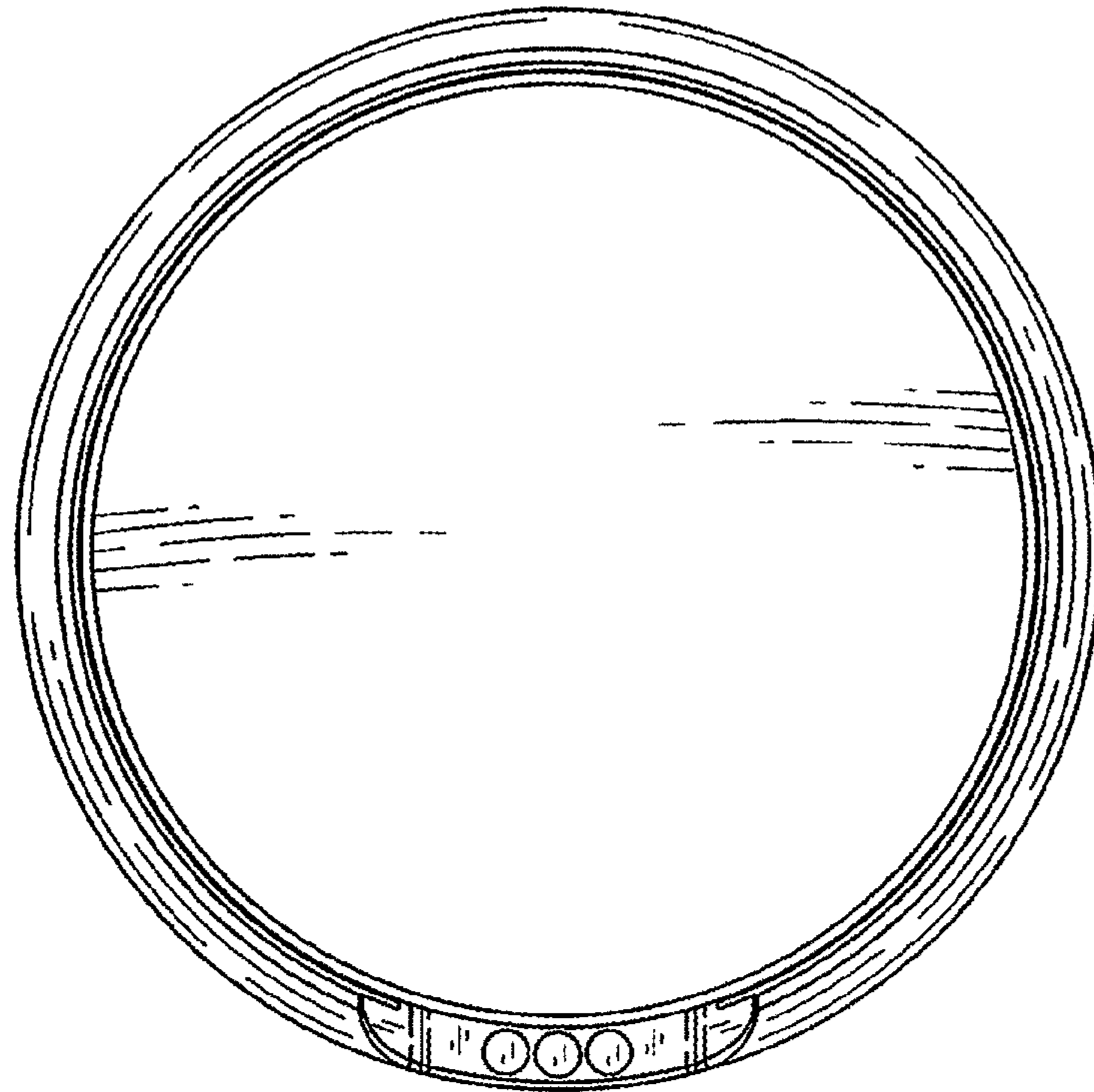


FIG. 31

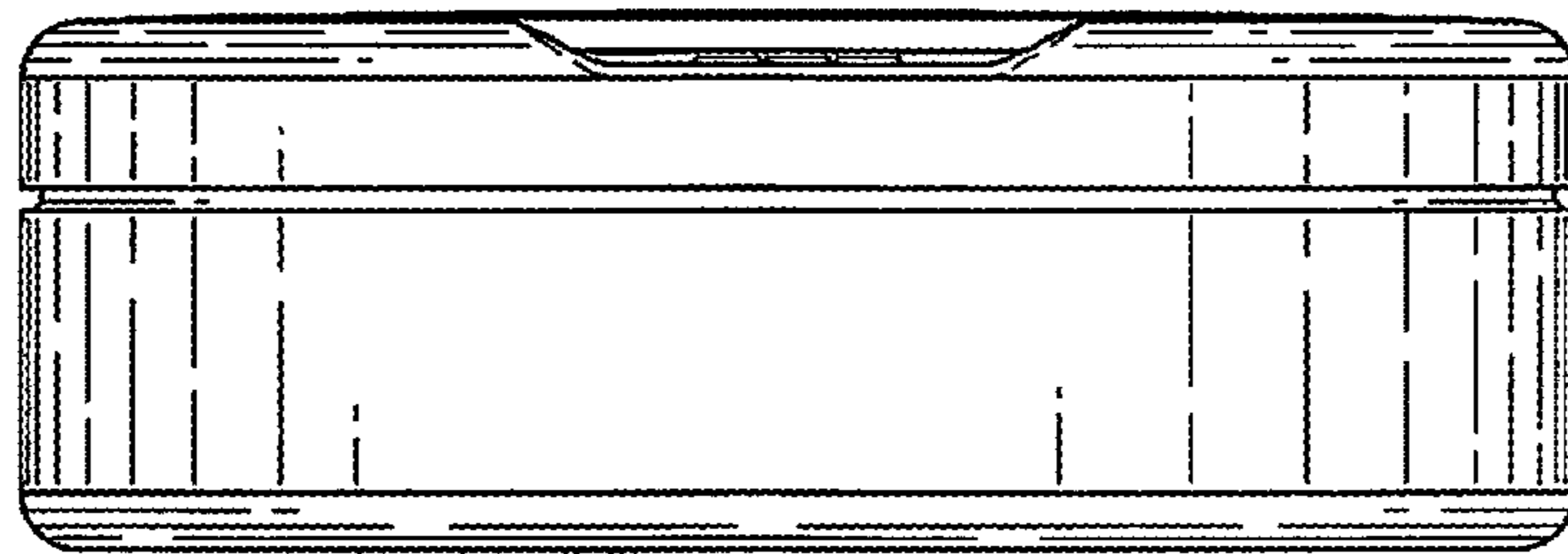


FIG. 32

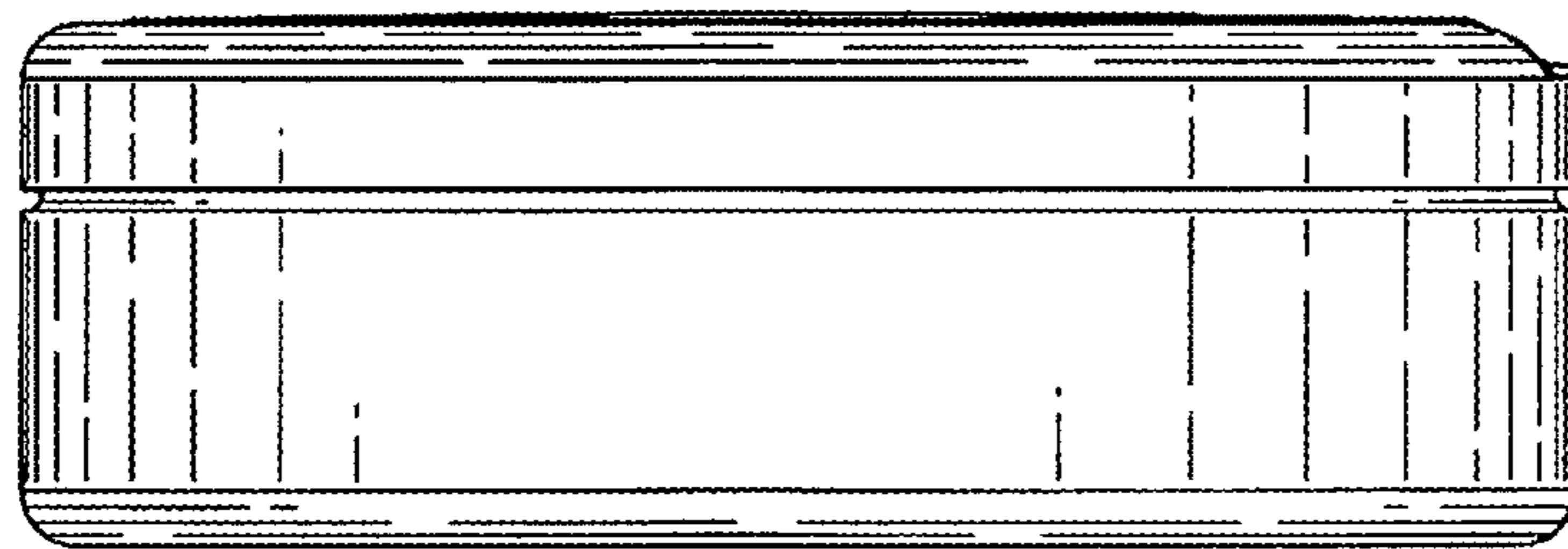


FIG. 33

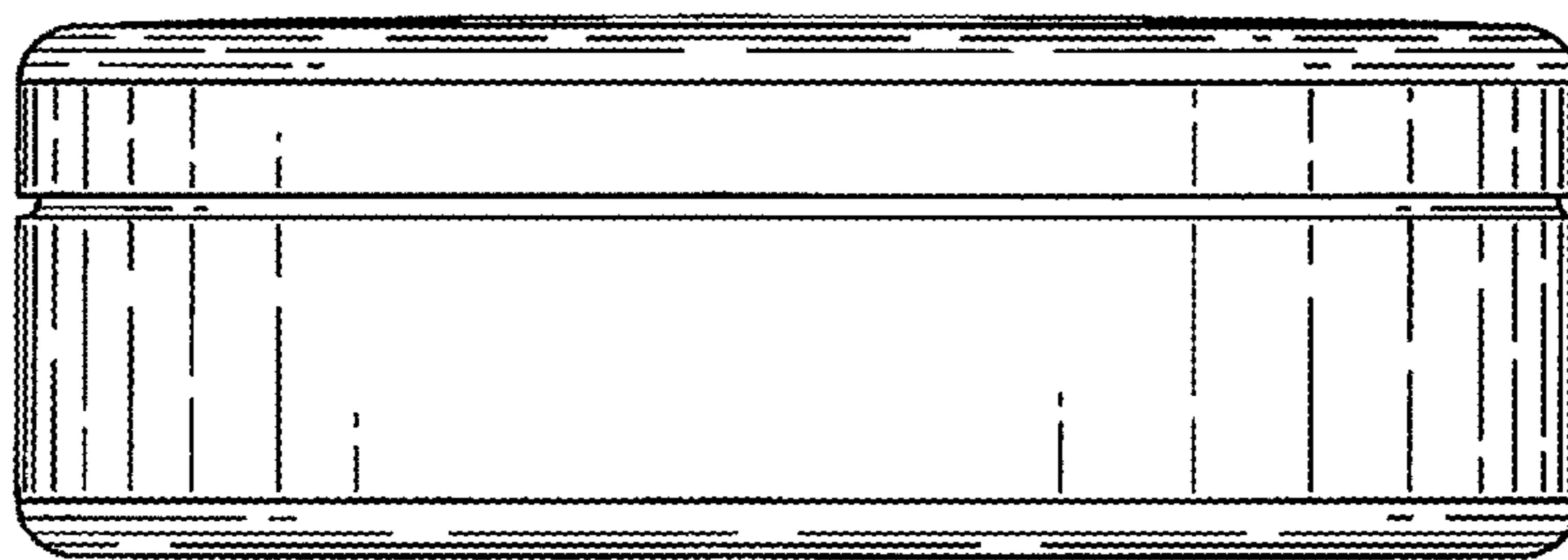


FIG. 34

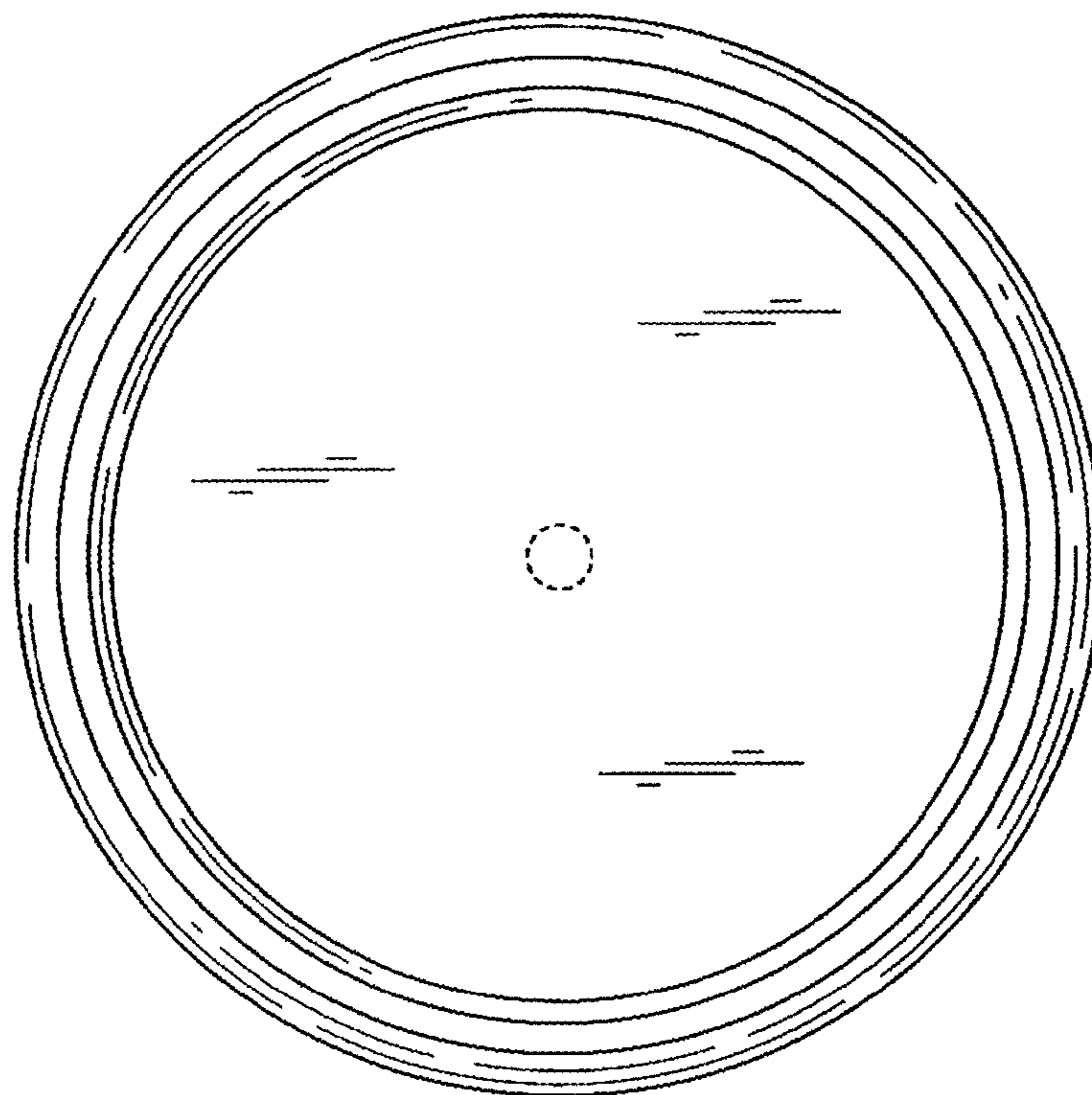


FIG. 35

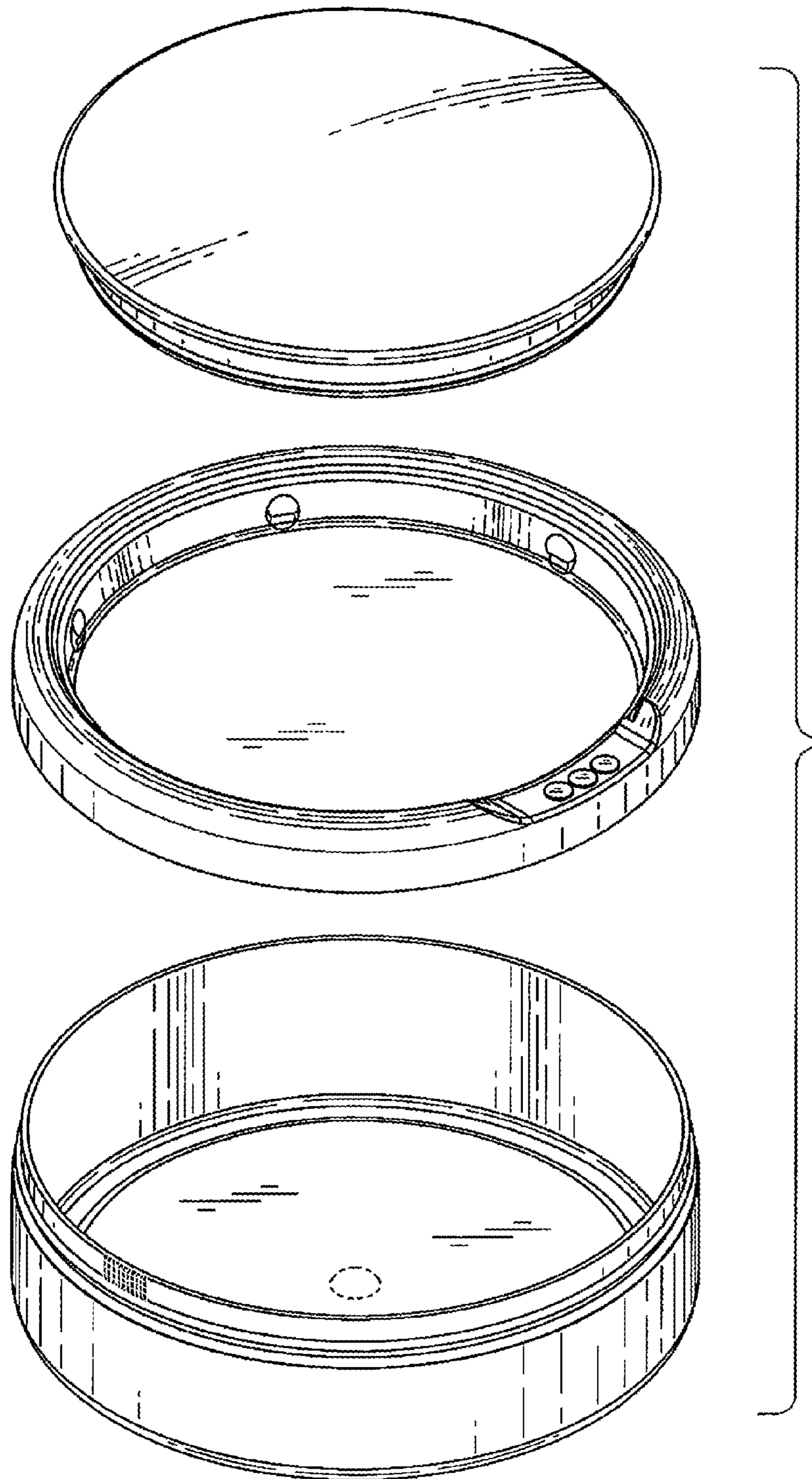


FIG. 36

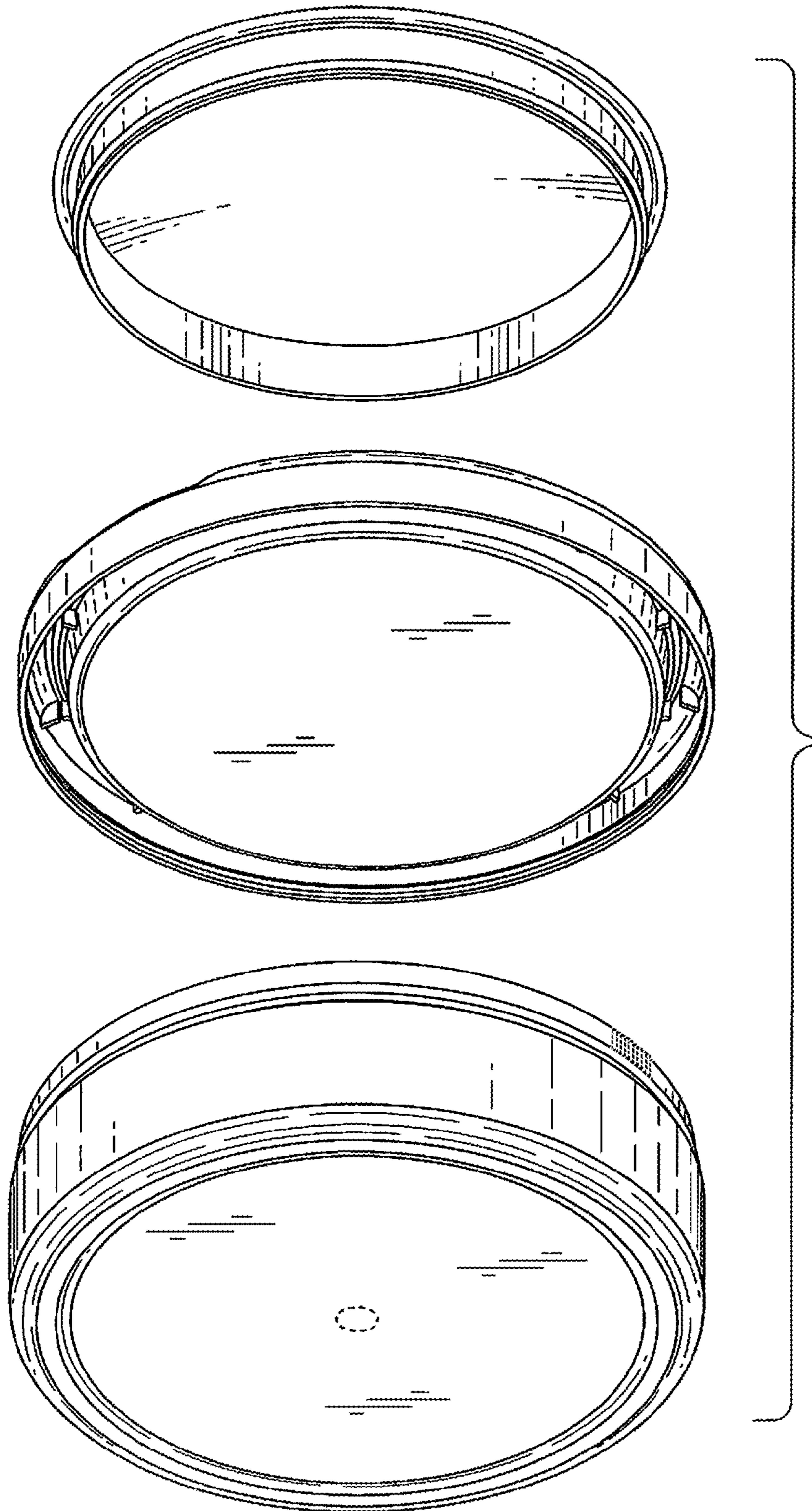


FIG. 37

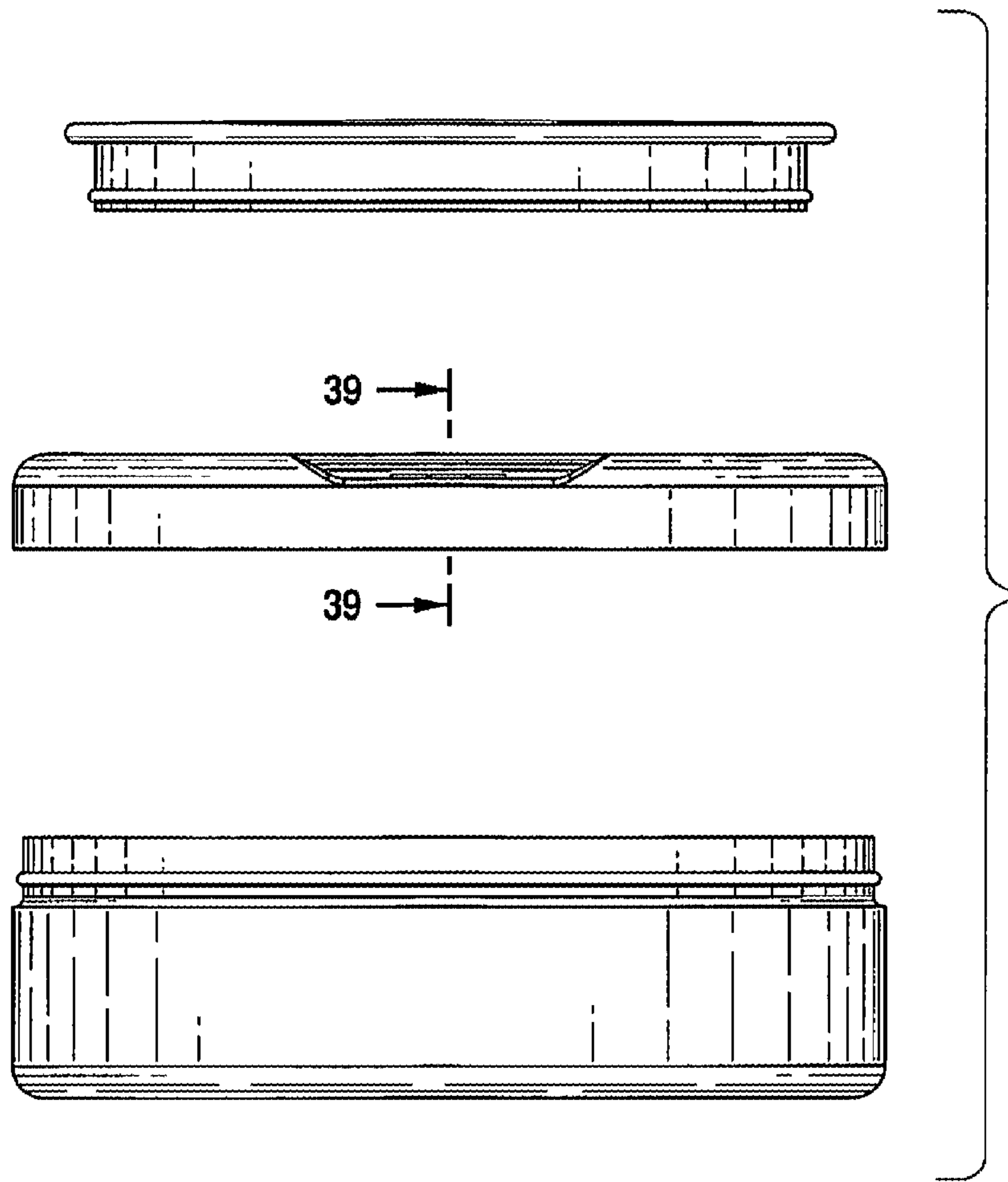


FIG. 38

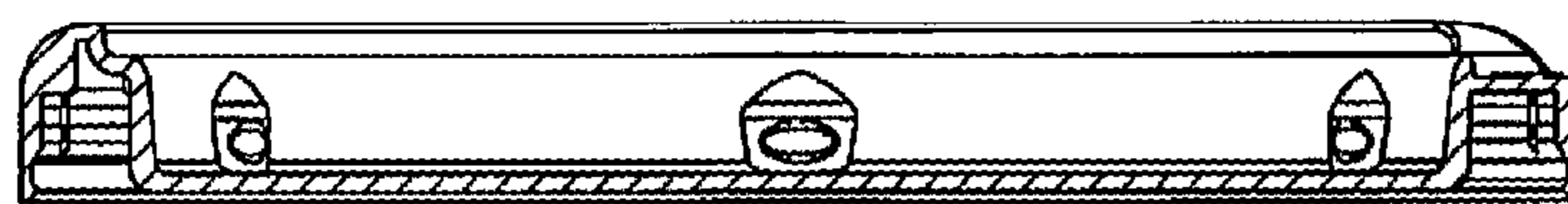


FIG. 39

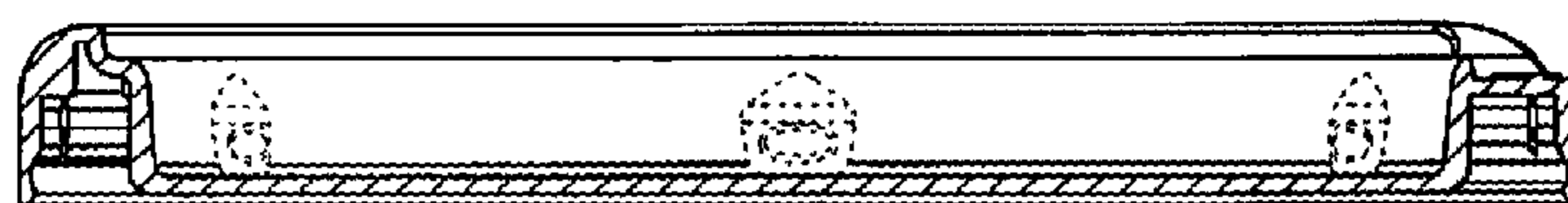


FIG. 40



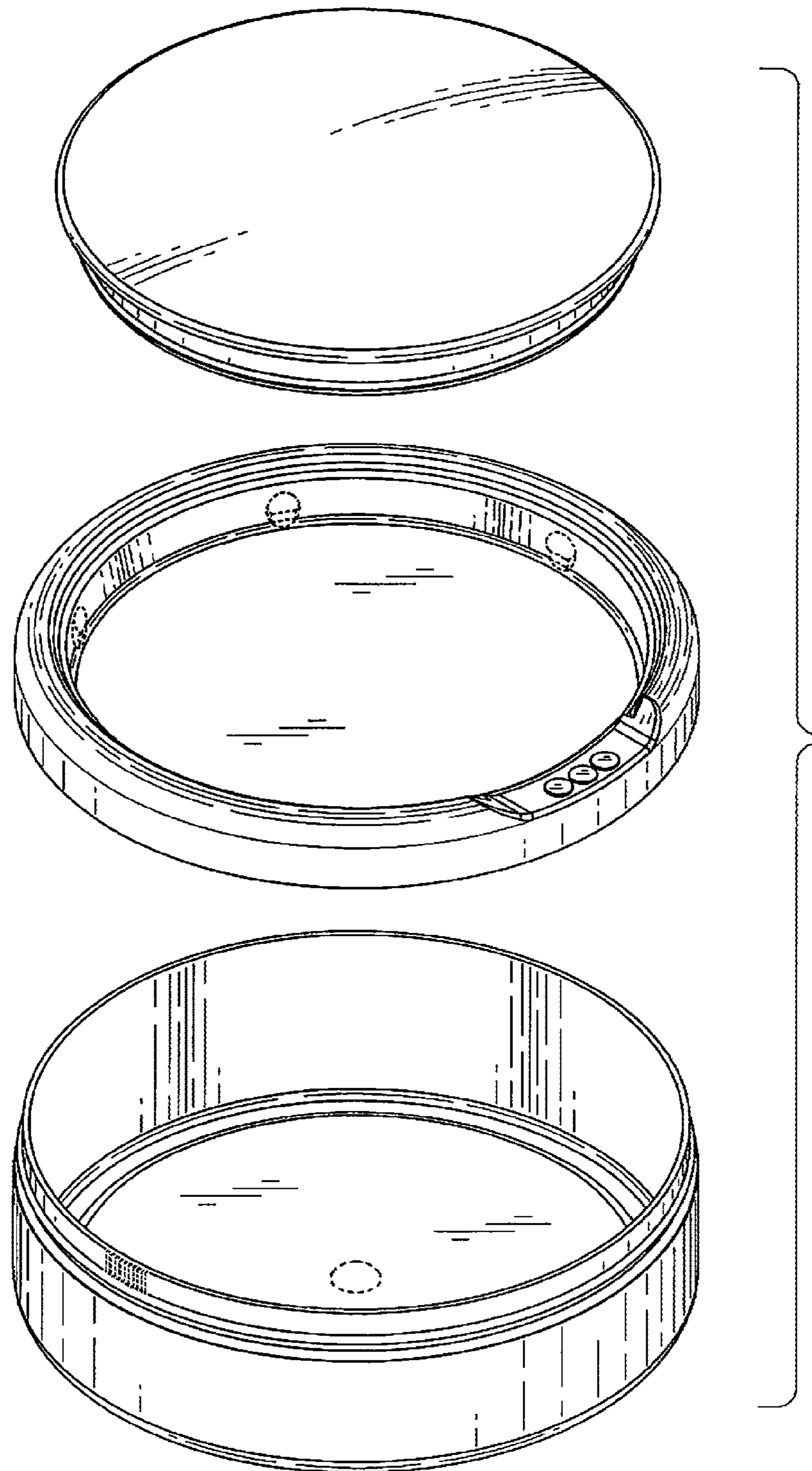


FIG. 41

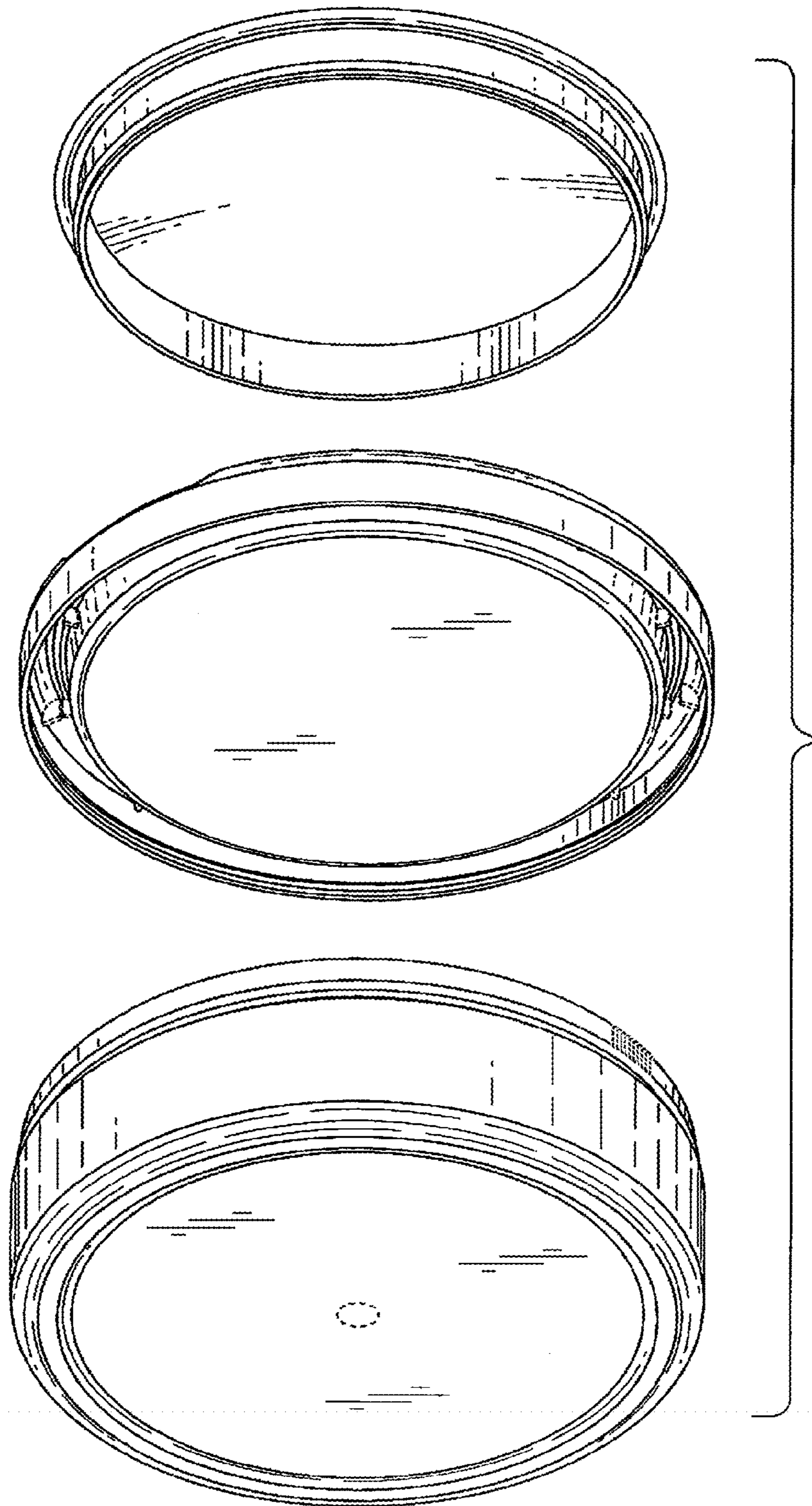


FIG. 42