



US00D756789S

(12) **United States Design Patent**
Darling et al.

(10) **Patent No.:** **US D756,789 S**

(45) **Date of Patent:** **** *May 24, 2016**

(54) **BABY FOOD CONTAINER**

(71) Applicant: **Beech-Nut Nutrition Company,**
Amsterdam, NY (US)

(72) Inventors: **Christopher Darling,** Amsterdam, NY (US); **Robert Harvey,** Amsterdam, NY (US); **Jodi Breuer,** Amsterdam, NY (US); **Brody Boyer,** Chicago, IL (US); **Kelly Frazier,** Chicago, IL (US); **Eric Staples,** Chicago, IL (US); **Michelle Hayward,** Chicago, IL (US); **Nancy Mines,** Chicago, IL (US)

(73) Assignee: **Beech-Nut Nutrition Company,**
Amsterdam, NY (US)

(*) Notice: This patent is subject to a terminal disclaimer.

(**) Term: **14 Years**

(21) Appl. No.: **29/486,039**

(22) Filed: **Mar. 26, 2014**

(51) **LOC (10) Cl.** **09-01**

(52) **U.S. Cl.**
USPC **D9/503**

(58) **Field of Classification Search**
USPC D9/500, 503–505, 516, 530, 537, 539, D9/549, 558, 715, 719, 434–435, 454; D7/601–602, 629–630; D24/197
CPC B65D 1/00; B65D 1/02; B65D 1/0207; B65D 1/0223; B65D 1/10; B65D 23/00; B65D 2501/00; B65D 2501/0009
See application file for complete search history.

(56) **References Cited**

U.S. PATENT DOCUMENTS

730,510 A * 6/1903 Beach 215/43
D111,313 S * 9/1938 Titze D7/597

D117,843 S *	11/1939	Smith	D9/502
2,259,856 A *	10/1941	Moore	220/718
D166,116 S *	3/1952	Menefee, Jr.	D9/502
2,717,727 A *	9/1955	Robb	222/512
D194,944 S *	4/1963	Frazier, Jr.	D26/11
D223,996 S *	6/1972	Courreges	D9/503
D289,259 S *	4/1987	Strand	D9/501
D298,592 S *	11/1988	Stoop	D9/500
5,165,965 A *	11/1992	Martin	427/256
D365,759 S *	1/1996	Otani et al.	D9/504
D516,429 S *	3/2006	Helps et al.	D9/503
D619,460 S *	7/2010	Beckerman	D9/500
D644,938 S *	9/2011	Saunders et al.	D9/716
D646,572 S *	10/2011	Koeleman	D9/500
D674,238 S *	1/2013	Zimmer	D7/396.2
D717,116 S *	11/2014	Aslan	D7/523
D719,448 S *	12/2014	Pires et al.	D9/504
D719,463 S *	12/2014	Pires et al.	D9/691
D729,593 S *	5/2015	Myoung	D7/669

* cited by examiner

Primary Examiner — Dana L Meyrow

(74) *Attorney, Agent, or Firm* — Phillips Lytle LLP

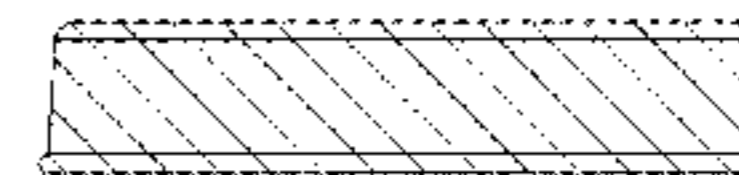
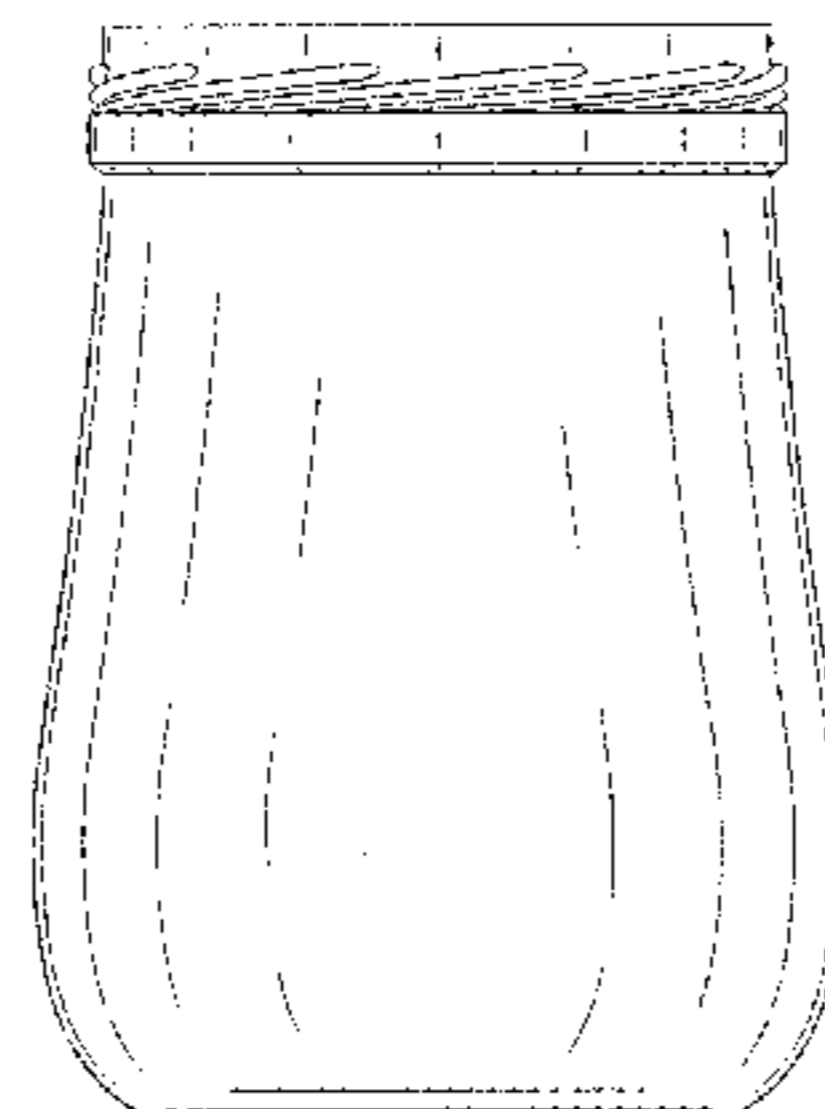
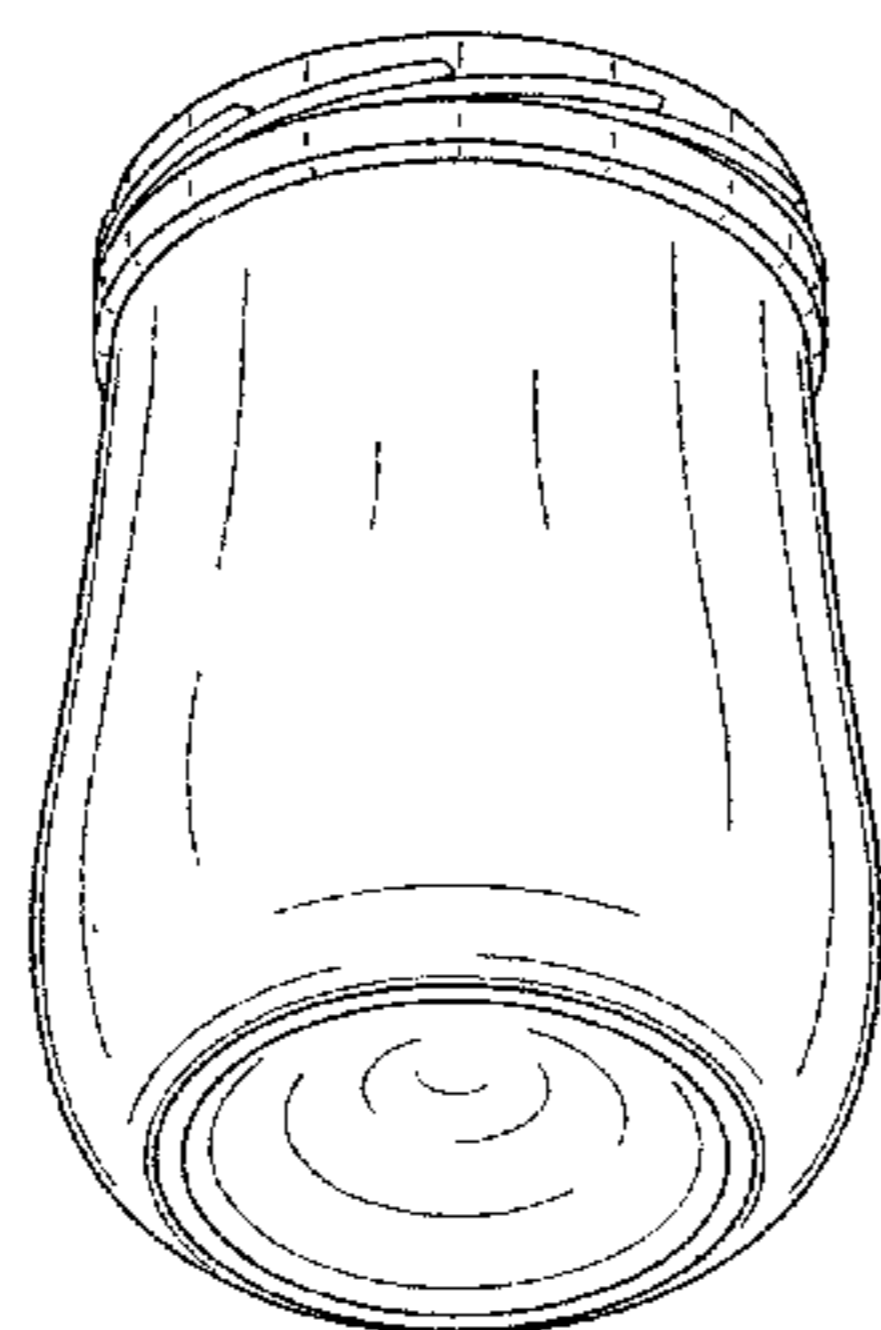
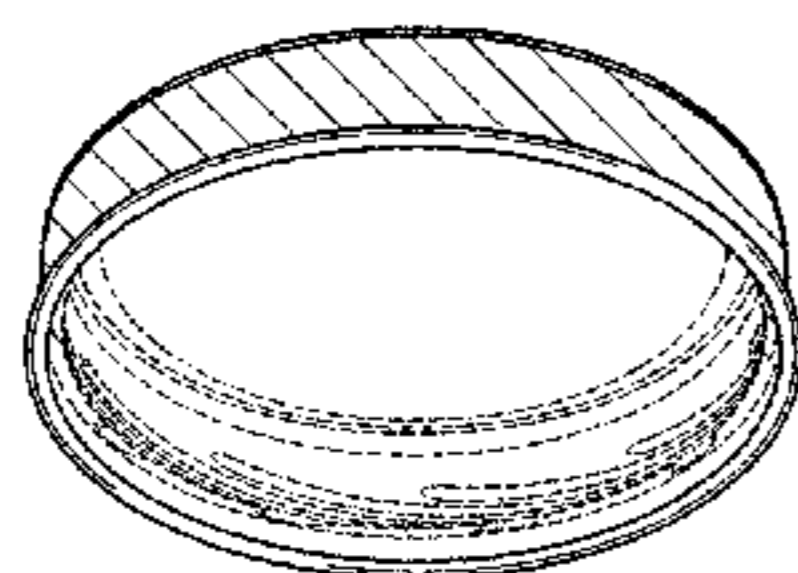
(57) **CLAIM**

The ornamental design for a baby food container, as shown and described.

DESCRIPTION

FIG. 1 is a front perspective view of a baby food container showing the new design.
FIG. 2 is an upper perspective view thereof.
FIG. 3 is a lower perspective view thereof.
FIG. 4 is a front elevation view thereof, the rear elevation view being identical.
FIG. 5 is a top plan view thereof.
FIG. 6 is a bottom plan view thereof; and,
FIG. 7 is an overhead perspective view thereof.
The drawings are lined for the color green.
The broken lines in the drawings illustrate the portions of the baby food container that form no part of the claim.

1 Claim, 7 Drawing Sheets



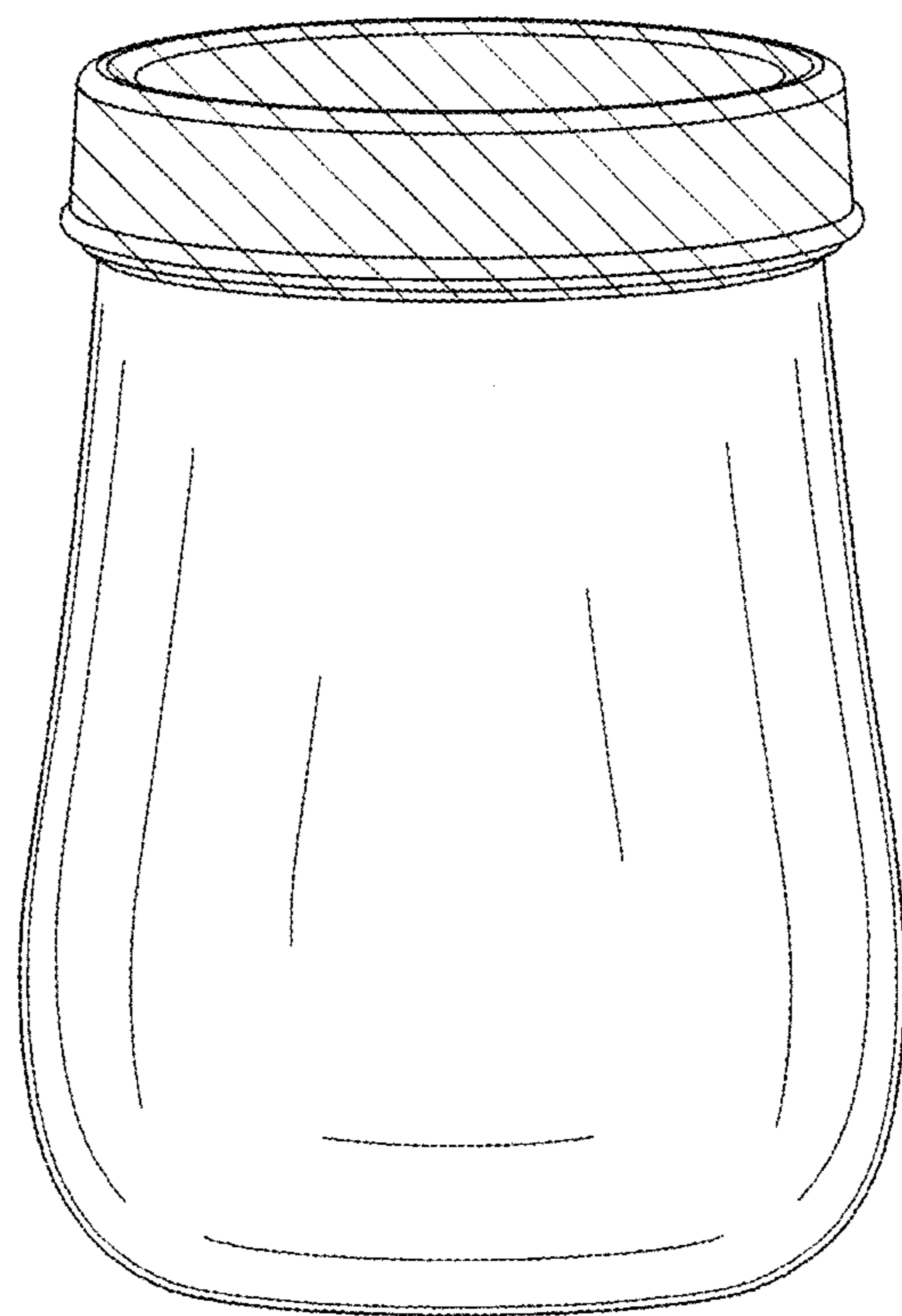


FIG. 1

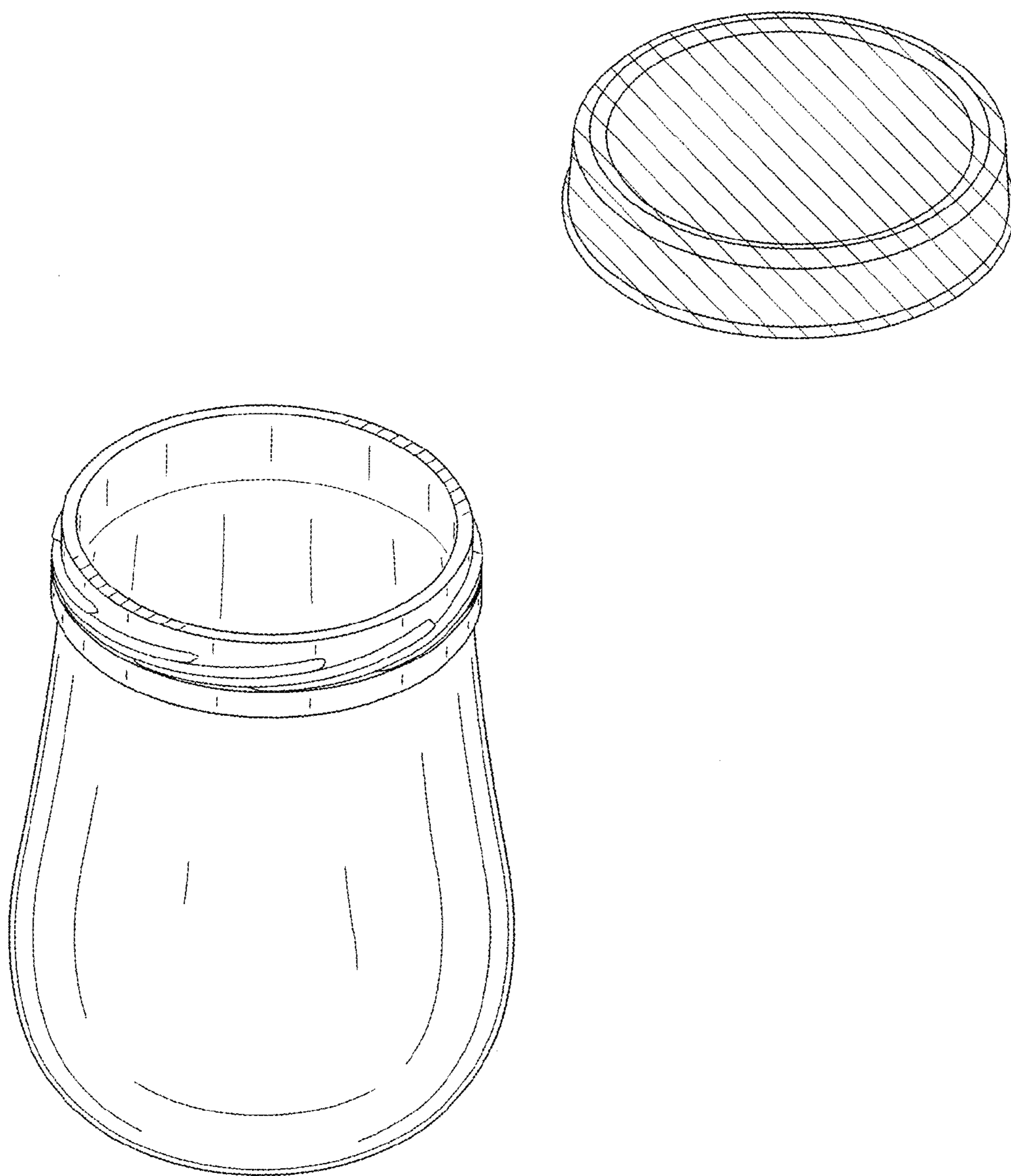


FIG. 2

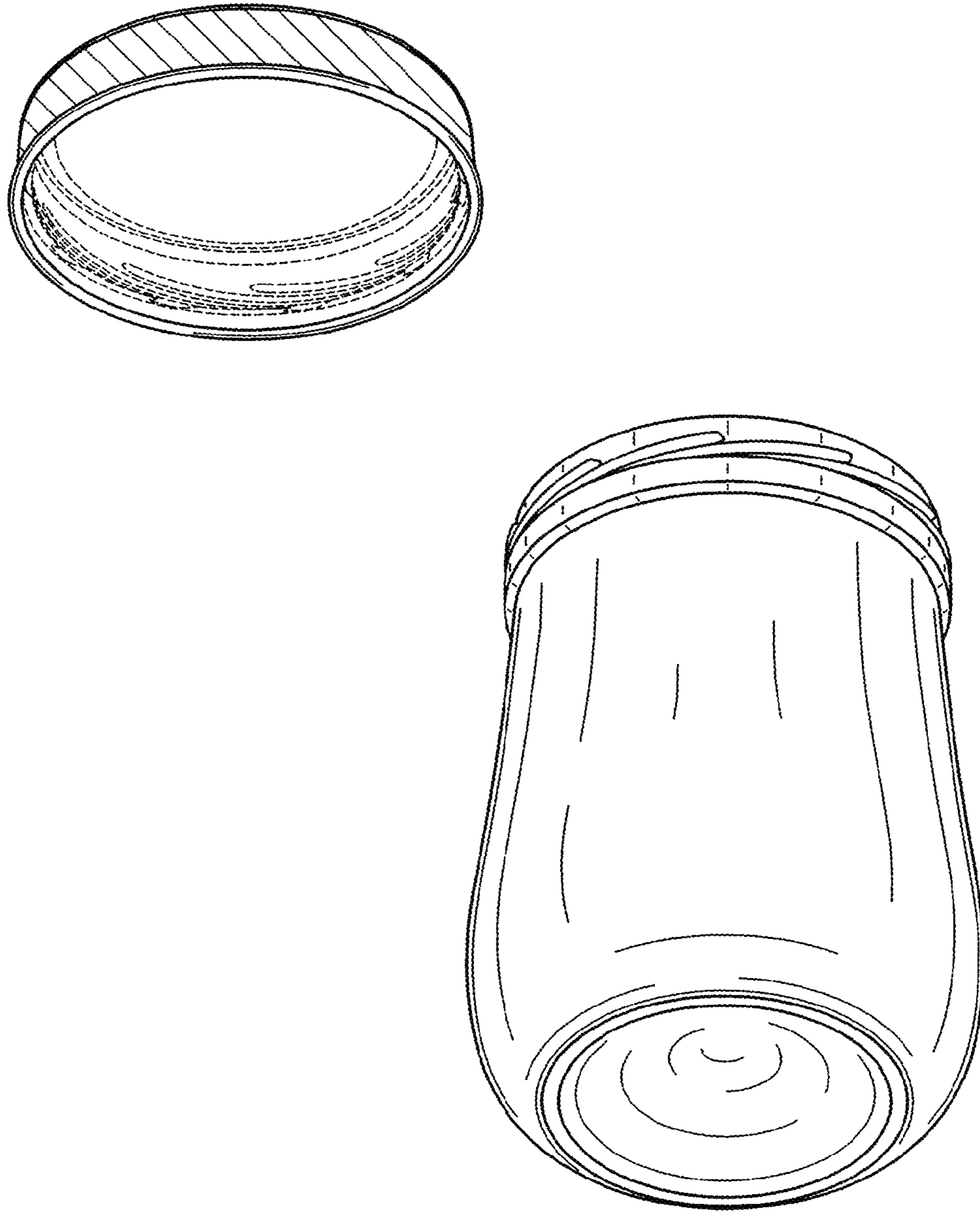


FIG. 3

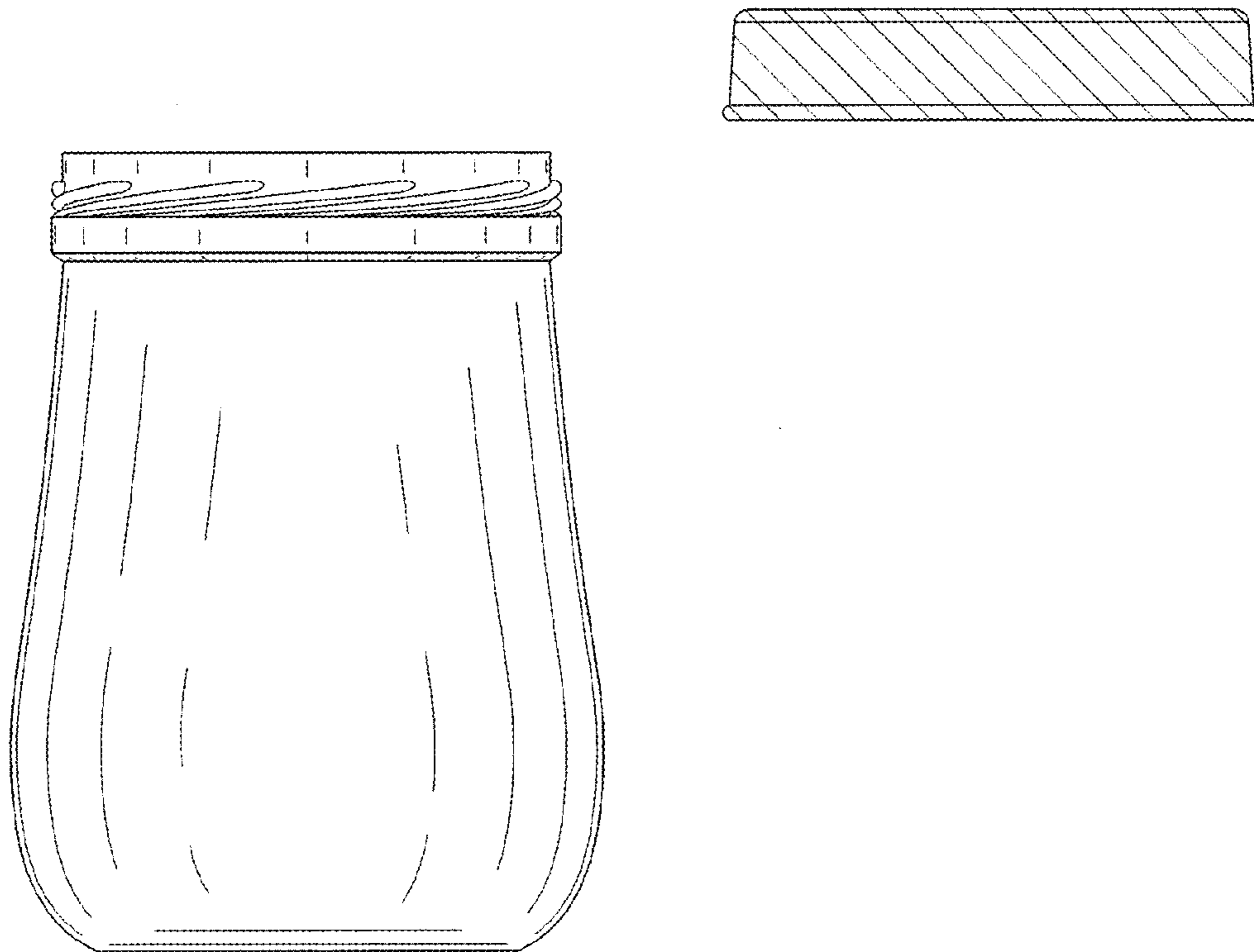


FIG. 4

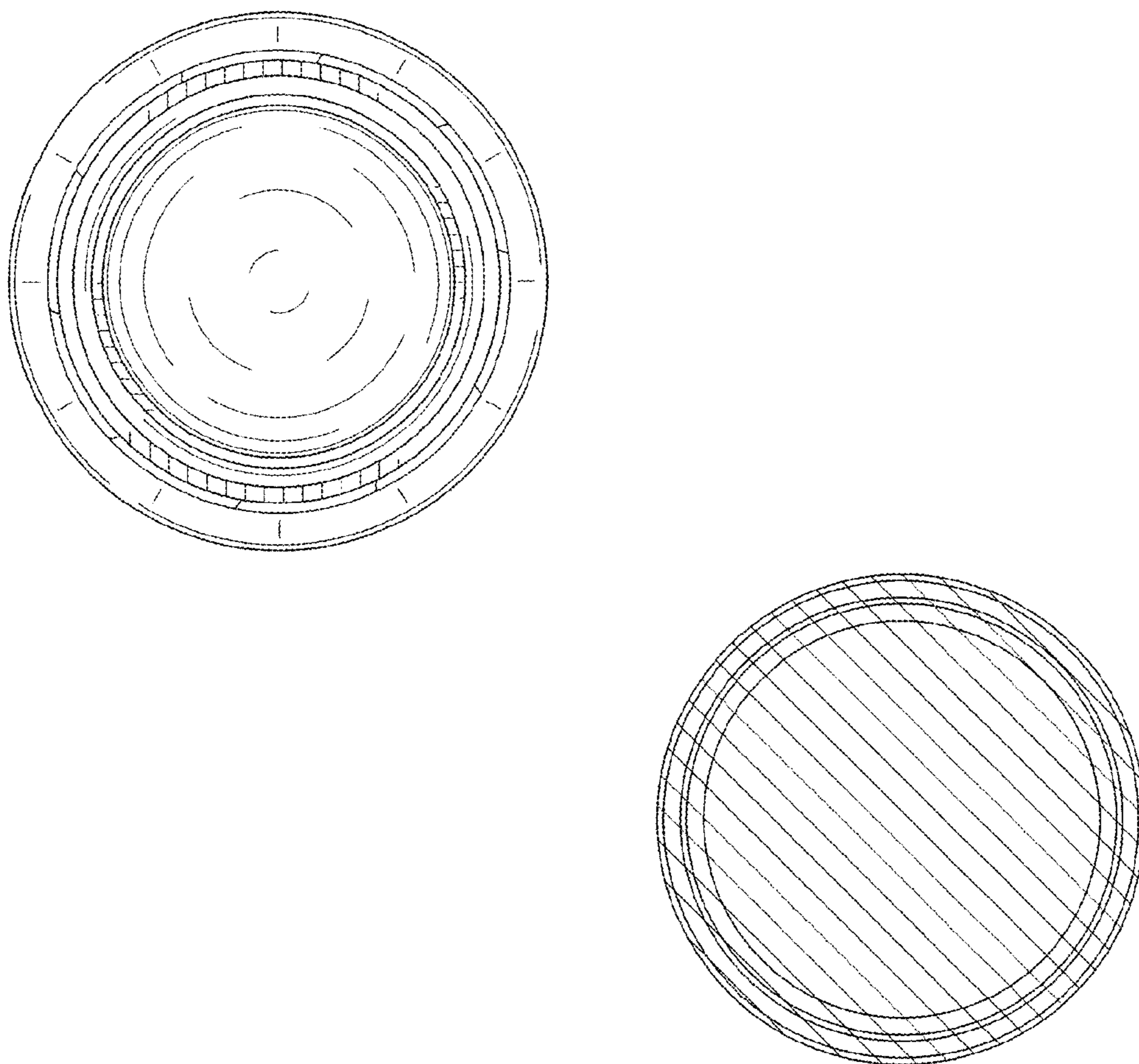


FIG. 5

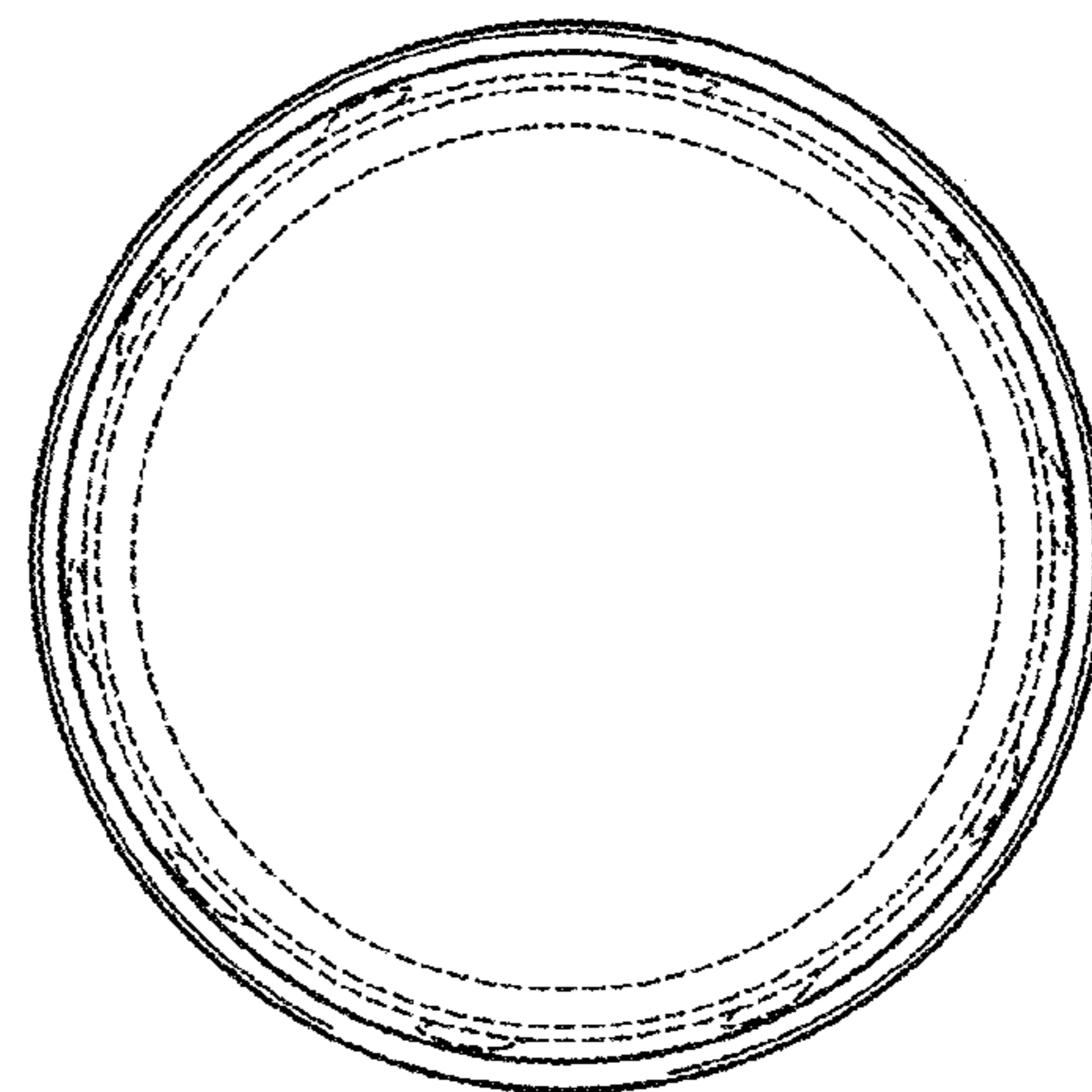
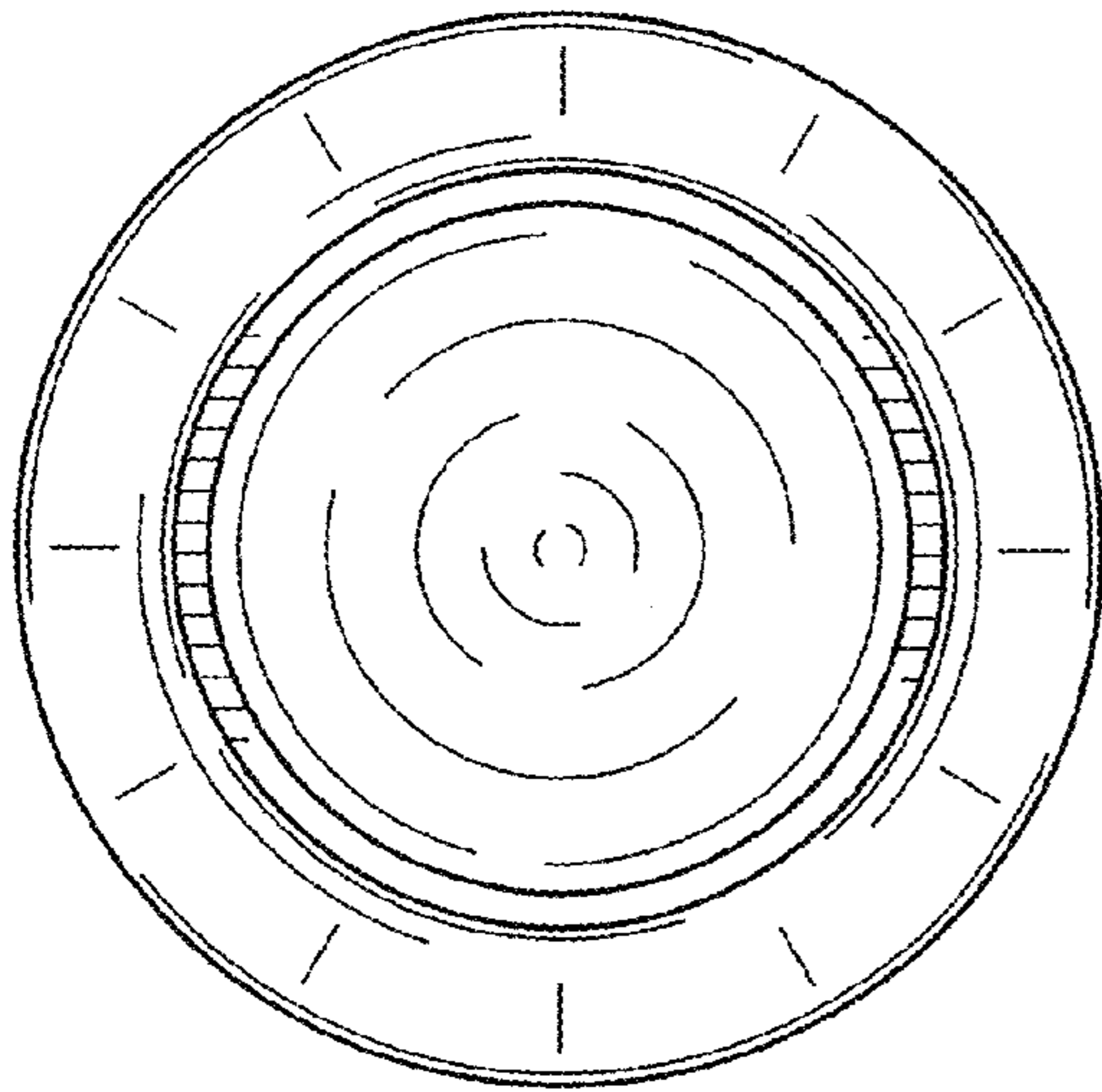


FIG. 6

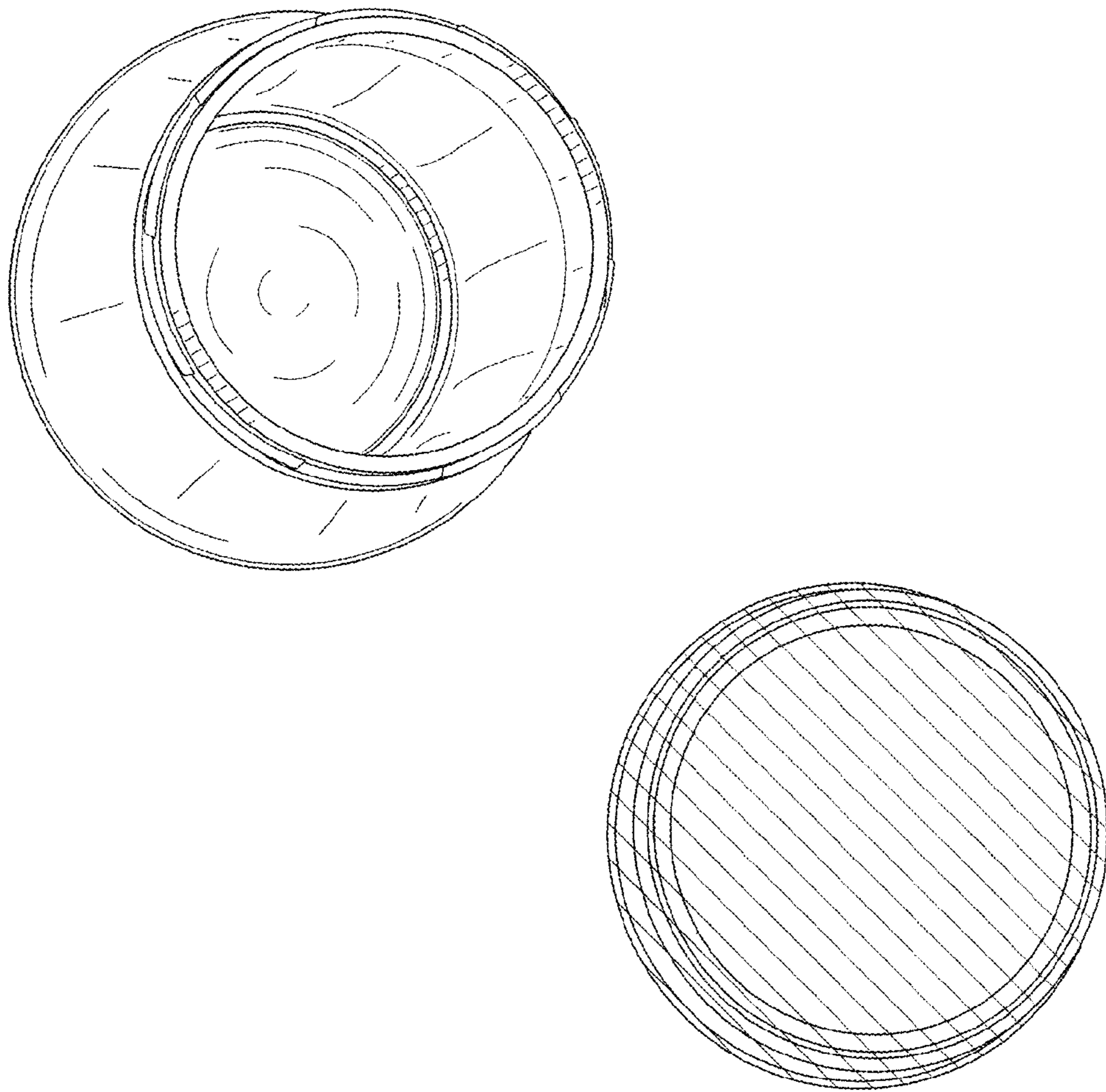


FIG. 7