



US00D756786S

(12) **United States Design Patent**
Bedoya

(10) **Patent No.:** **US D756,786 S**

(45) **Date of Patent:** **** May 24, 2016**

(54) **12 OUNCE BOTTLE AND CAP**

(71) Applicant: **Robert Bedoya**, Fort Lee, NJ (US)

(72) Inventor: **Robert Bedoya**, Fort Lee, NJ (US)

(**) Term: **14 Years**

(21) Appl. No.: **29/500,188**

(22) Filed: **Aug. 22, 2014**

(51) **LOC (10) Cl.** **09-01**

(52) **U.S. Cl.**
USPC **D9/502**; D9/905

(58) **Field of Classification Search**
USPC D9/434, 435, 447, 450, 452, 453, 500,
D9/502, 503, 516, 549, 557, 558, 682, 690,
D9/715, 719, 763, 772, 773, 775, 779, 780,
D9/905

CPC B65D 1/00; B65D 1/02; B65D 1/10;
B65D 1/0223; B65D 1/243; B65D 23/00;
B65D 81/00; B65D 2501/00; B65D 2501/0009
See application file for complete search history.

(56) **References Cited**

U.S. PATENT DOCUMENTS

D35,065 S *	9/1901	Lorenz	D9/779
D78,805 S *	6/1929	Burke	D9/453
D199,869 S *	12/1964	Trombley et al.	D9/557
D200,362 S *	2/1965	Nelson et al.	D9/503
D246,229 S *	11/1977	Saunders	220/906
D272,508 S *	2/1984	Conti	D7/615
D306,967 S *	4/1990	Matsuura	D9/502
D398,532 S *	9/1998	Crawford	D9/502

D404,306 S *	1/1999	Steinke	D9/502
D425,422 S *	5/2000	David	D9/438
D445,690 S *	7/2001	Ekkert	D9/504
D451,026 S *	11/2001	Heisel	D9/502
D477,230 S *	7/2003	Takaichi	D9/502
D568,450 S *	5/2008	King, Jr.	D23/261
D607,340 S *	1/2010	Klis	D9/452
D641,629 S *	7/2011	Miceli	D9/502
D697,408 S *	1/2014	Eble	D9/502
2011/0056947 A1 *	3/2011	White	B65D 1/10 220/289

* cited by examiner

Primary Examiner — Dana L Meyrow

Assistant Examiner — Keith Frank

(74) *Attorney, Agent, or Firm* — Gearhart Law LLC

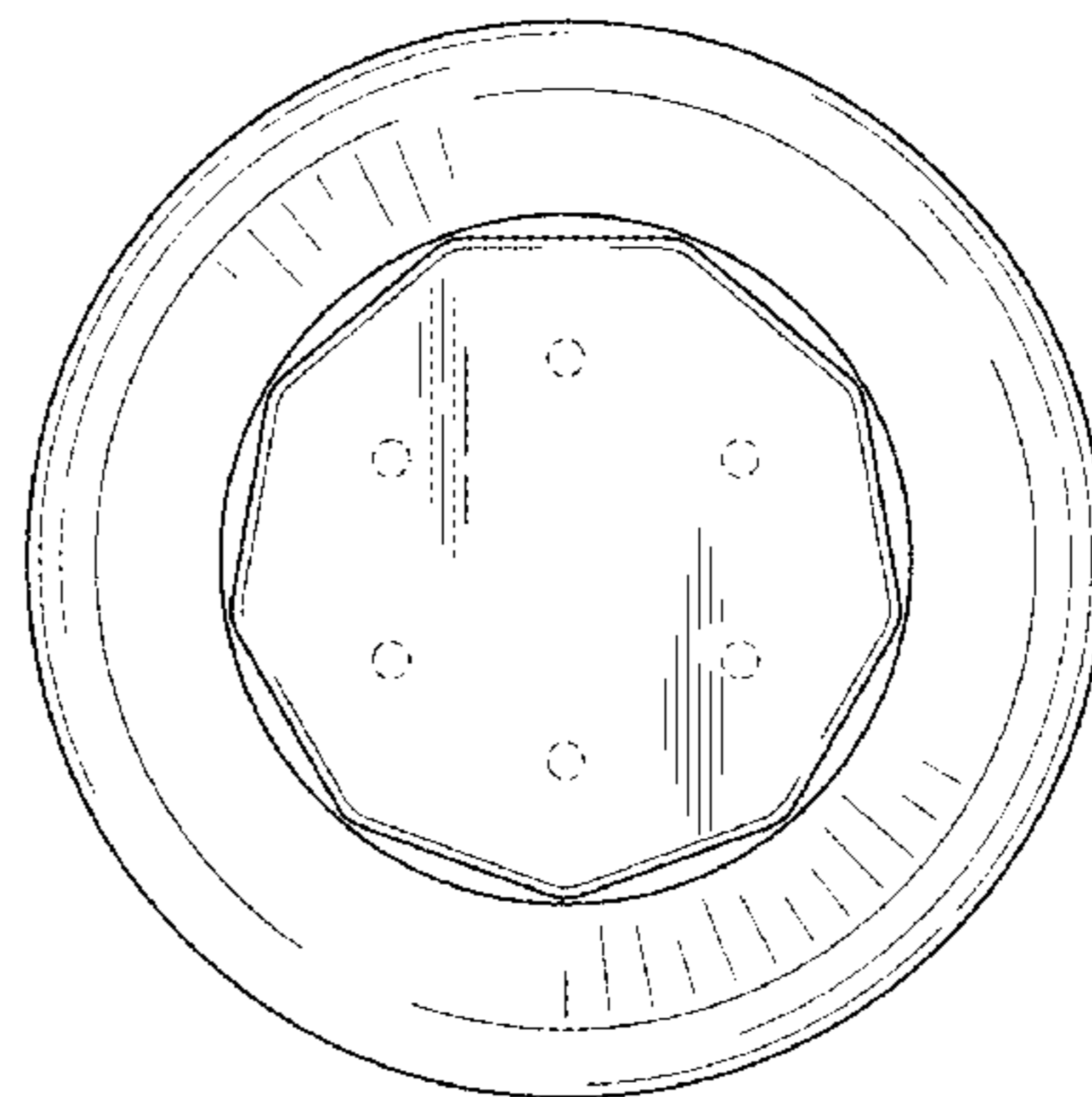
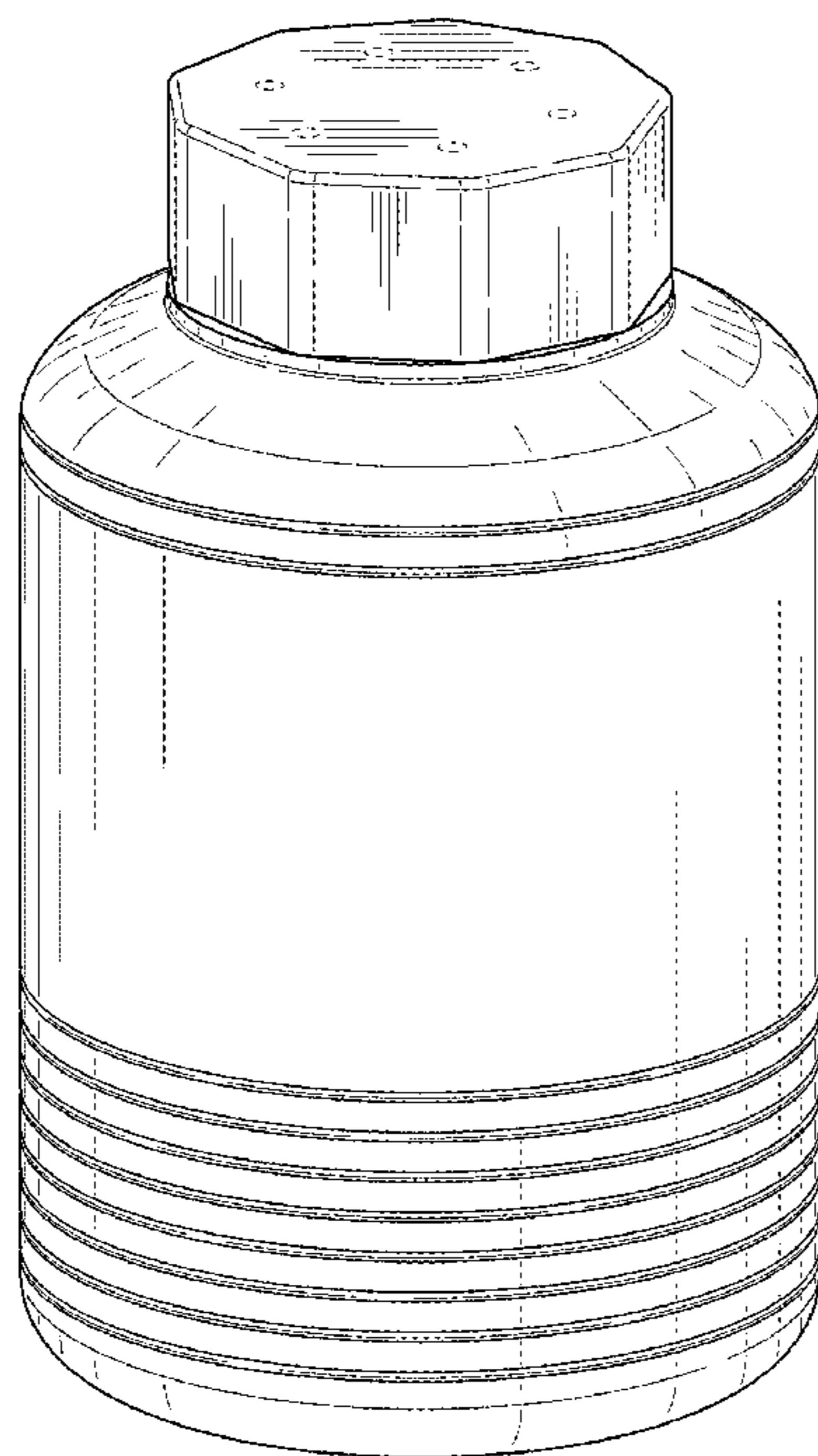
(57) **CLAIM**

I claim the ornamental design for a 12 ounce bottle and cap, as shown and described.

DESCRIPTION

FIG. 1 is a perspective view of the 12 ounce bottle and cap.
 FIG. 2 is a front view of the 12 ounce bottle and cap.
 FIG. 3 is a back view thereof.
 FIG. 4 is a right side view thereof.
 FIG. 5 is a left side view thereof.
 FIG. 6 is a top view of thereof.
 FIG. 7 is a bottom view thereof; and,
 FIG. 8 is an exploded perspective view of the 12 ounce bottle and cap.
 The broken lines in the drawings showing the 12 oz. bottle and cap illustrate the portions of the 12 oz. bottle and cap that form no part of the claim.

1 Claim, 5 Drawing Sheets



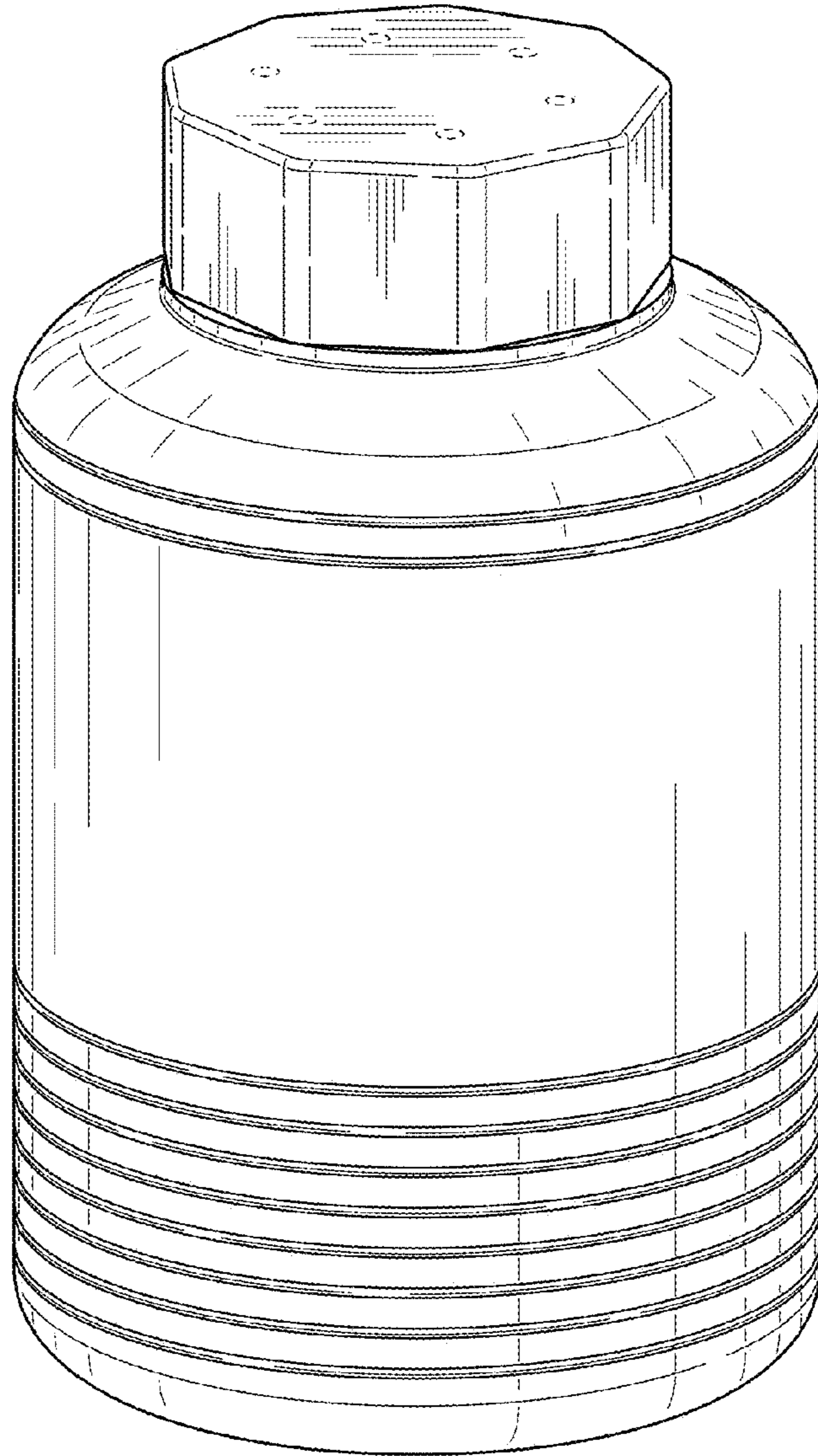


FIG. 1

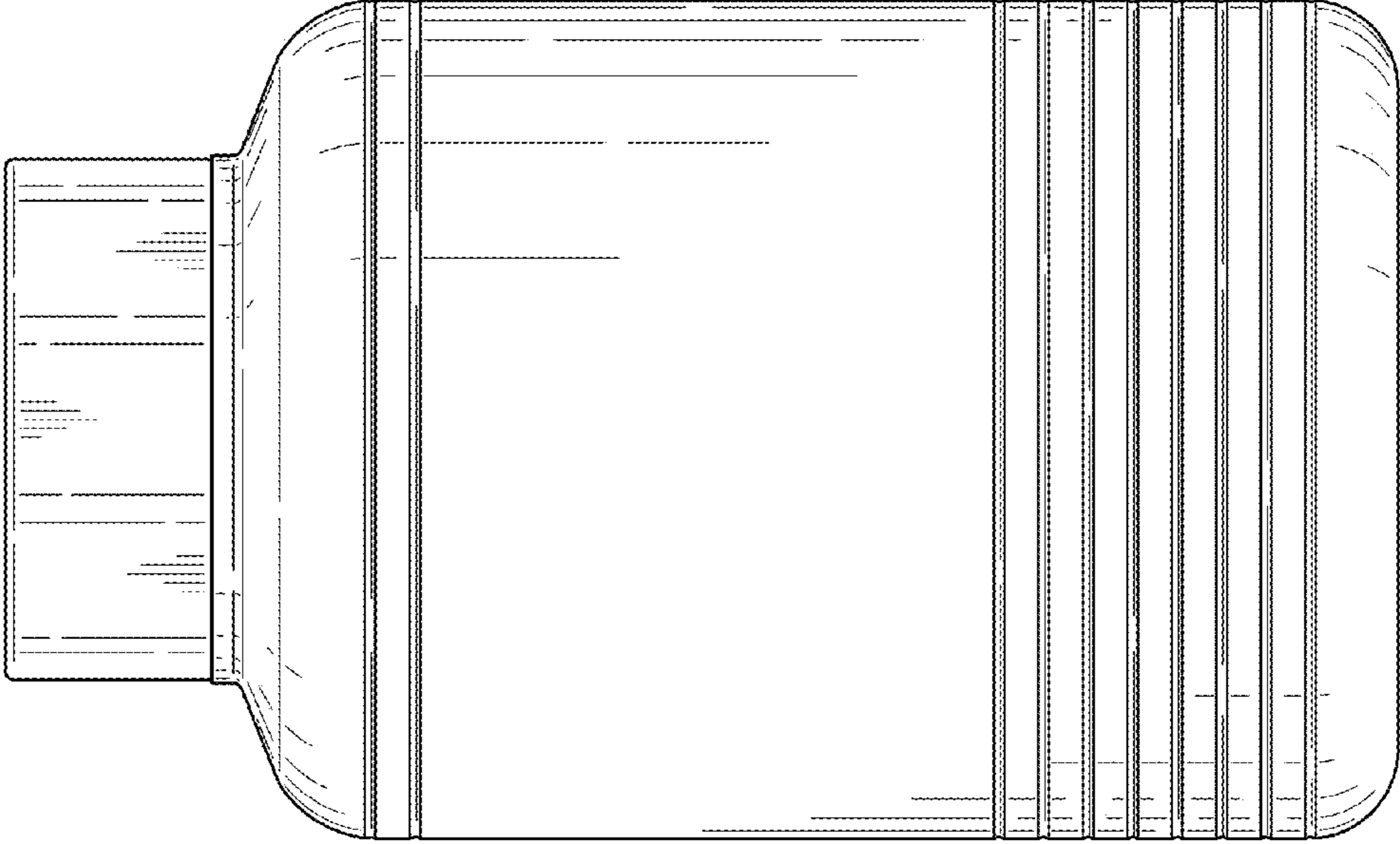


FIG. 3

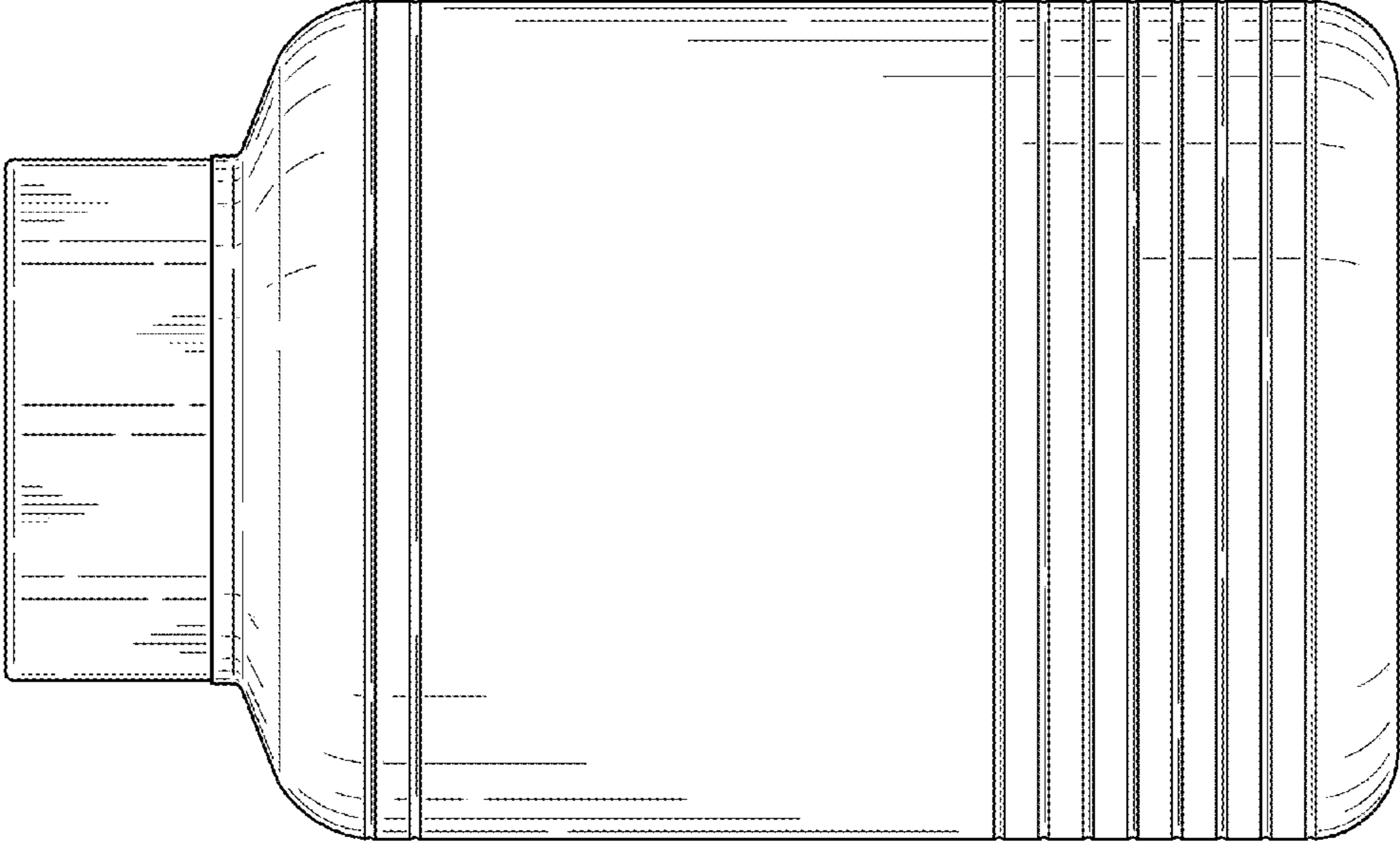


FIG. 2

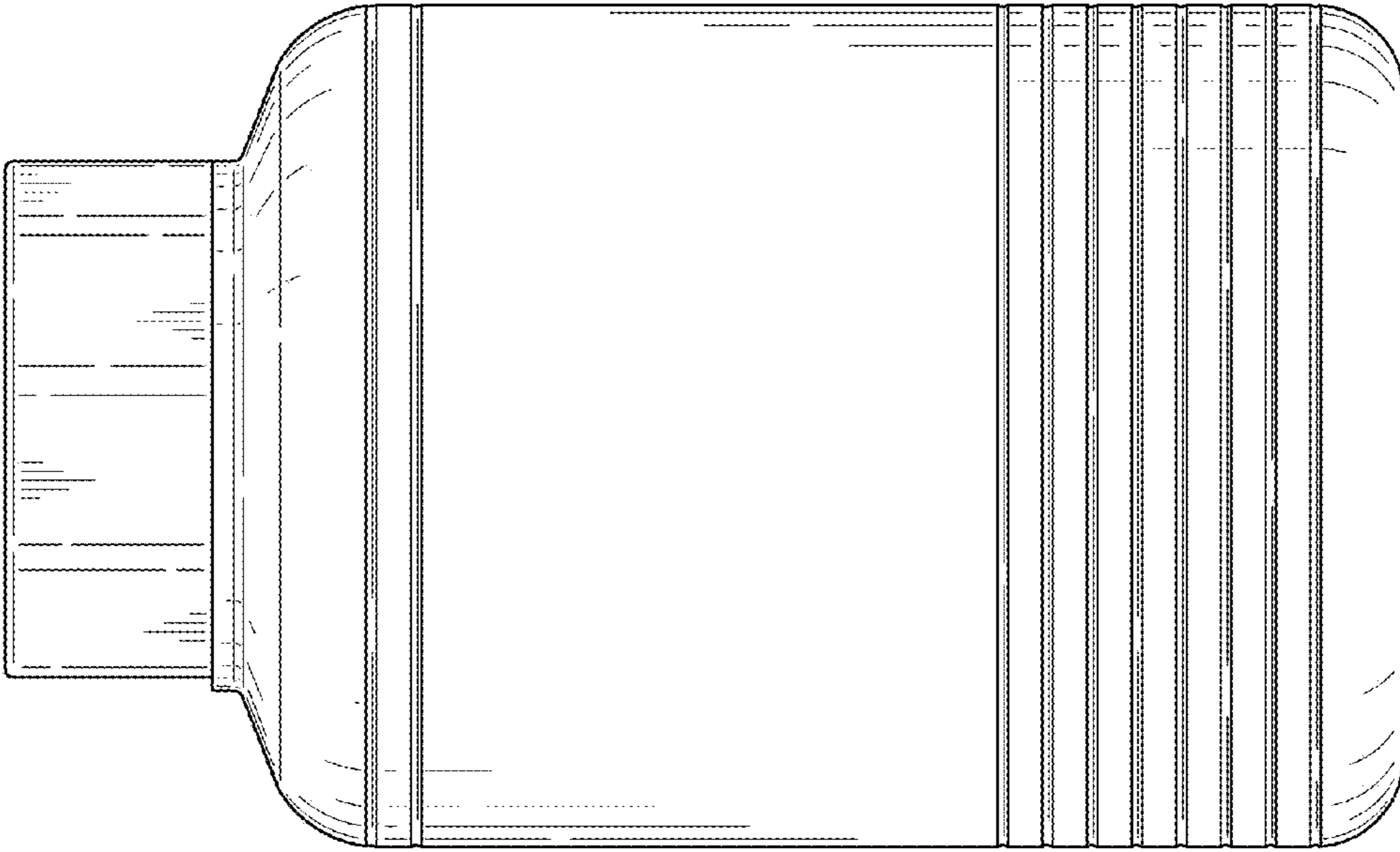


FIG. 5

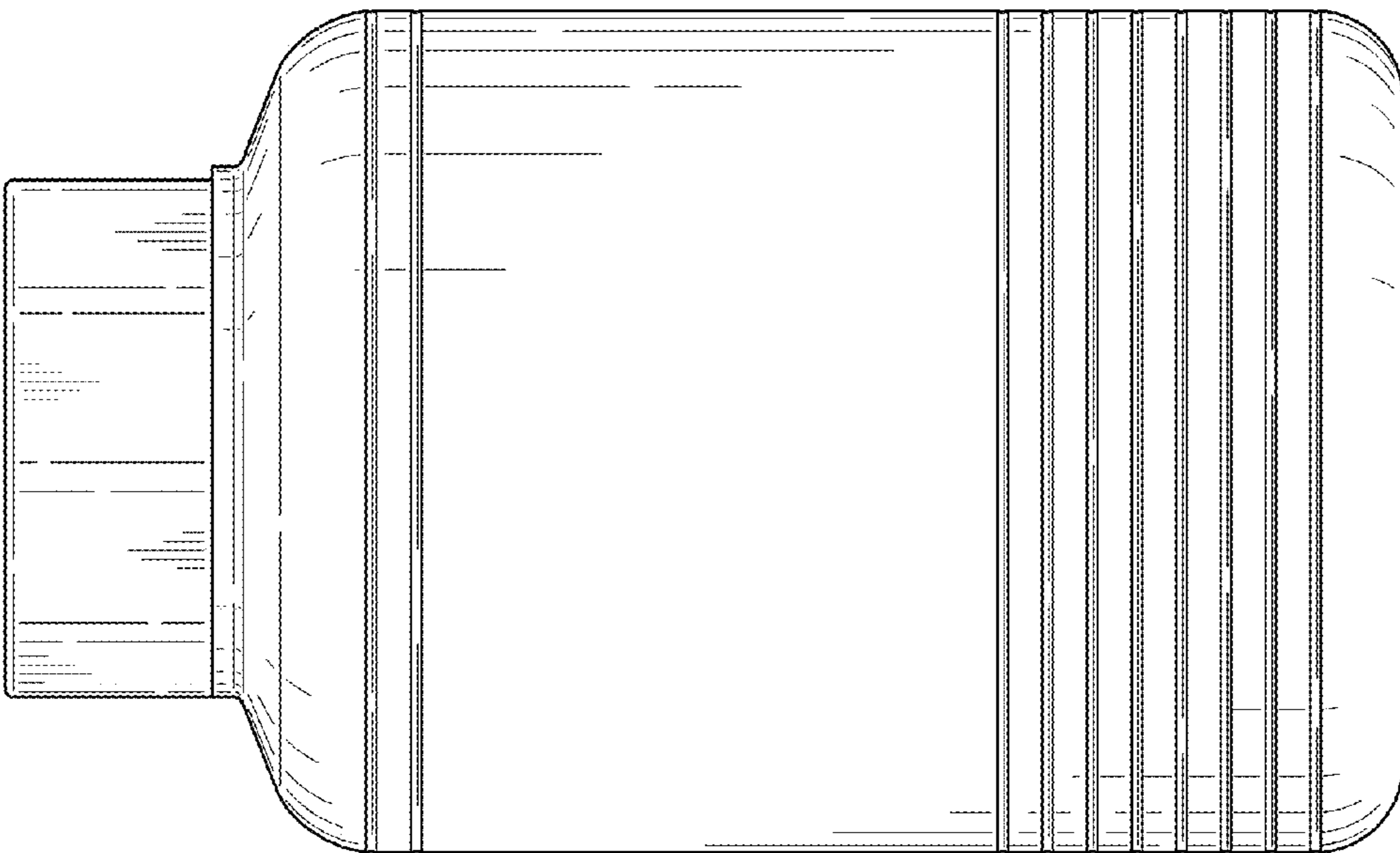


FIG. 4

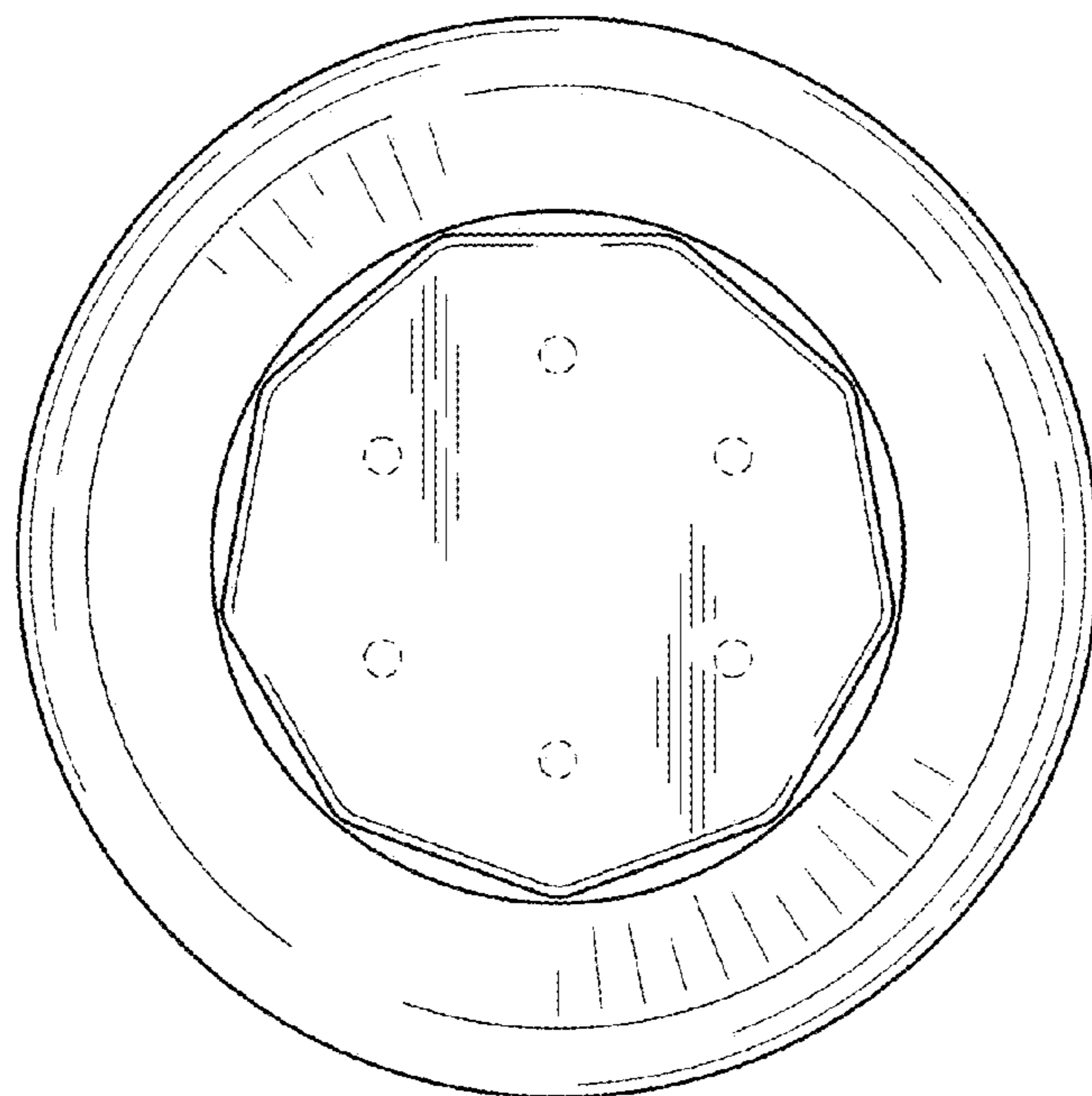


FIG. 6

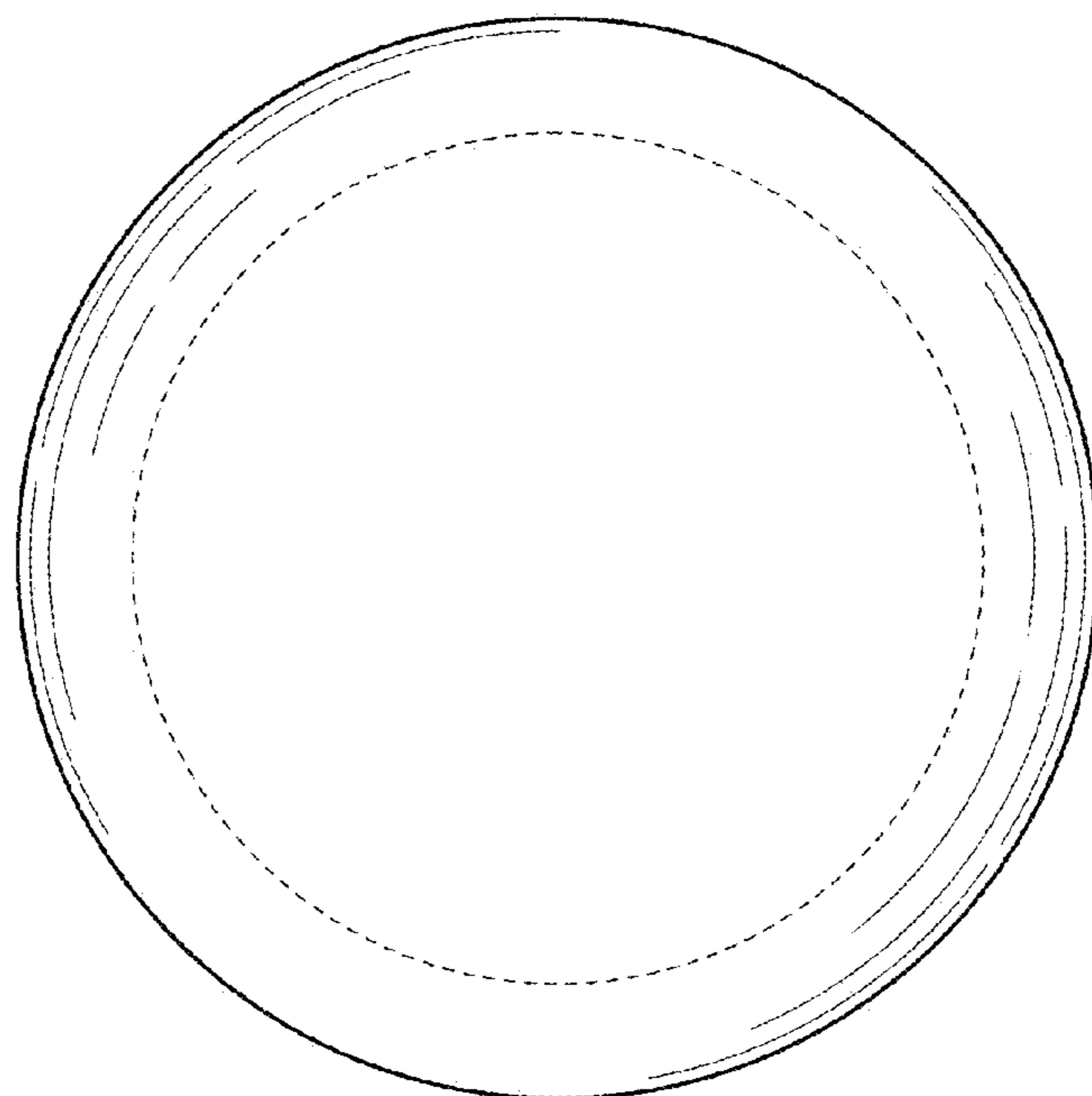


FIG. 7

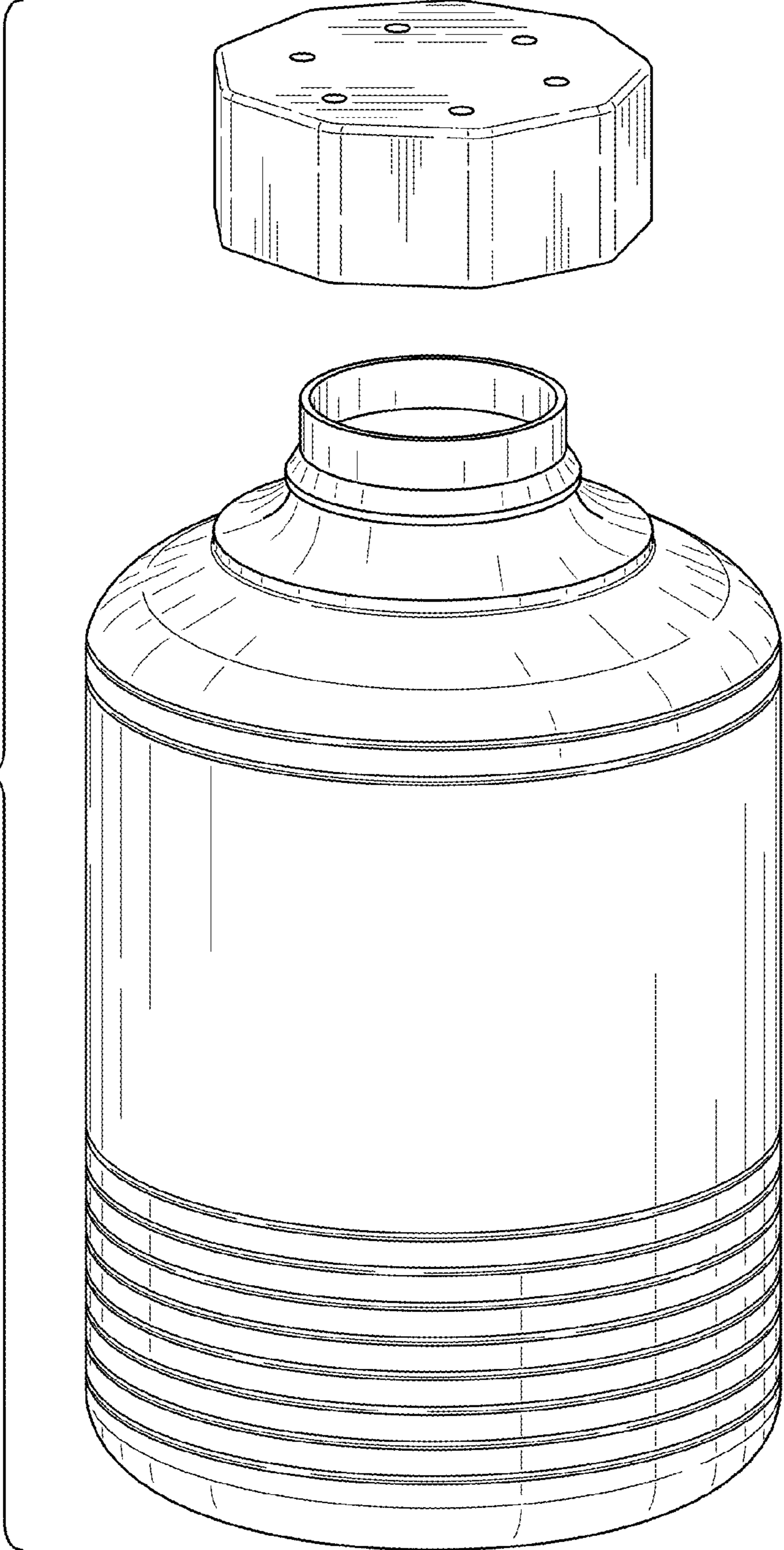


FIG. 8