



US00D756785S

(12) **United States Design Patent**
Bartoli et al.

(10) **Patent No.:** **US D756,785 S**

(45) **Date of Patent:** **** May 24, 2016**

(54) **CAPSULE**

(71) Applicant: **Sarong Societa' per Azioni**, Reggiolo (IT)

(72) Inventors: **Andrea Bartoli**, Reggio Emilia (IT);
Davide Capitini, Reggio Emilia (IT);
Alessandro Grillenzoni, Campogalliano (IT)

(73) Assignee: **Sarong Societa' per Azioni** (IT)

(**) Term: **14 Years**

(21) Appl. No.: **29/478,895**

(22) Filed: **Jan. 9, 2014**

(30) **Foreign Application Priority Data**

Jul. 10, 2013 (EM) 002272146

(51) **LOC (10) Cl.** **09-01**

(52) **U.S. Cl.**
USPC **D9/502**

(58) **Field of Classification Search**
USPC D9/414, 416, 418, 424-425, 427-428,
D9/500, 502-505, 518, 520, 548-549, 558,
D9/715-716, 719; D7/601-603, 612, 615,
D7/629-630, 400; D11/152
CPC B65D 1/00; B65D 1/26; B65D 1/265;
B65D 23/00; B65D 81/00; B65D 85/804;
B65D 85/8043; B65D 85/8046; B65D
2501/00; B65D 2501/0009
See application file for complete search history.

(56) **References Cited**

U.S. PATENT DOCUMENTS

D103,823 S * 3/1937 Lowenstein D9/502
2,828,789 A * 4/1958 Geisler et al. 220/783
D188,614 S * 8/1960 Niclaus D7/532
D198,139 S * 5/1964 Edwards 215/382

D213,428 S * 3/1969 Batdorf D9/429
D241,228 S * 8/1976 Boduch D9/428
D271,169 S * 11/1983 Hollenbeck D7/538
D280,705 S * 9/1985 Franek et al. D9/773
D280,706 S * 9/1985 Franek et al. D9/773
D284,551 S * 7/1986 Franek et al. D9/773
5,232,027 A * 8/1993 Tanaka B65B 3/12
141/114
D452,433 S * 12/2001 Lazaris D9/429
D467,800 S * 12/2002 Chen et al. D9/429
D474,110 S * 5/2003 Sweeney D9/428
D474,111 S * 5/2003 Lazaris D9/428
D513,152 S * 12/2005 Cahen D7/400
D539,643 S * 4/2007 Abel D9/424
D606,363 S * 12/2009 Aardenburg D7/400
D621,698 S * 8/2010 Cometto D9/424
D652,266 S * 1/2012 Smyers D7/630
D656,009 S * 3/2012 Ortiz et al. D9/428
D658,493 S * 5/2012 Cometto D9/424
D671,831 S * 12/2012 Moreau D9/428
D686,916 S * 7/2013 O'Brien D9/429
D687,297 S * 8/2013 O'Brien et al. D9/429
D694,620 S * 12/2013 Hansen D9/429

(Continued)

Primary Examiner — Dana L Meyrow

(74) *Attorney, Agent, or Firm* — Laubscher, Spendlove & Laubscher, P.C

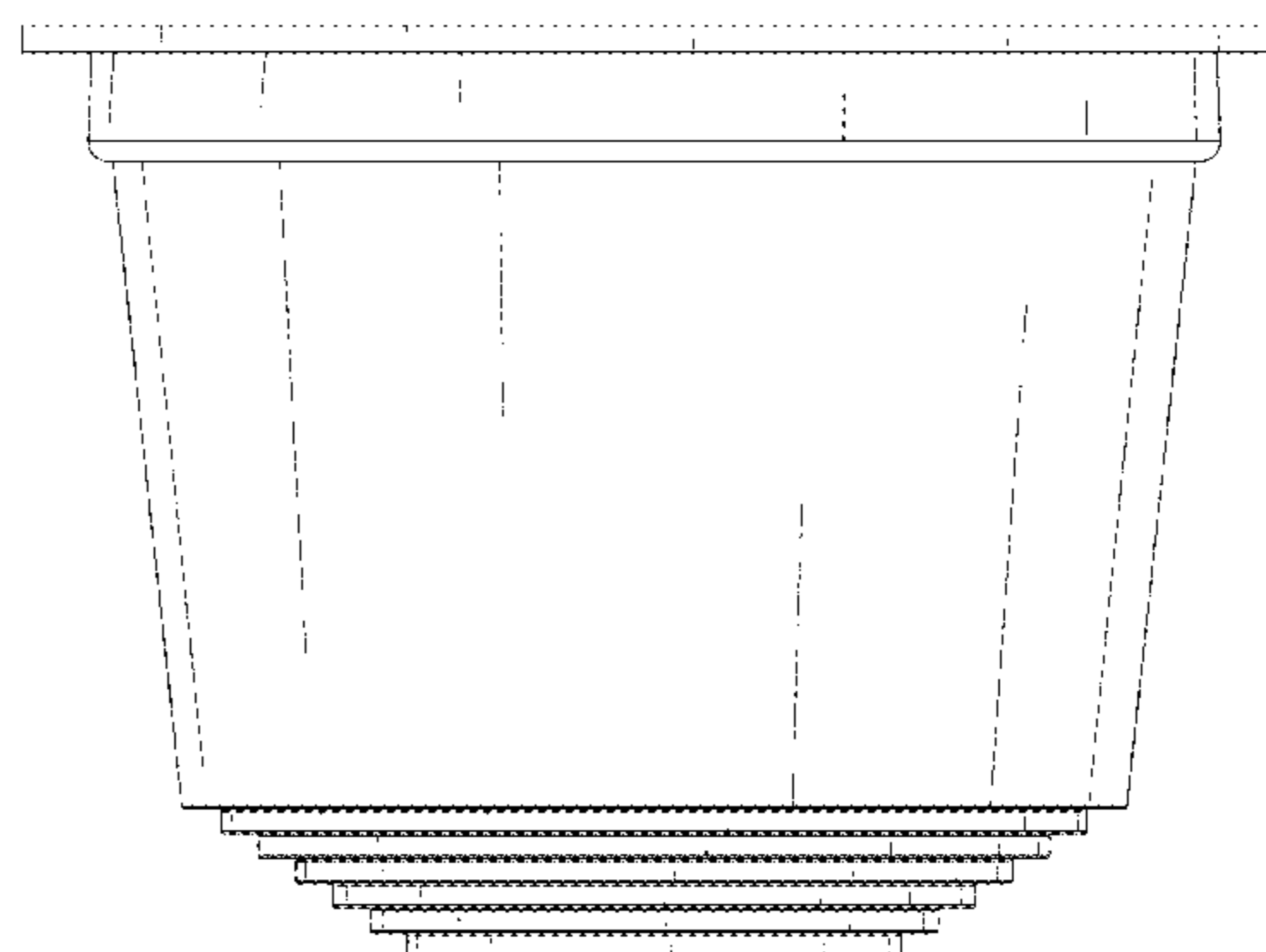
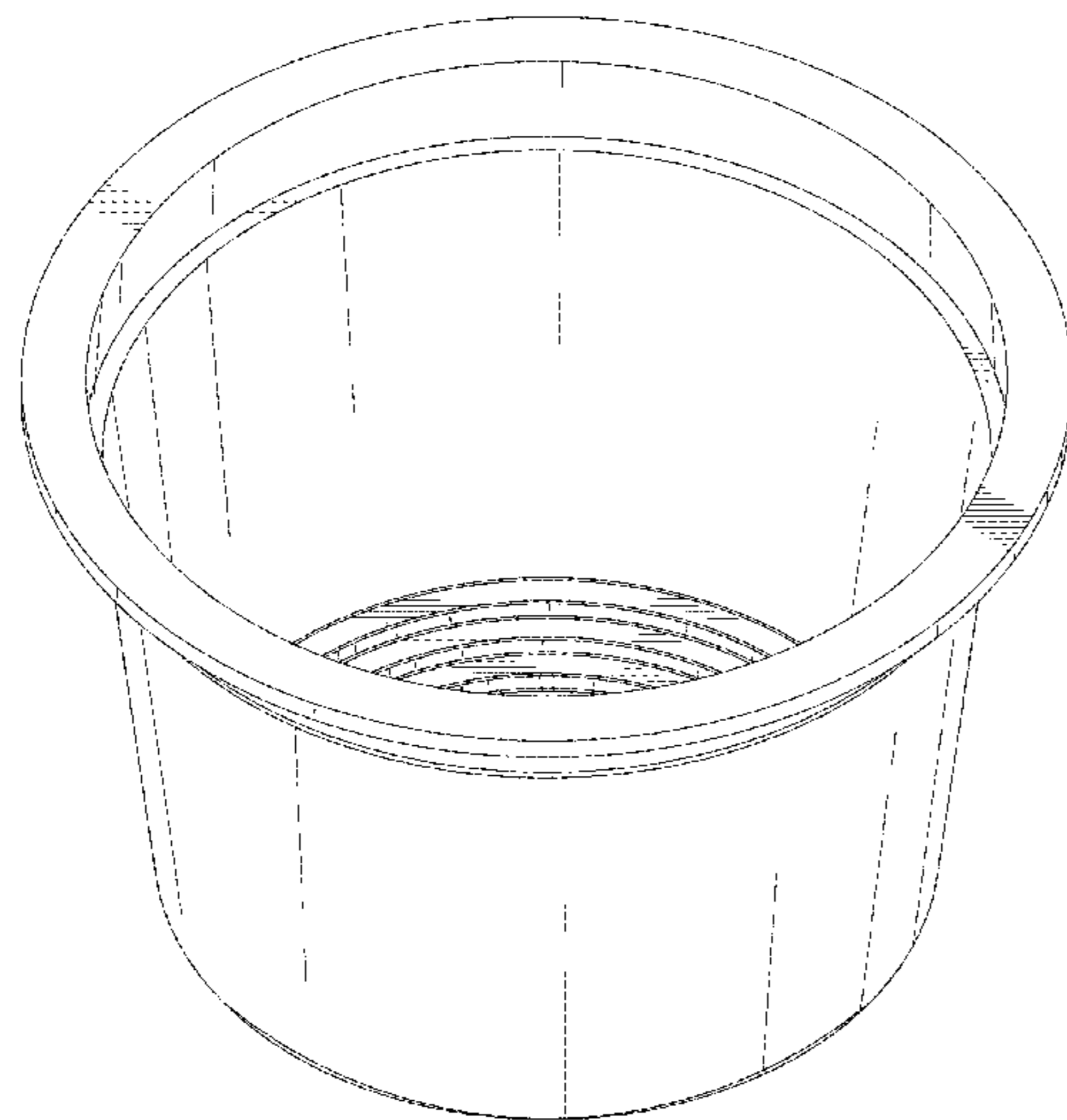
(57) **CLAIM**

The ornamental design for a capsule, as described and shown.

DESCRIPTION

FIG. 1 is a top perspective view of a capsule showing our new design;
FIG. 2 is a front elevation view thereof;
FIG. 3 is a top plan view thereof;
FIG. 4 is a top perspective view of a second embodiment of a capsule showing our new design;
FIG. 5 is a front elevation view thereof; and,
FIG. 6 is a top plan view thereof.
The evenly-dashed broken lines in the drawings illustrate the portions of the capsule that form no part of the claim.

1 Claim, 6 Drawing Sheets



(56)

References Cited

U.S. PATENT DOCUMENTS

D695,111 S *	12/2013	Hansen et al.	D9/429	D733,553 S *	7/2015	Henderson	D9/416
D698,649 S *	2/2014	Quint	D9/500	2009/0200301 A1 *	8/2009	Beekman et al.	220/4.27
D700,839 S *	3/2014	O'Brien et al.	D9/429	2010/0064899 A1 *	3/2010	Aardenburg	99/295
D703,039 S *	4/2014	Hansen	D9/429	2010/0288131 A1 *	11/2010	Kilber et al.	99/295
8,808,778 B2 *	8/2014	Dakis	426/431	2011/0283890 A1 *	11/2011	Scrivani	99/295
D715,649 S *	10/2014	O'Brien	D9/500	2012/0171332 A1 *	7/2012	Lai et al.	426/78
D723,329 S *	3/2015	Dakis	D7/400	2014/0120217 A1 *	5/2014	O'Brien et al.	426/115
D730,174 S *	5/2015	O'Brien	D9/429	2014/0120218 A1 *	5/2014	O'Brien et al.	426/115
				2014/0308406 A1 *	10/2014	O'Brien et al.	426/115
				2014/0352127 A1 *	12/2014	Dakis	A47J 31/4407 29/428

* cited by examiner

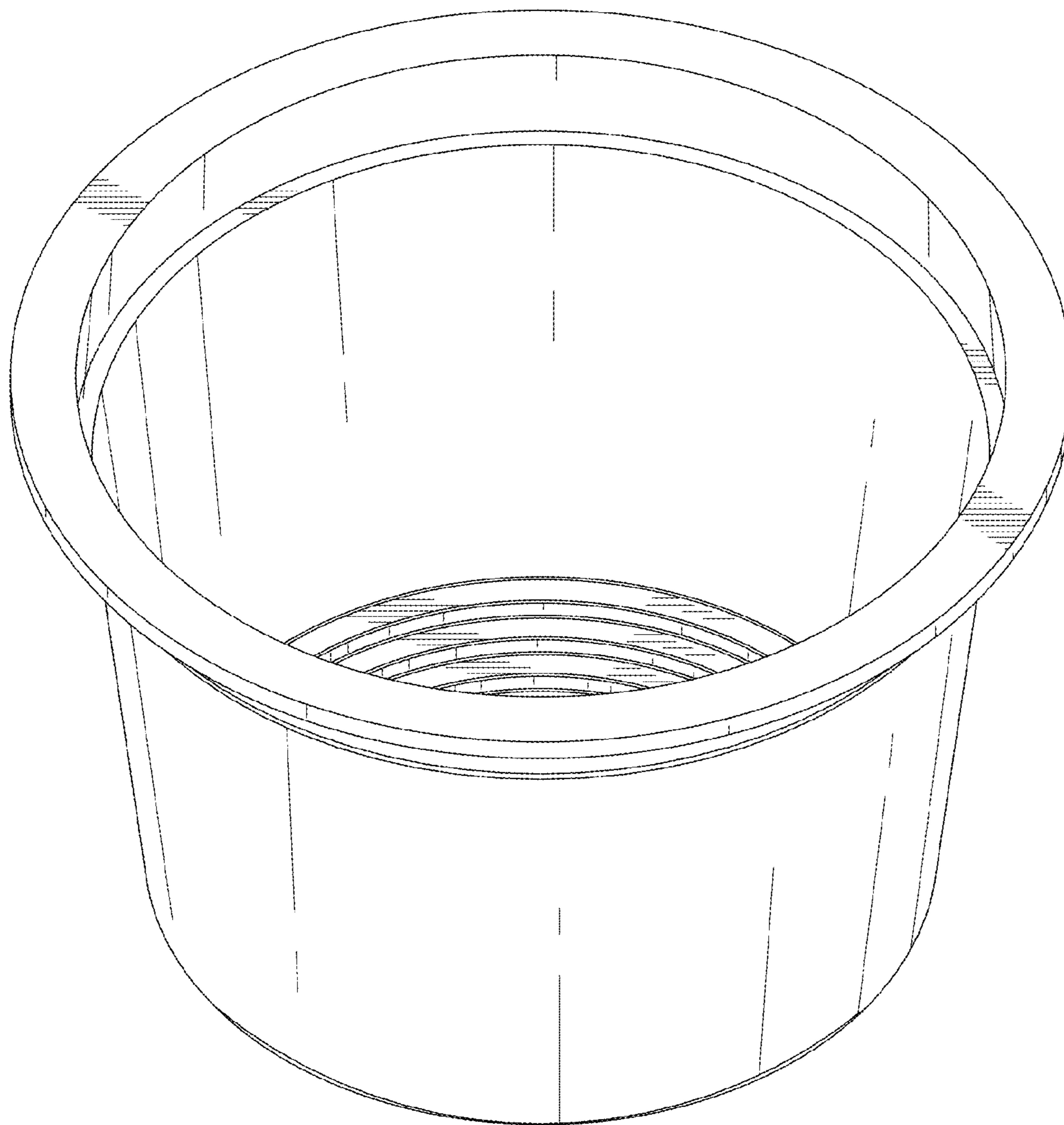


FIG. 1

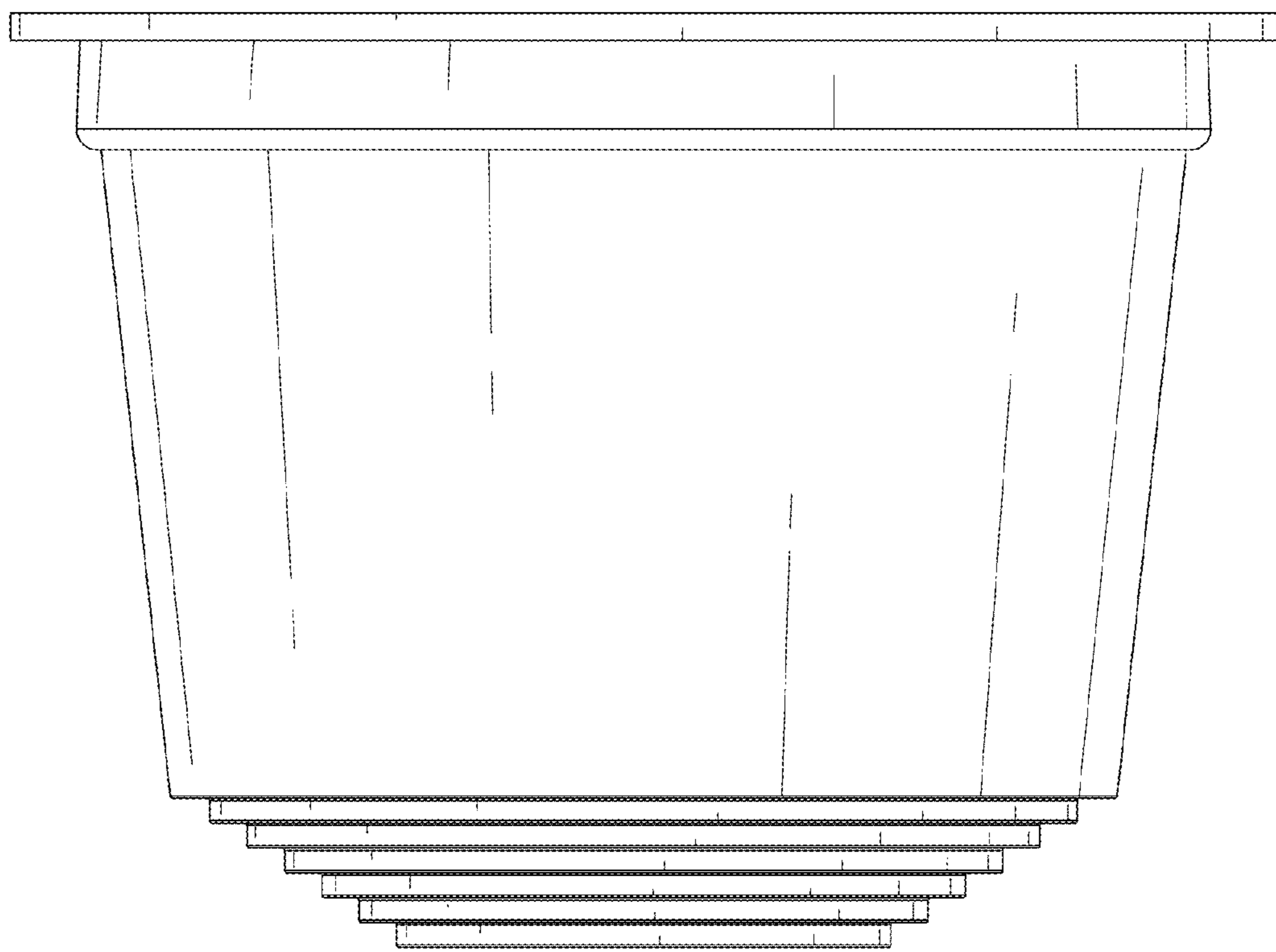


FIG. 2

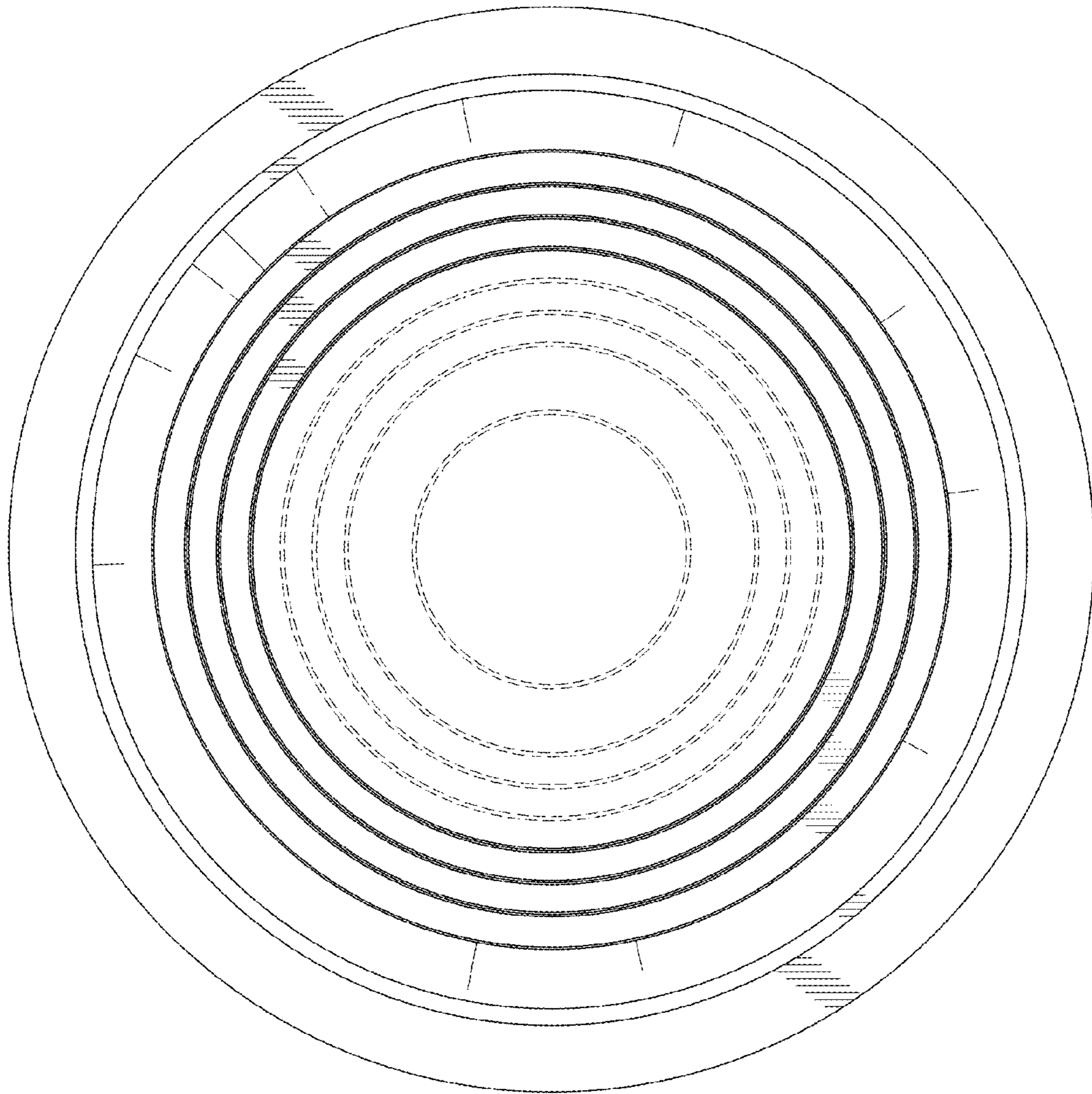


FIG. 3

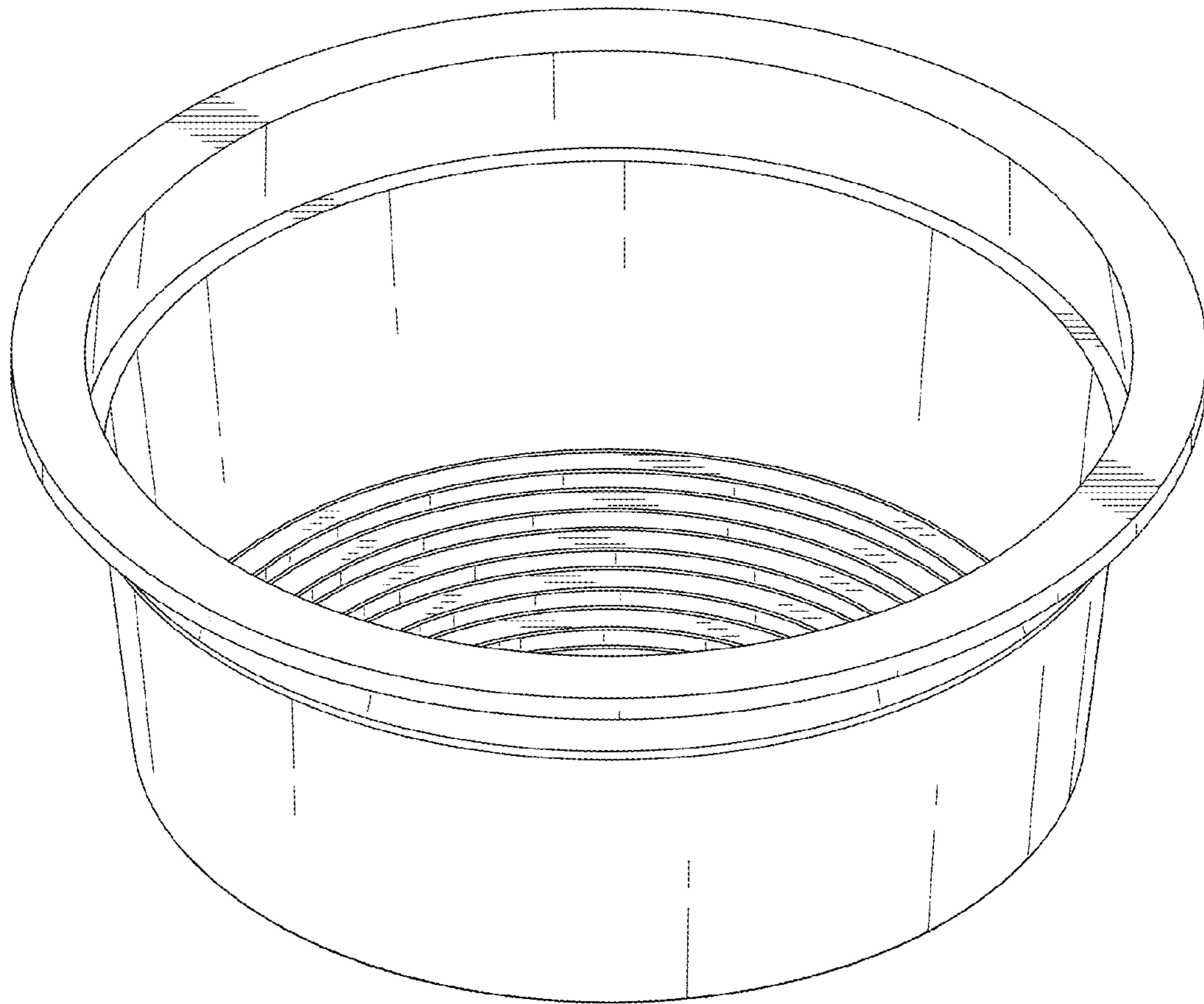


FIG. 4

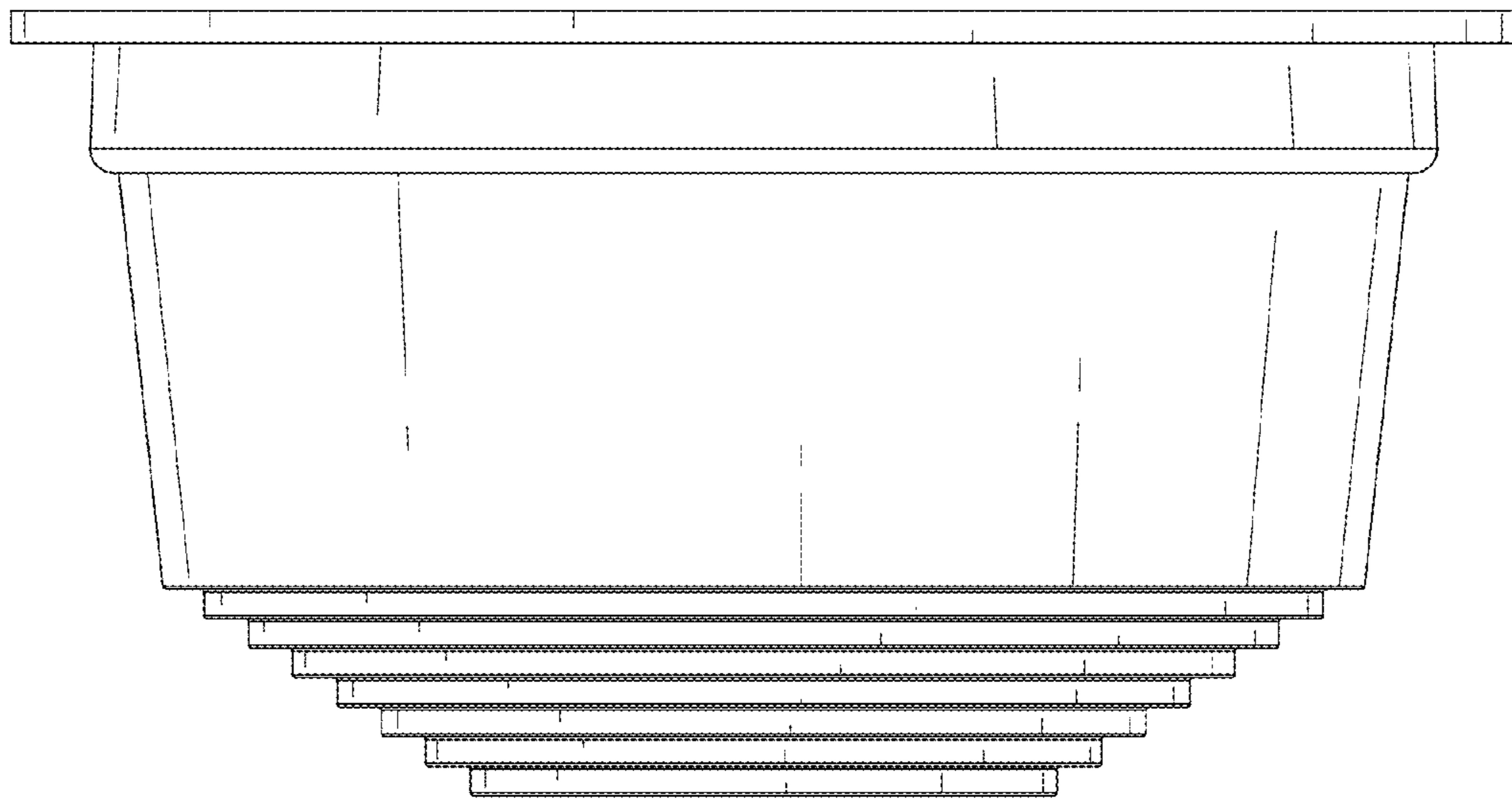


FIG. 5

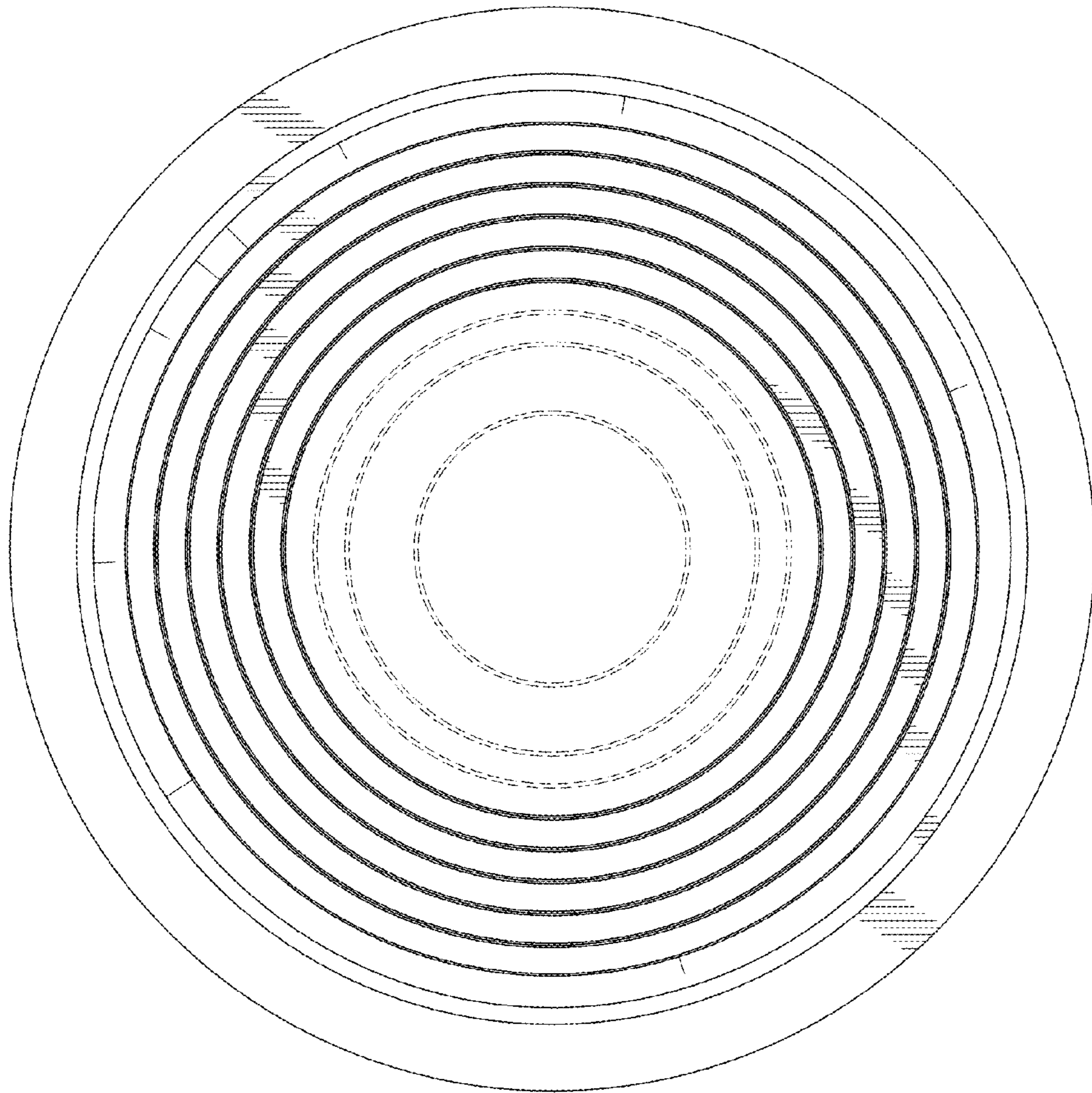


FIG. 6