



US00D756779S

(12) **United States Design Patent**
Kang et al.

(10) **Patent No.:** **US D756,779 S**
(45) **Date of Patent:** **** May 24, 2016**

(54) **BOTTLE CAP**

(71) Applicants: **Olivia J Kang**, La Habra, CA (US);
Alex Kim, La Habra, CA (US)

(72) Inventors: **Olivia J Kang**, La Habra, CA (US);
Alex Kim, La Habra, CA (US)

(**) Term: **14 Years**

(21) Appl. No.: **29/523,565**

(22) Filed: **Apr. 10, 2015**

(51) **LOC (10) Cl.** **09-07**

(52) **U.S. Cl.**

USPC **D9/454**

(58) **Field of Classification Search**

USPC D3/202, 203.1, 203.2, 273, 275, 294,
D3/318; D4/116; D7/300, 300.1, 316, 317,
D7/387, 391, 392.1, 393, 396.2, 398, 509,
D7/510, 511, 523-531, 538, 541, 549, 629,
D7/703, 900; D9/434, 435, 436, 438, 439,
D9/440, 443, 446-450, 452, 453, 454, 502,
D9/503, 504, 516, 517, 529; D10/123,
D10/126; D8/349, 350, 352; D19/70, 71,
D19/115, 162, 163, 165, 192, 194;
D24/121, 127, 197, 224; D26/36, 123,
D26/124; D28/7, 76, 78, 82, 85, 91; D34/7,
D34/10, 11, 39; 206/503, 504, 534, 459.1,
206/509, 549, 501, 545; 215/201, 205, 206,
215/209, 211, 216, 217, 218, 222, 228, 230,
215/232, 236, 252, 270, 295, 341, 344, 350,
215/381-385; 220/212.5, 236, 293, 294,
220/300, 324, 326, 253, 254.3, 288, 574,
220/575, 705, 709, 713, 714, 915; 222/212,
222/213, 215, 239.4, 259.3, 288, 490, 548,
222/793, 903; D13/118, 133, 154, 158,
D13/183, 703

CPC B65D 23/00; B65D 1/00; B65D 1/02;
B65D 1/0223; B65D 2501/00; B65D
2501/0009; B65D 50/041; A47G 18/22;
A47G 18/23

See application file for complete search history.

(56) **References Cited**

U.S. PATENT DOCUMENTS

D129,943 S *	10/1941	Petzold	D28/85
D450,888 S *	11/2001	Breidenbach	D28/76
D480,647 S *	10/2003	Crawford	D9/502
D593,874 S *	6/2009	Nichols	D9/504
D601,022 S *	9/2009	Zamberlan	D9/443
D649,880 S *	12/2011	Smith, III	D9/500
D698,089 S *	1/2014	Smith	D22/116
D703,053 S *	4/2014	Park	D9/503
D715,156 S *	10/2014	Park	D9/688

(Continued)

OTHER PUBLICATIONS

Acrylic Cap Packaging: Site Visited Feb. 4, 2016. Available from Internet URL: http://www.aliexpress.com/item/Acrylic-Cap-10-5OZ-30ML-Cosmetic-Glass-Bottles-Perfume-Atomizer-Glass-Packing-Bottle-Atomizer-Pump-Lotion/32395288947.html?spm=2114.40010708.4.87.Kmau9D.*

(Continued)

Primary Examiner — Thomas Johannes

Assistant Examiner — Catherine Posthauer

(74) *Attorney, Agent, or Firm* — Clement Cheng

(57) **CLAIM**

The ornamental design for a bottle cap, as shown and described.

DESCRIPTION

FIG. 1 is a front perspective view.

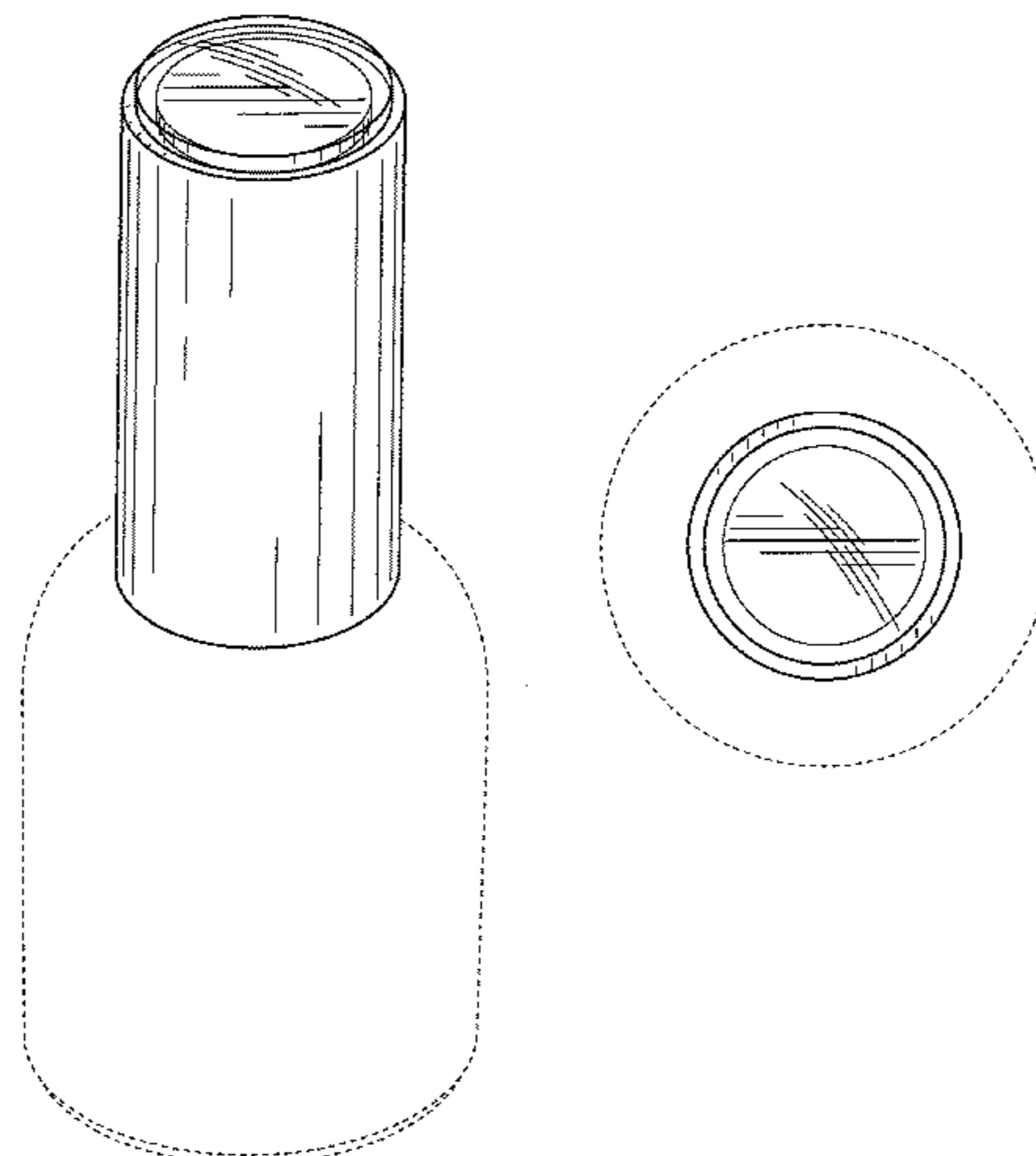
FIG. 2 is a front view.

FIG. 3 is a top view; and,

FIG. 4 is a bottom view.

The bottom of the bottle cap is unornamented. The broken lines shown represent environmental subject matter and form no part of the claimed design.

1 Claim, 2 Drawing Sheets



(56)

References Cited

U.S. PATENT DOCUMENTS

D730,189 S * 5/2015 Haile D4/116
D735,040 S * 7/2015 Dadon D9/522
D741,603 S * 10/2015 Mehta D4/116
2002/0039513 A1 * 4/2002 Pink A45D 34/045
401/129

OTHER PUBLICATIONS

Hard Candy Plumping Serum Lipstick: Anounced Apr. 5, 2015 [online], site visited Feb. 4, 2016. Available from Internet URL: <http://www.sheputshermakeup.com/2015/04/hard-candy-plumping-serum-lipstick-in.html>.*

* cited by examiner

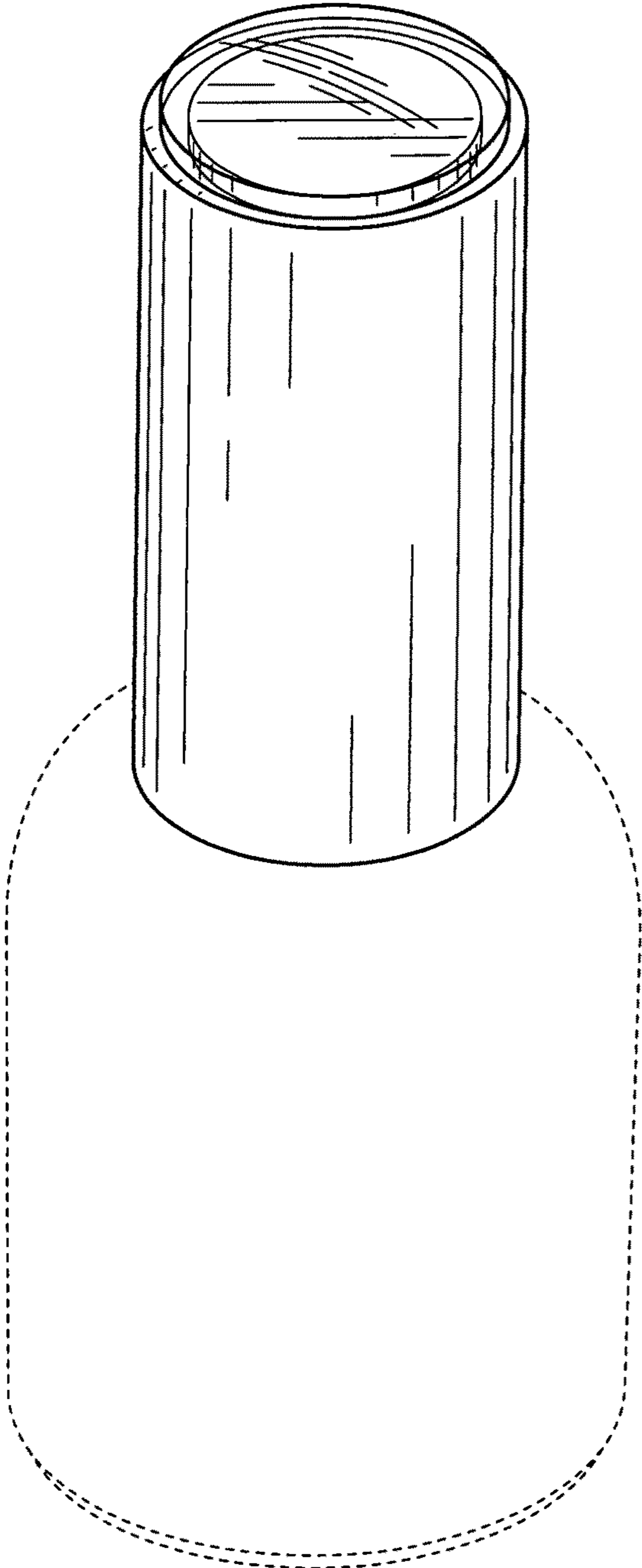


FIG. 1

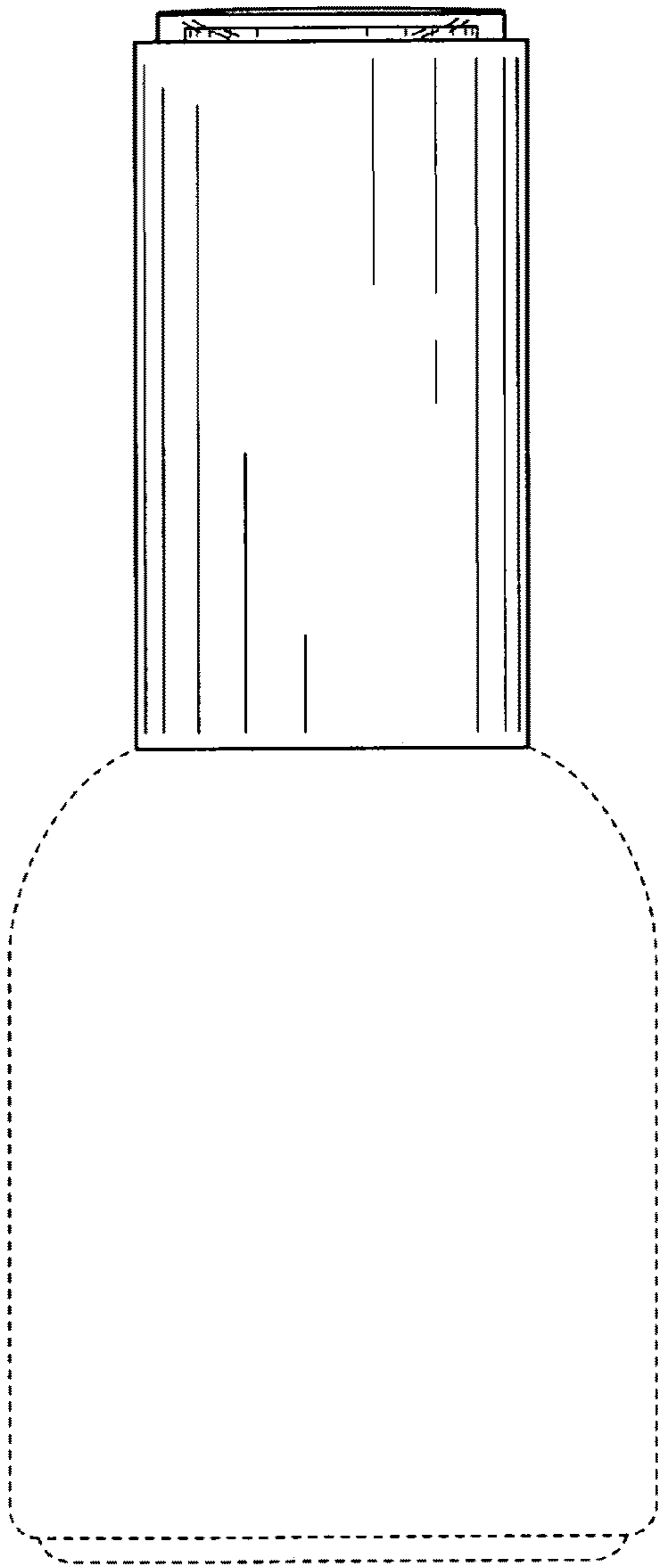


FIG. 2

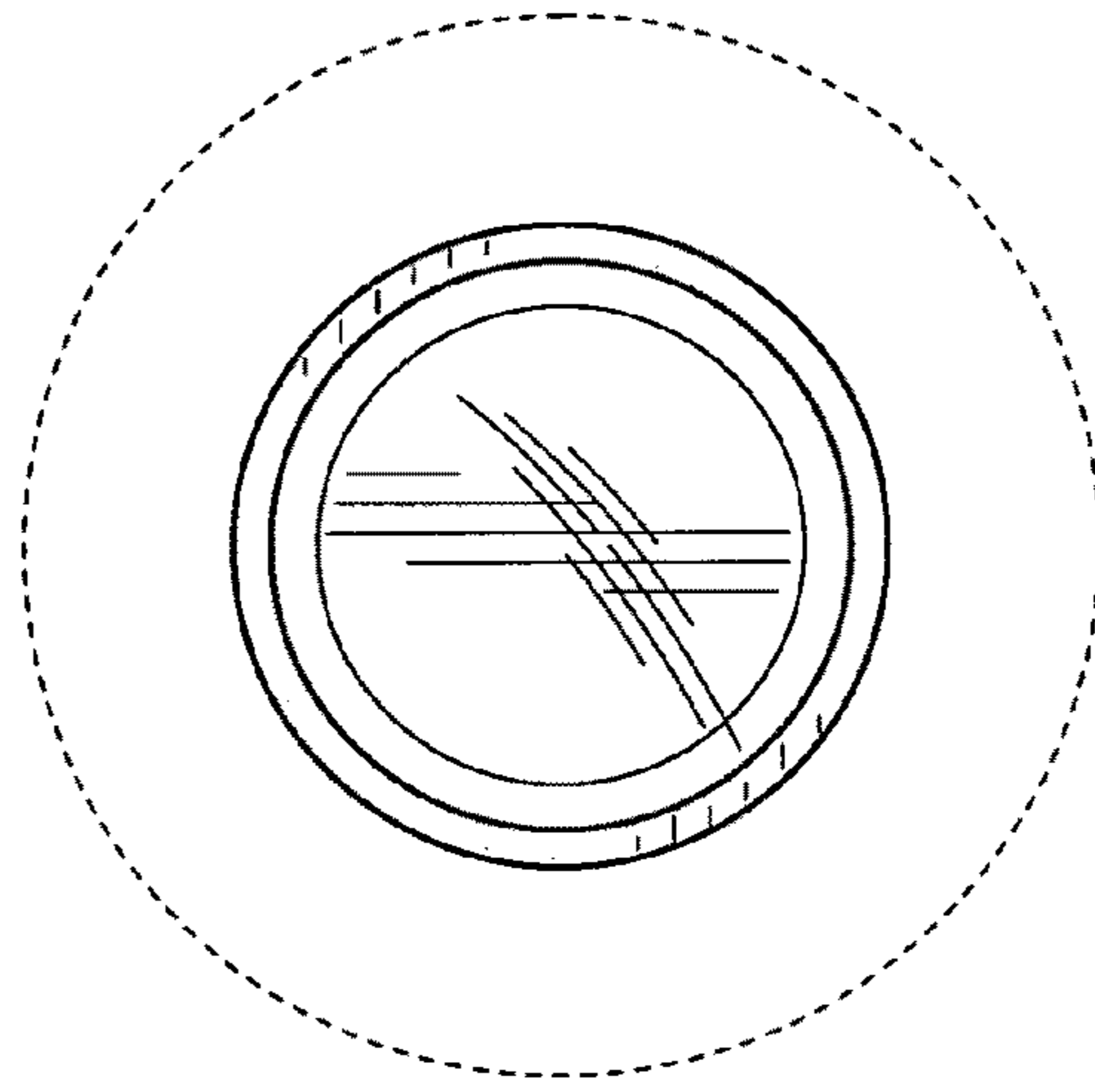


FIG. 3

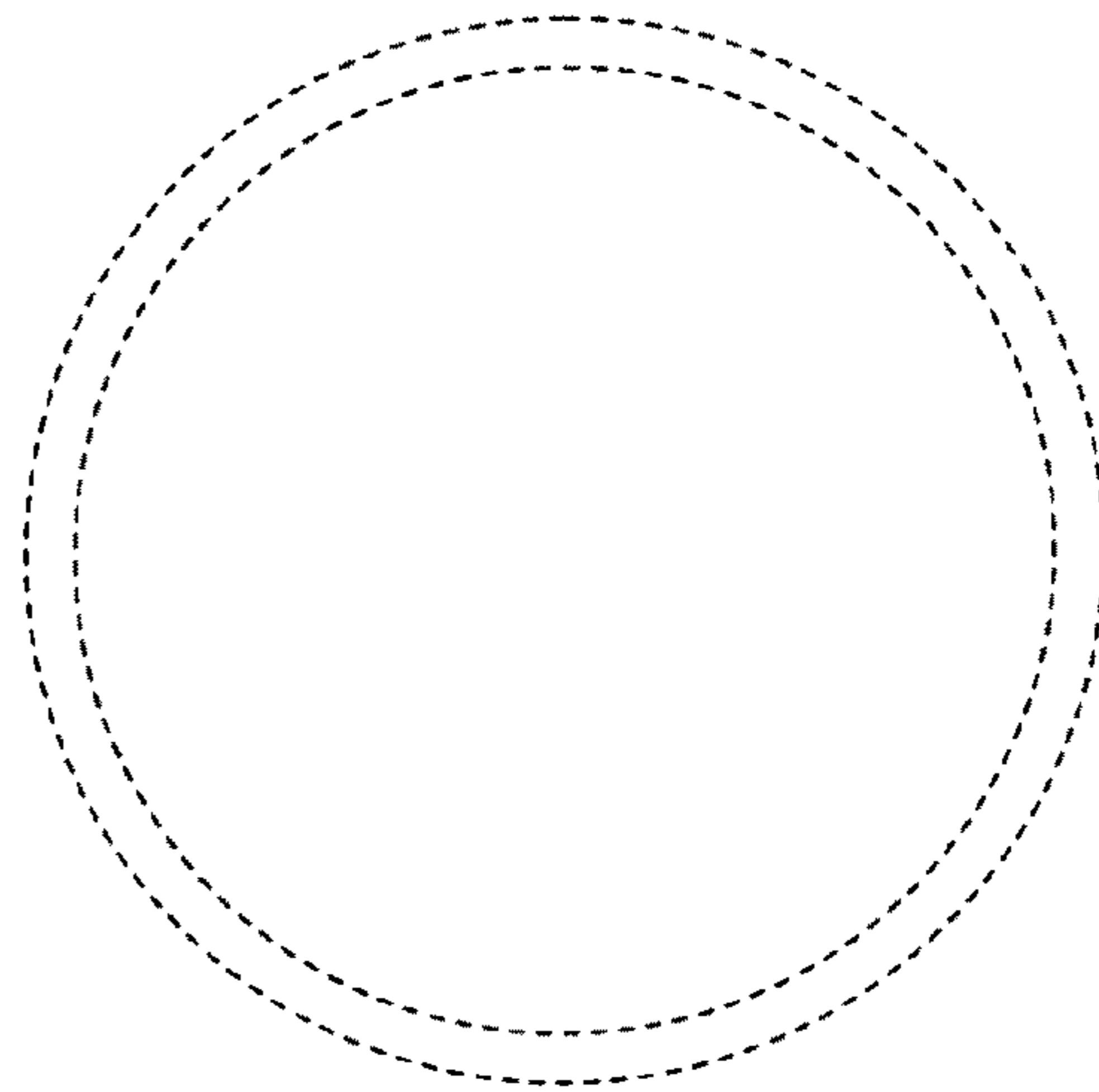


FIG. 4