

US00D756778S

(12) **United States Design Patent**
Velmer et al.

(10) **Patent No.:** **US D756,778 S**

(45) **Date of Patent:** **** May 24, 2016**

(54) **CLOSURE**

(71) Applicant: **Mead Johnson Nutrition Company**,
Glenview, IL (US)

(72) Inventors: **Marc S. Velmer**, Evansville, IN (US);
Thomas C. Horton, Newburgh, IN
(US); **Patrick E. McCallister**,
Newburgh, IN (US)

(73) Assignee: **Mead Johnson Nutrition Company**,
Glenview, IL (US)

(**) Term: **14 Years**

(21) Appl. No.: **29/514,620**

(22) Filed: **Jan. 14, 2015**

(51) **LOC (10) Cl.** **09-07**

(52) **U.S. Cl.**
USPC **D9/454; D9/449**

(58) **Field of Classification Search**
USPC D7/300, 300.1, 300.2, 303, 316, 317,
D7/396.2, 397, 398, 509, 510, 511, 392.1;
D9/738, 763, 778, 434, 435, 436, 439,
D9/440, 443, 444, 445, 447, 448, 449, 450,
D9/452, 453, 454, 438; D28/82
See application file for complete search history.

(56) **References Cited**

U.S. PATENT DOCUMENTS

D141,686 S	6/1945	Hagle	
3,013,436 A	12/1961	Earl	
D245,225 S	8/1977	Lyons	
D274,777 S	7/1984	Wolff	
D318,015 S	7/1991	DeCoster et al.	
D319,982 S	9/1991	Matthews	
D349,650 S *	8/1994	Lonczak	D9/449
5,353,946 A	10/1994	Behrend	
D372,195 S	7/1996	Gerhart et al.	

5,706,974 A	1/1998	Murdick et al.	
D394,611 S	5/1998	La Gro	
D396,011 S	7/1998	Henriksson	
D403,586 S *	1/1999	Bakic	D9/454
D409,484 S	5/1999	Tasker	
D451,021 S *	11/2001	Berge	D9/445
D466,015 S *	11/2002	Faucon	D9/435
D473,140 S	4/2003	Gilliam et al.	
D483,988 S	12/2003	Kipperman et al.	

(Continued)

FOREIGN PATENT DOCUMENTS

JP	D1207114	6/2004
TW	D135915	7/2010
TW	D152445	3/2013

Primary Examiner — Robert M Spear

Assistant Examiner — Marissa J Cash

(74) *Attorney, Agent, or Firm* — Patterson Intellectual
Property Law, P.C.; James R. Cartiglia; Timothy L. Capria

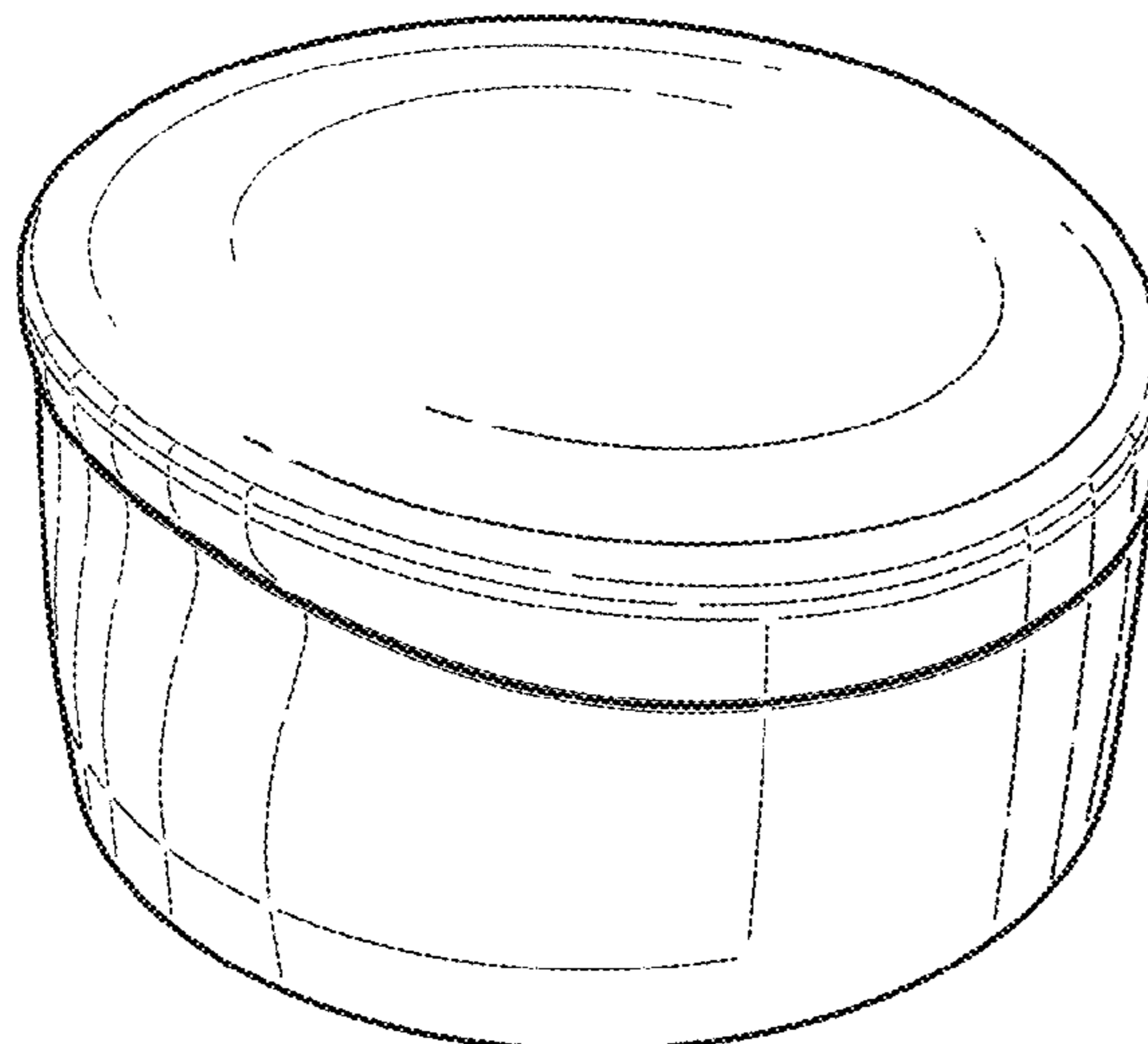
(57) **CLAIM**

What is claimed is the ornamental design for a closure, as
shown and described.

DESCRIPTION

FIG. 1 is a top perspective view of the closure of FIG. 1.
FIG. 2 is a top plan view of an embodiment of the closure in
a closed position.
FIG. 3 is a left side view of the closure of FIG. 1. The right
side view of FIG. 1. is a mirror image of FIG. 3, not shown.
FIG. 4 is a front elevation view of the closure of FIG. 1.
FIG. 5 is a rear elevation view of the closure of FIG. 1; and,
FIG. 6 is a bottom plan view of the closure of FIG. 1. The
circular broken line is shown to define a boundary around a
bottom center portion of the closure. The area within the
circular broken line boundary is not part of the claimed
design.

1 Claim, 1 Drawing Sheet



(56)

References Cited

U.S. PATENT DOCUMENTS

6,761,279	B1	7/2004	Martin et al.				
D504,318	S	4/2005	Lane et al.				
6,889,866	B2	5/2005	Gilliam et al.				
D517,916	S	3/2006	Satt				
D525,136	S *	7/2006	Bakic	D28/82			
D526,200	S *	8/2006	Bakic	D9/521			
D526,201	S *	8/2006	Bakic	D9/522			
D530,204	S	10/2006	Zaidman				
7,175,041	B2	2/2007	Ekkert				
D543,800	S	6/2007	Kwan				
D547,184	S *	7/2007	Kim	D9/447			
D566,558	S *	4/2008	Bakic	D9/503			
D567,089	S	4/2008	Glydon et al.				
D568,155	S	5/2008	Glydon et al.				
D568,739	S	5/2008	Darr				
D576,035	S	9/2008	Perry et al.				
D582,772	S *	12/2008	Bakic	D9/449			
D588,915	S *	3/2009	Lohrman	D9/449			
D588,947	S	3/2009	Curtin				
D595,131	S	6/2009	Dibnah et al.				
7,562,786	B2	7/2009	Morrison				
D598,781	S	8/2009	Schwartz et al.				
D607,726	S *	1/2010	Wisniewski	D9/449			
D608,193	S	1/2010	Sanfilippo et al.				
D610,413	S	2/2010	Kahan et al.				
7,694,845	B2	4/2010	Tilton				
D624,406	S	9/2010	Cronican et al.				
D626,412	S	11/2010	Lohrman et al.				
D628,068	S	11/2010	Gonzalez et al.				
D628,890	S *	12/2010	Groubert	D9/449			
D637,911	S	5/2011	Macaulay et al.				
D640,556	S	6/2011	Bragg et al.				
7,971,747	B2	7/2011	Blomdahl et al.				
D644,102	S	8/2011	Kopulos et al.				
8,011,566	B2	9/2011	Robertson et al.				
D646,592	S	10/2011	Hood et al.				
D646,966	S	10/2011	Gill et al.				
8,042,704	B2	10/2011	Borowski et al.				
D657,675	S *	4/2012	Averill	D9/445			
D661,583	S *	6/2012	Santarelli	D9/449			
D661,588	S	6/2012	Irani				
D667,300	S *	9/2012	Davis	D9/435			
D671,000	S	11/2012	O'Neill et al.				
8,308,008	B2	11/2012	Perry et al.				
8,376,179	B2	2/2013	Horton et al.				
D679,184	S *	4/2013	Fedewa	D9/449			
D680,424	S	4/2013	Maclean et al.				
D680,434	S *	4/2013	Fracasso	D9/447			
D680,867	S	4/2013	Kopulos et al.				
8,469,223	B2	6/2013	Perry et al.				
D690,200	S	9/2013	Arand et al.				
8,567,629	B2	10/2013	Vandamme et al.				
8,590,732	B2	11/2013	Vandamme				
D695,613	S *	12/2013	Miranda De Araujo	D9/449			
D709,761	S *	7/2014	Sanders	D9/445			
D711,230	S *	8/2014	den Boer	D9/449			
D713,724	S *	9/2014	den Boer	D9/449			
D717,169	S	11/2014	Blackburn				
D725,968	S *	4/2015	George	D7/511			
D730,729	S *	6/2015	George	D9/435			
D743,790	S *	11/2015	Hussain	D9/447			
2006/0191933	A1	8/2006	Hicks et al.				
2008/0041861	A1	2/2008	Crawford et al.				
2010/0193522	A1	8/2010	Wisniewski et al.				
2010/0236966	A1	9/2010	Luttik et al.				
2010/0308055	A1	12/2010	Sams				
2012/0000925	A1	1/2012	Dols et al.				
2012/0061413	A1	3/2012	Dols et al.				
2012/0205375	A1	8/2012	Hudson et al.				
2012/0205376	A1	8/2012	Yang et al.				
2012/0279964	A1	11/2012	McGeough				
2013/0001227	A1	1/2013	Groubert				
2013/0081364	A1	4/2013	Piscopo				
2013/0160265	A1	6/2013	Pantelleria				

* cited by examiner

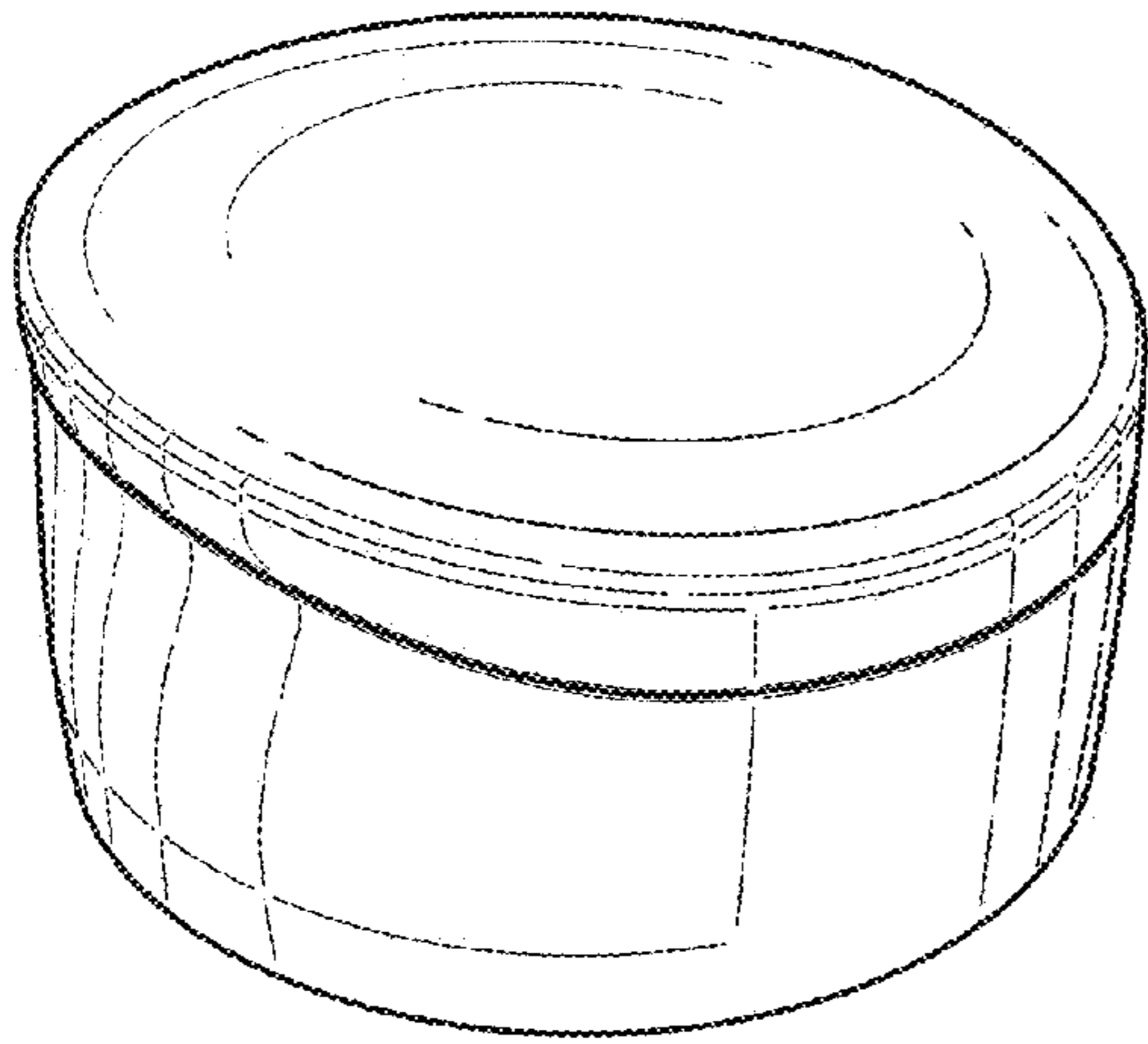


FIG. 1

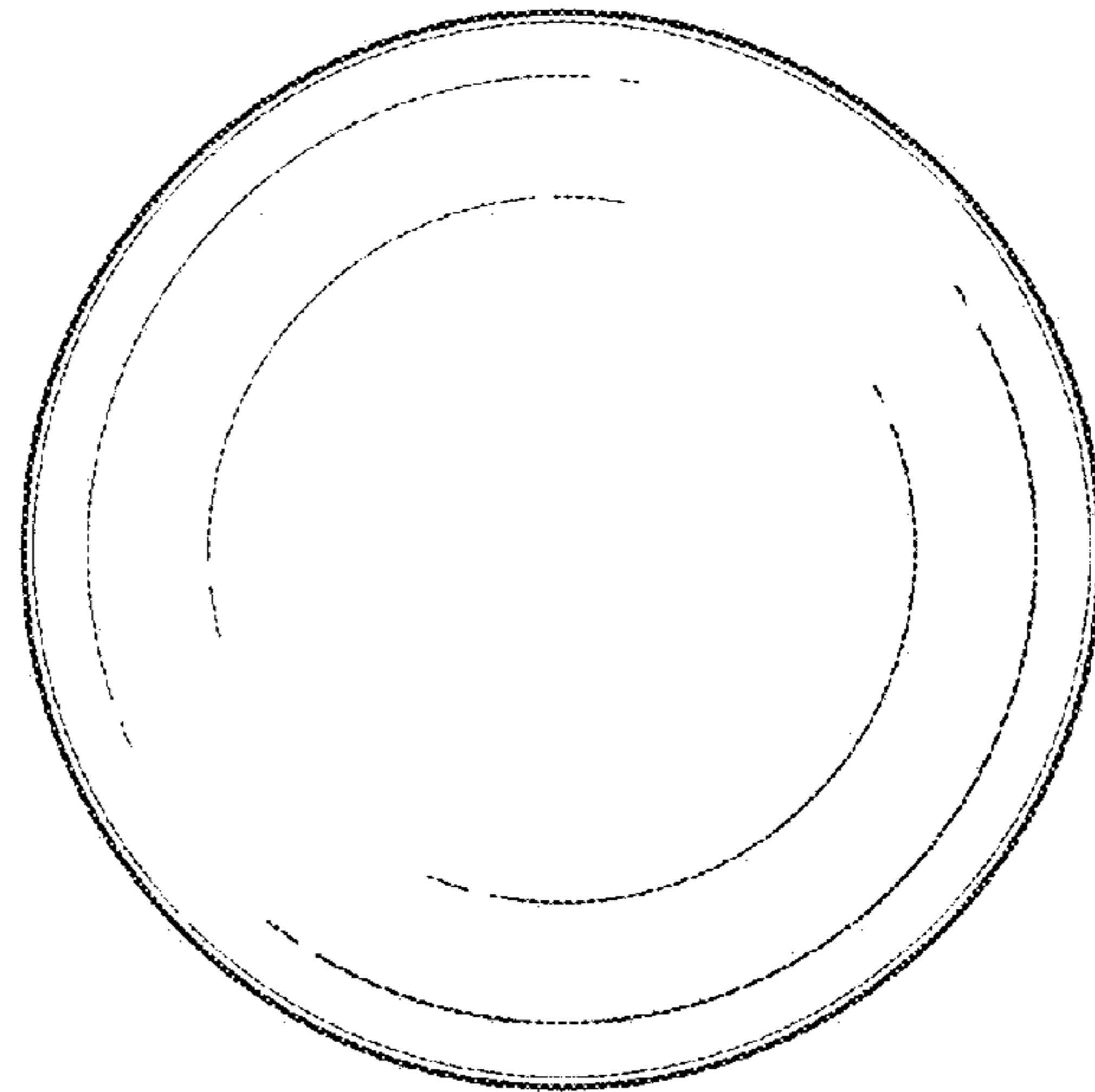


FIG. 2

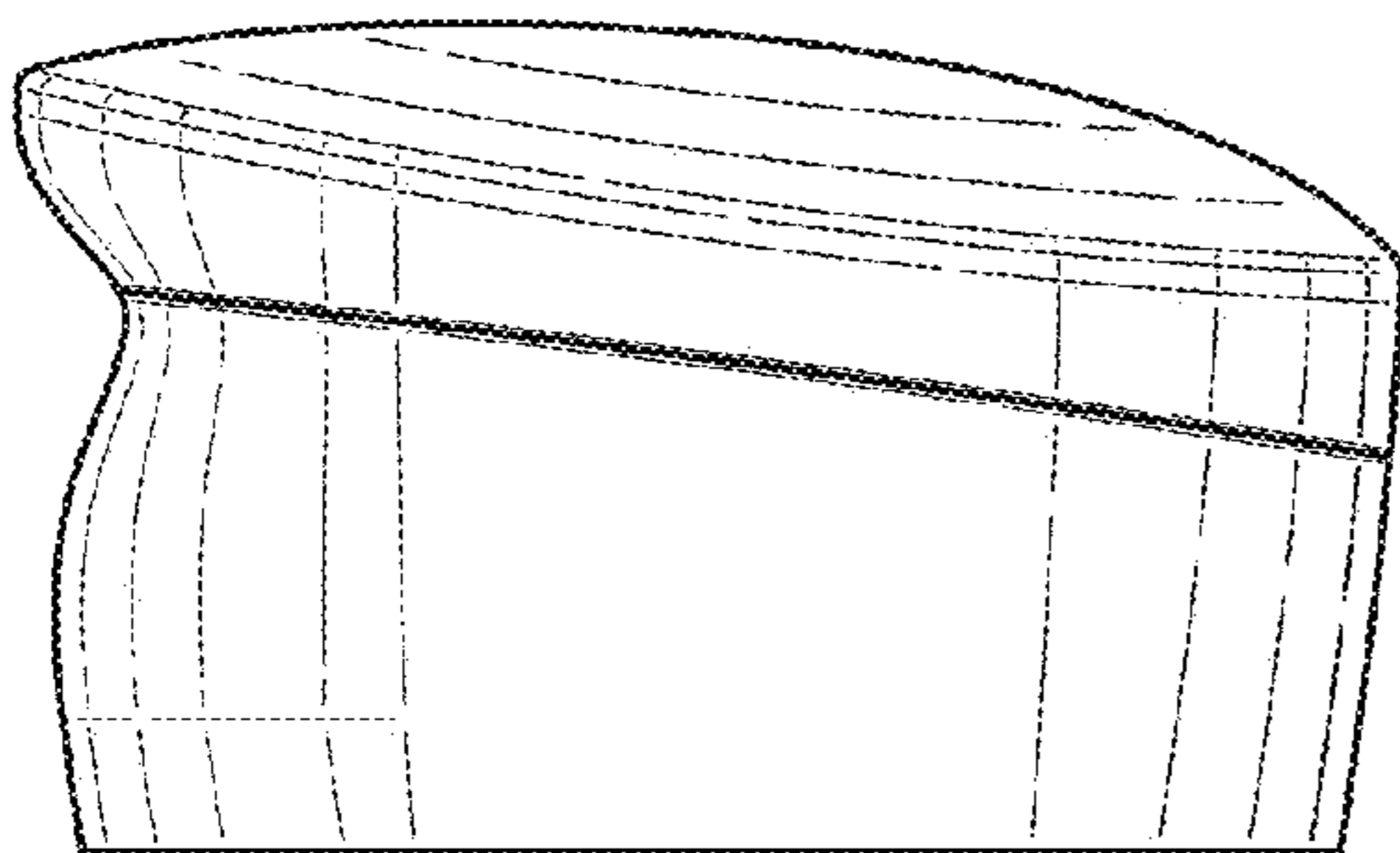


FIG. 3

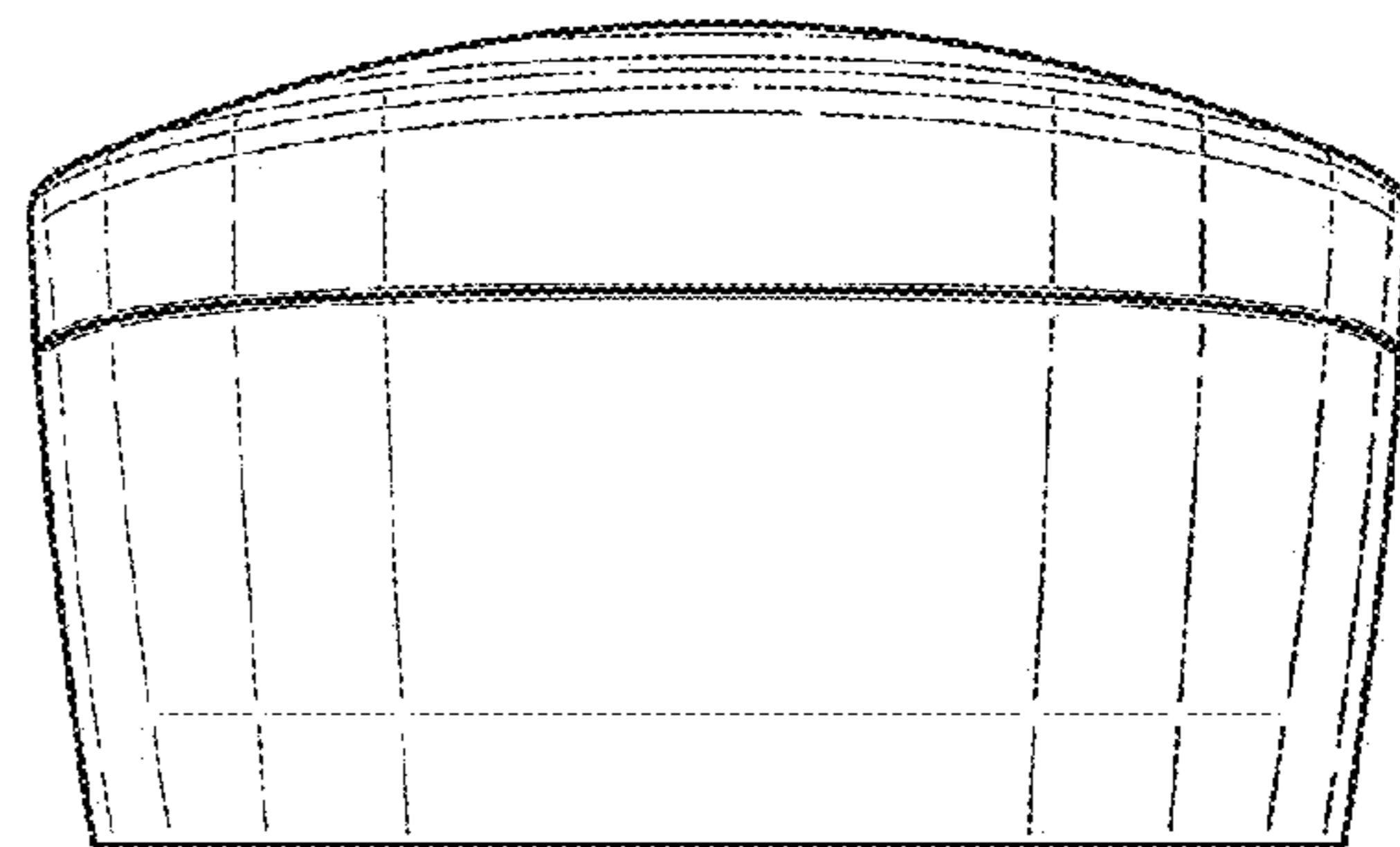


FIG. 4

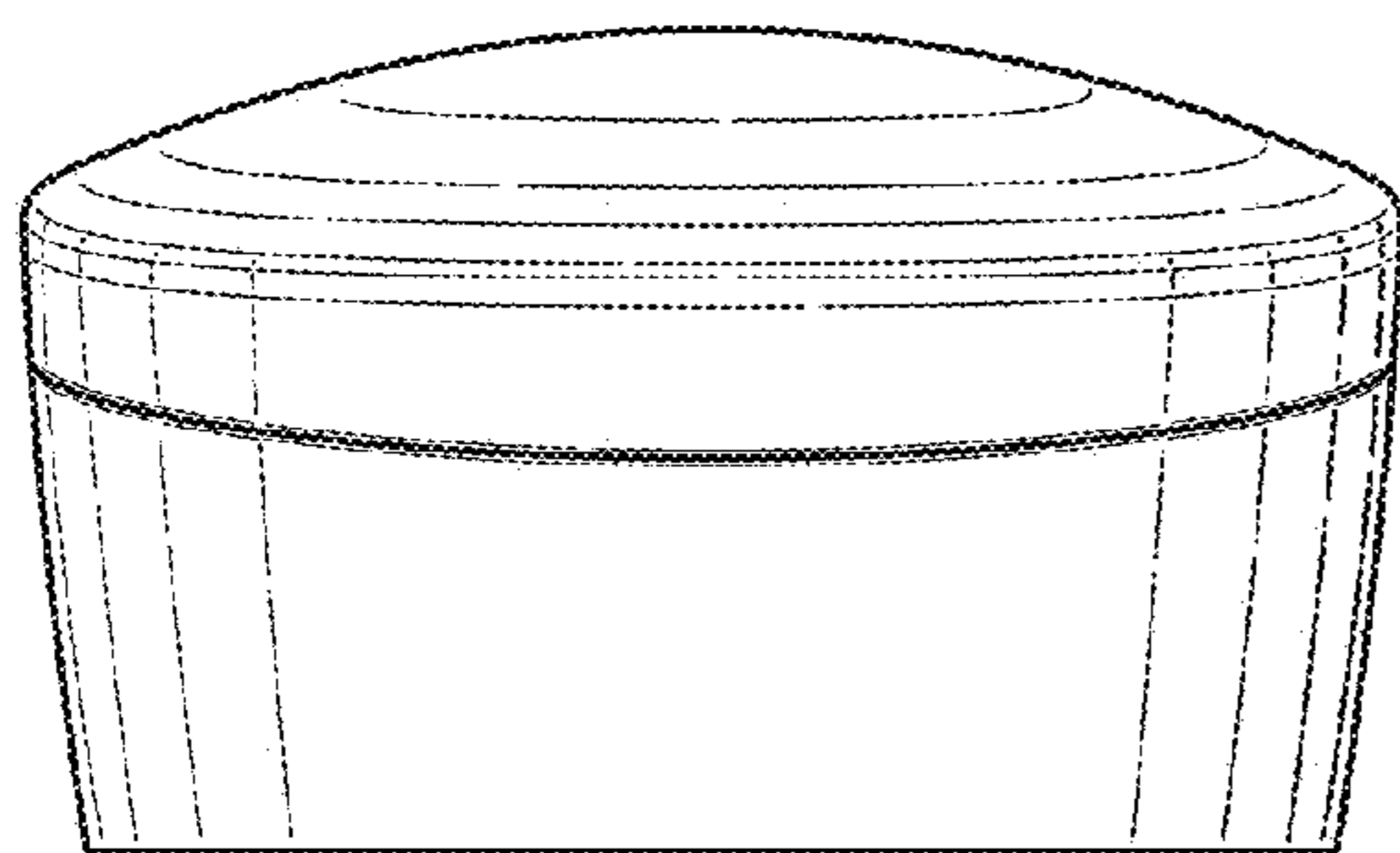


FIG. 5

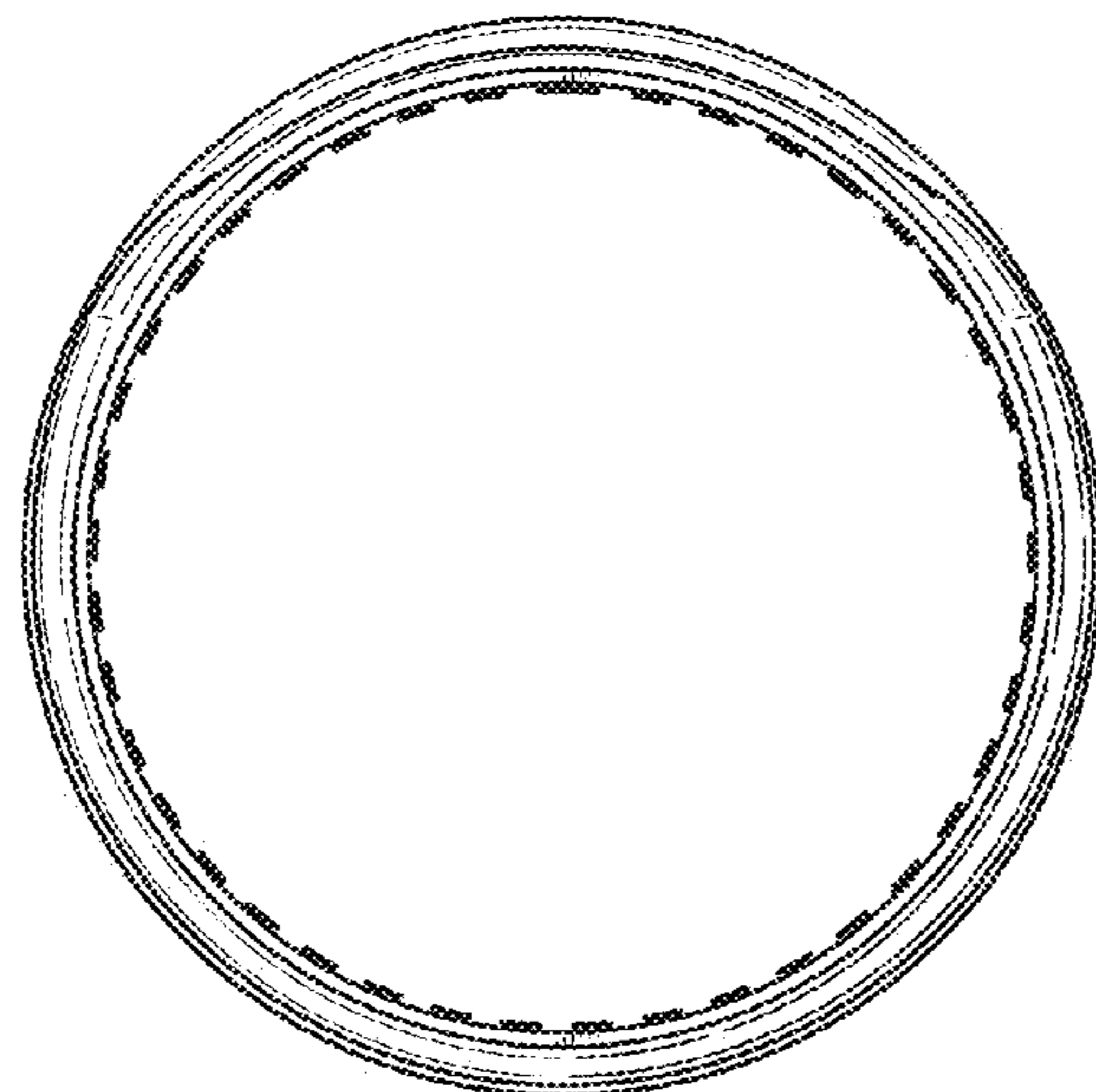


FIG. 6