



US00D756776S

(12) **United States Design Patent**  
**Orset**

(10) **Patent No.:** **US D756,776 S**

(45) **Date of Patent:** **\*\* May 24, 2016**

(54) **BOTTLE CAP**

FOREIGN PATENT DOCUMENTS

(71) Applicant: **CELGENE CORPORATION**, Summit,  
NJ (US)

FR 090080 7/2009  
GB 1019449 11/1984

(Continued)

(72) Inventor: **Frederic Eugene Lucien Orset**,  
Habere-Lullin (FR)

OTHER PUBLICATIONS

(73) Assignee: **Celgene Corporation**, Summit, NJ (US)

U.S. Appl. No. 29/502,019, filed Sep. 10, 2014, Orset.

(\*\*) Term: **14 Years**

(21) Appl. No.: **29/502,015**

(Continued)

(22) Filed: **Sep. 10, 2014**

*Primary Examiner* — Robert M Spear

*Assistant Examiner* — Marissa J Cash

(51) **LOC (10) Cl.** ..... **09-07**

(74) *Attorney, Agent, or Firm* — Jones Day

(52) **U.S. Cl.**

(57) **CLAIM**

The ornamental design for a bottle cap, as shown and described.

USPC ..... **D9/452**

**DESCRIPTION**

(58) **Field of Classification Search**

USPC ..... D7/300, 300.1, 300.2, 303, 313, 317,  
D7/602, 387, 509, 510, 511, 538; D9/434,  
D9/435, 436, 439, 440, 441, 442, 443, 444,  
D9/445, 446, 447, 448, 449, 450, 451, 452,  
D9/453, 454, 499

CPC ..... B65D 41/26; B65D 41/32; B65D 59/06;  
B65D 47/0814; B65D 47/2031; B65D 51/249;  
B65D 2251/1066; B65D 41/02; B65D 23/00;  
B65D 39/08; B67D 3/0032; A47G 19/26;  
A47G 19/2266; B65F 1/14

See application file for complete search history.

FIG. 1 is a top and first side perspective view of a bottle cap showing my new design;  
FIG. 2 is a bottom and first side perspective view thereof;  
FIG. 3 is a first side elevational view thereof;  
FIG. 4 is a second side elevational view thereof;  
FIG. 5 is a third side elevational view thereof;  
FIG. 6 is a fourth side elevational view thereof;  
FIG. 7 is a top elevational view thereof;  
FIG. 8 is a bottom elevational view thereof;  
FIG. 9 is a top and first side perspective view of a second embodiment of a bottle cap showing my new design;  
FIG. 10 is a bottom and first side perspective view thereof;  
FIG. 11 is a first side elevational view thereof;  
FIG. 12 is a second side elevational view thereof;  
FIG. 13 is a third side elevational view thereof;  
FIG. 14 is a fourth side elevational view thereof;  
FIG. 15 is a top elevational view thereof; and,  
FIG. 16 is a bottom elevational view thereof.

In the drawings, the broken lines depict environmental subject matter only and form no part of the claimed design.

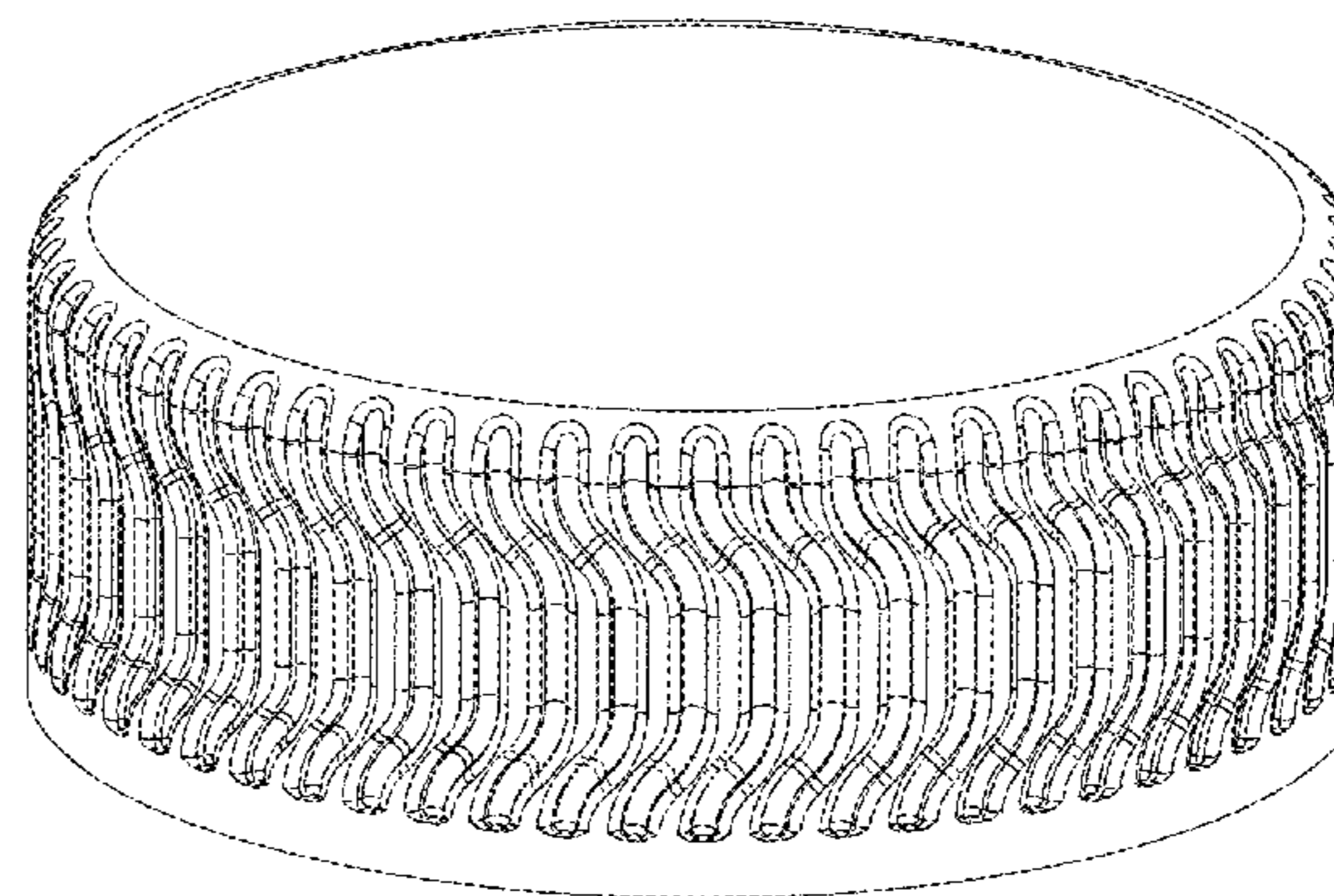
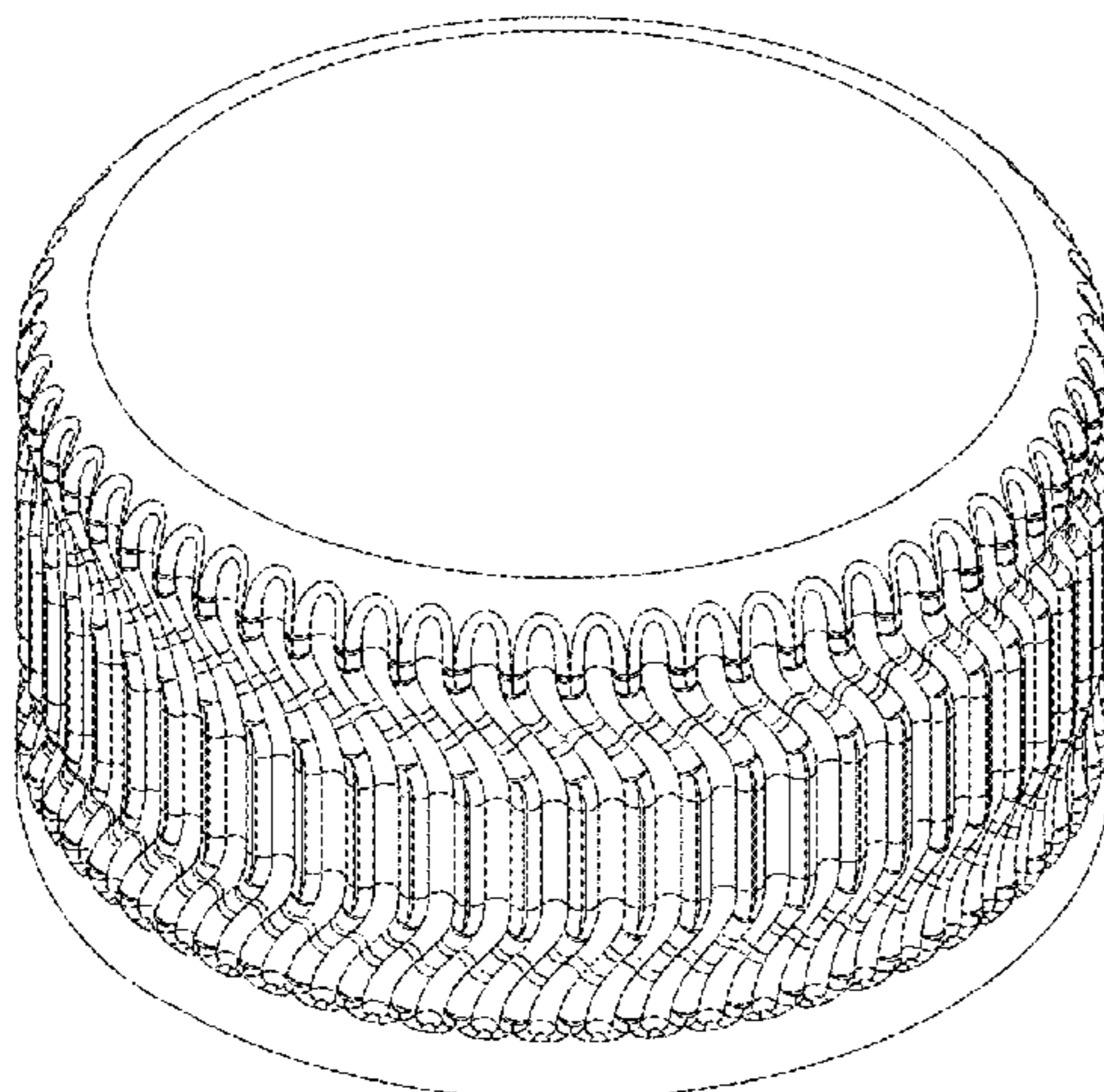
(56) **References Cited**

U.S. PATENT DOCUMENTS

D25,355 S 4/1896 Smalley  
D145,661 S 10/1946 Derham  
3,027,035 A 3/1962 Farago

(Continued)

**1 Claim, 6 Drawing Sheets**



(56)

References Cited

U.S. PATENT DOCUMENTS

3,437,194 A 4/1969 Ames et al.  
 3,924,772 A 12/1975 Magnani  
 4,059,198 A \* 11/1977 Mumford ..... B65D 41/06  
 215/211  
 D259,179 S 5/1981 Welch  
 4,285,437 A 8/1981 Morris  
 D274,220 S 6/1984 Biesecker  
 D274,221 S 6/1984 Biesecker  
 4,457,437 A 7/1984 Heath, Jr.  
 4,527,702 A 7/1985 Heath, Jr.  
 4,749,095 A \* 6/1988 Rote ..... B65D 41/3447  
 215/252  
 D313,176 S \* 12/1990 Okuda ..... D9/501  
 D315,507 S \* 3/1991 Ochs ..... D9/453  
 5,090,788 A \* 2/1992 Ingram ..... B65D 41/3428  
 215/252  
 D332,751 S 1/1993 Pischulti et al.  
 5,184,739 A 2/1993 Kusz  
 5,219,507 A \* 6/1993 Ingram ..... B65D 41/3428  
 264/295  
 5,318,183 A 6/1994 Cohen et al.  
 D349,858 S 8/1994 Lonczak et al.  
 D357,865 S 5/1995 Hansen  
 D359,682 S \* 6/1995 Miller ..... D9/434  
 D359,907 S 7/1995 Hirsch  
 D359,909 S 7/1995 Hirsch  
 D359,910 S 7/1995 Hirsch  
 5,488,888 A \* 2/1996 Kowal ..... B26D 9/00  
 215/252  
 D368,658 S 4/1996 Hirsch  
 5,524,782 A 6/1996 Salemi  
 5,544,768 A 8/1996 Gargione  
 5,577,624 A 11/1996 Berta et al.  
 D382,488 S 8/1997 Ja  
 D397,031 S \* 8/1998 Fricke ..... D9/444  
 5,803,287 A 9/1998 Kusz  
 D399,756 S 10/1998 Lonczak et al.  
 5,950,849 A 9/1999 Ekkert et al.  
 D436,538 S 1/2001 Lang  
 D437,228 S \* 2/2001 Collins ..... D9/453  
 D470,413 S 2/2003 Seidita  
 D481,640 S 11/2003 Biesecker  
 6,739,466 B1 \* 5/2004 Culley ..... B65D 41/3428  
 215/216  
 6,766,916 B2 \* 7/2004 Ma ..... B65D 41/3428  
 215/252  
 D495,599 S 9/2004 Biesecker  
 6,854,613 B2 2/2005 Biesecker et al.  
 D503,886 S 4/2005 Biesecker  
 D510,523 S 10/2005 Pitman et al.  
 D511,457 S 11/2005 Biesecker et al.  
 D512,912 S 12/2005 Biesecker et al.  
 D513,585 S 1/2006 Biesecker et al.  
 D513,587 S 1/2006 Forte  
 D518,716 S 4/2006 Mallet  
 D519,373 S 4/2006 Pitman et al.  
 D546,181 S 7/2007 Biesecker et al.  
 D548,101 S 8/2007 Elgebrant  
 D548,103 S 8/2007 Waldner  
 D573,022 S \* 7/2008 Berman ..... D9/453  
 7,401,706 B2 7/2008 Shingle  
 D574,240 S 8/2008 Szczesniak  
 7,461,755 B2 12/2008 Manera et al.  
 D586,213 S 2/2009 Wells et al.  
 7,513,377 B1 \* 4/2009 Culley ..... B65D 41/3428  
 215/252  
 D597,840 S 8/2009 Biesecker et al.  
 7,607,547 B2 10/2009 Kumata et al.  
 D606,864 S 12/2009 Robinson  
 D611,346 S 3/2010 Camomile  
 D618,099 S 6/2010 Biesecker et al.

D619,003 S \* 7/2010 Benoit-Gonin ..... D9/453  
 D622,591 S 8/2010 Biesecker et al.  
 D623,518 S 9/2010 Camomile  
 7,802,690 B2 9/2010 Lohrman et al.  
 D634,200 S \* 3/2011 Taber ..... D9/453  
 D643,295 S 8/2011 Sadler et al.  
 D657,673 S 4/2012 Biesecker  
 D657,674 S 4/2012 Biesecker  
 8,177,059 B2 5/2012 Gudmundsson  
 D663,202 S 7/2012 Biesecker et al.  
 8,209,944 B1 7/2012 Miceli et al.  
 8,231,020 B2 7/2012 Taber et al.  
 8,251,252 B2 8/2012 Giraud  
 D666,495 S 9/2012 Biesecker et al.  
 D674,697 S 1/2013 Biesecker et al.  
 D681,466 S 5/2013 Cox et al.  
 D684,470 S \* 6/2013 Concin ..... D9/453  
 D691,046 S 10/2013 Krause  
 D691,054 S 10/2013 Olsson et al.  
 D691,473 S 10/2013 Smith et al.  
 D691,484 S 10/2013 Fitzgerald  
 D694,120 S 11/2013 Baussan  
 8,590,719 B2 11/2013 Sprishen et al.  
 D696,958 S 1/2014 Rex  
 8,672,158 B2 3/2014 Taber et al.  
 8,695,821 B2 4/2014 Bashyam  
 D705,059 S \* 5/2014 Hutchison ..... D9/447  
 D707,555 S \* 6/2014 Vogel ..... D9/436  
 D723,919 S \* 3/2015 Taber ..... D9/438  
 2003/0136753 A1 7/2003 Biesecker et al.  
 2004/0007556 A1 1/2004 Manera et al.  
 2004/0094551 A1 5/2004 Mavin et al.  
 2004/0222181 A1 11/2004 Biesecker et al.  
 2005/0109782 A1 5/2005 Biesecker et al.  
 2005/0194343 A1 9/2005 Sprishen  
 2007/0045320 A1 3/2007 Biesecker et al.  
 2008/0067142 A1 \* 3/2008 Druitt ..... B65D 41/04  
 215/324  
 2008/0197101 A1 8/2008 Rapoport  
 2008/0308518 A1 12/2008 Sprishen  
 2008/0314900 A1 12/2008 Biesecker et al.  
 2009/0014404 A1 1/2009 Russell  
 2009/0212003 A1 8/2009 Gudmundsson  
 2011/0017741 A1 1/2011 Sprishen  
 2011/0094990 A1 4/2011 Sprishen et al.  
 2012/0018401 A1 \* 1/2012 Win ..... B65D 41/3428  
 215/252  
 2012/0138503 A1 6/2012 Patel  
 2012/0228257 A1 \* 9/2012 Rabie ..... B65D 21/0204  
 215/252  
 2012/0325768 A1 12/2012 Biesecker et al.  
 2013/0001185 A1 \* 1/2013 Antier ..... B65D 41/3442  
 215/252  
 2014/0158660 A1 \* 6/2014 Wood ..... B65D 41/0421  
 215/252

FOREIGN PATENT DOCUMENTS

GB 2029253 6/1993  
 SE 82661 2/2014  
 WO 1019449 11/1984  
 WO 2029253 6/1993  
 WO DM/071617 12/2008

OTHER PUBLICATIONS

U.S. Appl. No. 29/540,135, filed Sep. 21, 2015, Orset.  
 U.S. Appl. No. 29/540,142, filed Sep. 21, 2015, Orset.  
 United States Patent and Trademark Office, Restriction Requirement issued in U.S. Appl. No. 29/502,019, mailed Dec. 1, 2015.  
 United States Patent and Trademark Office, Ex Parte Quayle Action issued in U.S. Appl. No. 29/502,019, mailed Feb. 2, 2016.

\* cited by examiner

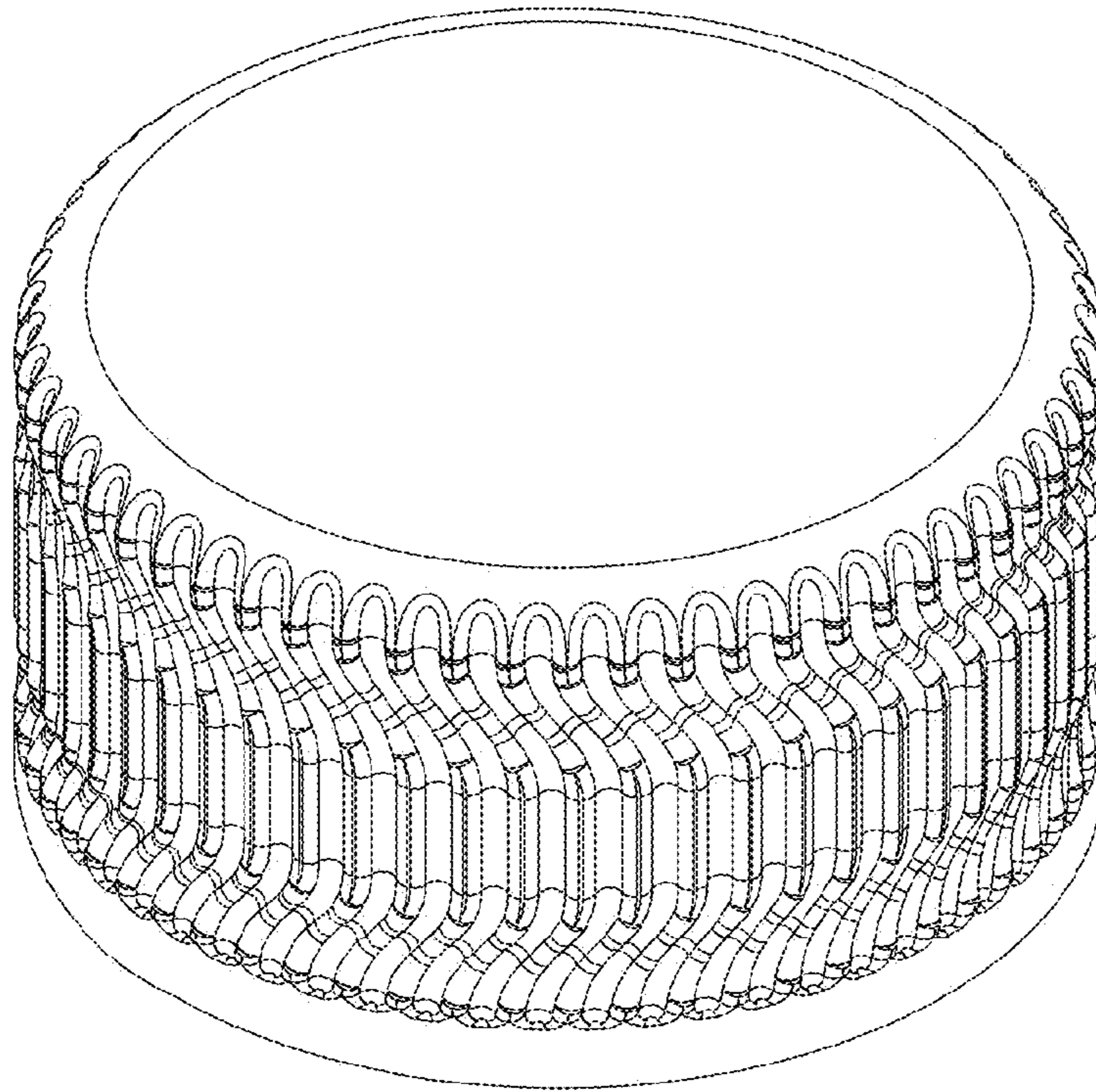


Fig.1

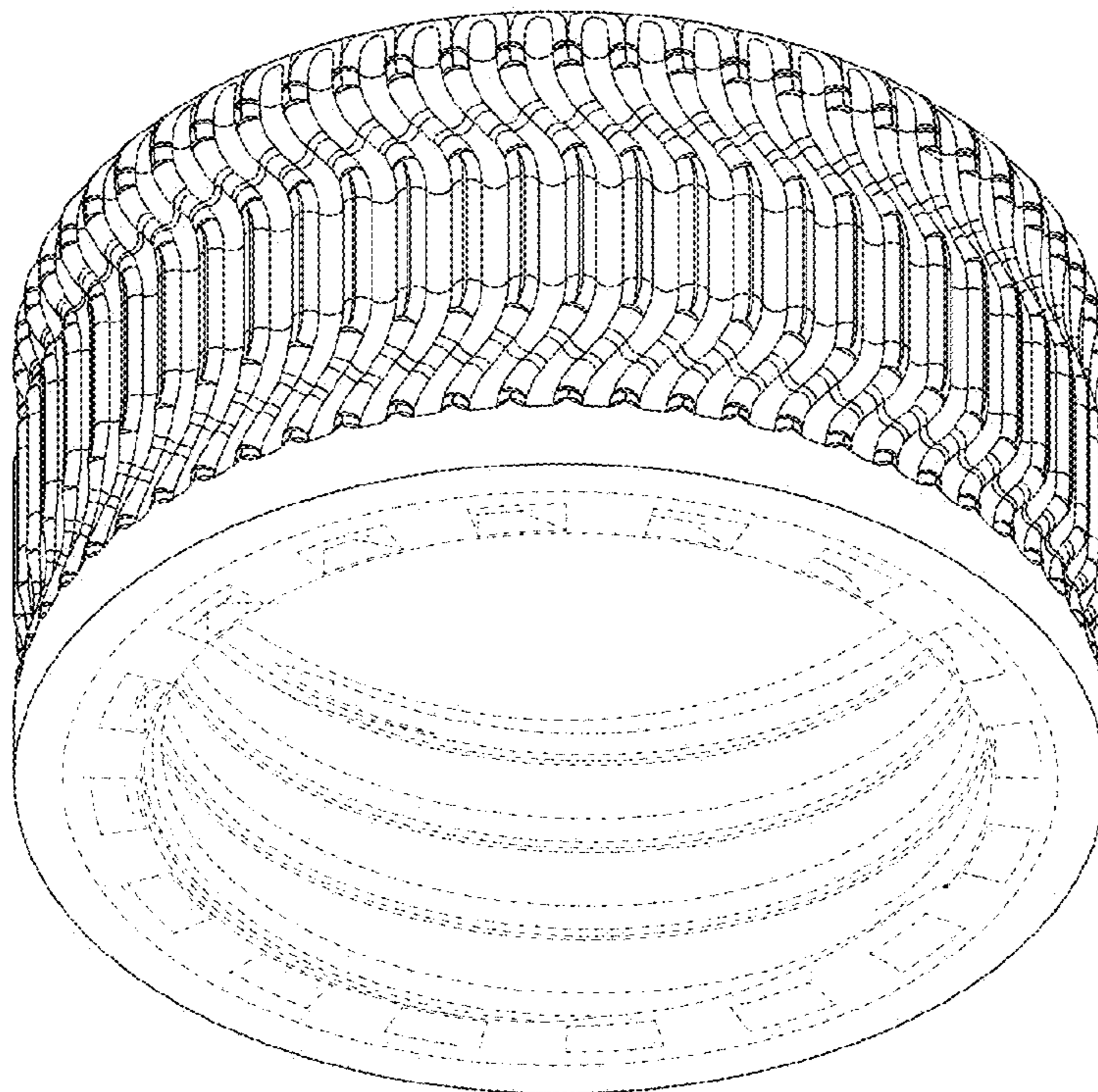


Fig.2

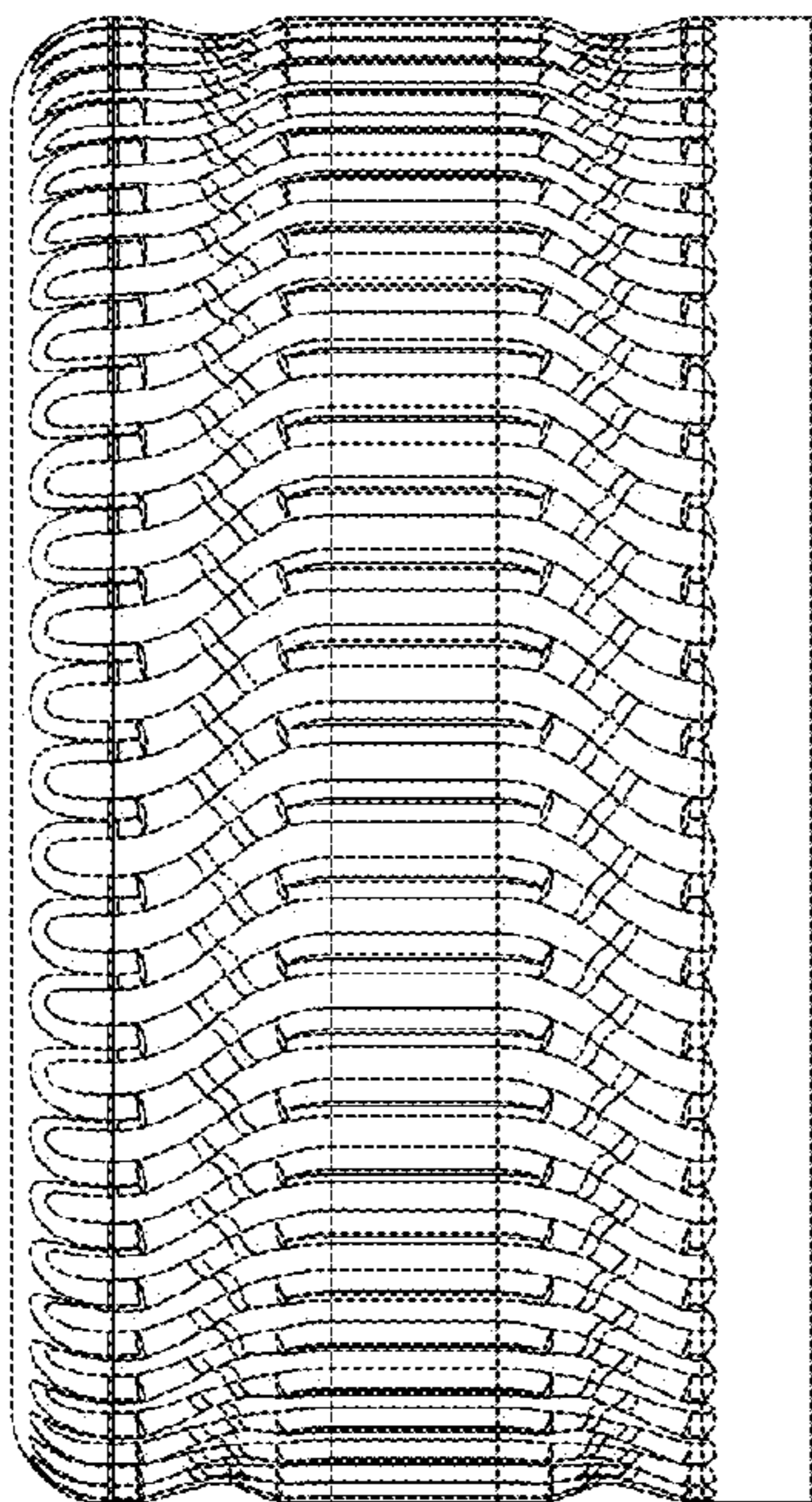


Fig.5

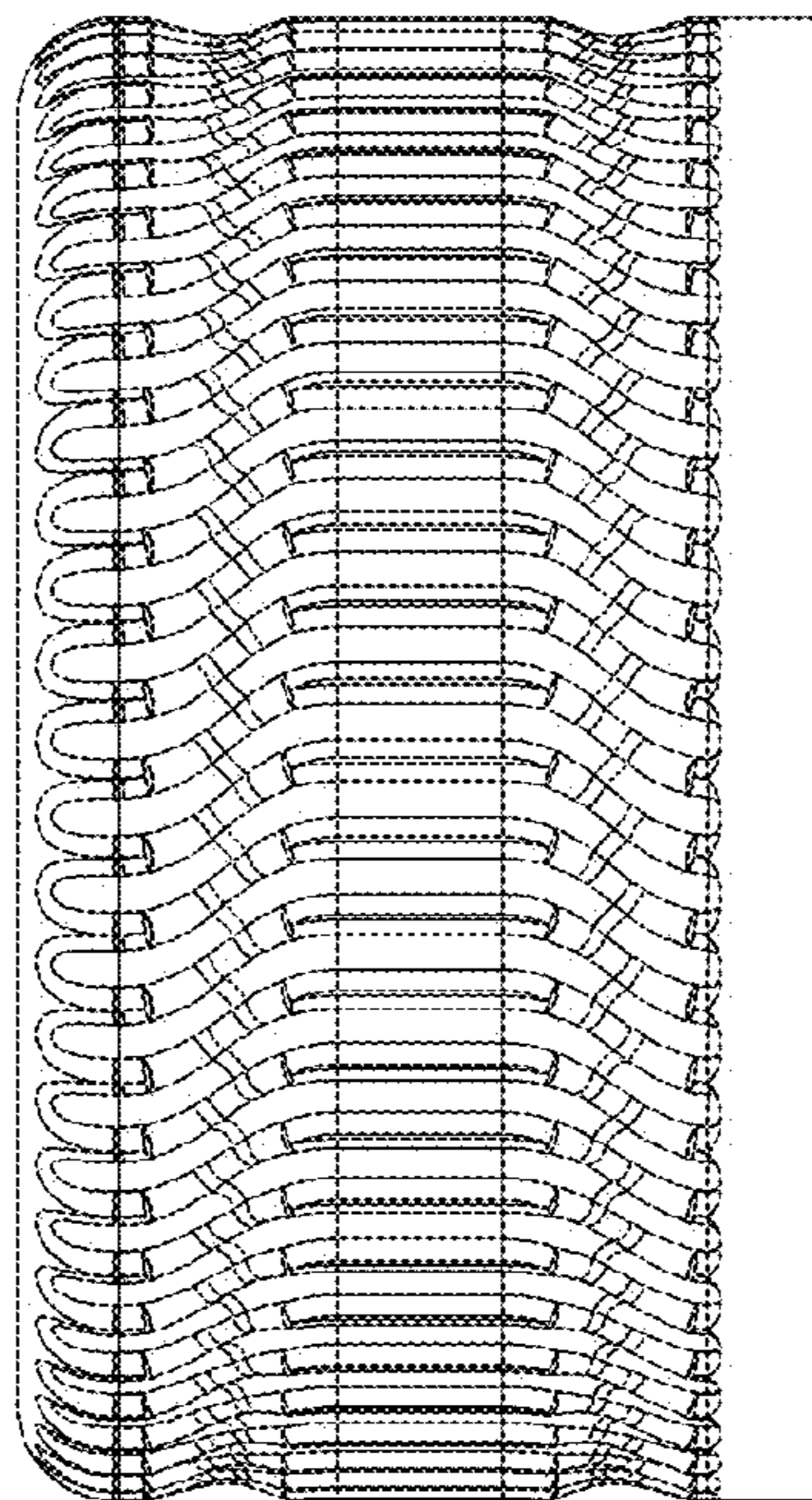


Fig.6

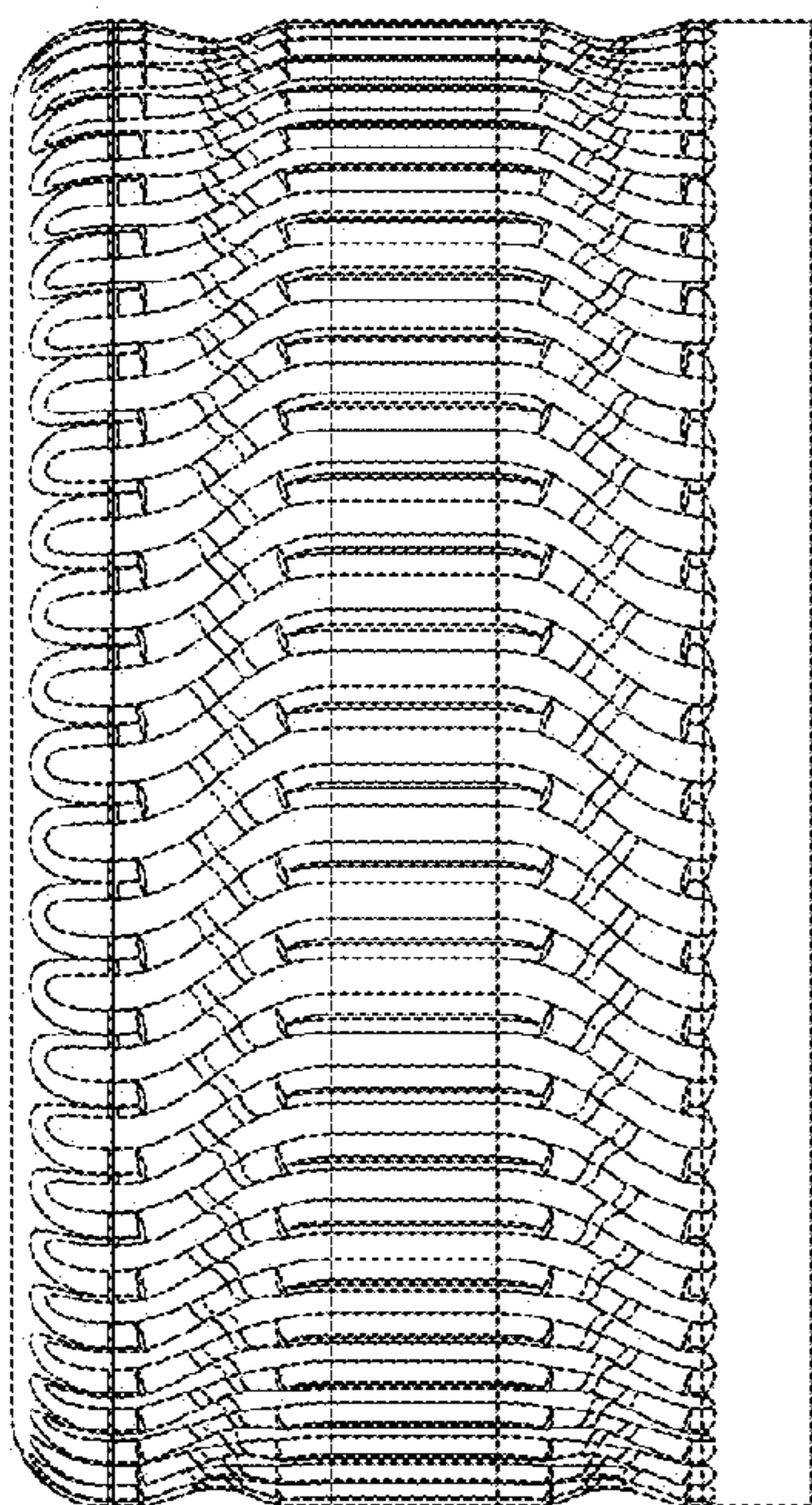


Fig.3

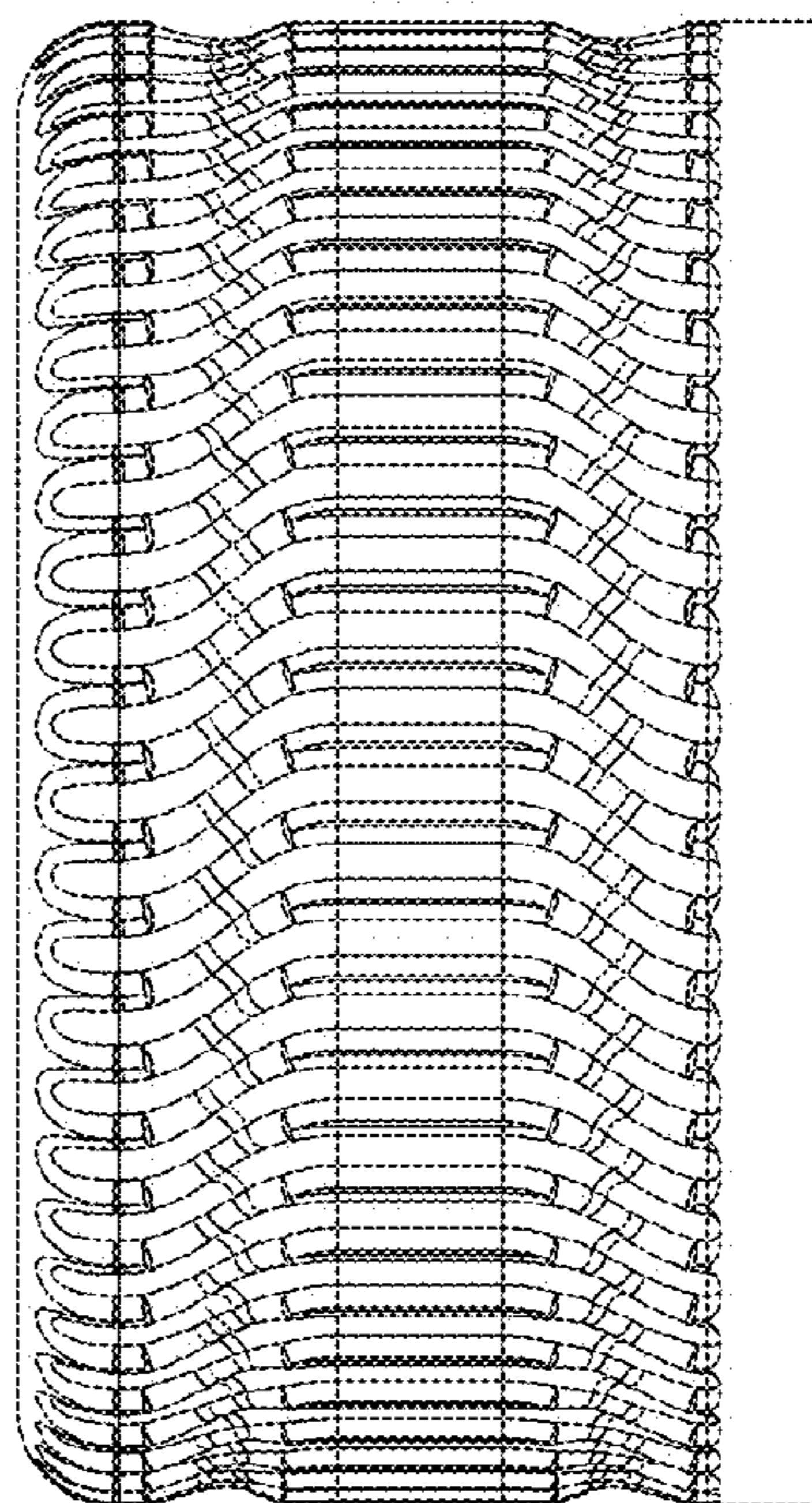


Fig.4

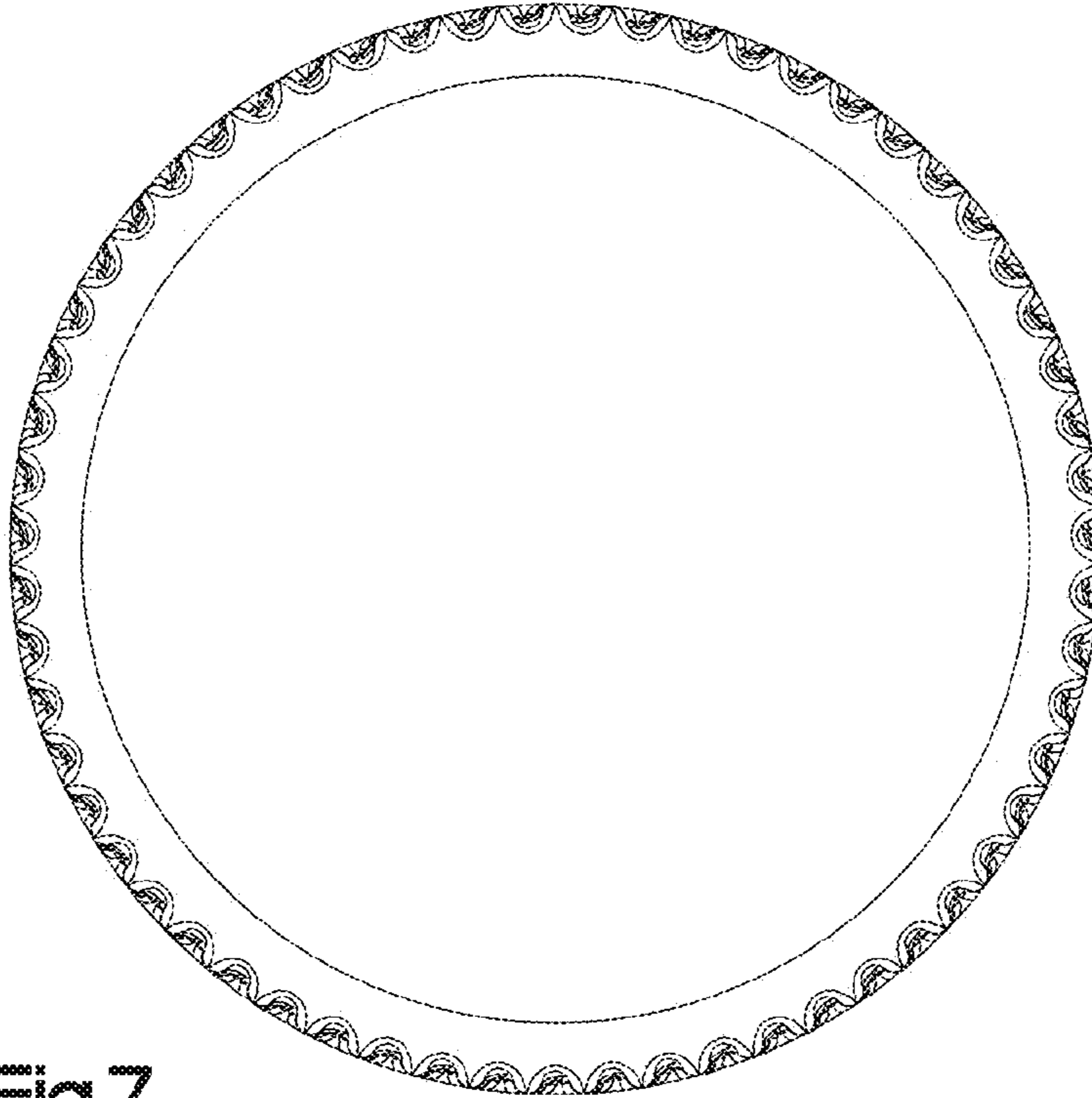


Fig.7

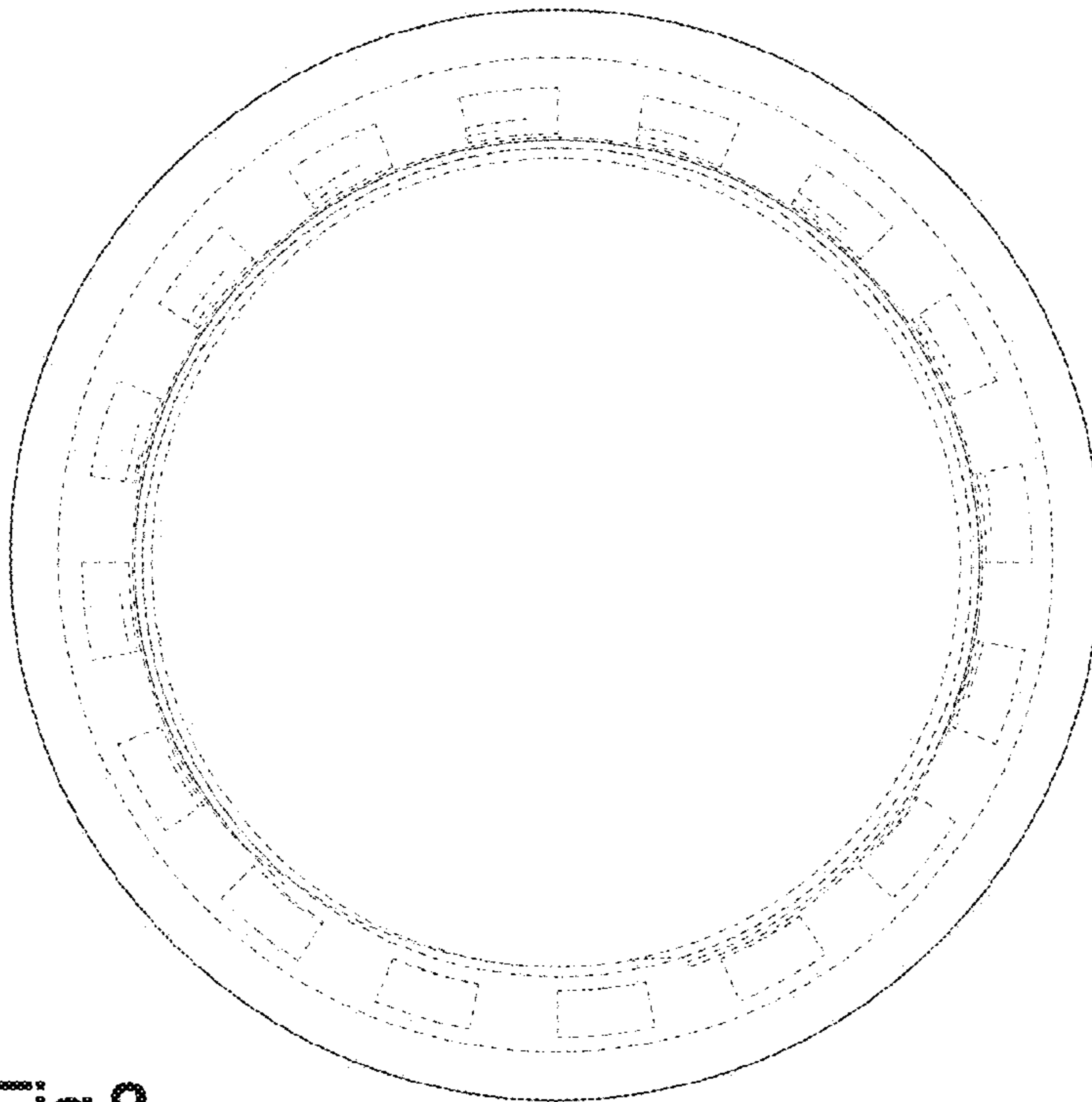


Fig.8

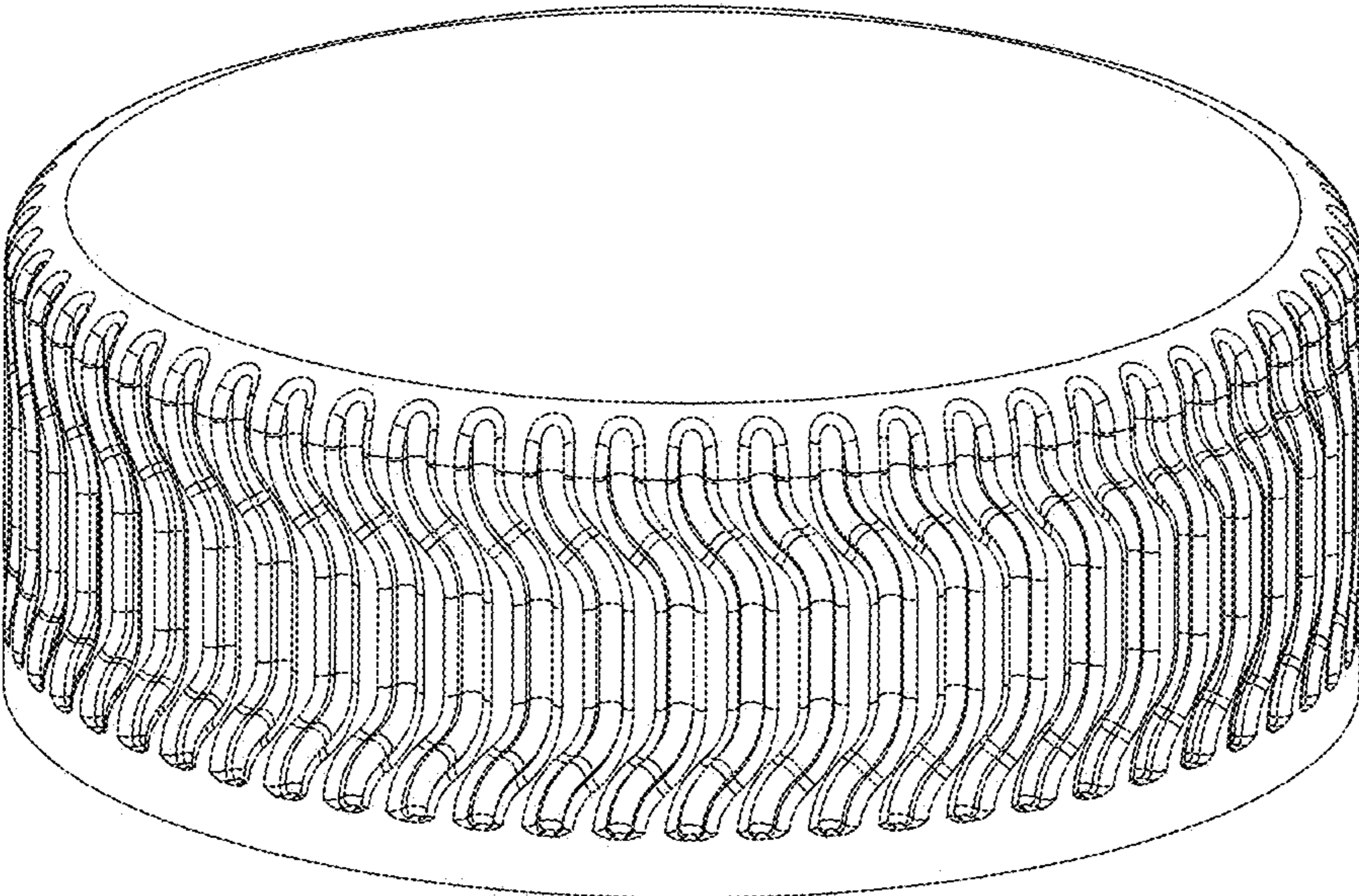


Fig.9

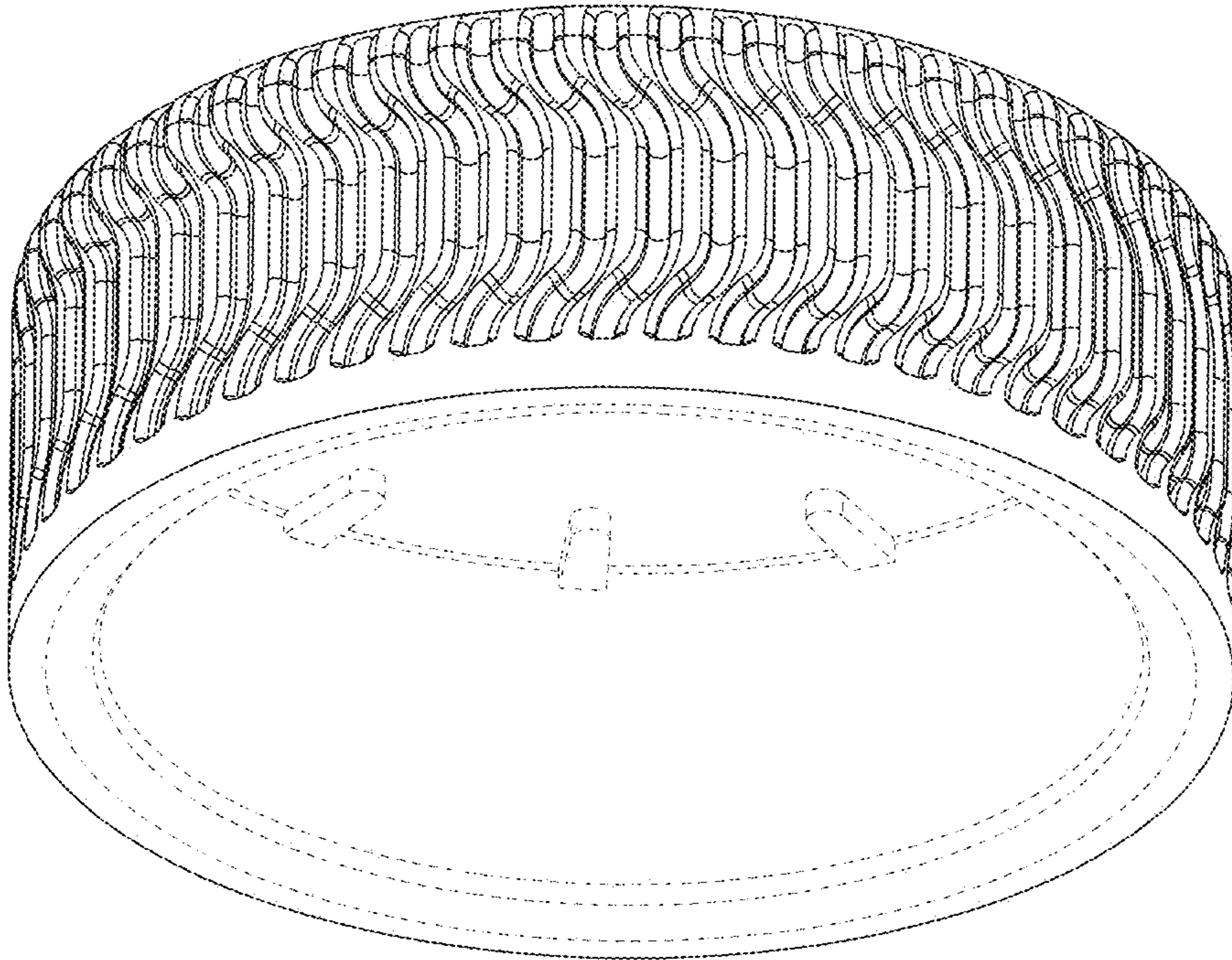


Fig.10

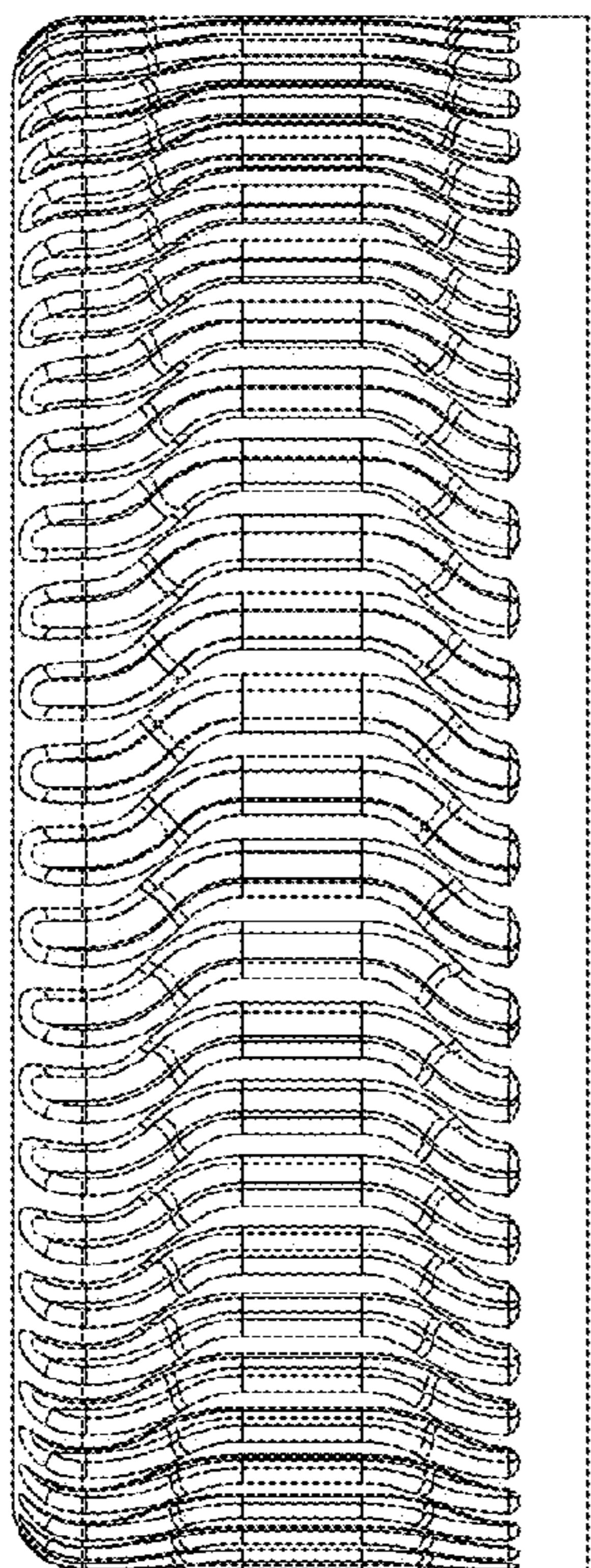


Fig.11

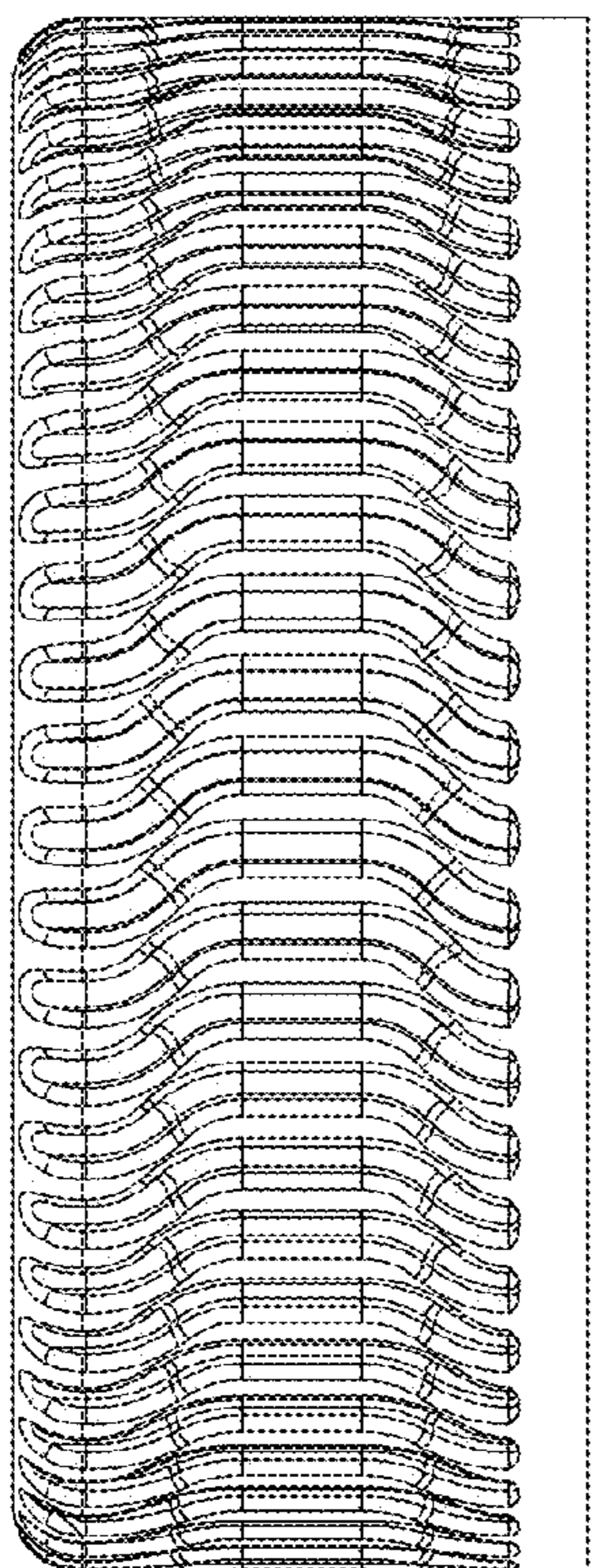


Fig.12

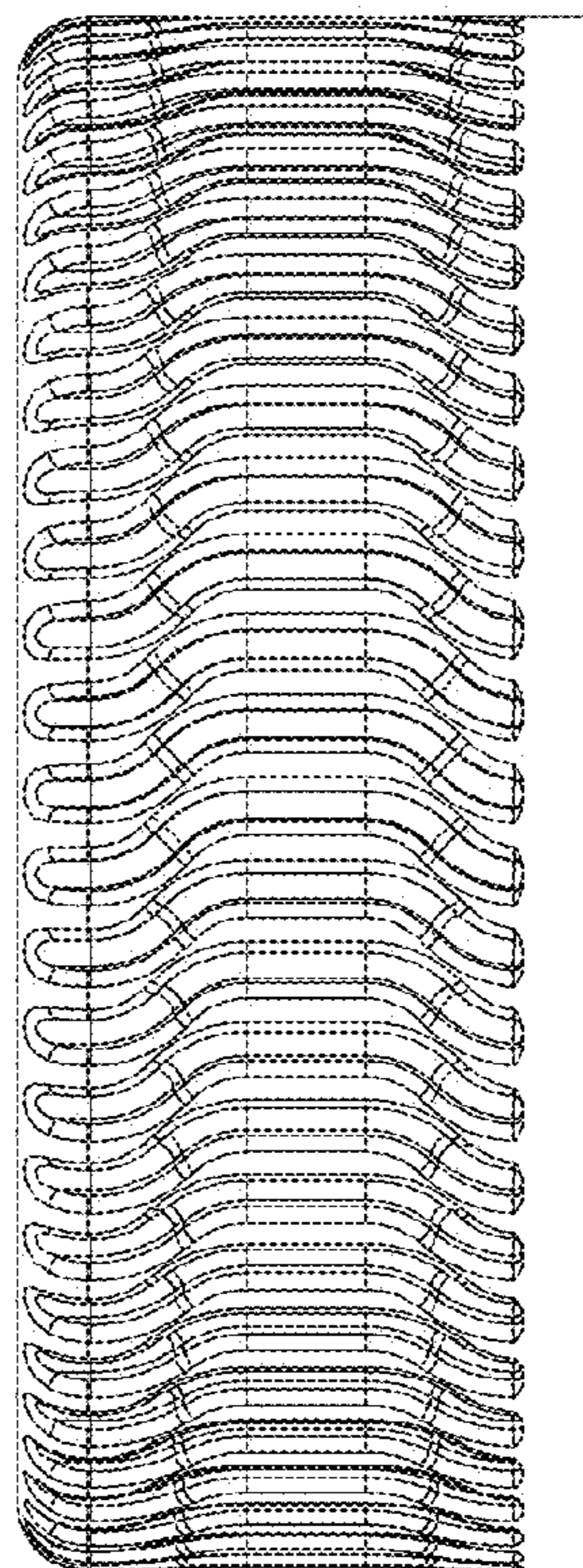


Fig.13

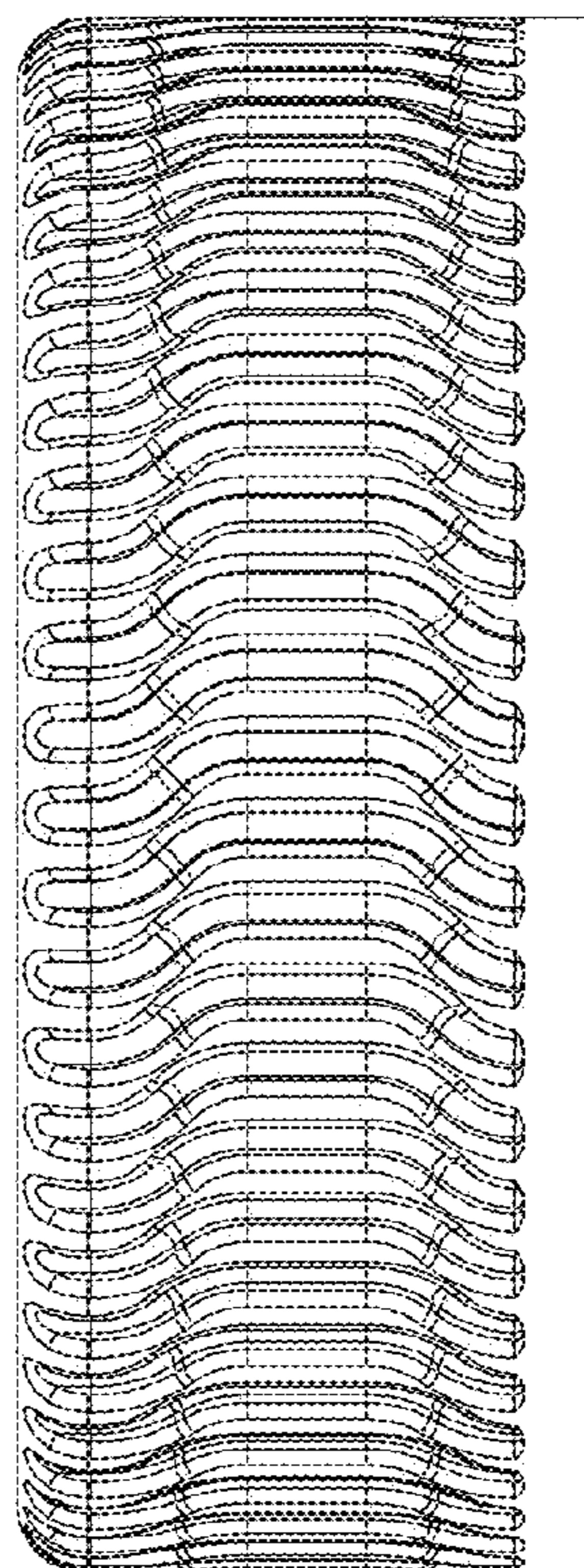


Fig.14

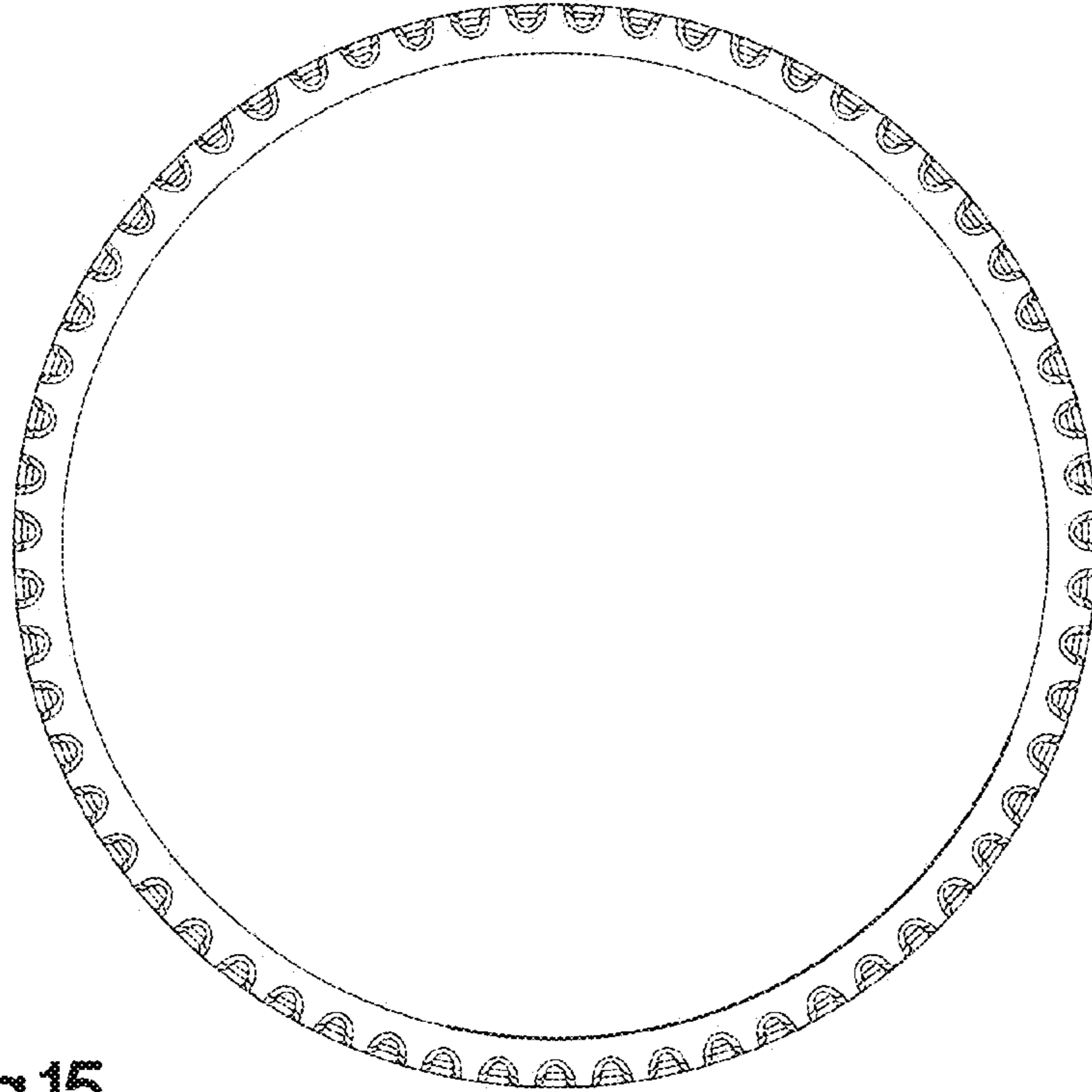


Fig.15

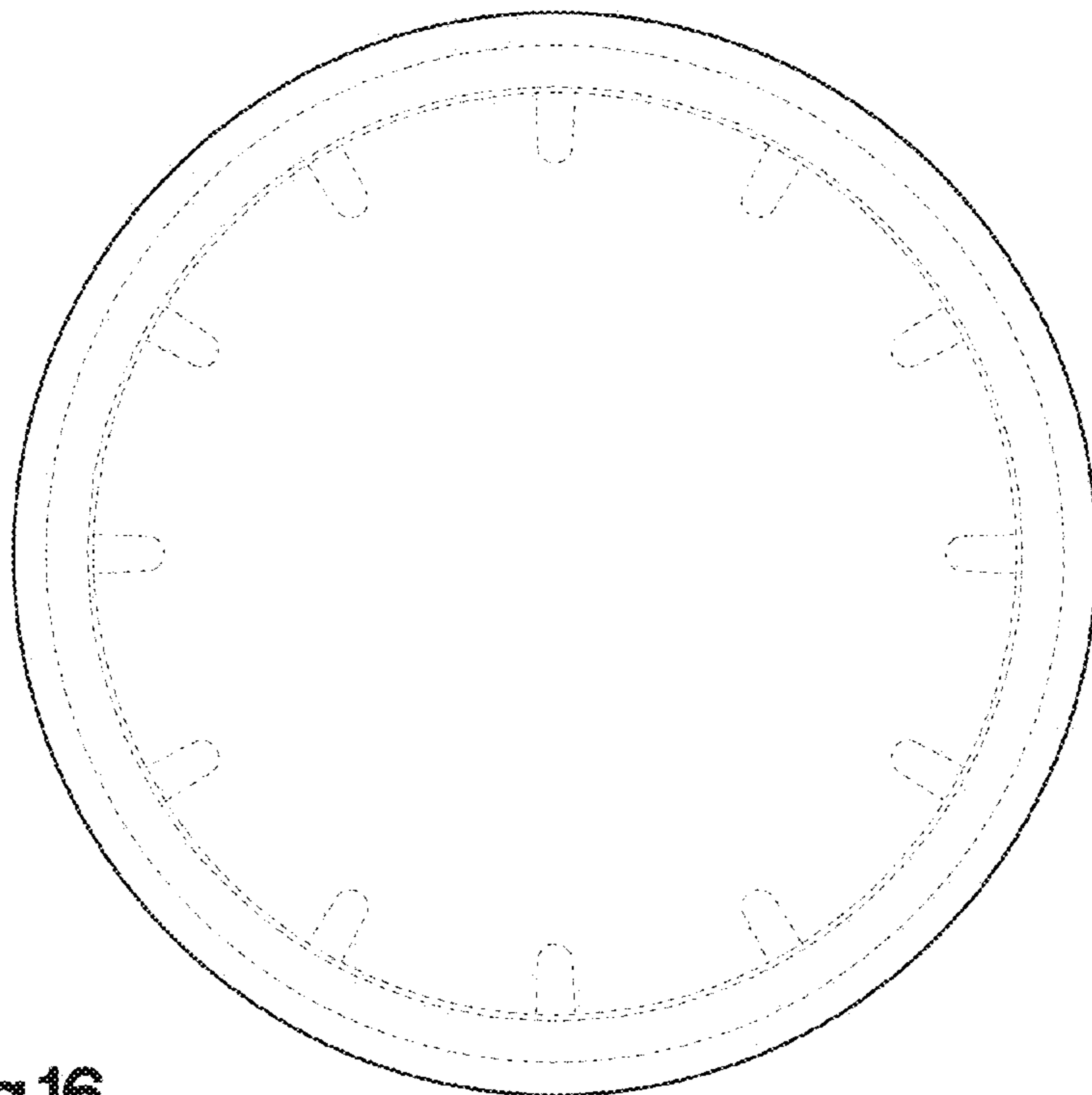


Fig.16