



US00D756774S

(12) **United States Design Patent**
McWilliams

(10) **Patent No.:** **US D756,774 S**

(45) **Date of Patent:** **** May 24, 2016**

(54) **SCREW CAP WITH TABS**

(71) Applicant: **Brian McWilliams**, Powell, TN (US)

(72) Inventor: **Brian McWilliams**, Powell, TN (US)

(**) Term: **14 Years**

(21) Appl. No.: **29/499,461**

(22) Filed: **Aug. 15, 2014**

(51) **LOC (10) Cl.** **09-07**

(52) **U.S. Cl.**
USPC **D9/443**

(58) **Field of Classification Search**
USPC D9/434-436, 438, 443-450, 452-454,
D9/499; D7/387, 392, 393, 396.2, 510,
D7/511; D3/202, 294, 318; 215/28, 41,
215/201, 216, 224, 230, 235, 237, 243, 249,
215/256, 306, 316, 317, 396; 220/252,
220/254.1, 254.2-254.4, 258.2, 263, 367.1,
220/375, 711, 724, 730, 731, 837, 847;
222/109, 153.1, 153.11, 153.14, 464.1,
222/498, 546, 547, 562, 565, 566, 570, 621
CPC A61J 1/1412; B65D 1/02; B65D 1/323;
B65D 25/40; B65D 41/56; B65D 41/62;
B65D 47/06; B65D 47/08
See application file for complete search history.

(56) **References Cited**

U.S. PATENT DOCUMENTS

4,569,456 A * 2/1986 Weiler B65D 41/58
215/251
D327,408 S * 6/1992 Fulton D8/300

D351,793 S * 10/1994 Stoller D9/443
D367,613 S * 3/1996 Weiler D24/224
D453,898 S * 2/2002 Barnes D8/307
D578,391 S * 10/2008 Larkin D9/443
D613,160 S * 4/2010 Ablo D9/436
D615,406 S * 5/2010 Leventhal D9/443
D617,194 S * 6/2010 Jones D9/434
D621,706 S * 8/2010 Breckan D9/443
D636,632 S * 4/2011 Bergne D7/393
D715,147 S * 10/2014 Ginzburg D9/449
D727,726 S * 4/2015 Friedman D9/443

* cited by examiner

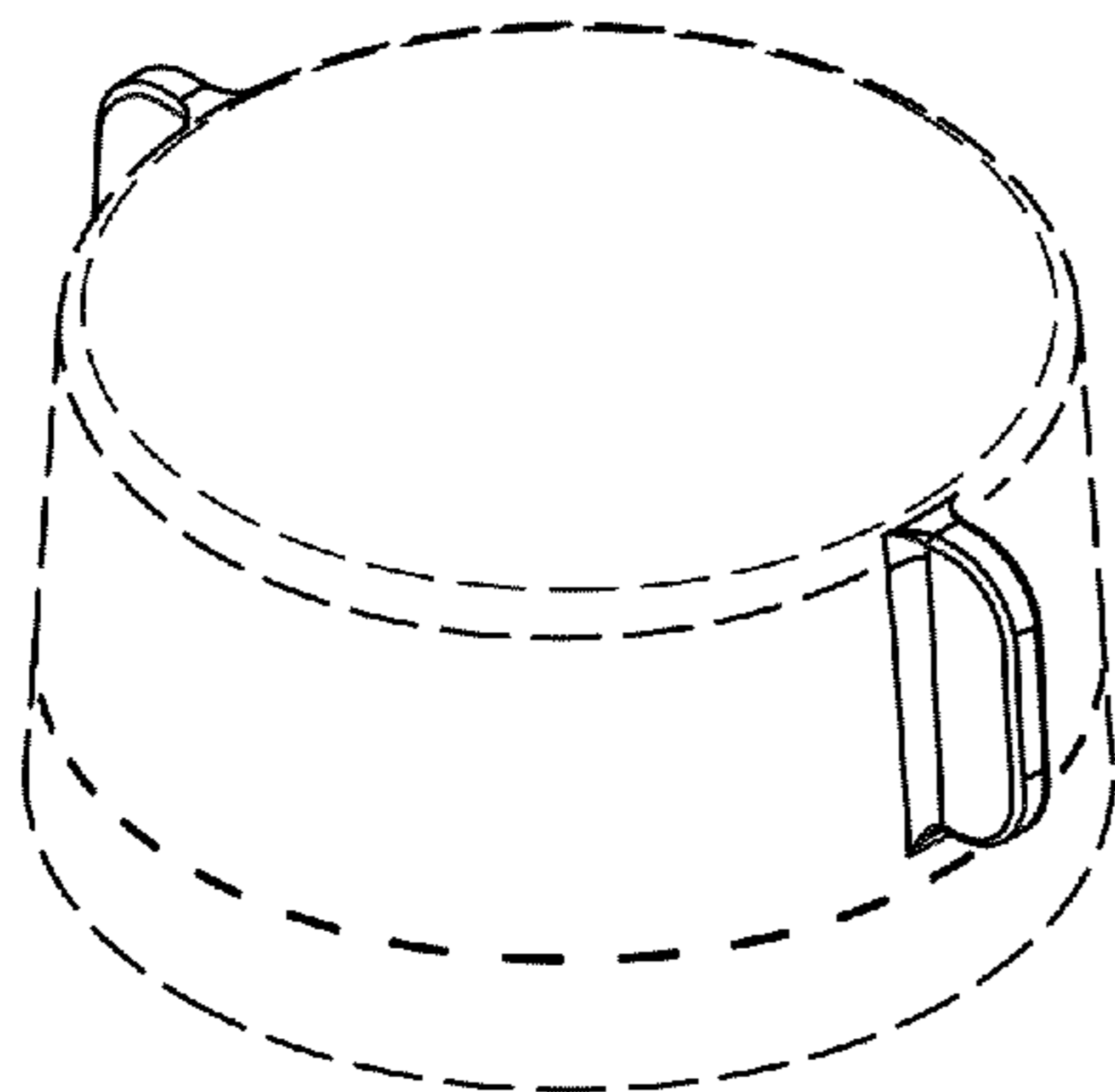
Primary Examiner — Karen S Acker
Assistant Examiner — Wendy Arminio
(74) *Attorney, Agent, or Firm* — Robinson IP Law, PLLC

(57) **CLAIM**
The ornamental design for a screw cap with tabs, as shown and described.

DESCRIPTION

FIG. 1 is a perspective view of the screw cap with tabs of my new design;
FIG. 2 is a top view of the screw cap with tabs of my new design;
FIG. 3 is a front view of the screw cap with tabs of my new design, with a back view being identical to the front view; and,
FIG. 4 is a bottom perspective view of the screw cap with tabs of my new design.
The broken lines depict portions of the screw cap with tabs that form no part of the claimed design.

1 Claim, 4 Drawing Sheets



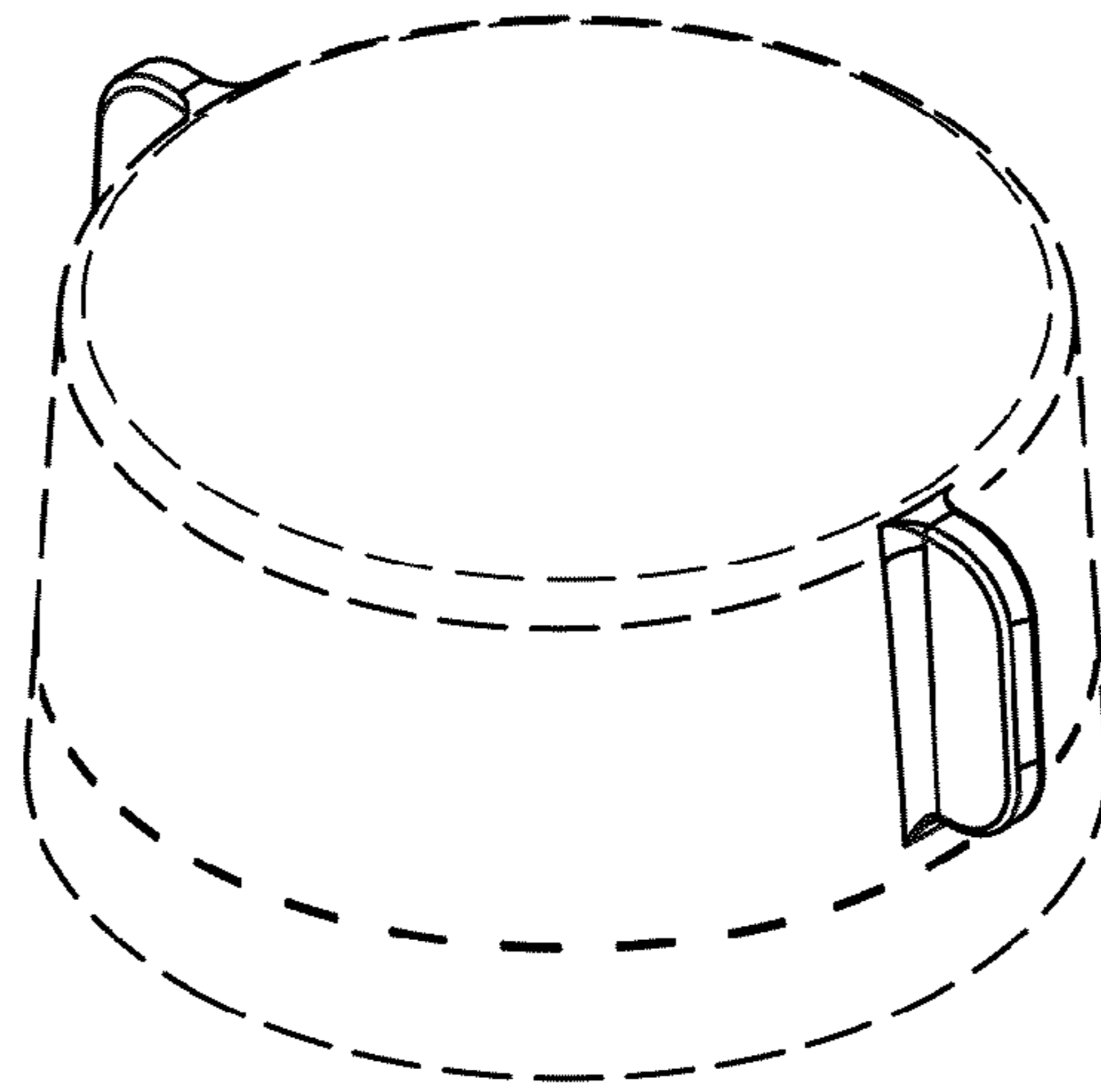


FIG. 1

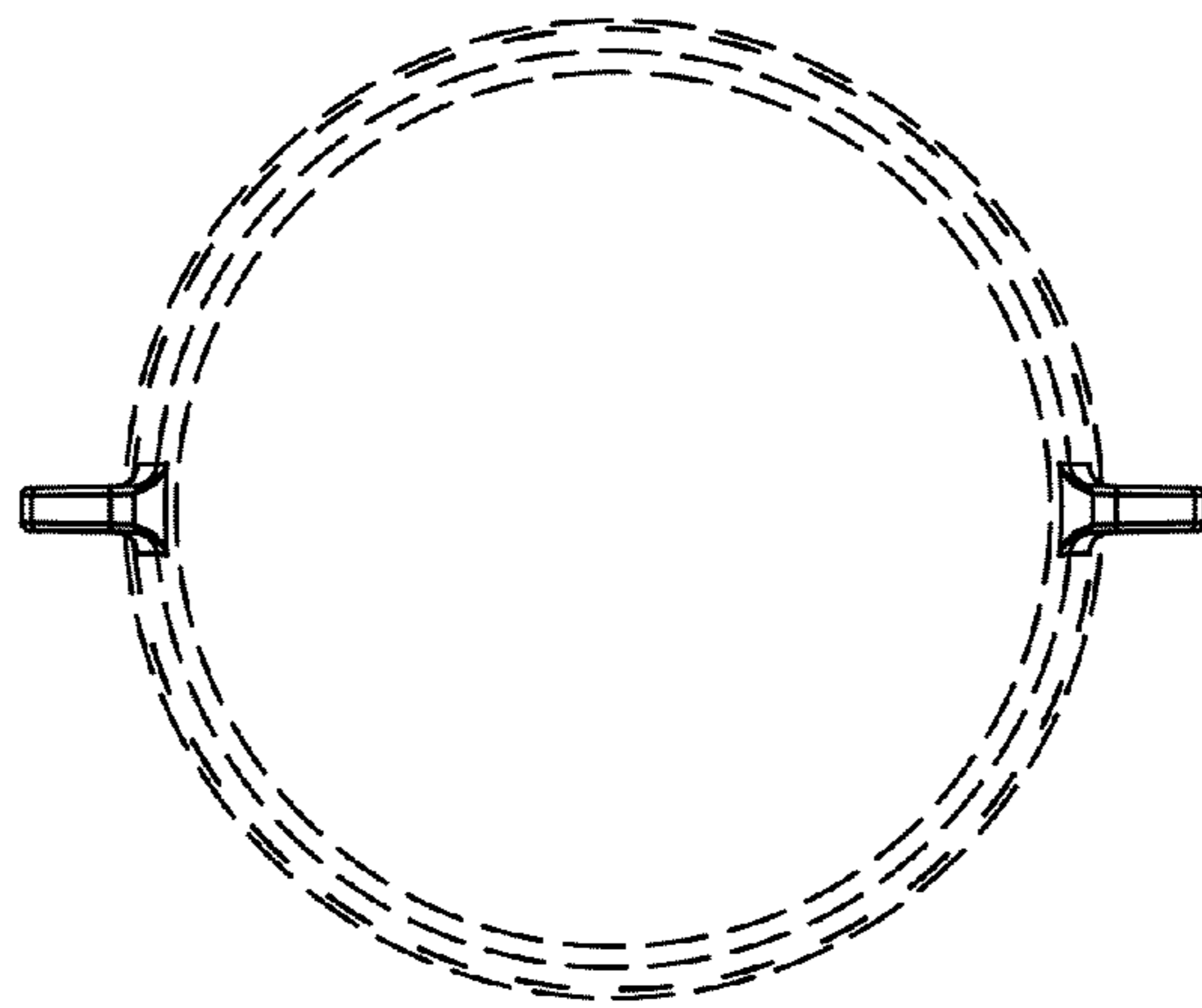


FIG. 2



FIG. 3

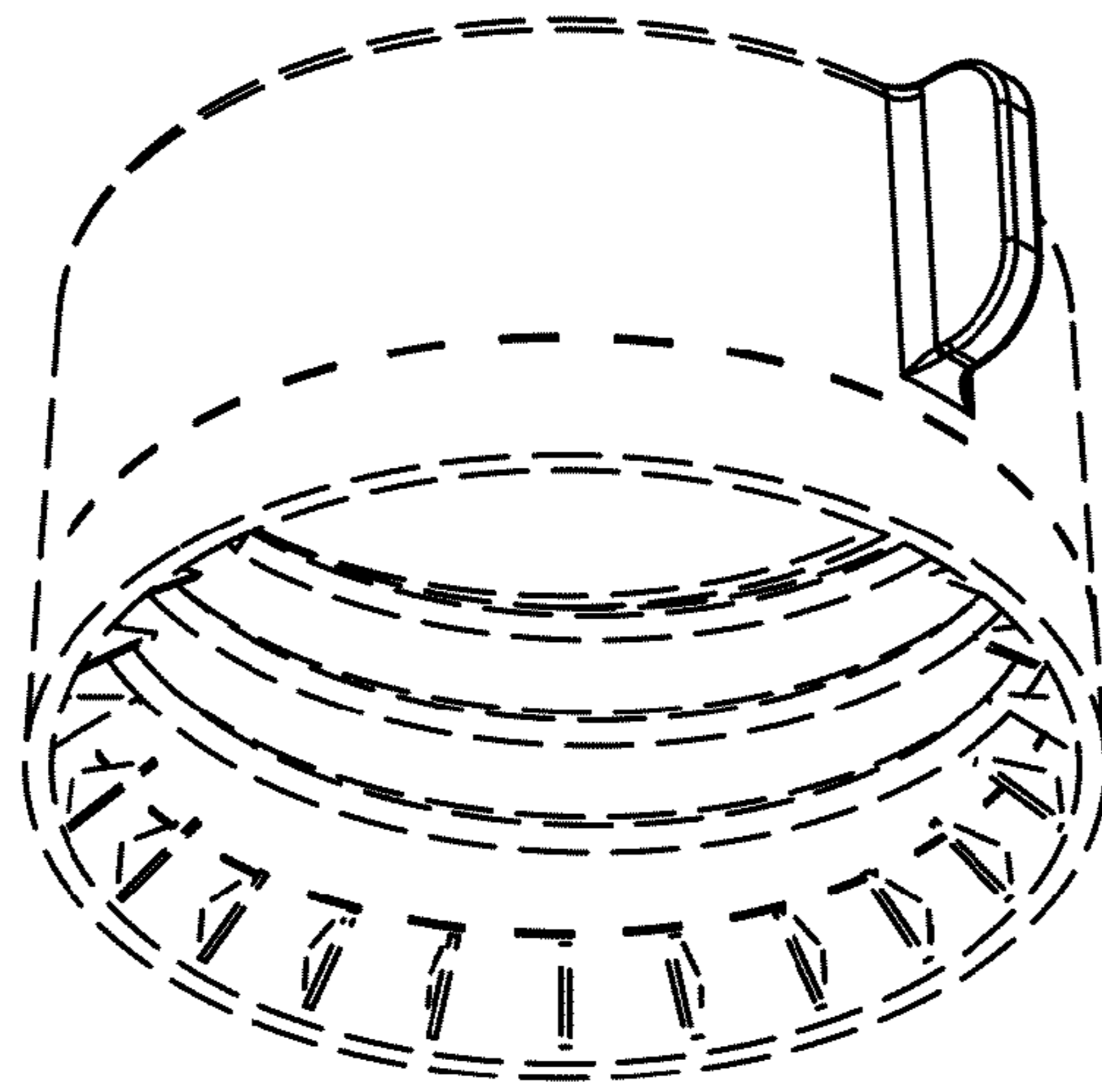


FIG. 4