

US00D756773S

(12) **United States Design Patent**  
**Brannock**

(10) **Patent No.:** **US D756,773 S**  
(45) **Date of Patent:** **\*\* May 24, 2016**

(54) **LID WITH TEAR LINE**

FOREIGN PATENT DOCUMENTS

(71) Applicant: **Harl-Bella Holdings, LLC**, San Juan Capistrano, CA (US)

AU 2007100927 A4 11/2007  
CA 1236426 5/1988

(Continued)

(72) Inventor: **Samuel Lincoln Brannock**, San Juan Capistrano, CA (US)

OTHER PUBLICATIONS

(73) Assignee: **Harl-Bella Holdings, LLC**, San Juan Capistrano, CA (US)

Tree Hugger. Cuppow! Your Ticket to Fast Coffee in Cheap and Cheerful Mason Jars. Jan. 10, 2012 [online], [site visited Feb. 10, 2016]. Available from Internet, <URL:http://www.treehugger.com/green-home/cuppow-your-ticket-fast-coffee-cheap-and-cheerful-mason-jars.html>.\*

(\*\*) Term: **15 Years**

(Continued)

(21) Appl. No.: **29/526,890**

(22) Filed: **May 13, 2015**

*Primary Examiner* — Robert M Spear  
*Assistant Examiner* — Darcey E Heflin

**Related U.S. Application Data**

(74) *Attorney, Agent, or Firm* — Fish & Tsang LLP

(63) Continuation-in-part of application No. 13/962,878, filed on Aug. 8, 2013, now Pat. No. 8,819,938.

(51) **LOC (10) Cl.** ..... **09-07**

(52) **U.S. Cl.**  
USPC ..... **D9/438; D9/447**

(58) **Field of Classification Search**  
USPC ..... D7/392.1; D9/434-436, 440, 443-445,  
D9/447, 452, 454, 499, 503, 741; 215/355;  
220/705, 711, 713

CPC ..... B65D 2543/00046; B65D 51/1677  
See application file for complete search history.

(57) **CLAIM**

I claim the ornamental design for a lid with tear line, as shown and described.

**DESCRIPTION**

FIG. 1 is a top, rear, right side perspective view.  
FIG. 2 is a front elevation view.  
FIG. 3 is a rear elevation view.  
FIG. 4 is a left side elevation view, the right side elevation being a mirror image  
FIG. 5 is a top plan view.  
FIG. 6 is a bottom plan view.  
FIG. 7 is a cross section view taken in the direction of line 7-7 of FIG. 3; and,  
FIG. 8 is an enlarged view of section 8 of FIG. 1.  
In the drawings, the broken lines depict environmental subject matter only that forms no part of the claim.

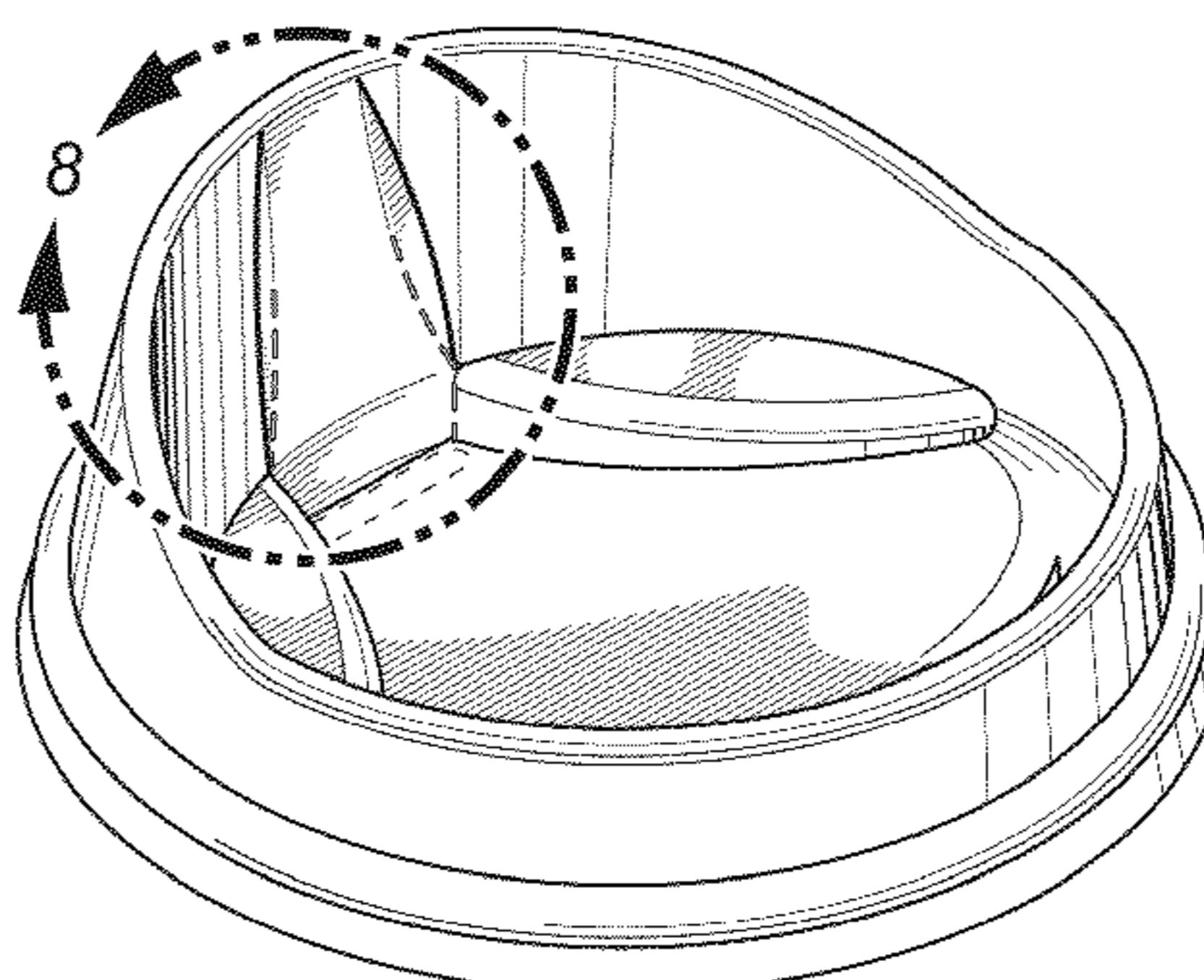
(56) **References Cited**

U.S. PATENT DOCUMENTS

562,440 A	6/1896	Vanderall
1,648,512 A	11/1927	Stock
2,003,657 A	6/1935	Stubblefield
2,600,478 A	6/1952	Campomar
2,646,670 A	7/1953	Spalding
2,661,889 A	12/1953	Phinney
2,753,049 A	7/1956	Gaines
3,090,542 A	5/1963	Miller
3,302,858 A	2/1967	Miller

(Continued)

**1 Claim, 3 Drawing Sheets**



(56)

References Cited

U.S. PATENT DOCUMENTS

3,341,062 A	9/1967	Phillips	D362,156 S	9/1995	Goto
3,727,808 A	4/1973	Fitzgerald	D365,247 S	12/1995	Sokolski
3,730,399 A	5/1973	Dibrell	5,490,609 A	2/1996	Lane
3,777,968 A	12/1973	Law	D369,109 S	4/1996	Proshan
3,800,999 A	4/1974	Serritella	5,503,289 A	4/1996	Fox
3,806,023 A	4/1974	Barnett	5,540,350 A	7/1996	Lansky
3,860,162 A	1/1975	Schutz	D373,927 S	9/1996	Kramer
3,868,043 A	2/1975	Freemyer	5,613,619 A	3/1997	Van Melle
3,895,743 A	7/1975	Christian	D380,678 S	7/1997	Borgstede et al.
3,920,146 A	11/1975	Baller	D382,203 S	8/1997	Fonville
3,938,695 A	2/1976	Ruff	5,699,927 A	12/1997	Lane
3,977,559 A	8/1976	Lombardi	5,706,972 A	1/1998	Sousa
3,977,562 A	8/1976	Wedzik	D390,465 S	2/1998	Frye
D242,023 S	10/1976	Hunt	5,799,814 A	9/1998	Schaefer
3,994,411 A	11/1976	Elfelt	5,820,016 A	10/1998	Stropkay
4,056,210 A	11/1977	Boyle	5,839,601 A	11/1998	Van Melle
4,081,103 A	3/1978	Zoellick	D402,556 S *	12/1998	Frye ..... D9/447
4,085,861 A	4/1978	Ruff	5,897,019 A	4/1999	Stropkay
4,090,660 A	5/1978	Schram	5,911,331 A	6/1999	Boller
4,106,660 A	8/1978	Boyle	5,947,323 A	9/1999	Freek
4,113,135 A	9/1978	Yamazaki	5,979,689 A	11/1999	Lansky
4,138,033 A	2/1979	Payne	6,076,450 A	6/2000	DiGiorgio, Jr.
4,141,462 A	2/1979	Rucci	6,089,397 A	7/2000	Van Melle
4,183,443 A	1/1980	DeParales	6,102,236 A	8/2000	Ohlsson
4,184,604 A	1/1980	Amberg	6,138,854 A	10/2000	Kaneko
4,202,459 A	5/1980	DeParales	D438,064 S	2/2001	Indekeu
4,210,272 A	7/1980	Sequin	6,199,711 B1	3/2001	Lansky
4,215,793 A	8/1980	Packard	D447,412 S	9/2001	Durdon
D256,887 S	9/1980	Swade	D450,583 S	11/2001	Freed
D256,888 S	9/1980	Swade	6,311,863 B1	11/2001	Fleming
D256,889 S	9/1980	Swade	6,375,033 B1	4/2002	Fleming
4,245,752 A	1/1981	Prueher	6,378,718 B1	4/2002	Maggi
4,253,582 A	3/1981	Shields	6,419,105 B1	7/2002	Bruce
D259,403 S	6/1981	Frazier, Jr.	6,419,112 B1	7/2002	Bruce
4,285,442 A	8/1981	Wedzik	6,488,170 B1	12/2002	Johnson
4,319,691 A	3/1982	Hament	6,505,753 B1	1/2003	Freek
4,322,014 A	3/1982	Philip	D470,008 S	2/2003	Trombly
4,322,015 A	3/1982	Bailey	D473,791 S	4/2003	Loris
4,331,255 A	5/1982	Fournier	6,553,696 B1	4/2003	Foster, Sr.
4,350,260 A	9/1982	Prueher	6,578,726 B1	6/2003	Schaefer et al.
4,361,249 A	11/1982	Tuneski	6,612,456 B1	9/2003	Hundley
D267,633 S	1/1983	Christian	D490,709 S	6/2004	Bezek
4,412,629 A	11/1983	Dart	D493,718 S	8/2004	Durdon
D271,857 S	12/1983	Callahan	6,783,019 B2	8/2004	Zettle
D274,502 S	7/1984	Little	D499,306 S	12/2004	Laib
4,473,167 A	9/1984	Bailey	6,889,859 B1	5/2005	Leon
4,489,848 A	12/1984	Braude	6,889,860 B2	5/2005	Mazzarolo
4,502,608 A	3/1985	Mills	6,929,143 B2	8/2005	Mazzarolo
4,503,992 A	3/1985	Sitko	6,948,633 B2	9/2005	Freek
4,518,096 A	5/1985	Winstead	D522,858 S	6/2006	Snedden et al.
4,566,605 A	1/1986	Rogers	D525,826 S	8/2006	Kugler
4,574,970 A	3/1986	Schwarz	D527,219 S	8/2006	Trombly
4,582,214 A	4/1986	Dart	7,100,790 B2	9/2006	Dark
4,619,372 A	10/1986	McFarland	7,134,569 B2	11/2006	Freek
4,627,537 A	12/1986	Rogers	7,134,570 B1	11/2006	Heath
4,670,352 A	6/1987	Kurz	D533,778 S	12/2006	Hollis
4,738,373 A	4/1988	DeParales	7,168,589 B2	1/2007	Dark
4,747,509 A	5/1988	Florkiewicz	D536,923 S	2/2007	Roth et al.
4,753,365 A	6/1988	Seppala	D539,646 S	4/2007	Hollis
4,760,934 A	8/1988	Netsch	D540,112 S	4/2007	Nichols et al.
D299,010 S	12/1988	Wall	D540,165 S	4/2007	Hollis
4,818,461 A	4/1989	Batson	D540,166 S	4/2007	Hollis
4,828,137 A	5/1989	Batson	D540,672 S	4/2007	Hollis
4,877,391 A	10/1989	Batson	D540,673 S	4/2007	Hollis
4,898,299 A	2/1990	Herbst	D540,674 S	4/2007	Hollis
4,949,865 A	8/1990	Turner	D540,675 S	4/2007	Hollis
4,986,437 A	1/1991	Farmer	D541,153 S	4/2007	Hollis
5,090,584 A	2/1992	Roberts	D541,650 S	5/2007	Hollis
5,143,248 A	9/1992	Sawatsky	D541,651 S	5/2007	Hollis
5,150,816 A	9/1992	DeCastro	D544,793 S	6/2007	Hollis
5,197,624 A	3/1993	Dodaro	D547,605 S	7/2007	Edelstein et al.
D355,846 S	2/1995	Denney	7,275,652 B2	10/2007	Morris
5,390,810 A	2/1995	Stroble	D556,573 S	12/2007	Hollis
5,392,949 A	2/1995	McKenna	D556,574 S	12/2007	Hollis
5,431,276 A	7/1995	Lialin	D563,167 S	3/2008	Snedden et al.
			D563,728 S	3/2008	Welch, III
			D565,409 S *	4/2008	Cole ..... D9/449
			D570,213 S	6/2008	Newman
			D570,685 S	6/2008	Koennecke



(56)

References Cited

U.S. PATENT DOCUMENTS

D570,686 S 6/2008 Hollis  
 7,484,638 B2 2/2009 Mazzarolo  
 D612,237 S 3/2010 Richey  
 D612,687 S 3/2010 Gilbert  
 D615,413 S 5/2010 Gilbert  
 D622,103 S 8/2010 Gilbert  
 D625,183 S \* 10/2010 Bartsch ..... D9/434  
 D627,192 S 11/2010 Gilbert  
 D631,348 S 1/2011 Weiss et al.  
 D632,132 S 2/2011 George  
 D632,174 S 2/2011 Charbonnet  
 D637,079 S 5/2011 Brown et al.  
 7,954,659 B2 6/2011 Zuares  
 7,959,028 B2 6/2011 Leon  
 D652,718 S 1/2012 Caldwell et al.  
 8,113,379 B2 2/2012 Cai  
 D661,186 S 6/2012 Snyder  
 D662,354 S 6/2012 Bodum  
 8,272,318 B2 9/2012 Skalski  
 D691,416 S 10/2013 Eyal  
 D692,277 S 10/2013 Smiedt et al.  
 D696,942 S \* 1/2014 Kim ..... D9/447  
 D696,943 S 1/2014 Kim  
 D704,054 S 5/2014 Fleming  
 D704,055 S 5/2014 Fleming  
 D705,058 S 5/2014 Kim  
 D716,654 S \* 11/2014 Dubitsky ..... D9/435  
 D716,656 S \* 11/2014 Carregui ..... D9/440  
 D720,615 S \* 1/2015 Panone ..... D9/447  
 D734,152 S \* 7/2015 Hager ..... D9/447  
 D737,139 S \* 8/2015 Sokoly ..... D9/435  
 2002/0074337 A1 6/2002 Melton  
 2002/0100757 A1 8/2002 Shih  
 2003/0089713 A1 5/2003 Belt  
 2003/0089714 A1 5/2003 Dart  
 2003/0168455 A1 9/2003 Zettle  
 2004/0195239 A1 10/2004 Rush  
 2005/0224495 A1 10/2005 Kartinian  
 2007/0012709 A1 1/2007 Durdon  
 2007/0045316 A1 3/2007 Arnljots  
 2007/0075079 A1 4/2007 Stokes  
 2007/0075081 A1 4/2007 Stokes  
 2007/0114236 A1 5/2007 Shiffer  
 2007/0251948 A1 11/2007 Baker  
 2008/0000921 A1 1/2008 Leon  
 2008/0041862 A1 2/2008 Bal  
 2008/0047966 A1 2/2008 Carson  
 2008/0061069 A1 3/2008 Edelstein  
 2008/0105696 A1 5/2008 Dart  
 2008/0217345 A1 9/2008 Hansen  
 2009/0026219 A1 1/2009 Bal  
 2009/0250479 A1 10/2009 Kaufman  
 2009/0266829 A1 10/2009 Bailey  
 2010/0012657 A1 1/2010 Levey  
 2010/0059535 A1 3/2010 Syrkos  
 2010/0206874 A1 8/2010 Masurier  
 2010/0243652 A1 9/2010 Richey  
 2010/0252555 A1 10/2010 Syed  
 2010/0288768 A1 11/2010 Booth  
 2010/0288827 A1 11/2010 Booth  
 2010/0301048 A1 12/2010 Tokunaga  
 2011/0062158 A1 3/2011 Hung  
 2011/0100854 A1 5/2011 Chapin  
 2011/0114655 A1 5/2011 Bailey  
 2011/0155732 A1 6/2011 Sprunger  
 2011/0180560 A1 7/2011 Hung  
 2011/0233209 A1 9/2011 Tu  
 2011/0266294 A1 11/2011 Charbonnet  
 2011/0278314 A1 11/2011 Bendix  
 2011/0284564 A1 11/2011 Hsieh  
 2011/0290815 A1 12/2011 Weld  
 2012/0000923 A1 1/2012 Powell  
 2012/0152968 A1 6/2012 Bailey  
 2012/0199584 A1 8/2012 Pensak  
 2012/0205390 A1 8/2012 Portman

2012/0210880 A1 8/2012 Kolesnyk  
 2012/0219685 A1 8/2012 Radow  
 2012/0263831 A1 10/2012 Skalski  
 2013/0277379 A1 10/2013 Charbonnet  
 2014/0042177 A1 2/2014 Fleming  
 2015/0201777 A1\* 7/2015 Kim ..... A47G 19/2272  
 220/713

FOREIGN PATENT DOCUMENTS

CA 1324342 11/1993  
 CA 2031703 5/1996  
 CA 2136579 A1 5/1996  
 CA 2169339 C 5/1999  
 CA 2245369 A1 9/2000  
 CA 2622689 A1 8/2009  
 CN 1248951 A 3/2000  
 CN 2603023 Y 2/2004  
 CN 2870658 3/2006  
 CN 201068255 Y 6/2008  
 CN 201079228 7/2008  
 CN 201750772 U 2/2011  
 CN 201938947 U 8/2011  
 DE 202010005134 U1 8/2010  
 DE 202010013715 U1 12/2010  
 EP 0367483 A2 10/1989  
 EP 0398122 A1 11/1990  
 EP 427684 A2 5/1991  
 EP 2248735 A1 11/2010  
 EP 2295338 A1 3/2011  
 GB 1599589 10/1981  
 GB 2219930 A 12/1989  
 GB 2243149 A 10/1991  
 GB 2473041 A 3/2011  
 GB 2473042 A 3/2011  
 GB 2473043 A 3/2011  
 JP 09124057 A 5/1997  
 JP 09142469 A 6/1997  
 JP 2000103469 A 4/2000  
 JP 2000287808 A 10/2000  
 JP 2001206413 A 7/2001  
 JP 2004244051 A 9/2004  
 JP 2008308225 A 12/2005  
 JP 2008308224 A 12/2008  
 JP 2011255944 A 12/2011  
 KR 1020020021950 A 3/2002  
 KR 200409095 Y1 2/2006  
 KR 2020110008147 U 8/2011  
 TW 465326 U 11/2001  
 TW M318382 U 9/2007  
 TW M323449 U 12/2007  
 TW M323450 U 12/2007  
 TW M333128 U 6/2008  
 TW I298997 7/2008  
 TW 200846256 A 12/2008  
 TW M384844 U 7/2010  
 TW M386271 U 8/2010  
 TW D138422 S 1/2011  
 TW M405420 U 6/2011  
 WO WO0156899 A1 8/2001  
 WO 2004087510 A2 10/2004  
 WO 2007078265 A2 7/2007  
 WO 2008018798 A1 2/2008  
 WO 2009008587 A1 1/2009  
 WO WO2009022745 A1 2/2009  
 WO 2009126555 10/2009  
 WO 2011024012 A1 3/2011  
 WO 2011082333 7/2011  
 WO 2012104385 A1 8/2012  
 WO 2013142160 A1 9/2013  
 WO 20140042177 A1 2/2014

OTHER PUBLICATIONS

<http://www.singleservecoffee.com/archives/040040.php>, Ecotop Reusable Coffee Cup Lid, May 15, 2012.  
 The Geo Lid; Green Bean Packaging, LLC; [www.thegeolid.com](http://www.thegeolid.com); Web; 2012-2014; retrieved Jan. 2014.

\* cited by examiner

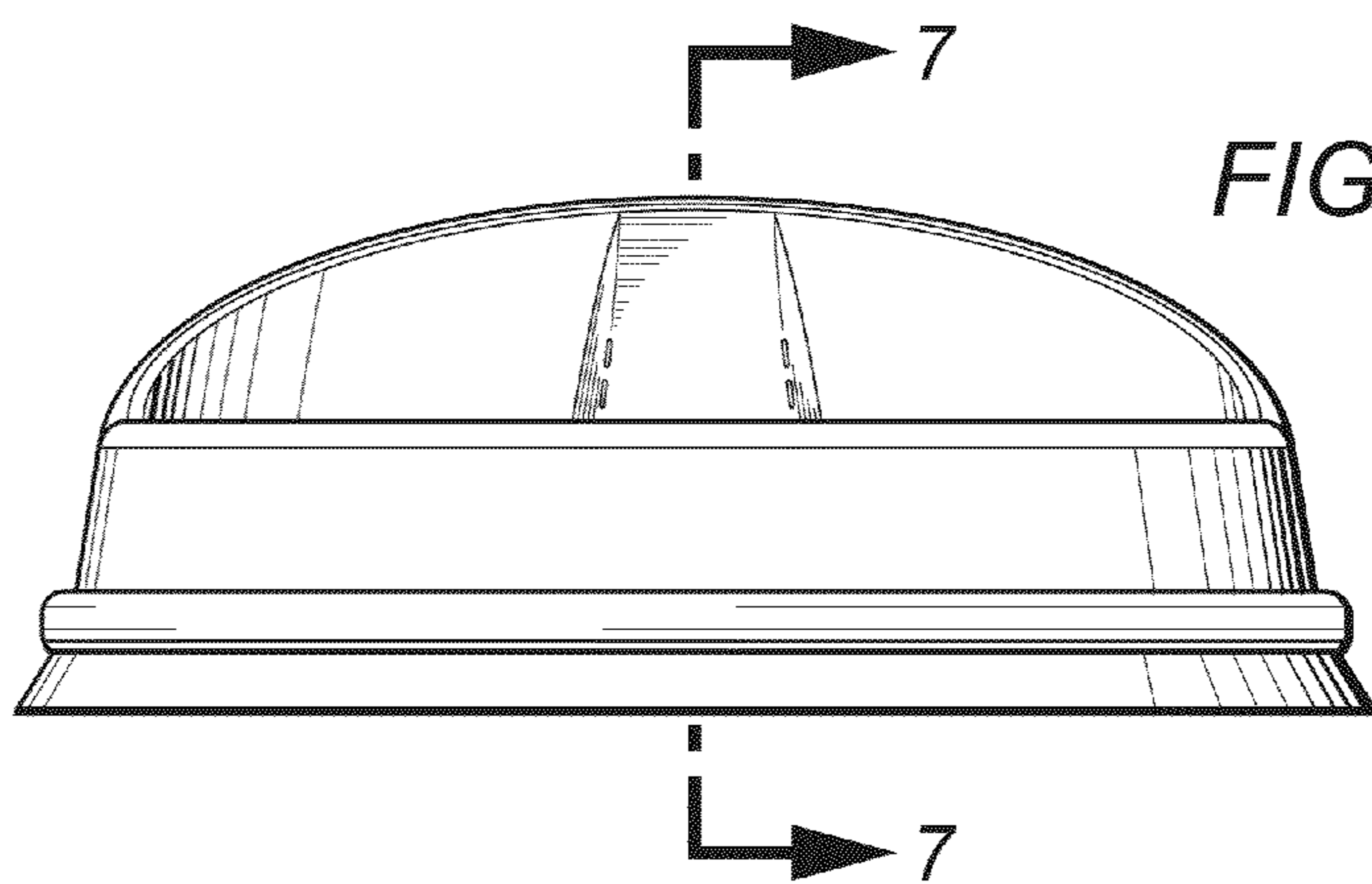
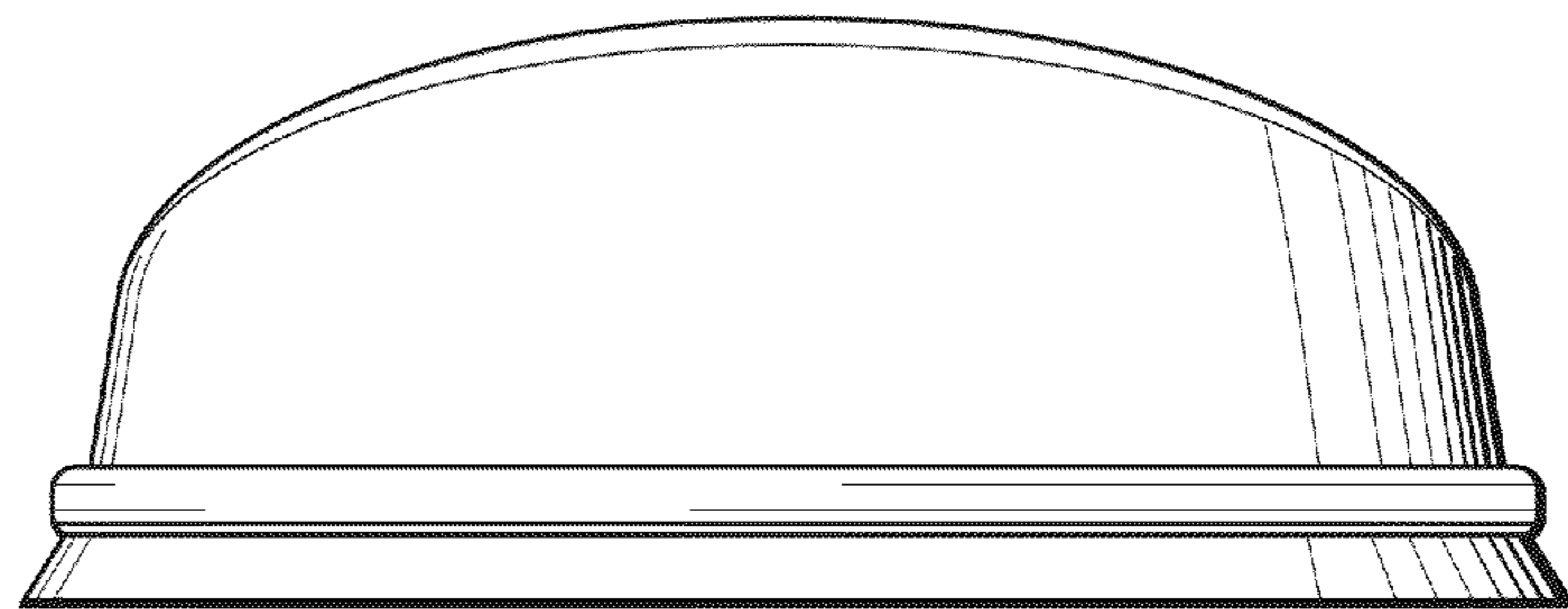
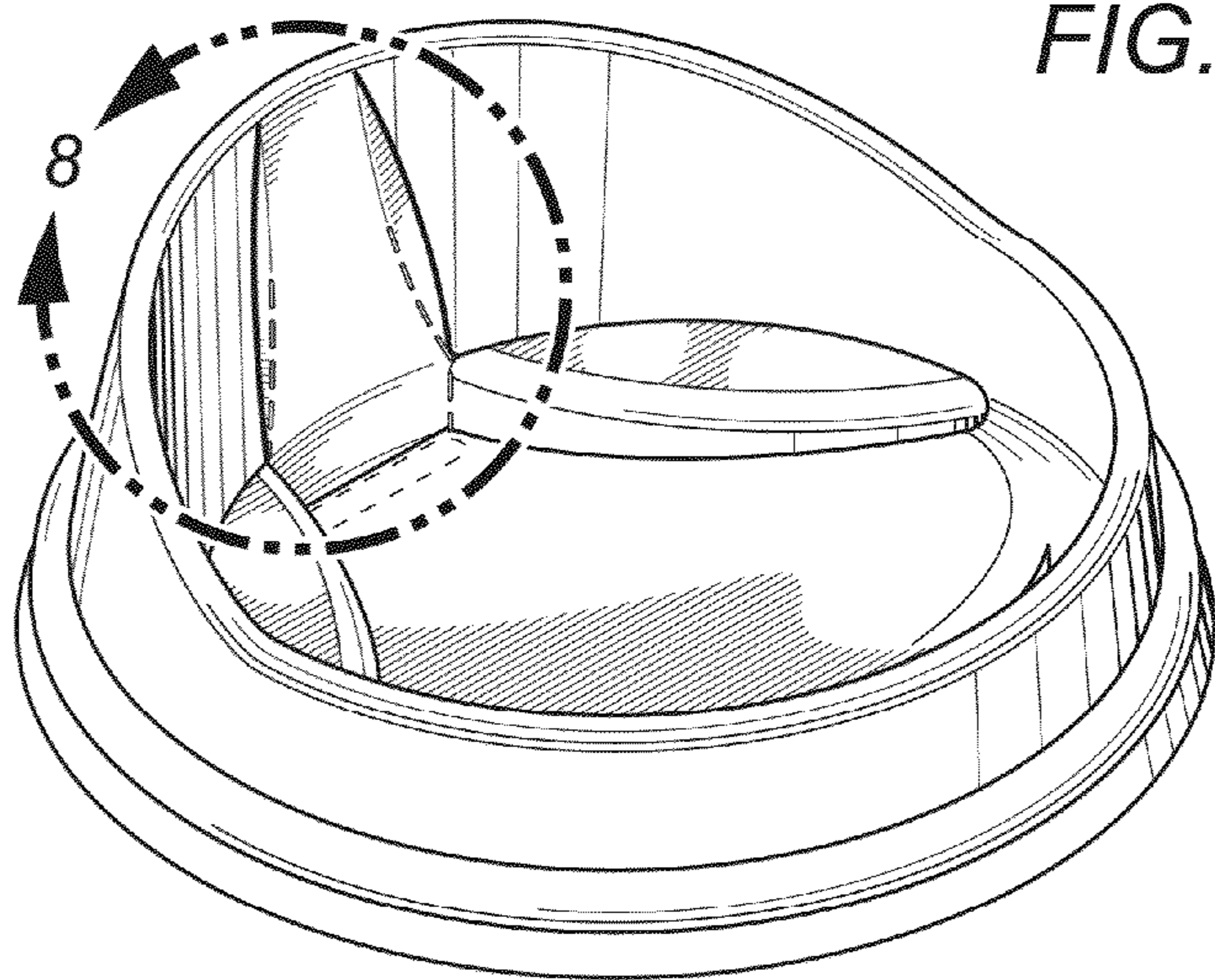




FIG. 4

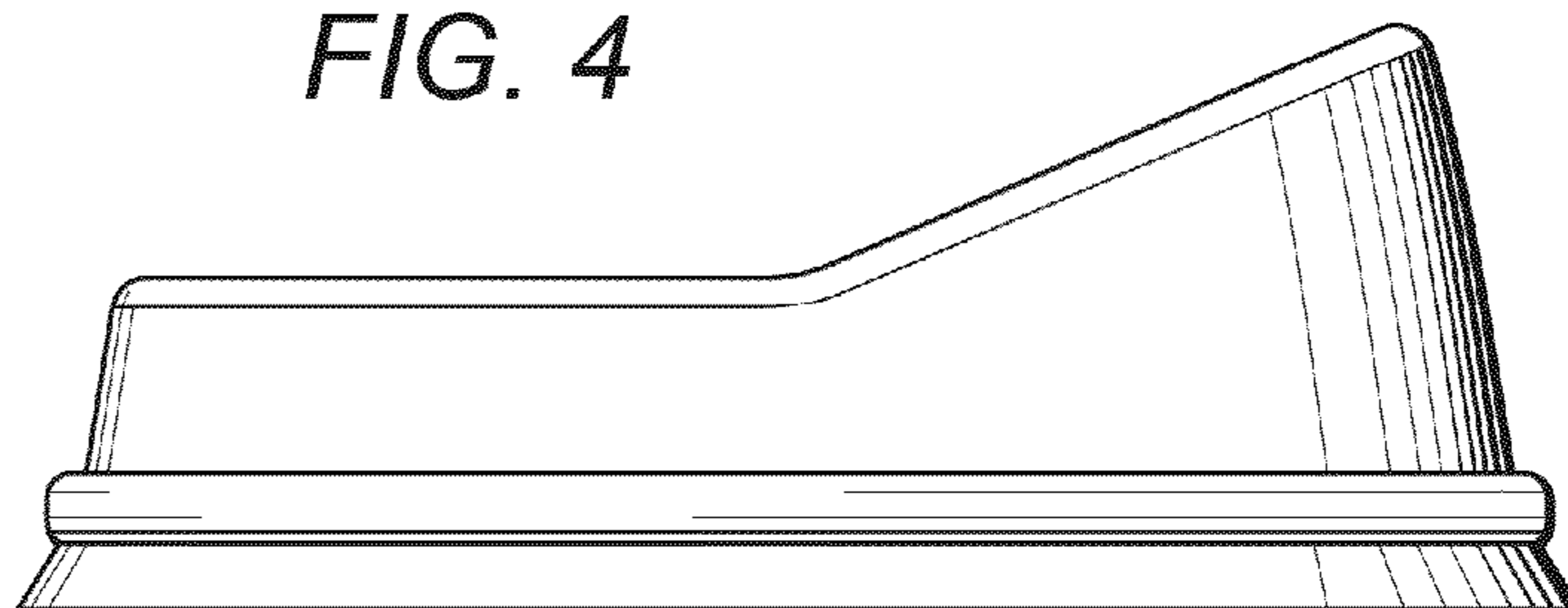


FIG. 7

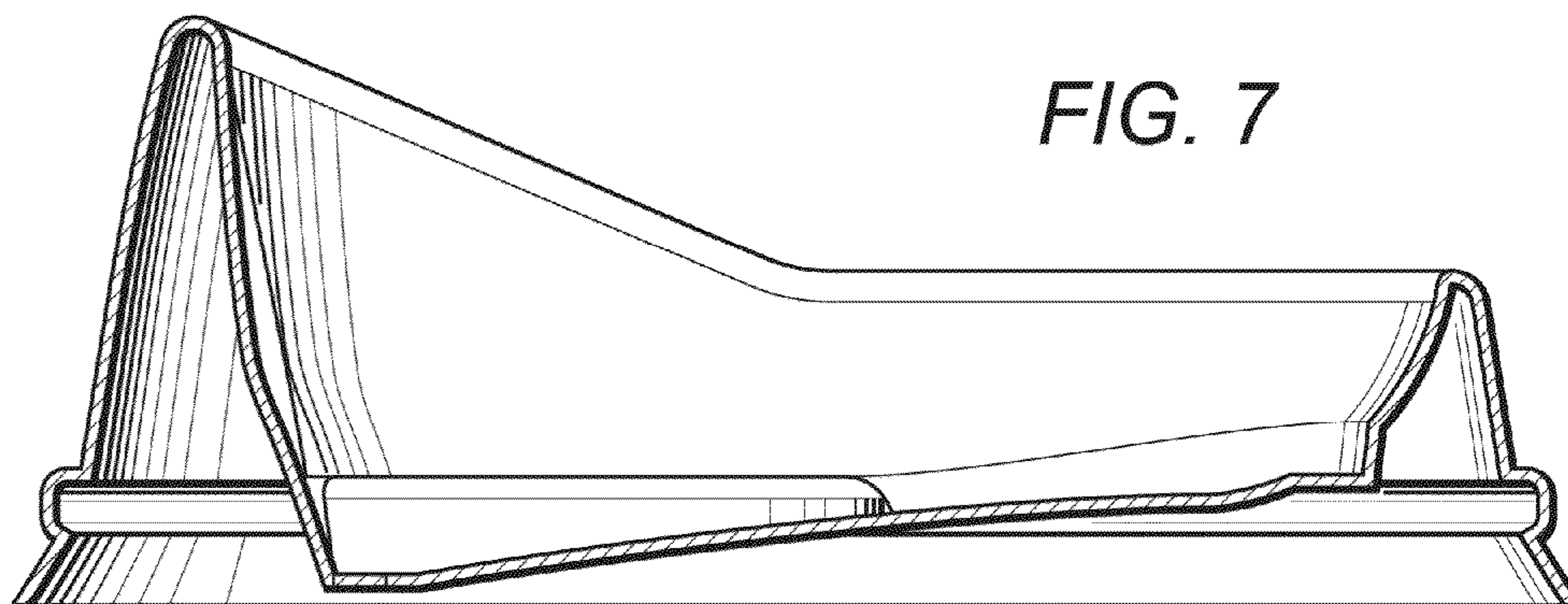
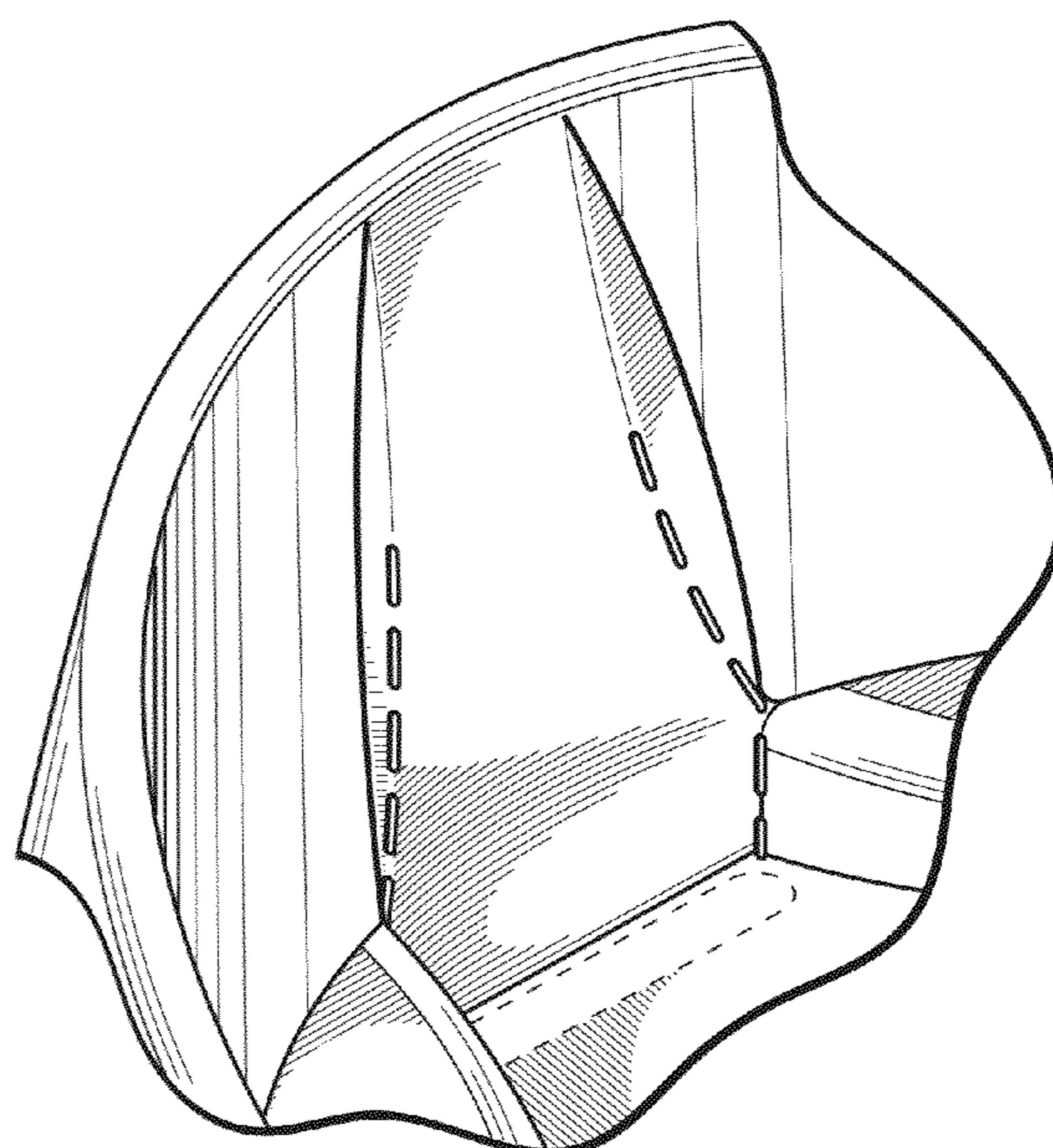


FIG. 8



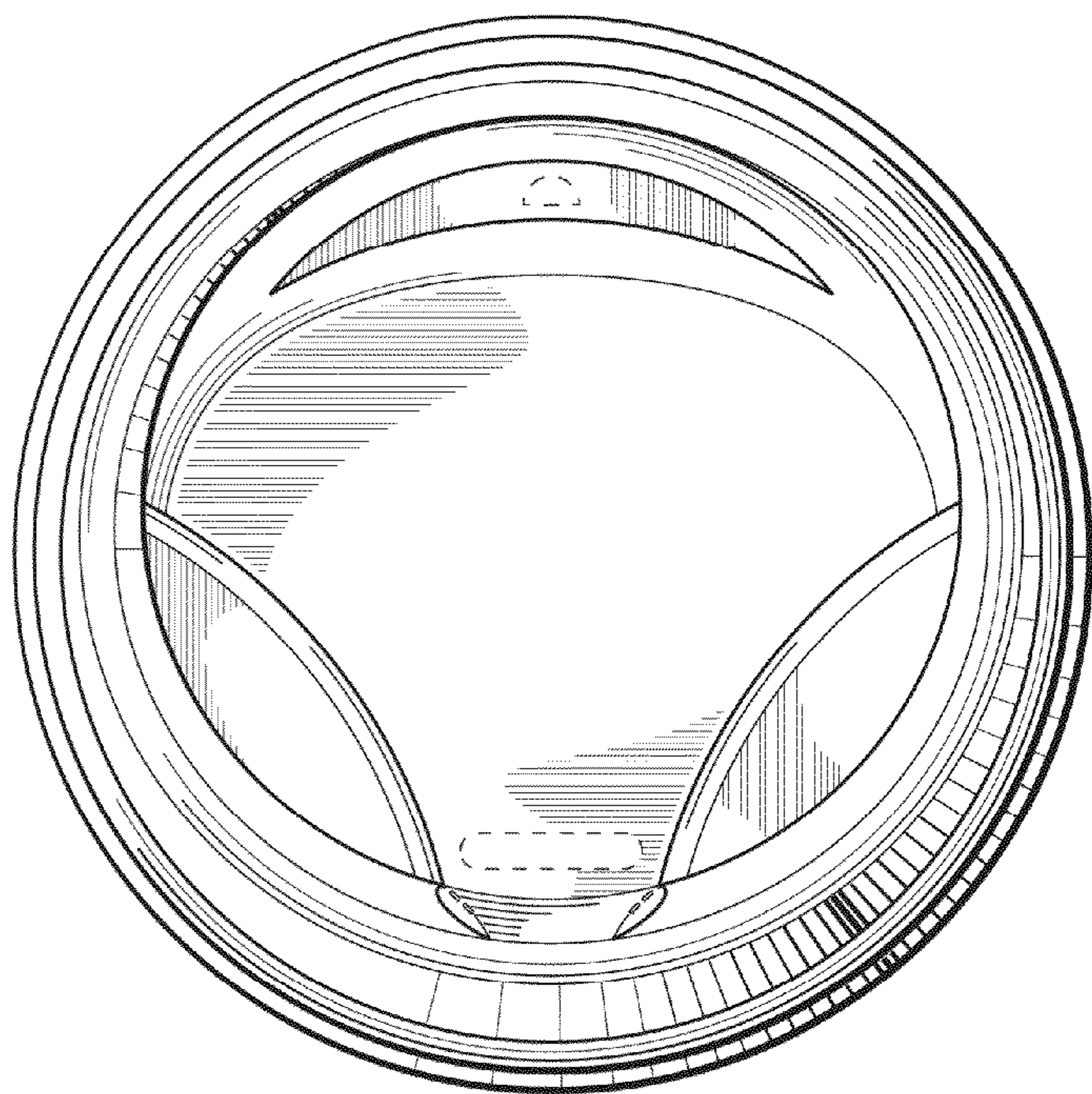


FIG. 5

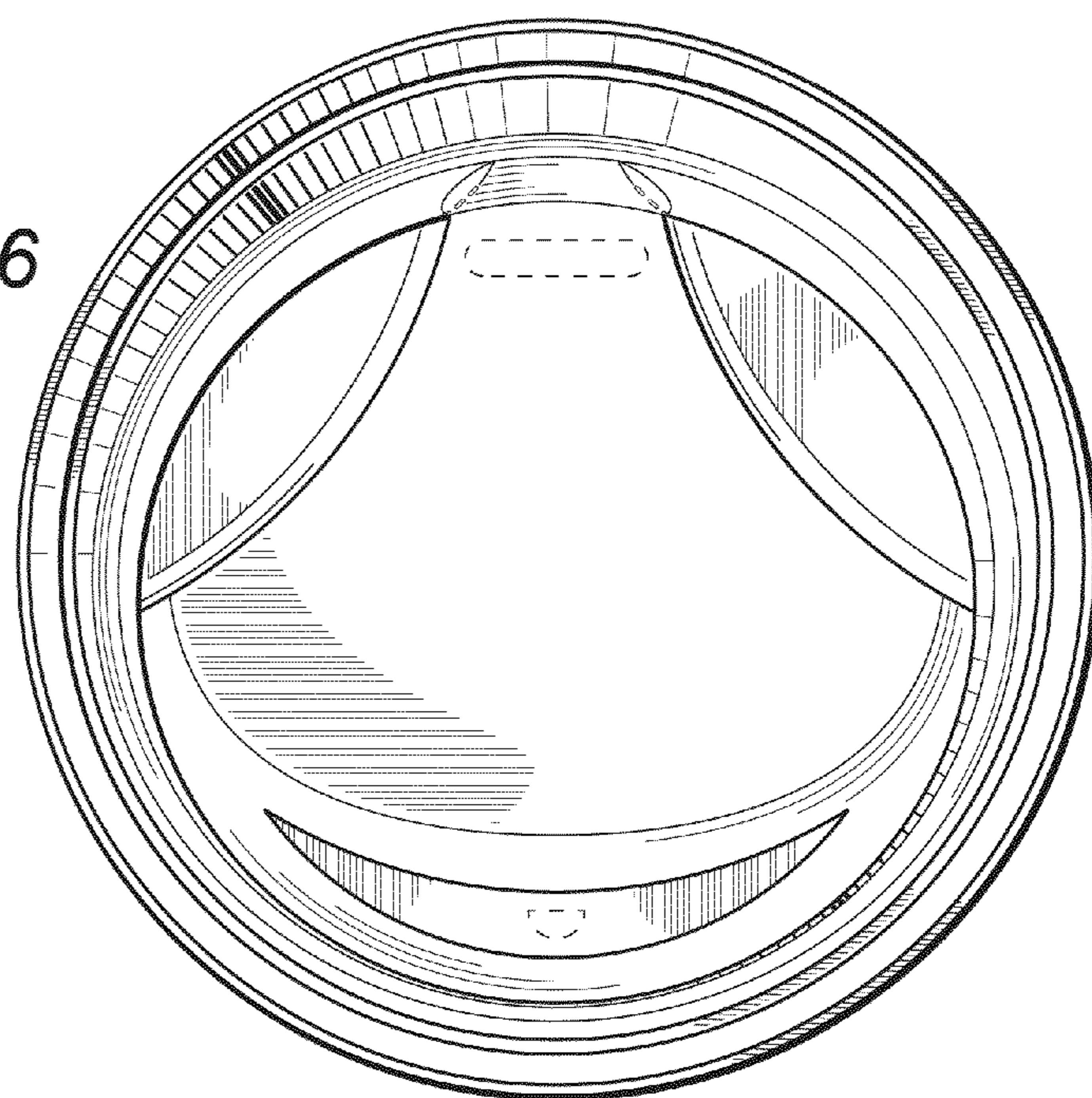


FIG. 6