



US00D756772S

(12) **United States Design Patent**
Wei

(10) **Patent No.:** **US D756,772 S**

(45) **Date of Patent:** **** May 24, 2016**

(54) **VACUUM SEALER FOR A WINE BOTTLE**

D686,496 S * 7/2013 Strauli D9/434
D715,146 S * 10/2014 Holmes D9/447
D747,200 S * 1/2016 Chiorazzi D9/440

(71) Applicant: **Honghua Wei, Zhuhai (CN)**

(72) Inventor: **Honghua Wei, Zhuhai (CN)**

(**) Term: **14 Years**

(21) Appl. No.: **29/510,960**

(22) Filed: **Dec. 4, 2014**

(51) **LOC (10) Cl.** **09-07**

(52) **U.S. Cl.**
USPC **D9/436**

(58) **Field of Classification Search**
USPC D7/387, 511; D9/434-440, 443-447,
D9/449-454, 499; D23/260; 215/200
CPC B65D 1/22
See application file for complete search history.

(56) **References Cited**

U.S. PATENT DOCUMENTS

1,140,928 A * 5/1915 Wirz B65D 51/1688
215/307
1,260,813 A * 3/1918 Rimple B65D 51/1688
215/307
3,187,794 A * 6/1965 Vissing B65D 1/22
215/200
D479,995 S * 9/2003 Duceppe D9/434
D580,756 S * 11/2008 Seebold D9/439
D595,570 S * 7/2009 Moretti D9/434
D643,721 S * 8/2011 Blinn D9/440
D678,767 S * 3/2013 Haley D9/440

OTHER PUBLICATIONS

Wine Surprise. Wine Saver—Wine Stopper Vacuum—4 Re-usable Bottle Stoppers. Mar. 31, 2009 [online], [site visited Mar. 8, 2016]. Available from Internet, <URL:http://www.winesurprise.com/products.php/item_id/wine-saver-wine-stopper-vacuum-seals>.*
FastTech. Compact Wine Bottle Vacuum Sealer with 2 Stoppers. Nov. 2013 [online], [site visited Mar. 8, 2016]. Available from Internet, <URL:https://www.fasttech.com/product/1119400-compact-wine-bottle-vacuum-sealer-with-2-stoppers>.*

* cited by examiner

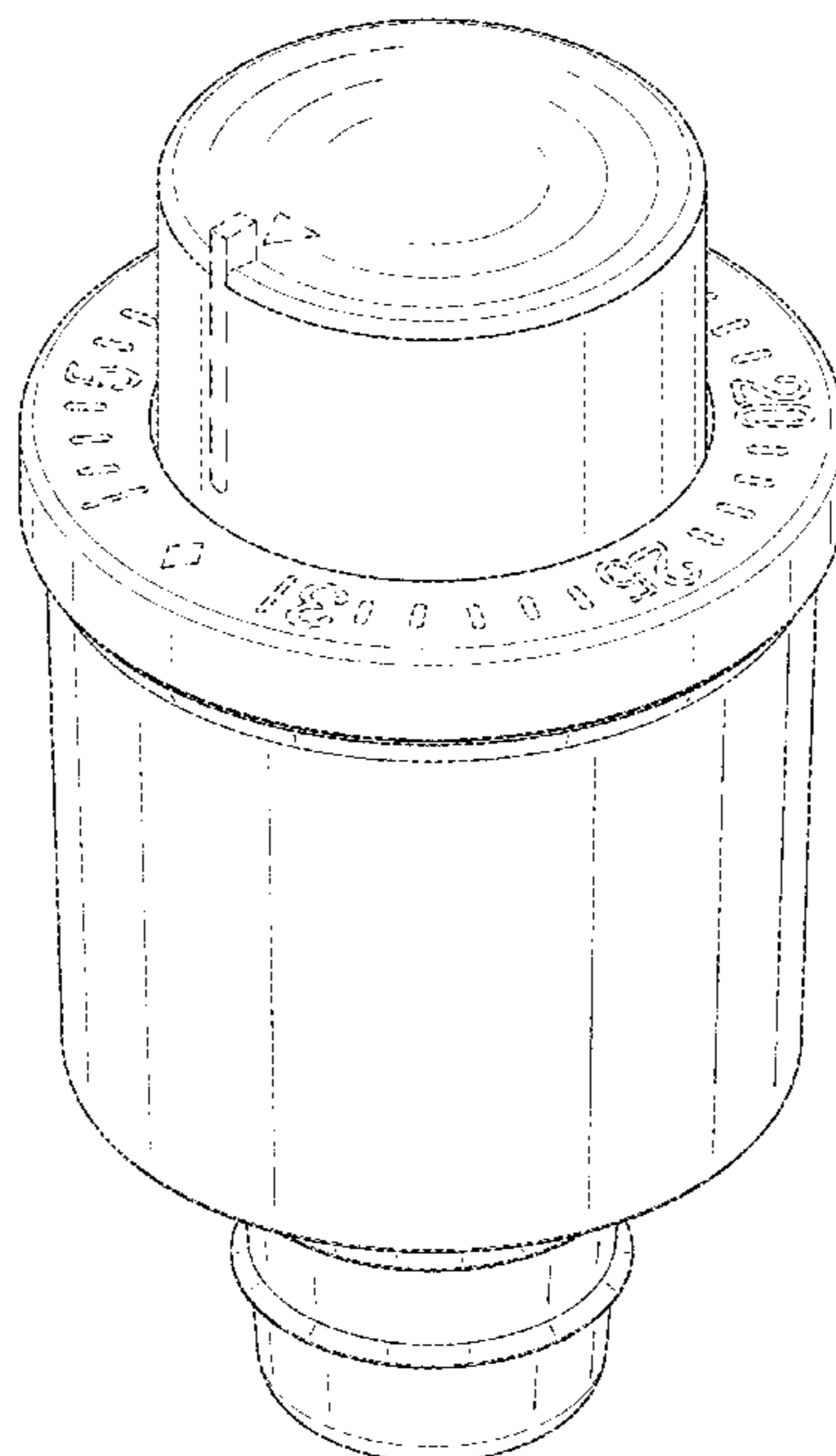
Primary Examiner — Robert M Spear
Assistant Examiner — Darcey E Heflin
(74) *Attorney, Agent, or Firm* — Myers Wolin, LLC

(57) **CLAIM**
The ornamental design for a vacuum sealer for a wine bottle, as shown and described.

DESCRIPTION

FIG. 1 is a perspective view of a vacuum sealer for a wine bottle showing my new design;
FIG. 2 is a front view thereof;
FIG. 3 is a rear view thereof;
FIG. 4 is a left side view thereof;
FIG. 5 is a right side view thereof;
FIG. 6 is a top view thereof; and,
FIG. 7 is a bottom view thereof.
In the drawings, the broken lines depict environmental subject matter only that forms no part of the claim.

1 Claim, 7 Drawing Sheets



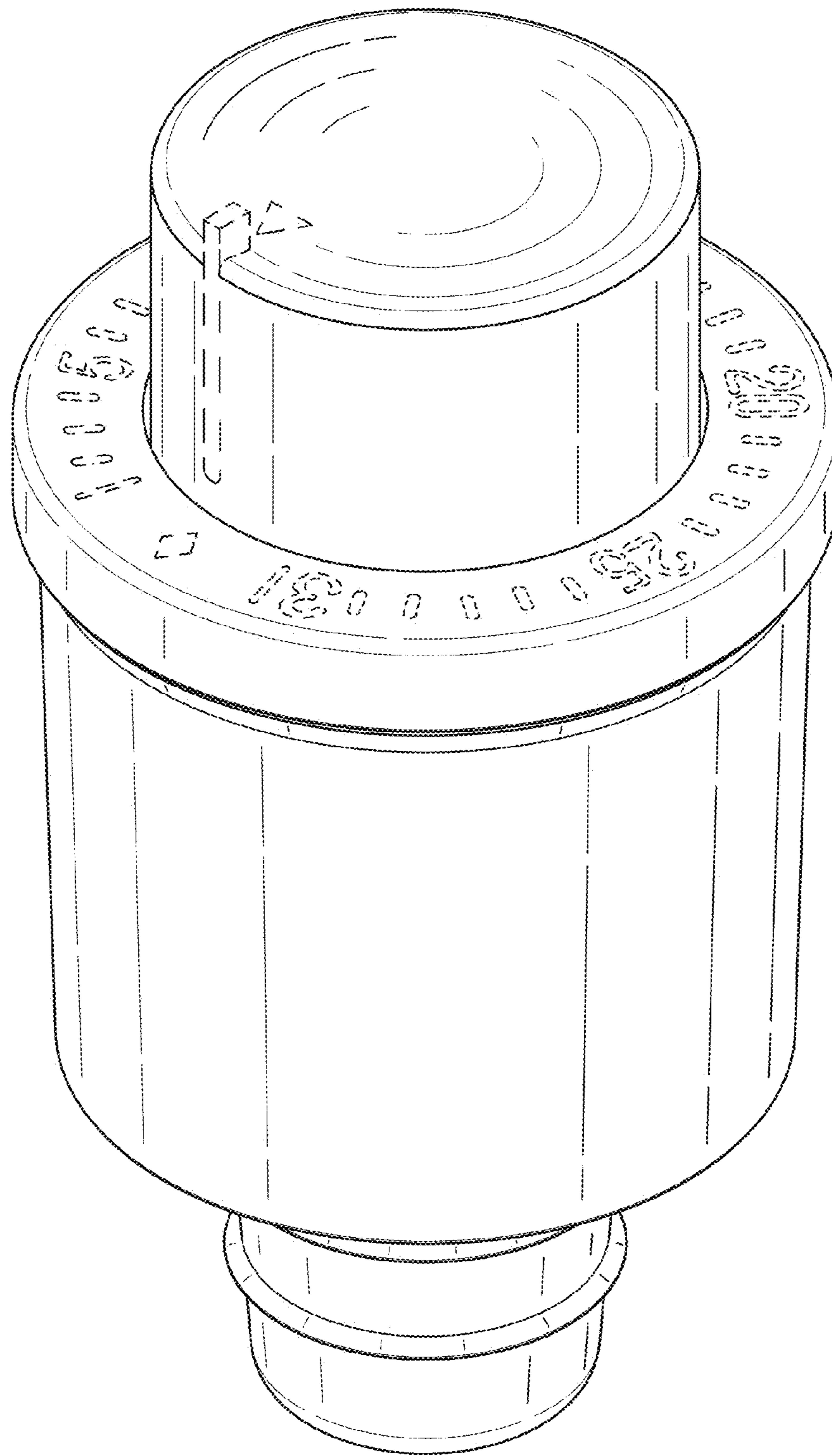


FIG. 1

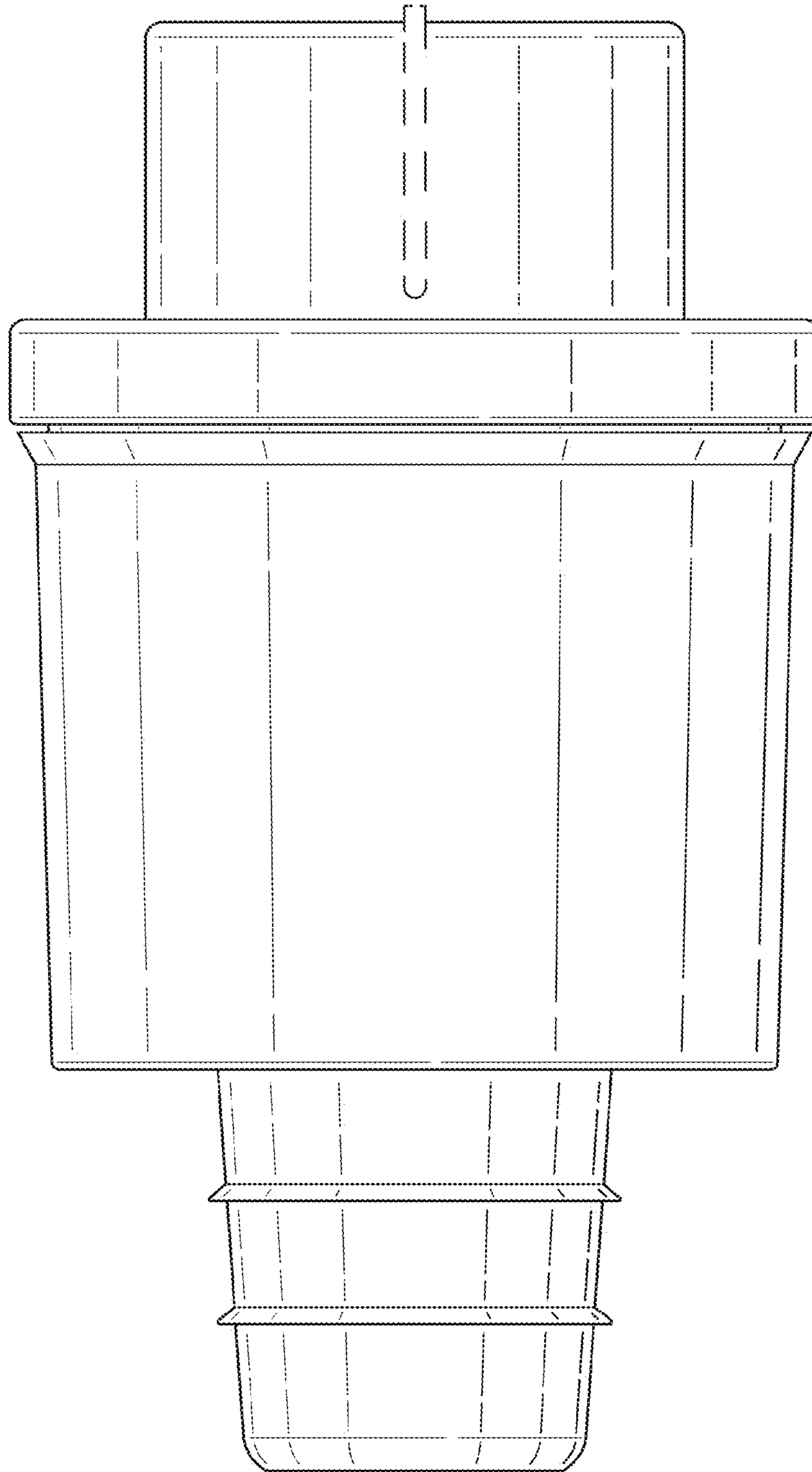


FIG. 2

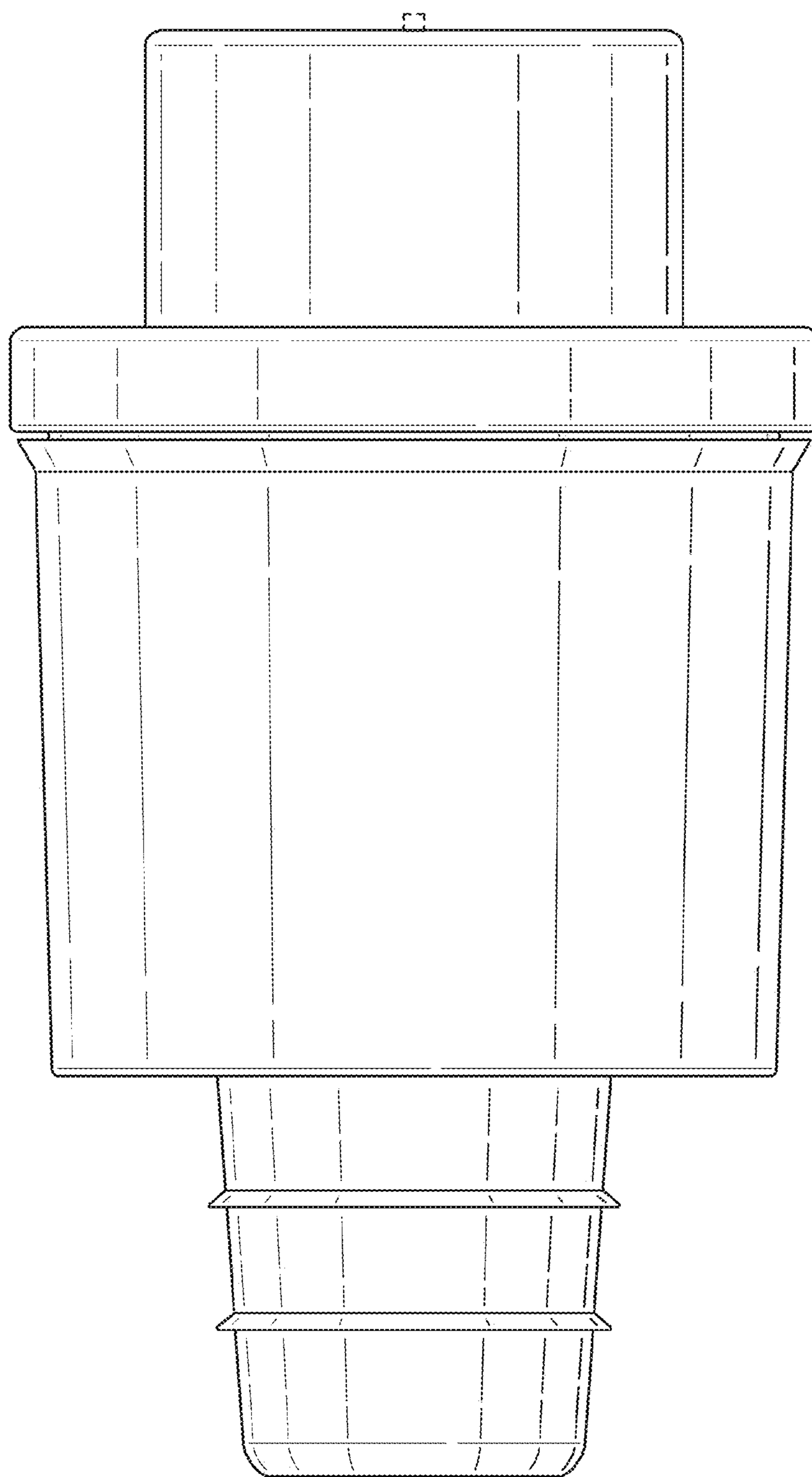


FIG. 3

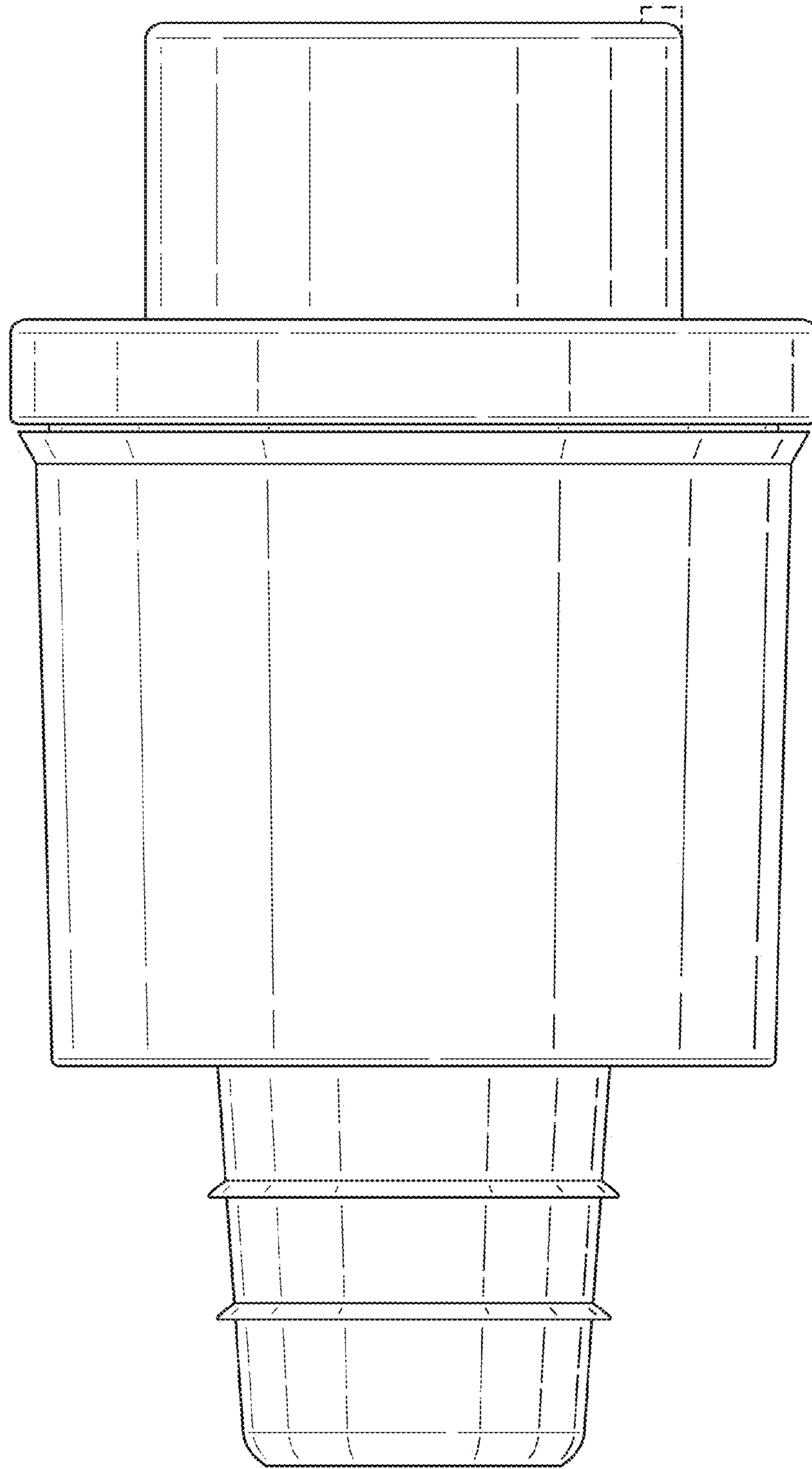


FIG. 4

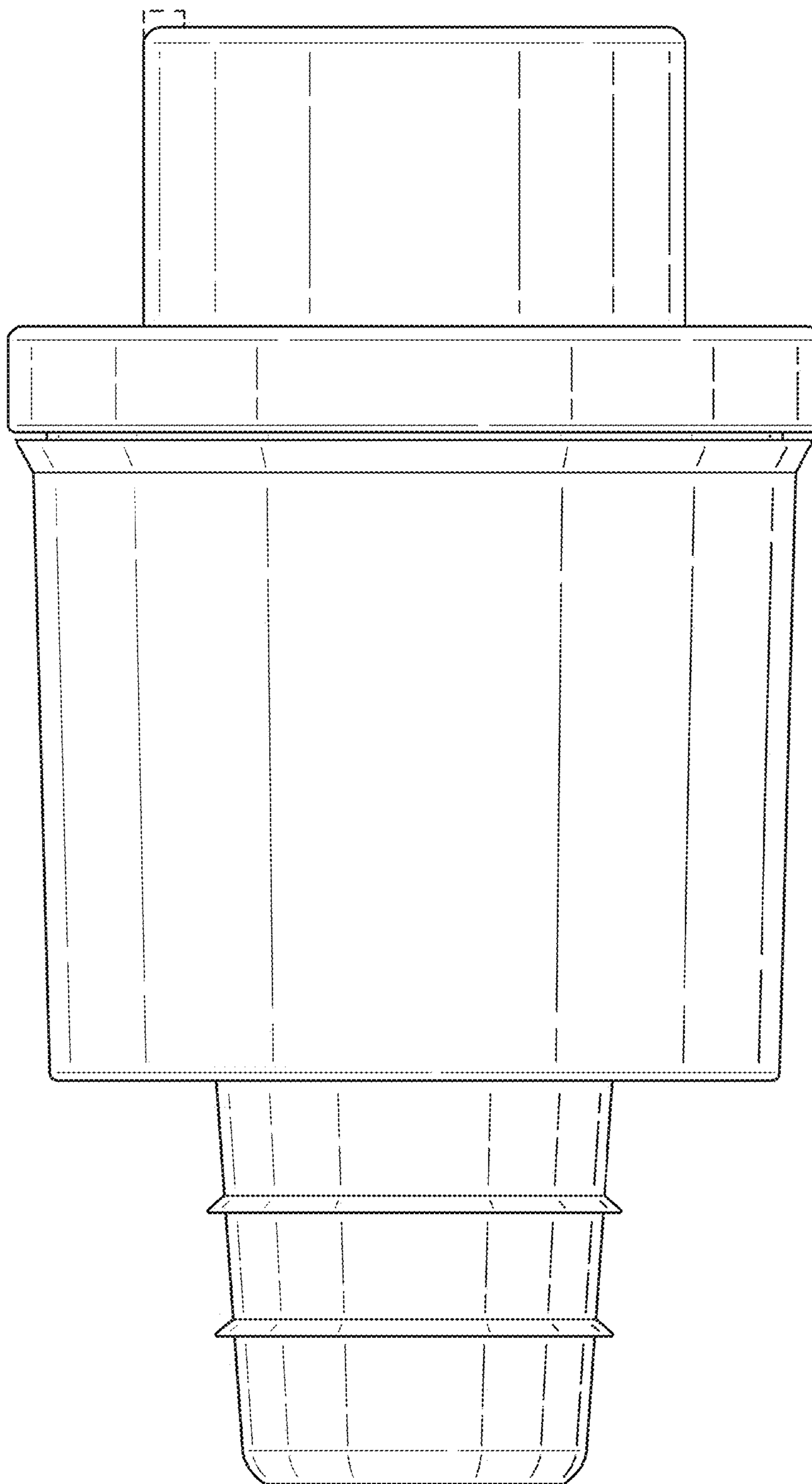


FIG. 5

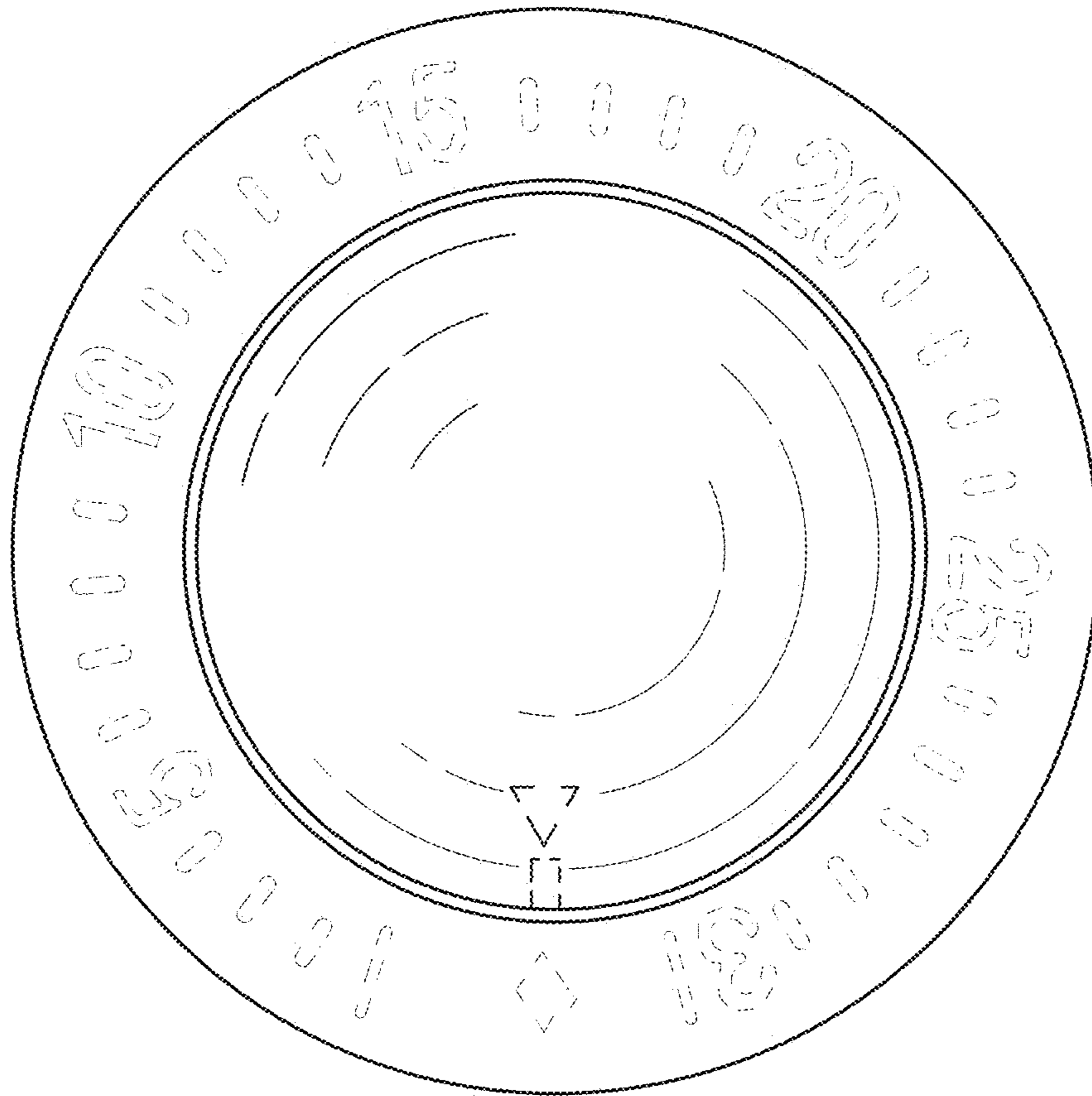


FIG. 6

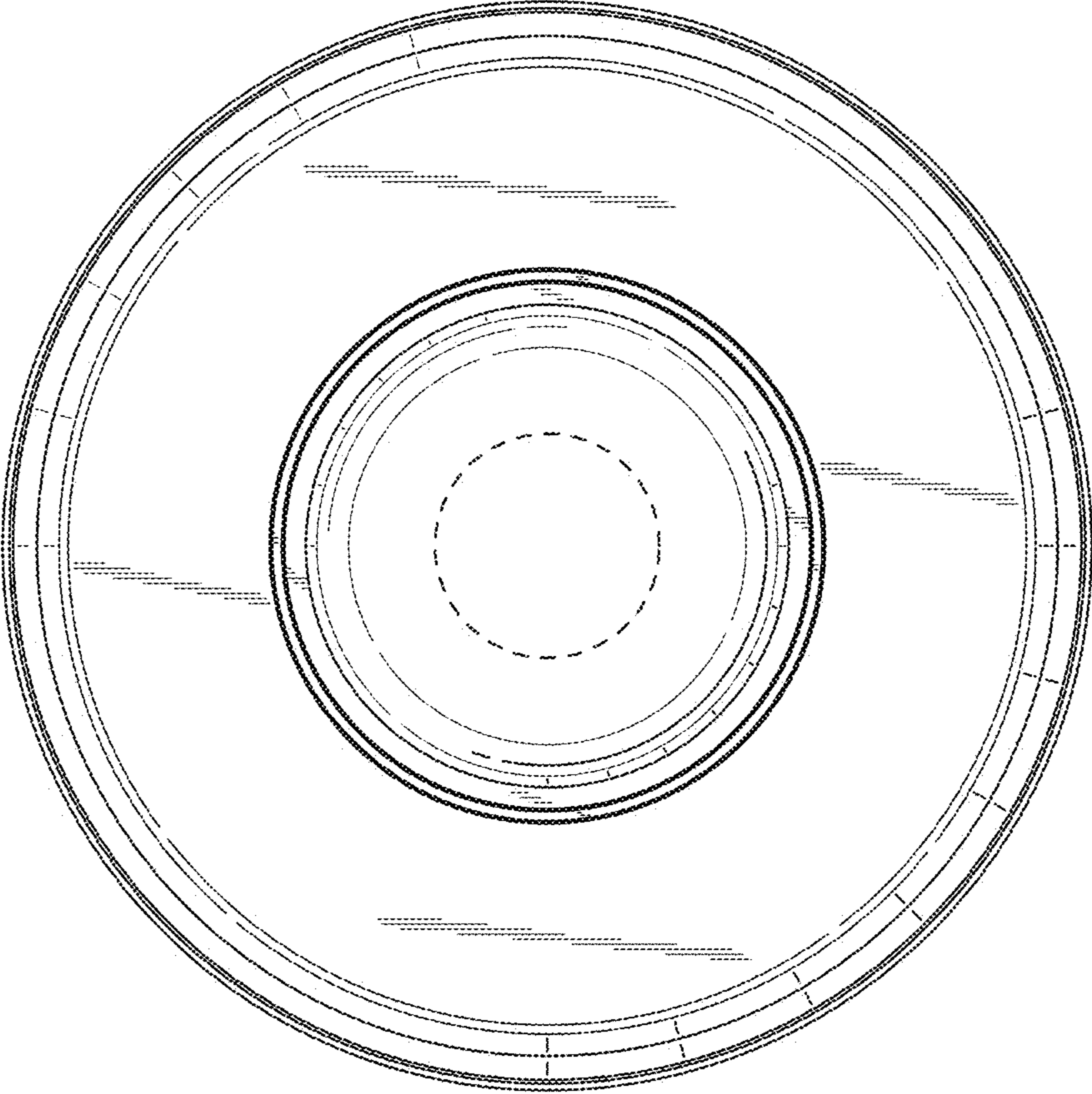


FIG. 7