

US00D756771S

(12) **United States Design Patent**
Covey et al.

(10) **Patent No.:** **US D756,771 S**

(45) **Date of Patent:** **** May 24, 2016**

(54) **SERVING CUP**

(71) Applicant: **Food & Beverage Innovations, LLC,**
Portland, OR (US)

(72) Inventors: **Jason Covey,** Seattle, WA (US); **Ian Graves,** Seattle, WA (US); **Thomas Gurski,** Seattle, WA (US)

(73) Assignee: **Food & Beverage Innovations, LLC,**
Portland, OR (US)

(**) Term: **14 Years**

(21) Appl. No.: **29/514,408**

(22) Filed: **Jan. 12, 2015**

(51) **LOC (10) Cl.** **09-07**

(52) **U.S. Cl.**
USPC **D9/428; D9/424; D9/425; D7/400;**
D7/545

(58) **Field of Classification Search**

USPC D7/500, 501, 503, 505, 507, 509, 510,
D7/511, 512, 523, 529, 530, 531, 514, 515,
D7/553.4, 553.5, 553.6, 554.1, 553.7,
D7/553.8, 554.2, 555, 543, 542, 545, 540,
D7/546, 547, 548, 549, 552.1, 557, 566,
D7/586, 587, 601, 602, 600.1, 600, 708.1,
D7/708, 619.1, 620, 622, 632, 664, 400,
D7/388, 701, 396.3; D30/129, 130, 111,
D30/112, 102; D11/143, 144, 153, 164, 1,
D11/11, 37, 89; D32/54, 53.1, 73;
220/592.16, 592.17, 23.4, 23.83;
D9/554, 695, 433, 455, 456, 499, 430,
D9/429, 428, 427, 426, 424, 441, 651, 600,
D9/712, 414, 425; D3/201, 202; D10/46.2;
D26/20, 21, 22, 23, 16; D19/96, 97;
229/403, 400
CPC A47G 23/08; A47G 19/32; A47G
2019/2277; A47G 19/2216; A47G 19/2211;
A47G 19/22; B65D 21/02; B65D 1/265;
B65D 3/06; A45F 2003/205; A45F 3/20

See application file for complete search history.

(56) **References Cited**

U.S. PATENT DOCUMENTS

3,082,900 A * 3/1963 Goodman B65D 1/265
220/592.17
3,784,052 A * 1/1974 Edwards B65D 1/265
206/520
D267,929 S * 2/1983 Torterotot D7/612
D371,939 S * 7/1996 Rigney D7/509
5,628,453 A * 5/1997 MacLaughlin B65D 1/265
220/739
5,782,376 A * 7/1998 Brauner B65D 1/30
220/669
D446,684 S * 8/2001 Price D7/509
D452,152 S * 12/2001 Meeker D9/425
D453,108 S * 1/2002 Gasco D9/425
D456,211 S * 4/2002 Price D7/509
D458,806 S * 6/2002 Price D7/509
D467,800 S * 12/2002 Chen D9/428
D496,272 S * 9/2004 Jackson D7/602
D512,631 S * 12/2005 Lhoste D7/545
D521,202 S * 5/2006 Lin D11/143

(Continued)

Primary Examiner — Marianne Pandozzi

Assistant Examiner — Jae Liang

(74) *Attorney, Agent, or Firm* — Alleman Hall McCoy
Russell & Tuttle LLP

(57) **CLAIM**

The ornamental design for a serving cup, as shown and
described.

DESCRIPTION

FIG. 1 is an isometric view of a serving cup showing our new
design;

FIG. 2 is a front view thereof;

FIG. 3 is a rear view thereof;

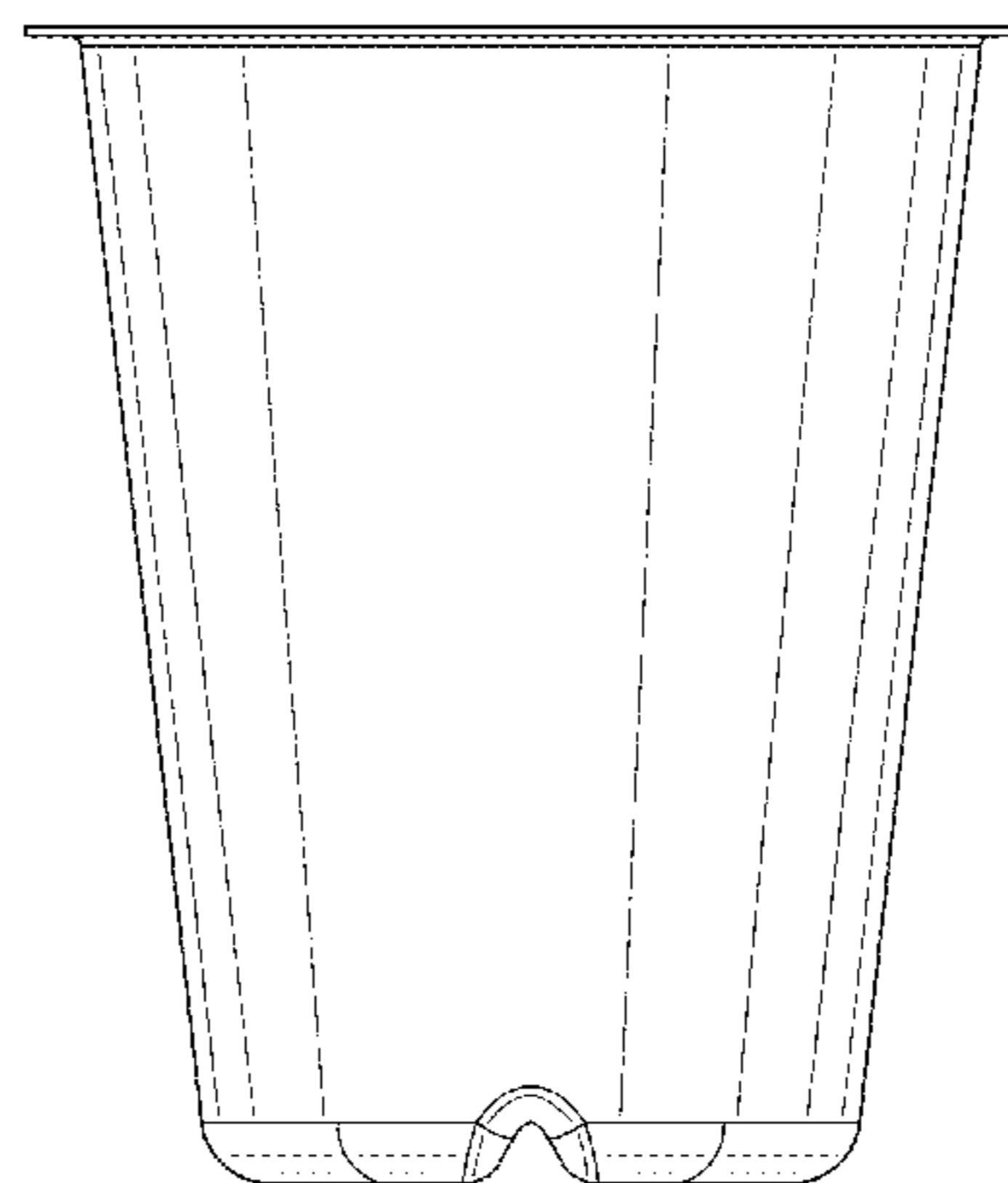
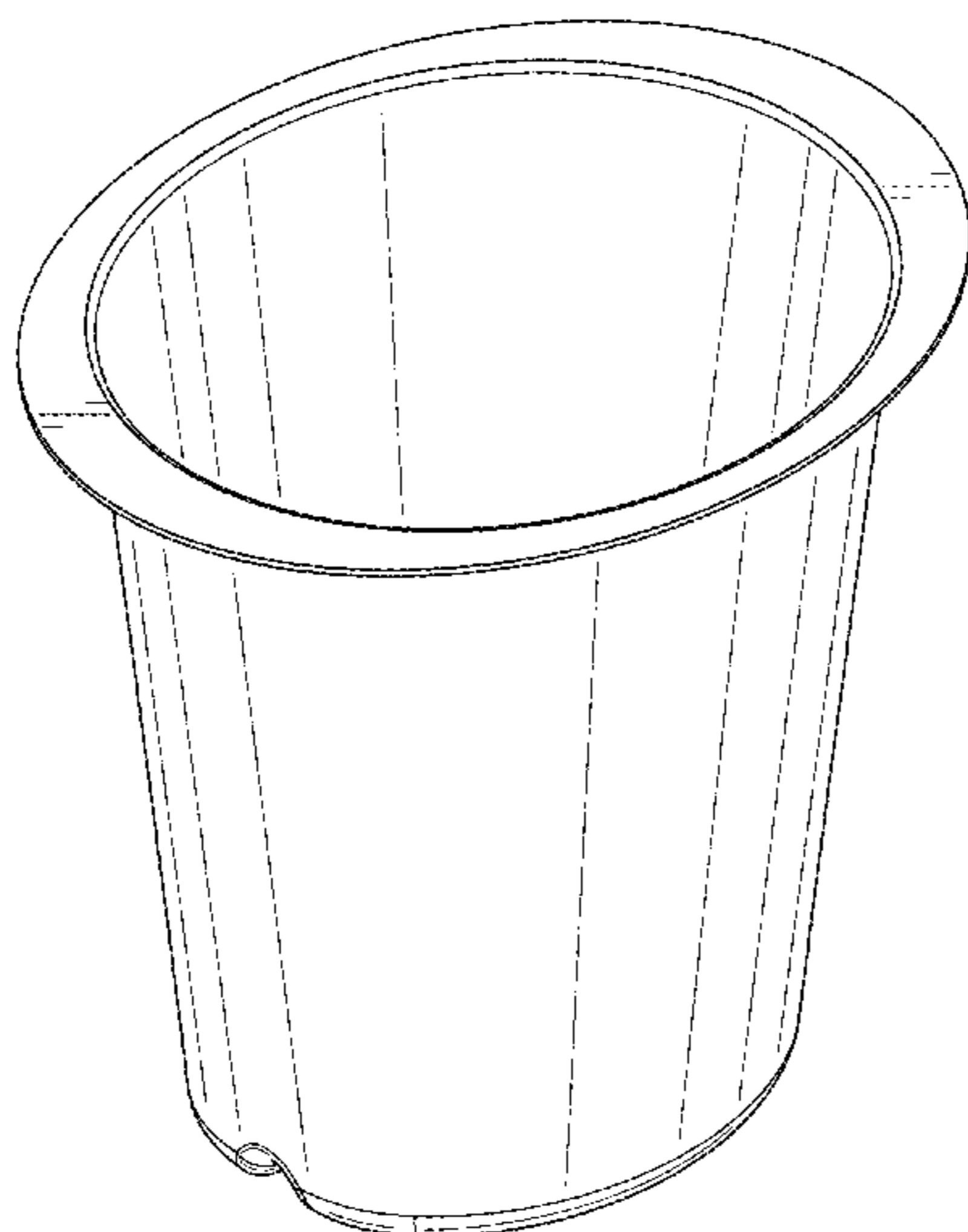
FIG. 4 is a left side view thereof;

FIG. 5 is a right side view thereof;

FIG. 6 is a top view thereof; and,

FIG. 7 is a bottom view thereof.

1 Claim, 7 Drawing Sheets



(56)

References Cited

U.S. PATENT DOCUMENTS

D544,790 S * 6/2007 Bouveret D9/424
 D577,996 S * 10/2008 Isono D9/428
 D597,380 S * 8/2009 Epstein D7/602
 D625,954 S * 10/2010 Mouquet D7/507
 D630,504 S * 1/2011 Scott D9/425
 D635,399 S * 4/2011 DelVecchio D7/509
 D642,454 S * 8/2011 Santoiemmo D9/428
 D645,738 S * 9/2011 Shiffer D9/425
 D650,662 S * 12/2011 Shiffer D9/425
 D650,663 S * 12/2011 Shiffer D9/425
 D662,777 S 7/2012 Andrascik

D693,645 S * 11/2013 Keyes D7/523
 D697,794 S * 1/2014 De Pra D9/425
 D699,566 S * 2/2014 De Pra D9/425
 D700,838 S * 3/2014 Oommen D9/425
 D705,064 S * 5/2014 Sy D11/154
 D706,622 S * 6/2014 Bischoff D9/425
 8,881,936 B2 * 11/2014 Crosby B65D 1/16
 220/669
 D731,304 S * 6/2015 Bischoff D9/425
 D741,168 S * 10/2015 Kervazo D9/425
 2002/0125255 A1 * 9/2002 Gasco B65D 81/025
 220/574
 2010/0108693 A1 * 5/2010 Zhang B65D 1/3869
 220/592.2

* cited by examiner

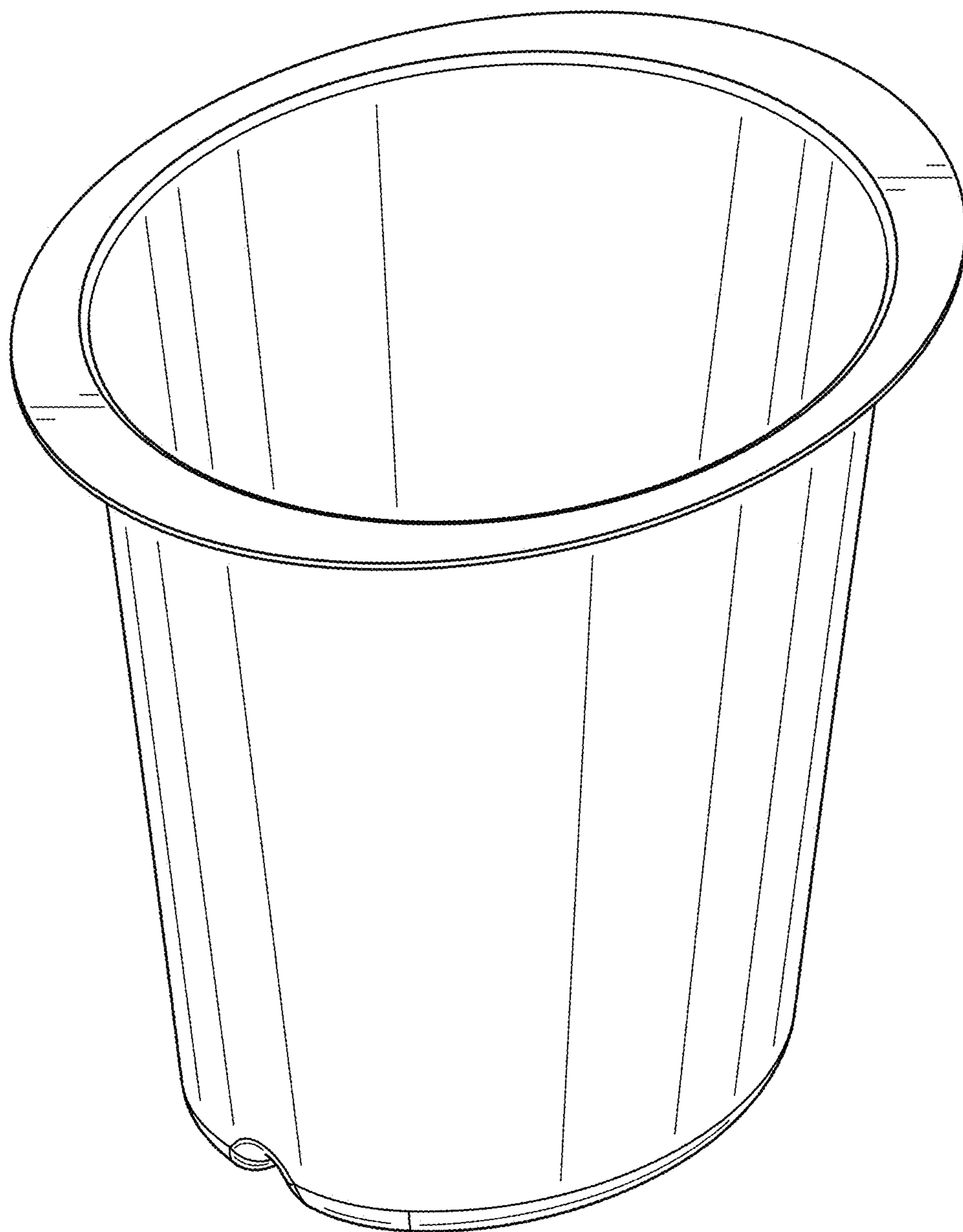


FIG. 1

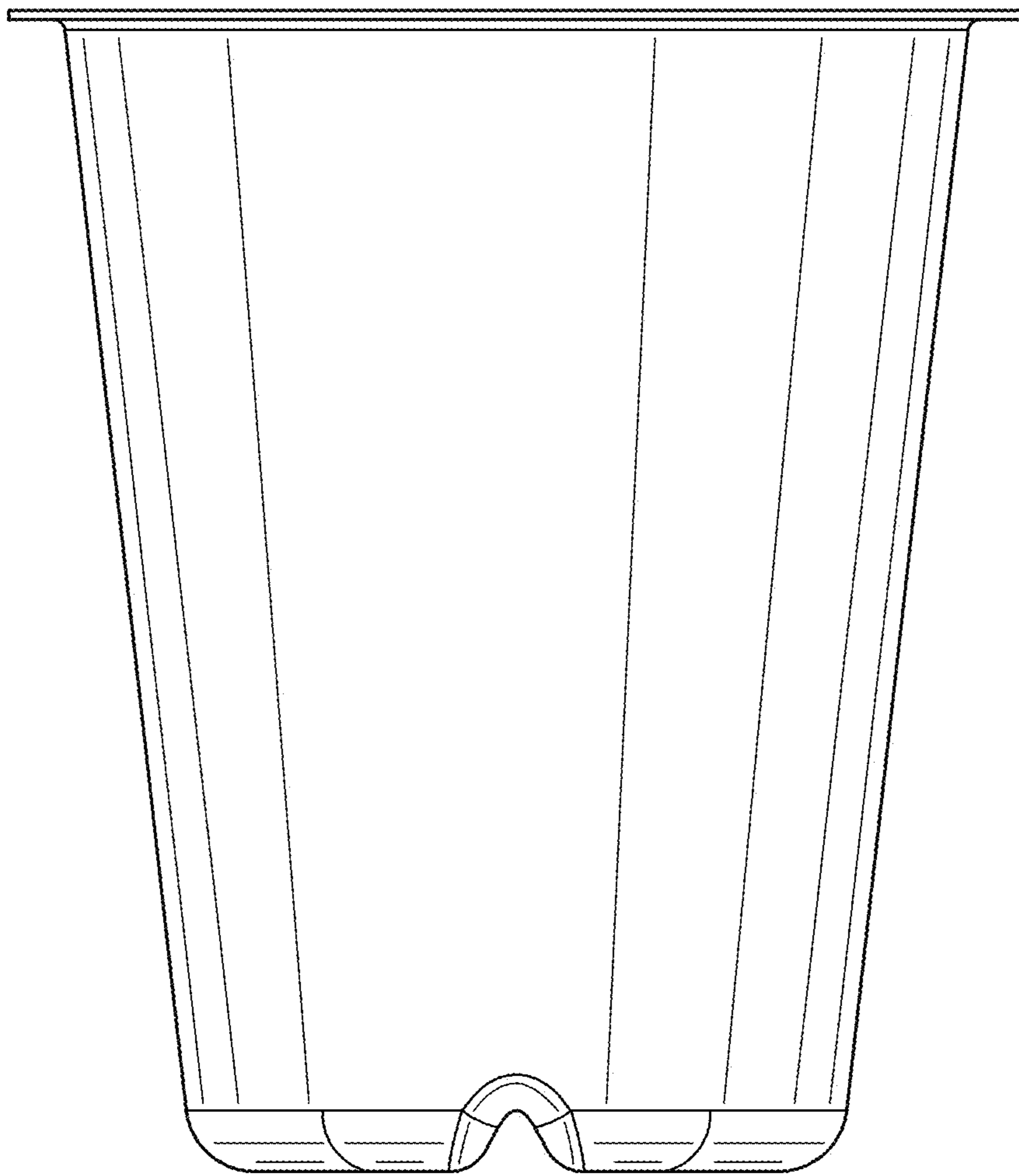


FIG. 2

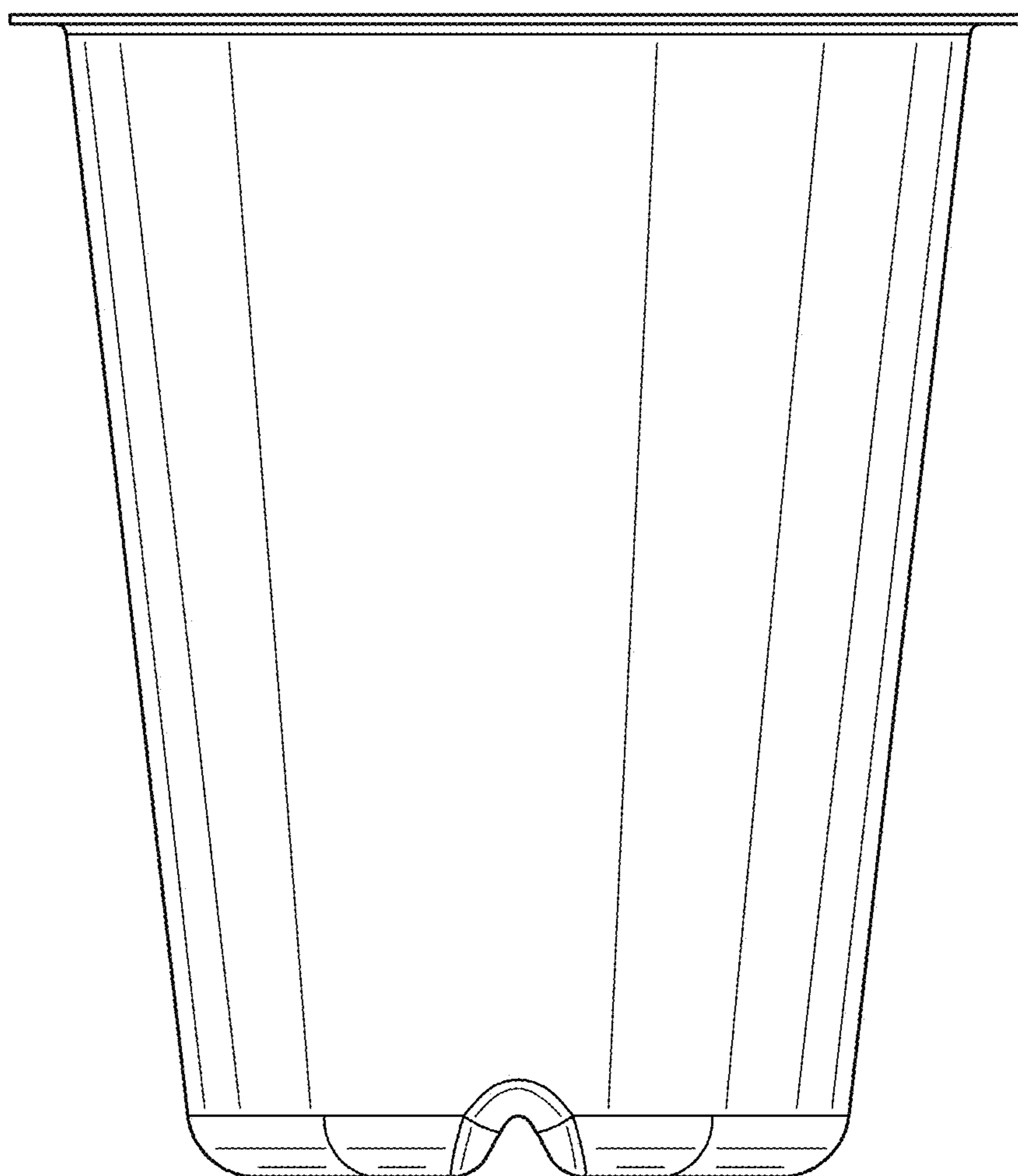


FIG. 3

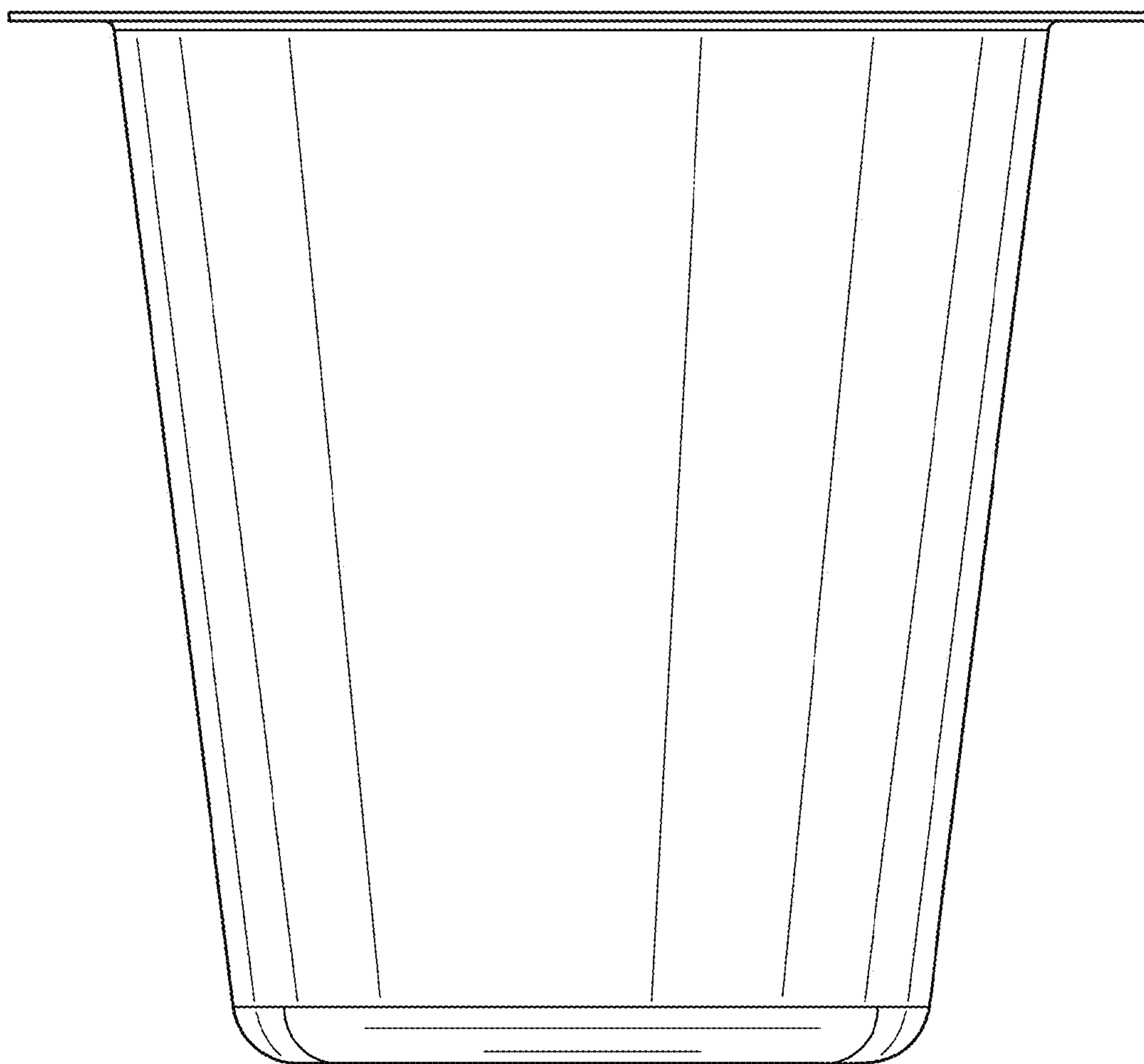


FIG. 4

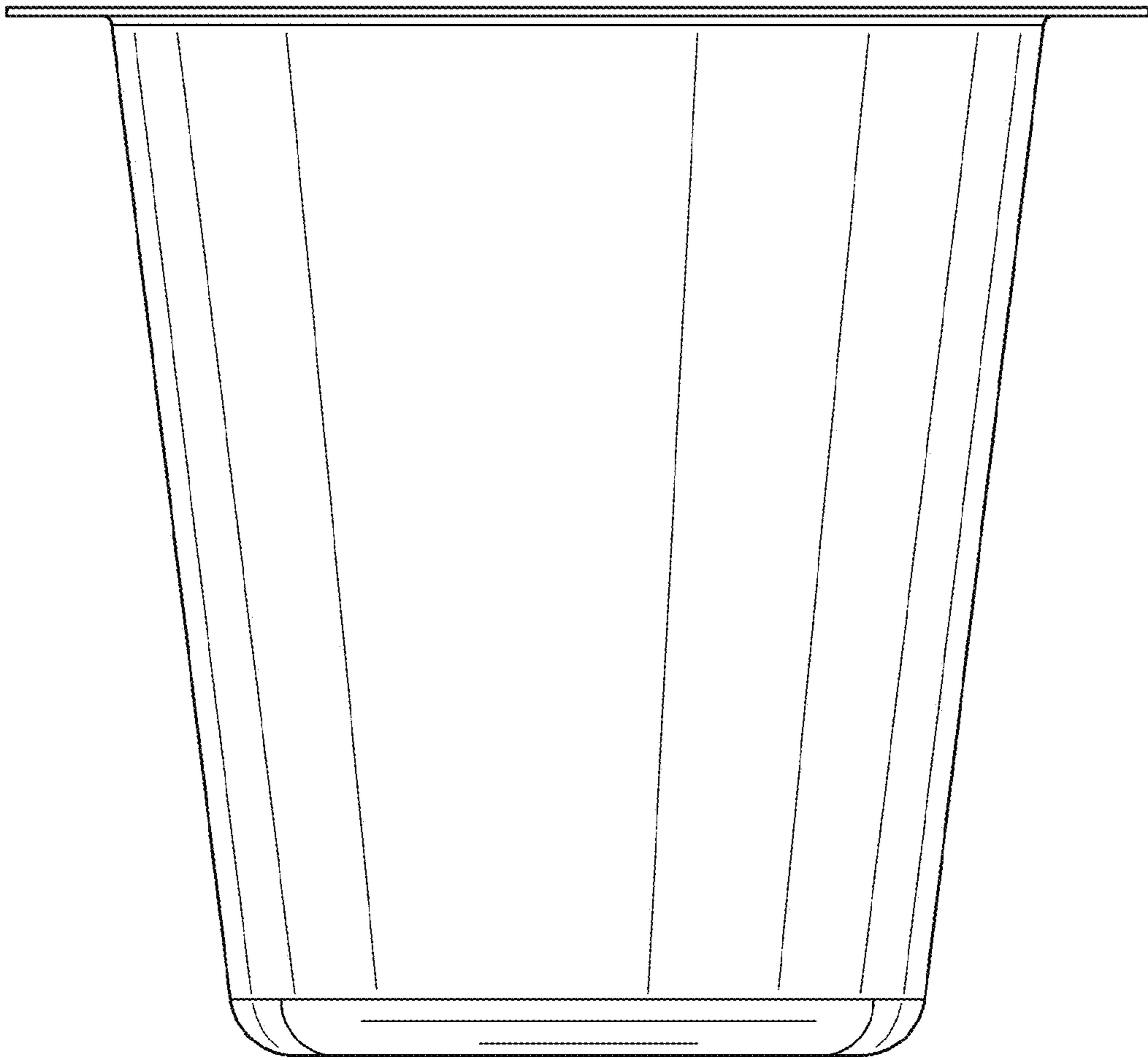


FIG. 5

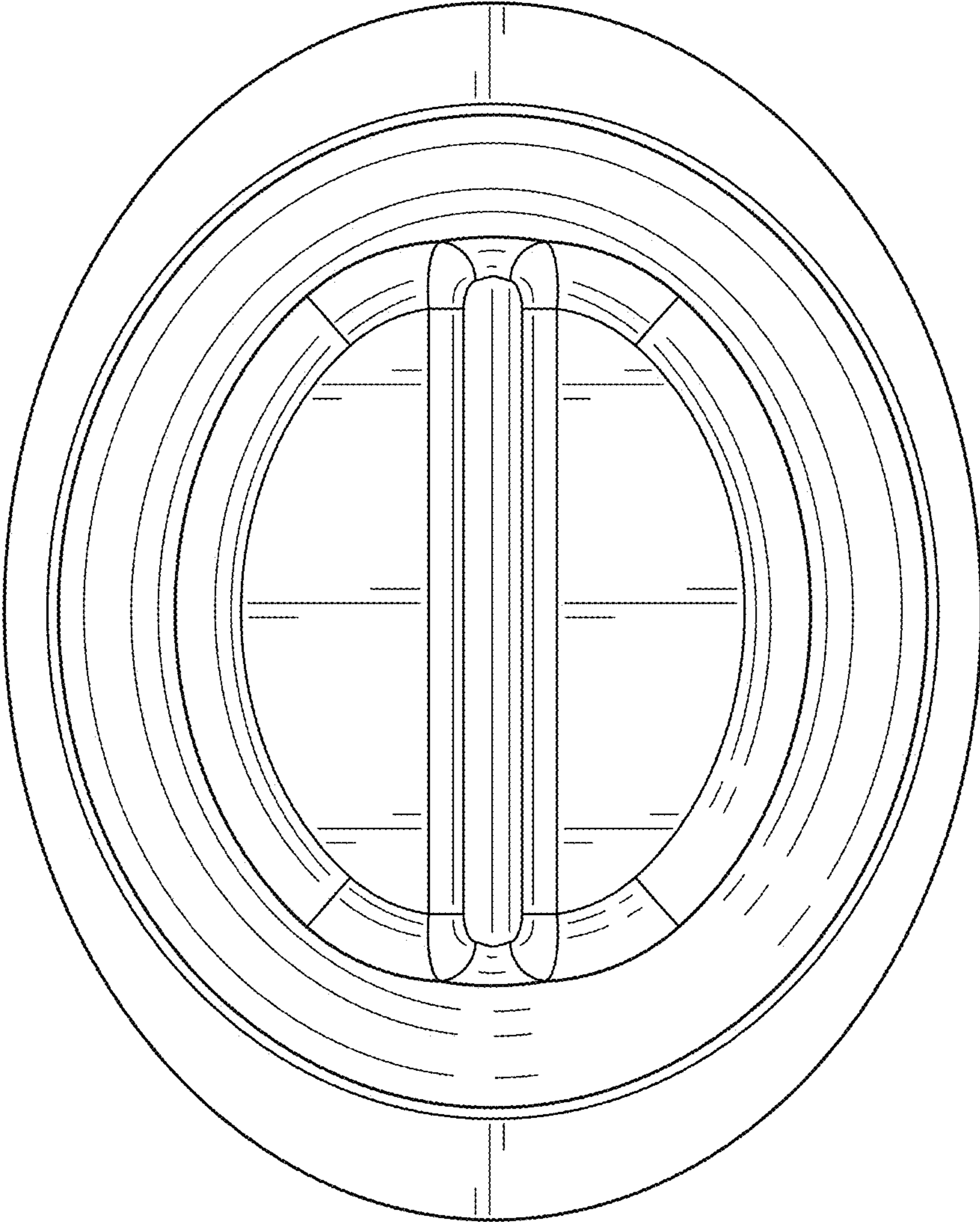


FIG. 6

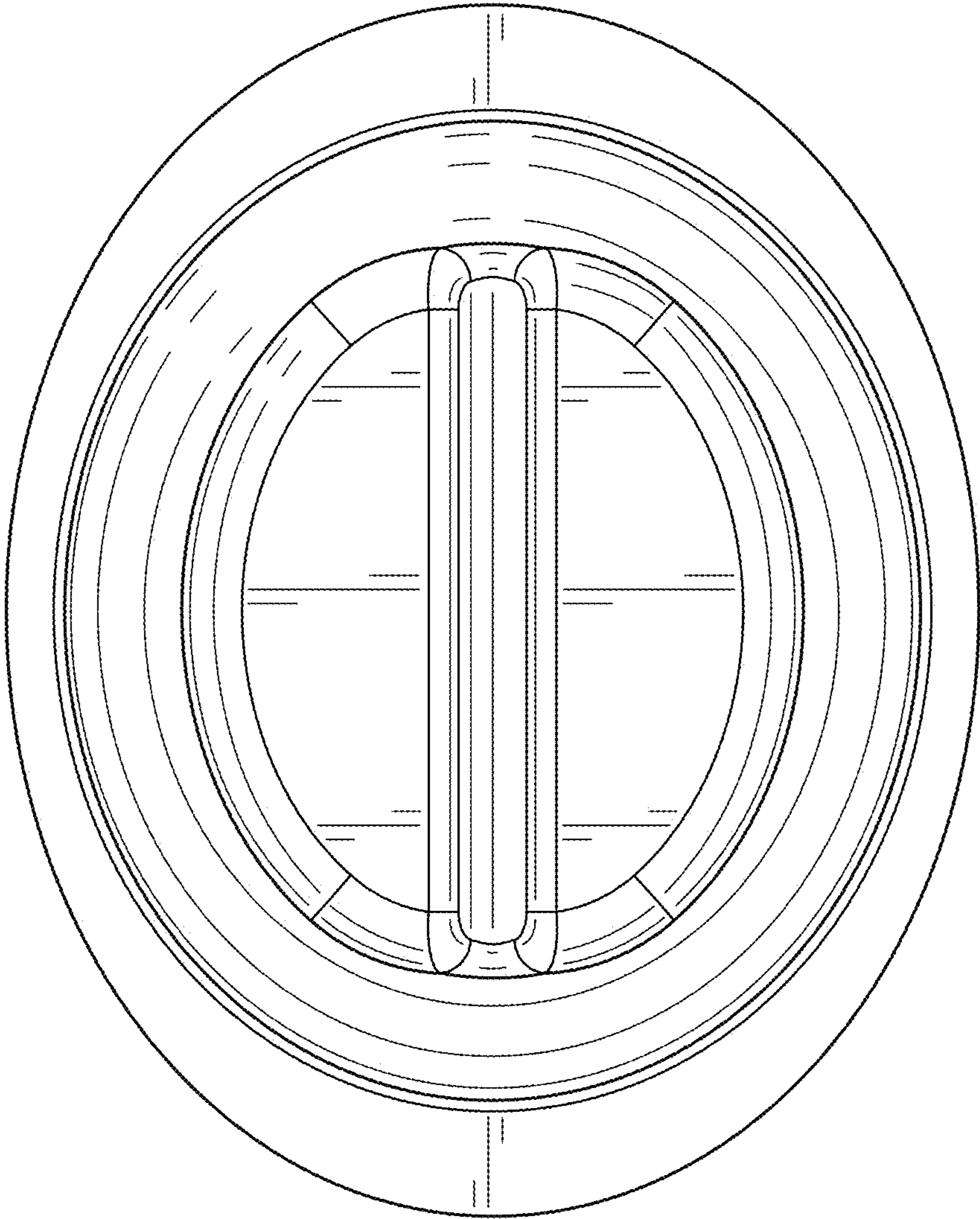


FIG. 7