



US00D756770S

(12) **United States Design Patent**
Snedden et al.

(10) **Patent No.:** **US D756,770 S**
(45) **Date of Patent:** **** May 24, 2016**

(54) **CONTAINER**

(71) Applicant: **Direct Pack, Inc.**, Sun Valley, CA (US)

(72) Inventors: **Craig R. Snedden**, La Canada Flintridge, CA (US); **Gandhi B. Sifuentes**, West Covina, CA (US); **Cesar E. Ramirez**, Van Nuys, CA (US)

(73) Assignee: **DIRECT PACK, INC.**, Azusa, CA (US)

(**) Term: **14 Years**

(21) Appl. No.: **29/516,724**

(22) Filed: **Feb. 5, 2015**

(51) **LOC (10) Cl.** **09-03**

(52) **U.S. Cl.**
USPC **D9/425; D9/432**

(58) **Field of Classification Search**
USPC D9/414, 418, 420, 423, 424–426, D9/430–435, 450, 456, 503, 523–525, 715, D9/719; D3/206, 270, 294; D7/601, 602, D7/619, 619.1, 629, 378, 397, 399, 400, D7/412–415, 584; 206/518, 519; 220/833, 220/656–659, 669–675, 912, 4.21–4.27; 229/400–406, 932, 906.1
CPC B65D 25/04; B65D 81/18; B65D 1/00; B65D 81/22; B65D 81/24; B65D 81/34; B65D 81/3446; B65D 77/0433; B65D 2543/00203; B65D 2543/00509; B65D 2543/00555; B65D 2543/00694; B65D 2543/00805; B65D 2543/00972; B65D 2543/00268; B65D 2543/00277; B65D 2543/00314; B65D 2543/00305; B65D 2543/00425; B65D 2543/00592; B65D 2543/00602; B65D 2543/00101; B65D 2543/00351; B65D 2543/0062; B65D 53/02; B65D 45/22; B65D 23/00; B65D 1/34; B65D 1/42; B65D 43/0206; B65D 21/0219; B65D 21/0222

See application file for complete search history.

(56) **References Cited**

U.S. PATENT DOCUMENTS

D363,663 S * 10/1995 Plater D9/425
D439,159 S * 3/2001 Chen D9/425
D512,305 S * 12/2005 Ramirez D9/425
D553,489 S * 10/2007 Lambert D9/420
D569,243 S * 5/2008 Kidd D9/425
D604,604 S * 11/2009 Strange D9/424
D606,812 S * 12/2009 Wu D7/629
D640,129 S * 6/2011 Sifuentes D9/425
D640,544 S * 6/2011 Sifuentes D9/425
D646,969 S * 10/2011 Snedden D9/425
D649,033 S * 11/2011 Epstein D9/425
D664,843 S * 8/2012 Golota D9/425
D665,666 S * 8/2012 Golota D9/434
D668,537 S * 10/2012 Sanfilippo D9/423
D668,950 S * 10/2012 Sanfilippo D9/423
D671,408 S * 11/2012 Golota D9/425
D673,847 S * 1/2013 Barbier D9/420
D690,194 S * 9/2013 Snedden D9/425
D696,111 S * 12/2013 Sundry D9/429

* cited by examiner

Primary Examiner — Cathron Brooks

Assistant Examiner — Teddy Falloway

(74) *Attorney, Agent, or Firm* — Frost Brown Todd LLC

(57) **CLAIM**

The ornamental design for a container, as shown and described.

DESCRIPTION

FIG. 1 is a top perspective view of a container showing our new design in an open position;

FIG. 2 is a top perspective view of the container in a closed position;

FIG. 3 is a bottom perspective view of thereof;

FIG. 4 is a right elevational view thereof;

FIG. 5 is a left elevational view thereof;

FIG. 6 is a front elevational view thereof;

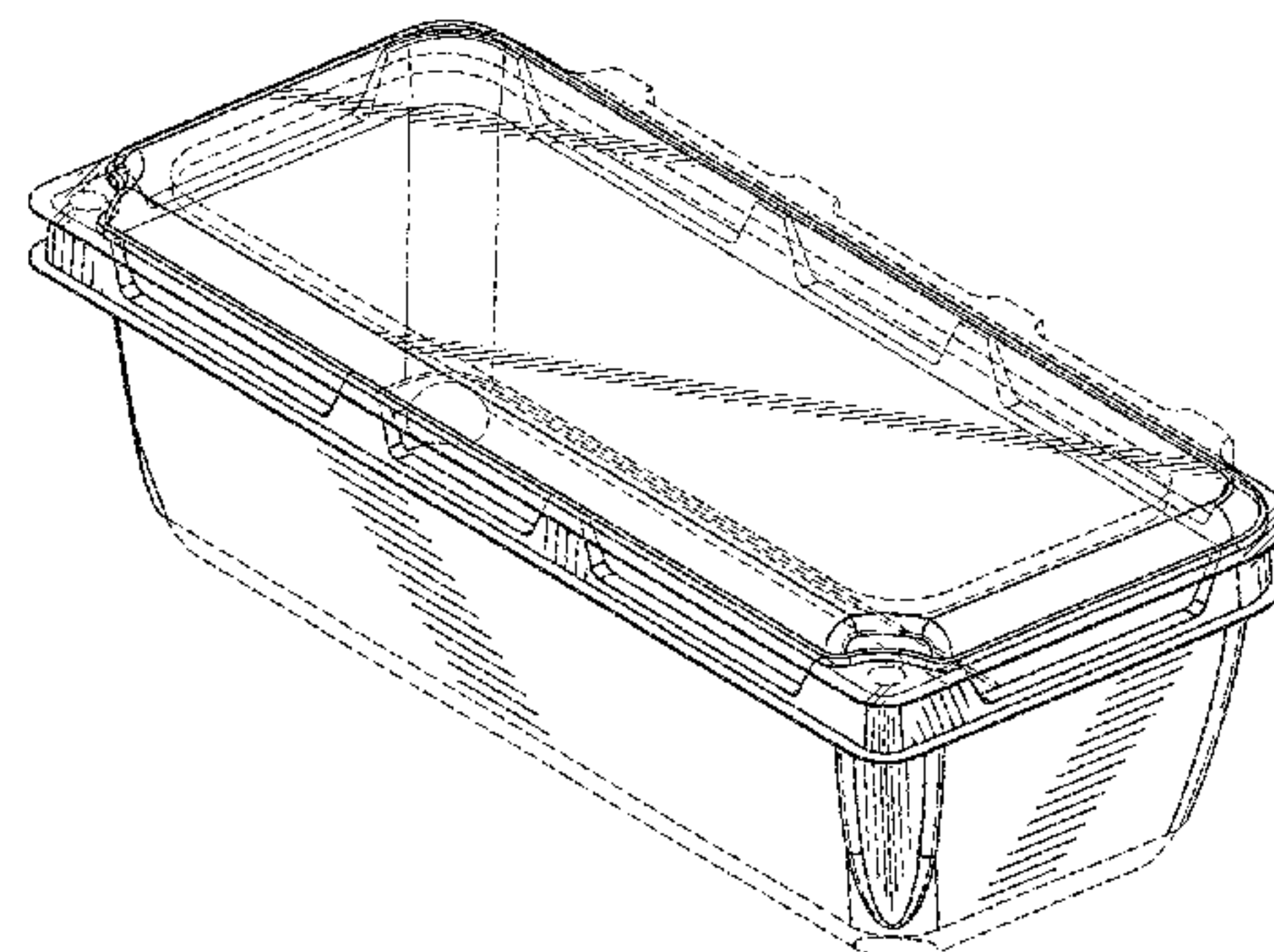
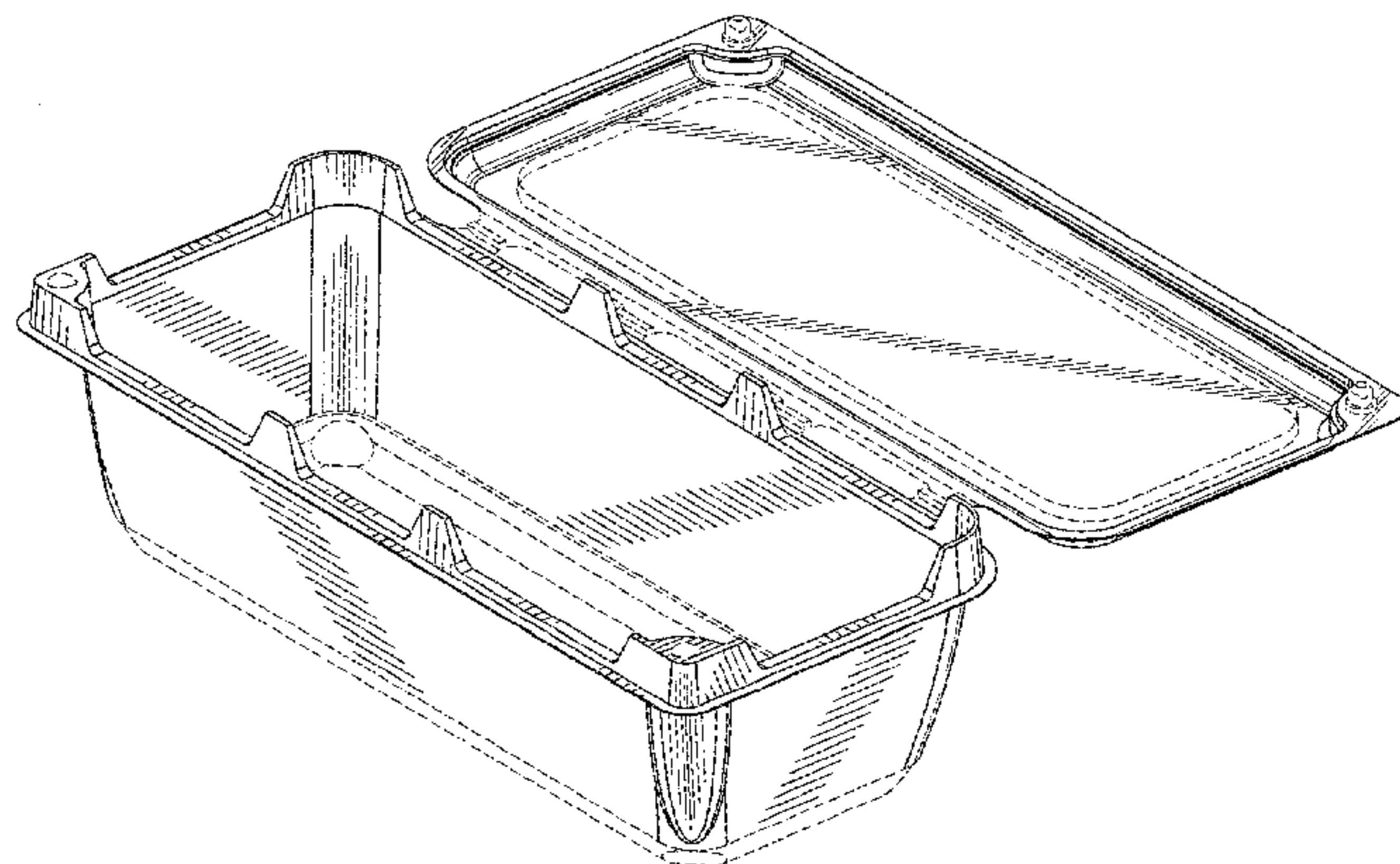
FIG. 7 is a back elevational view thereof;

FIG. 8 is a top plan view thereof; and,

FIG. 9 is a bottom plan view thereof.

The protrusions, recesses, and other portions of the container shown in broken lines are unclaimed environment, and form no part of the claimed design.

1 Claim, 9 Drawing Sheets



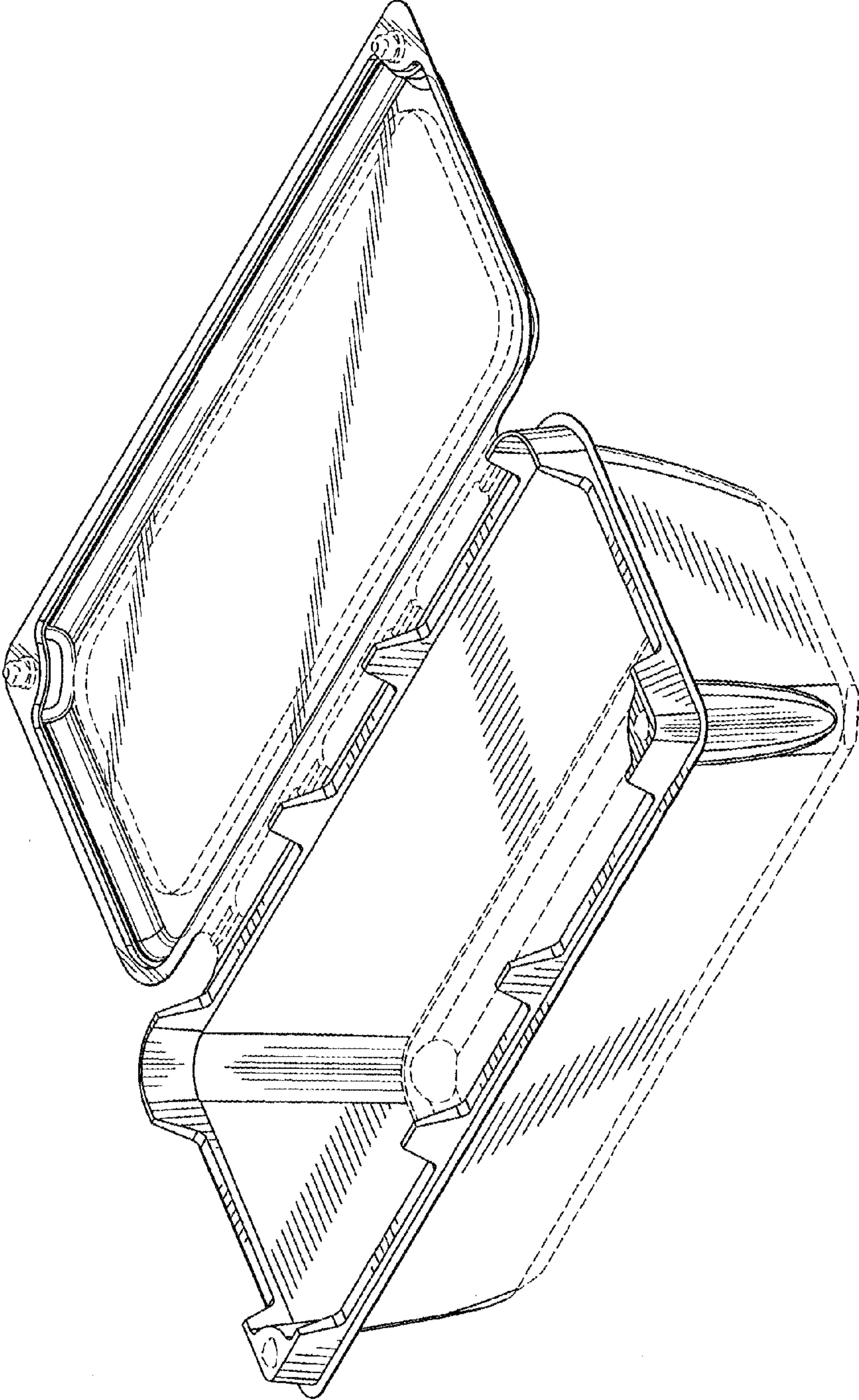


Fig. 1

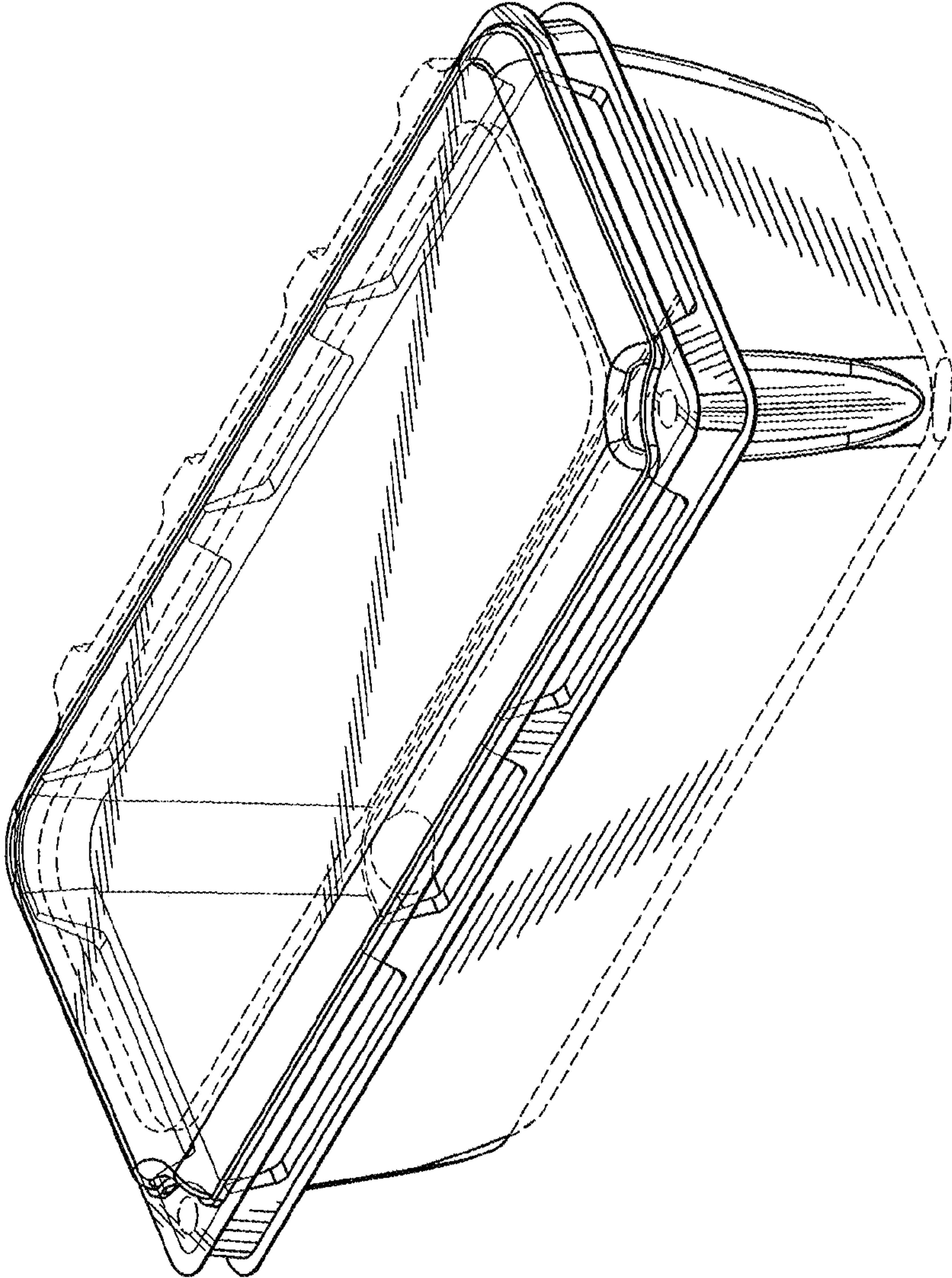


Fig.2

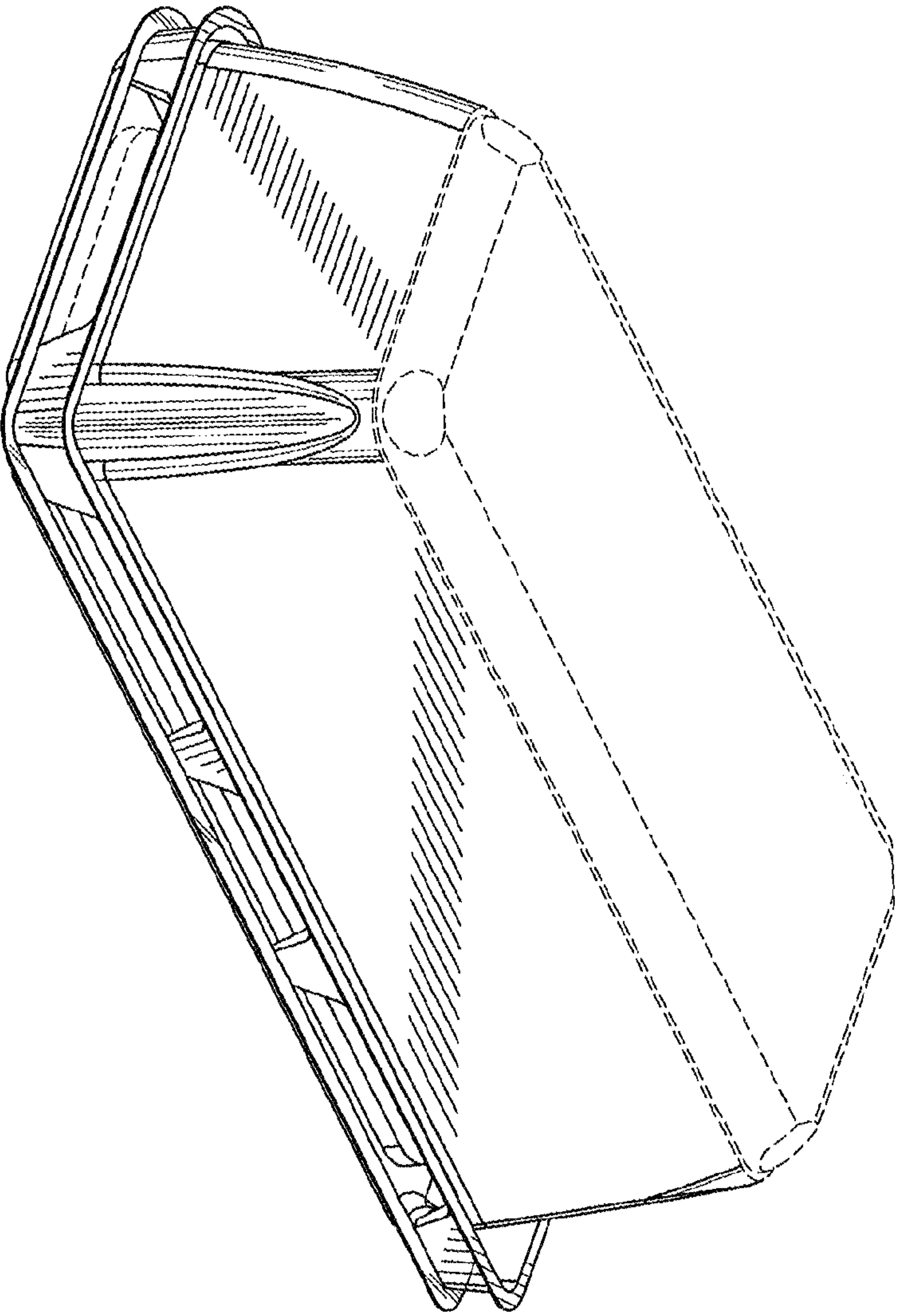


Fig. 3

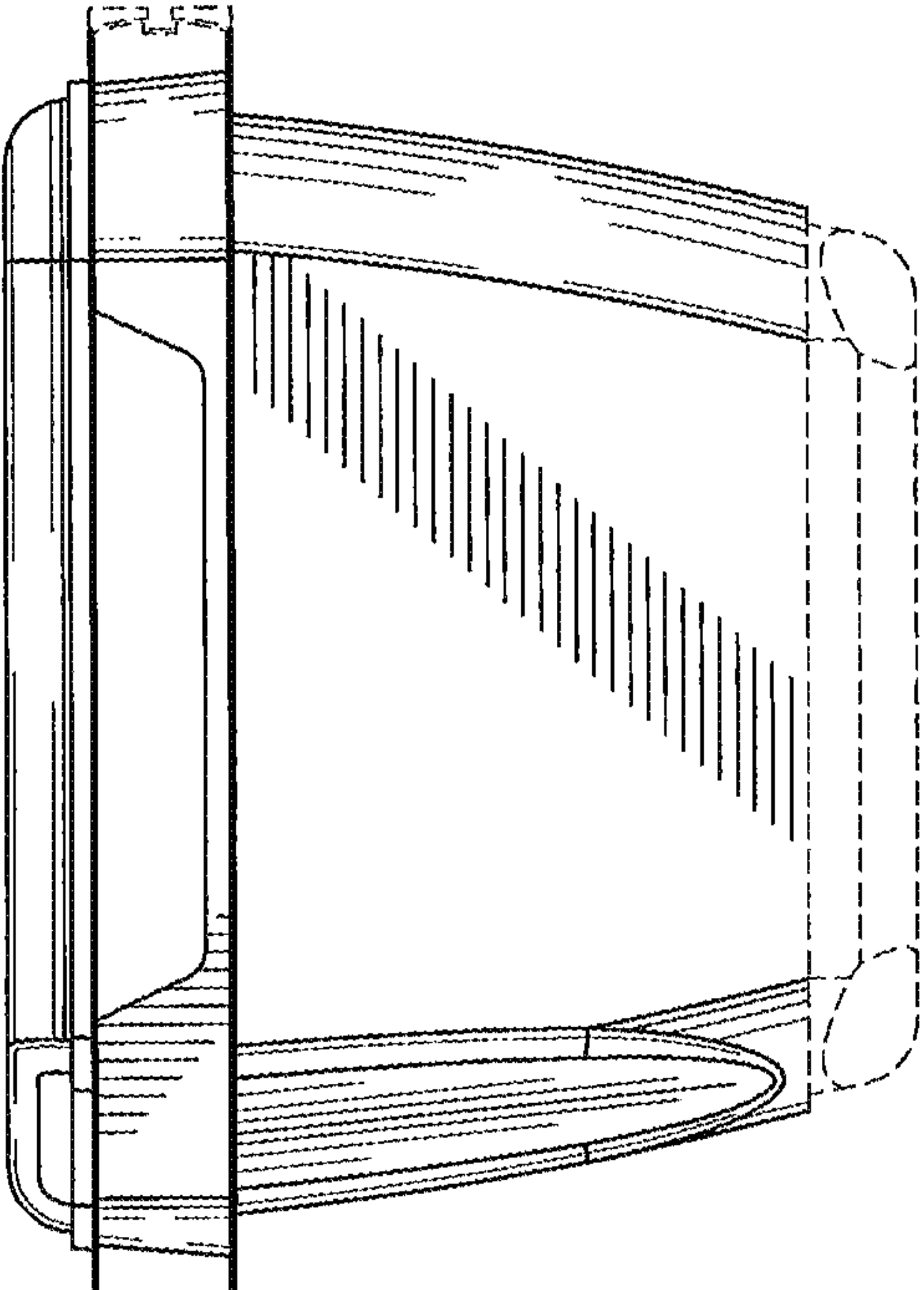


Fig. 4

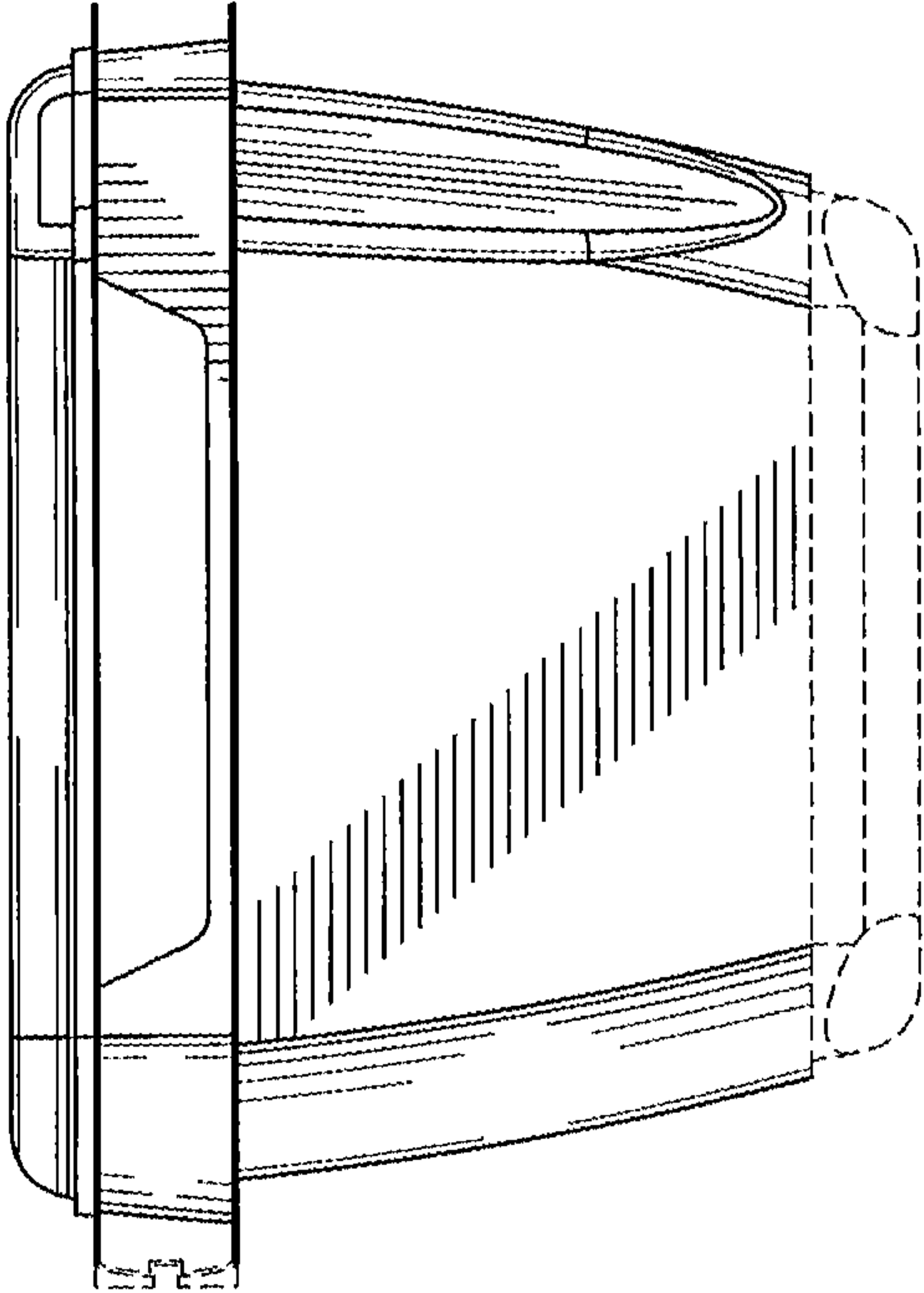


Fig. 5

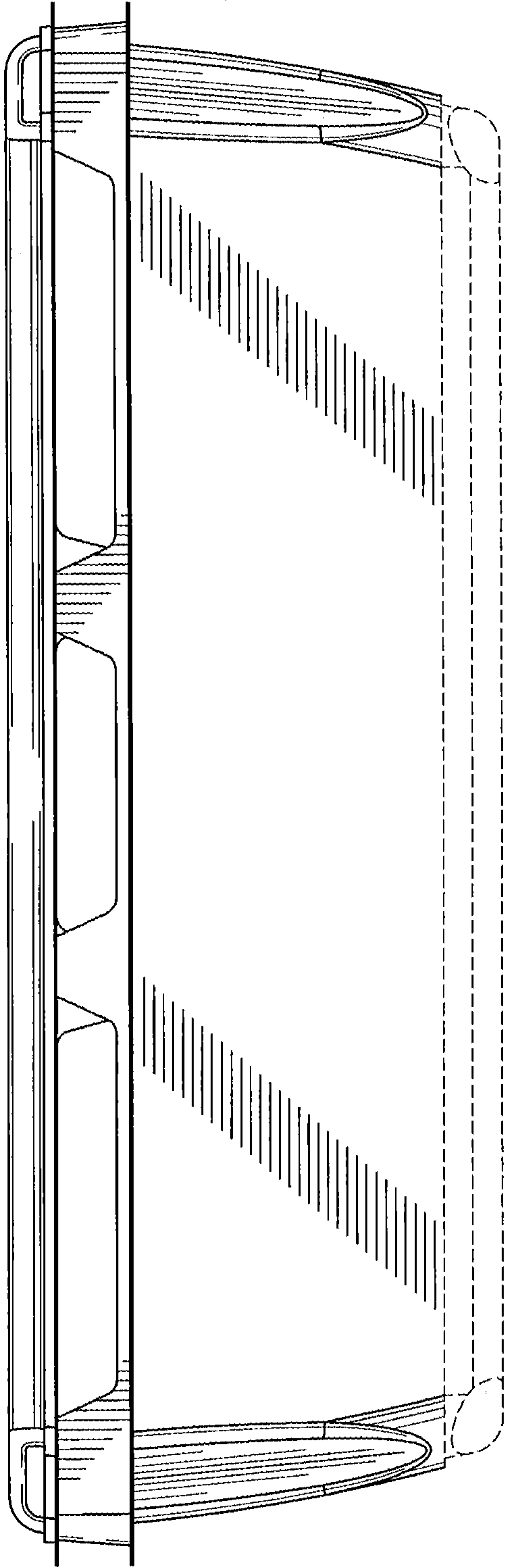


Fig. 6

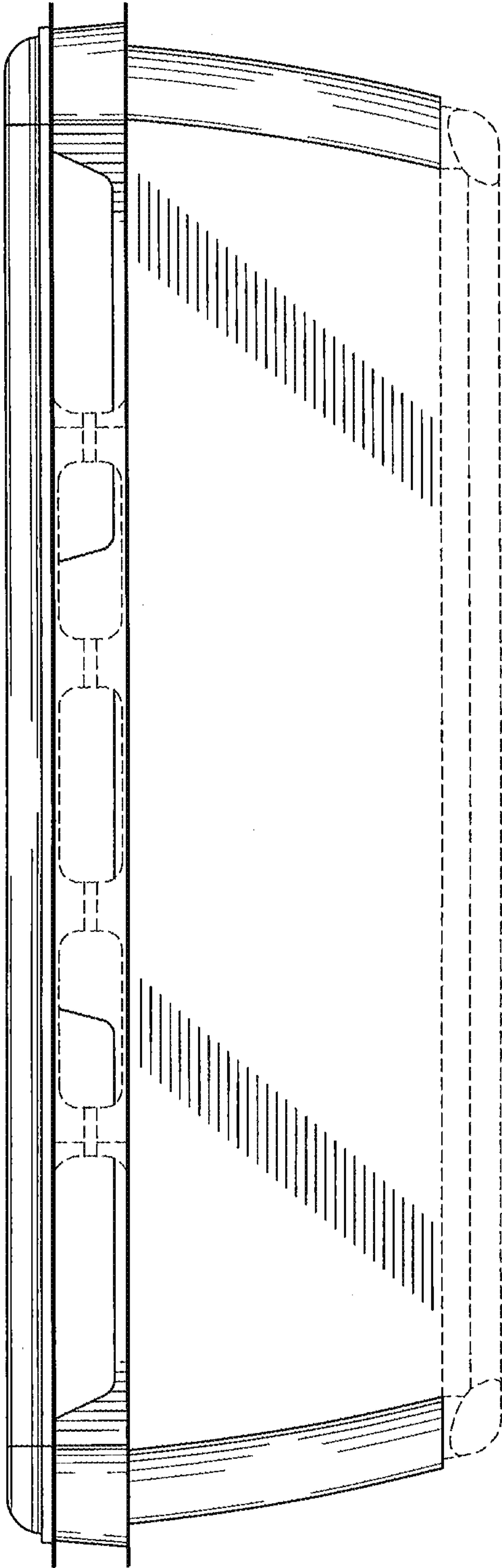


Fig. 7

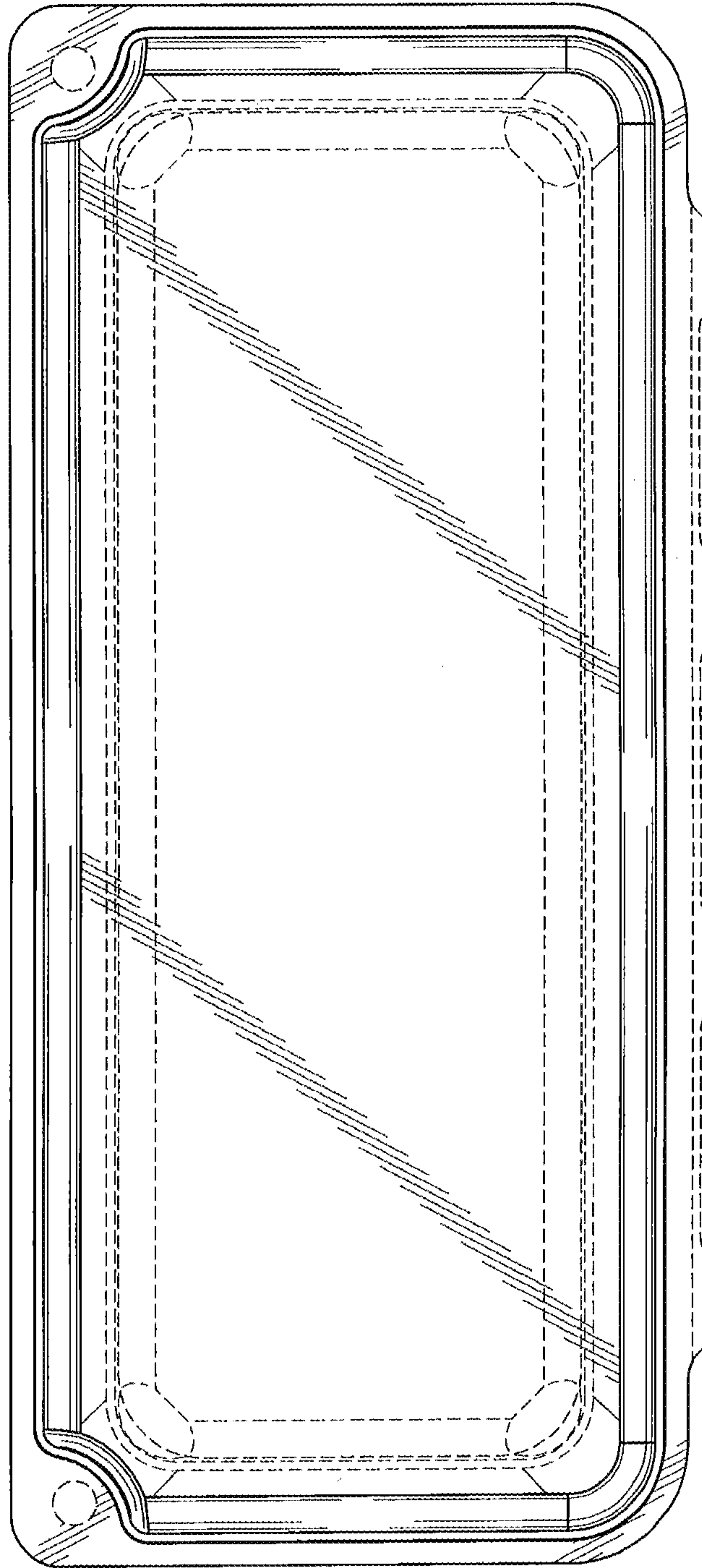


Fig.8

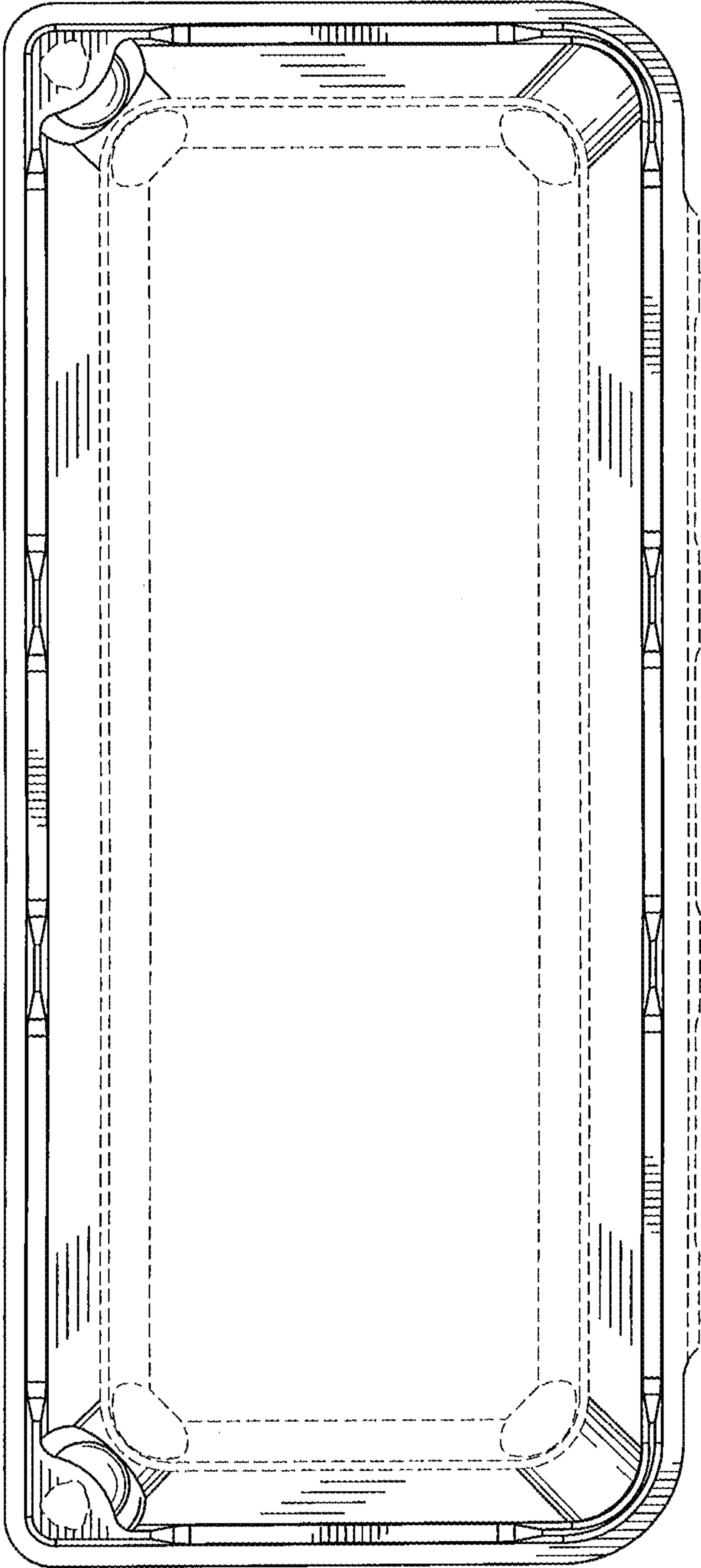


Fig.9