



US00D756765S

(12) **United States Design Patent**
Zaharis

(10) **Patent No.:** **US D756,765 S**

(45) **Date of Patent:** **** *May 24, 2016**

(54) **SET OF COMPONENTS FOR A CRIMPABLE SEPARABLE TUBING CLAMP**

(71) Applicant: **Mark J. Zaharis**, Selden, NY (US)

(72) Inventor: **Mark J. Zaharis**, Selden, NY (US)

(*) Notice: This patent is subject to a terminal disclaimer.

(**) Term: **14 Years**

(21) Appl. No.: **29/472,204**

(22) Filed: **Nov. 9, 2013**

(51) **LOC (10) Cl.** **08-08**

(52) **U.S. Cl.**
USPC **D8/396**

(58) **Field of Classification Search**
USPC D8/72, 394–396, 356, 383; D23/264, D23/265; 24/20 CW, 23 R, 20 EE, 19, 271, 24/20 W, 30.5 P, 30.5 S; 285/420, 252, 254; 248/74.1–74.4, 65
CPC F16L 33/025; F16L 33/02; F16L 33/12; F16L 21/065; F16L 3/04; B65D 63/06; B65D 63/04; B65D 63/08; B65D 33/1675; B65D 33/1625

See application file for complete search history.

(56) **References Cited**

U.S. PATENT DOCUMENTS

1,470,536	A *	10/1923	Lange	220/762
2,760,262	A *	8/1956	Homan	29/513
3,020,631	A *	2/1962	Kennedy	29/417
3,789,463	A *	2/1974	Oetiker	24/20 CW
3,869,944	A *	3/1975	Detiker	81/9.3
4,299,012	A *	11/1981	Oetiker	24/19
4,315,348	A *	2/1982	Oetiker	24/20 CW
D268,735	S *	4/1983	Kanao	D8/396
4,451,955	A *	6/1984	Kern et al.	24/20 CW
4,583,773	A *	4/1986	Janssen et al.	285/382
4,750,242	A *	6/1988	Calmettes et al.	24/20 R
D304,676	S *	11/1989	Glynn	D8/395

4,948,178	A *	8/1990	Sauer	285/242
D313,392	S *	1/1991	Sachs	D13/133
4,998,326	A *	3/1991	Oetiker	24/20 R
RE33,639	E *	7/1991	Oetiker	24/20 CW
5,305,499	A *	4/1994	Oetiker	24/20 R
5,326,325	A *	7/1994	Oetiker	464/180
5,669,113	A *	9/1997	Fay	24/20 CW
5,687,457	A *	11/1997	Hama	24/20 CW
D404,953	S *	2/1999	Fransson	D6/580
6,240,603	B1 *	6/2001	Craig, Jr.	24/20 CW
6,560,823	B1 *	5/2003	Craig, Jr.	24/19
7,024,731	B2 *	4/2006	Craig, Jr.	24/20 CW

(Continued)

Primary Examiner — John Windmuller

Assistant Examiner — Steven Czyn

(74) *Attorney, Agent, or Firm* — Richard L. Miller

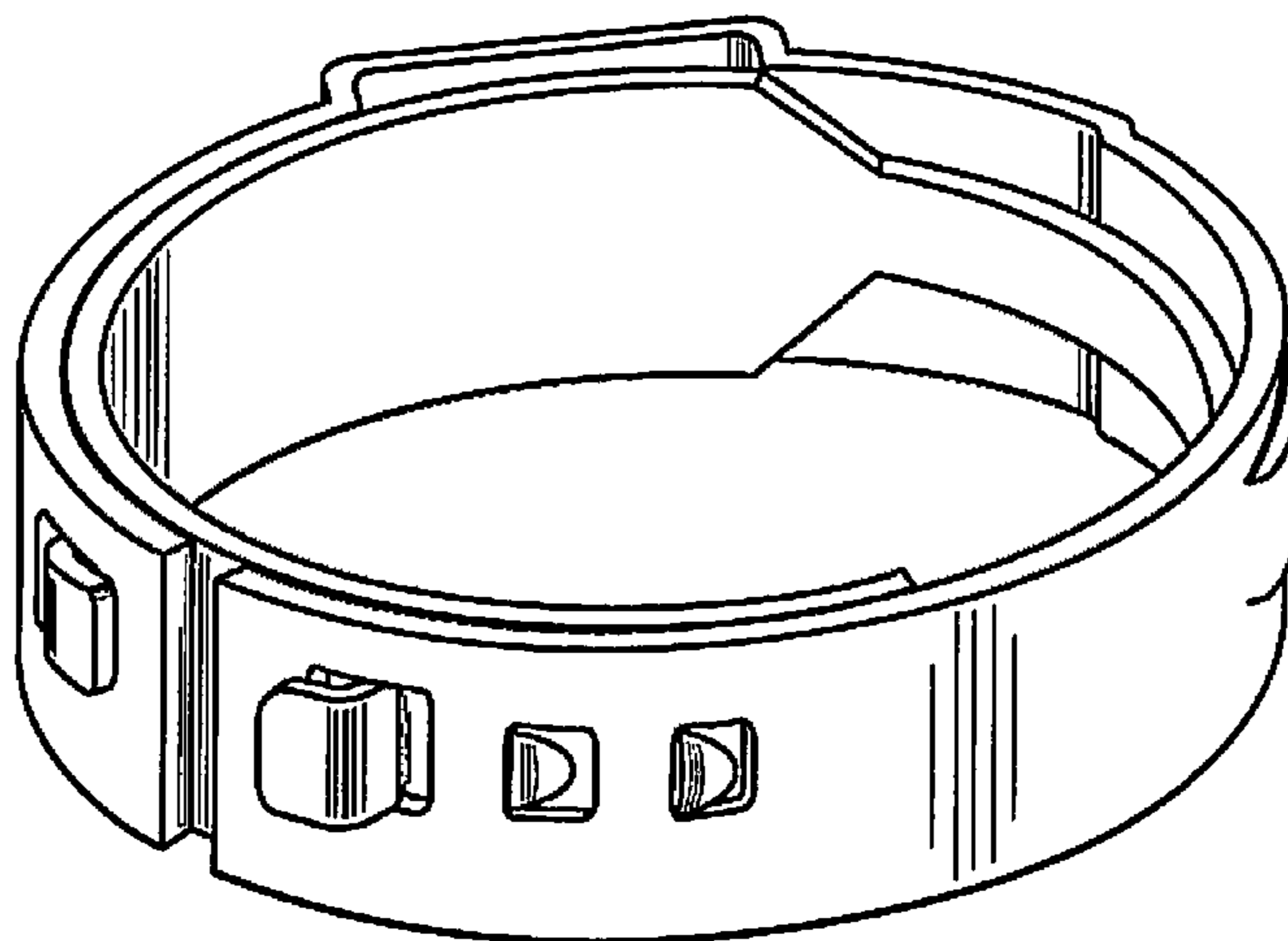
(57) **CLAIM**

The ornamental design for a set of components for a crimpable separable tubing clamp, as shown and described.

DESCRIPTION

FIG. 1 is a perspective view of a set of components for a crimpable separable tubing clamp showing my new design; FIG. 2 is a perspective view of the inner component set of the crimpable separable tubing clamp showing my new design; FIG. 3 is a front elevation view thereof; FIG. 4 is a left side elevation view thereof; FIG. 5 is a top plan view, with the bottom plan view as mirror image thereof; FIG. 6 is a right side elevation view thereof; FIG. 7 is a rear elevation view thereof; FIG. 8 is a perspective view of the outer component set of the crimpable separable tubing clamp showing my new design; FIG. 9 is a front elevation view thereof; FIG. 10 is a left side elevation view thereof; FIG. 11 is a top plan view, with the bottom plan view as mirror image thereof; FIG. 12 is a right side elevation view thereof; and, FIG. 13 is a rear elevation view thereof.

1 Claim, 5 Drawing Sheets



(56)

References Cited

U.S. PATENT DOCUMENTS

D531,493	S *	11/2006	Ho	D8/396	8,424,167	B2 *	4/2013	Meier et al.	24/20	CW
7,360,800	B2	4/2008	Poll et al.			D703,033	S *	4/2014	Karlsson	D8/396	
7,631,908	B2 *	12/2009	Meier et al.	292/256	8,875,354	B2 *	11/2014	Miessmer	24/20	CW
D610,868	S *	3/2010	Andersson	D7/387	2002/0189055	A1 *	12/2002	Oetiker et al.	24/20	CW
7,987,561	B2 *	8/2011	Zhang	24/20 R	2003/0014846	A1 *	1/2003	Kim	24/20	R
D647,394	S *	10/2011	Taylor	D8/396	2004/0134041	A1 *	7/2004	Craig, Jr.	24/20	CW
D653,103	S *	1/2012	Tomasi et al.	D8/396	2005/0223526	A1 *	10/2005	Oetiker et al.	24/20	CW
D653,529	S *	2/2012	Tomasi et al.	D8/396	2006/0117534	A1 *	6/2006	Craig	24/20	CW
D653,530	S *	2/2012	Hammond et al.	D8/396	2008/0012303	A1	1/2008	Poll et al.			
D654,785	S *	2/2012	Clorley	D8/396	2008/0155794	A1 *	7/2008	Craig	24/20	CW
8,230,556	B2 *	7/2012	Palau Dominguez	24/20 R	2008/0155795	A1 *	7/2008	Craig	24/20	R
8,286,308	B2 *	10/2012	Streuli	24/20 R	2009/0151133	A1 *	6/2009	Zhang	24/20	R
D676,738	S *	2/2013	Hammond et al.	D8/396	2009/0172924	A1 *	7/2009	Ito et al.	24/20	CW
						2011/0173779	A1 *	7/2011	Meier et al.	24/19	
						2012/0246920	A1	10/2012	Montena			

* cited by examiner

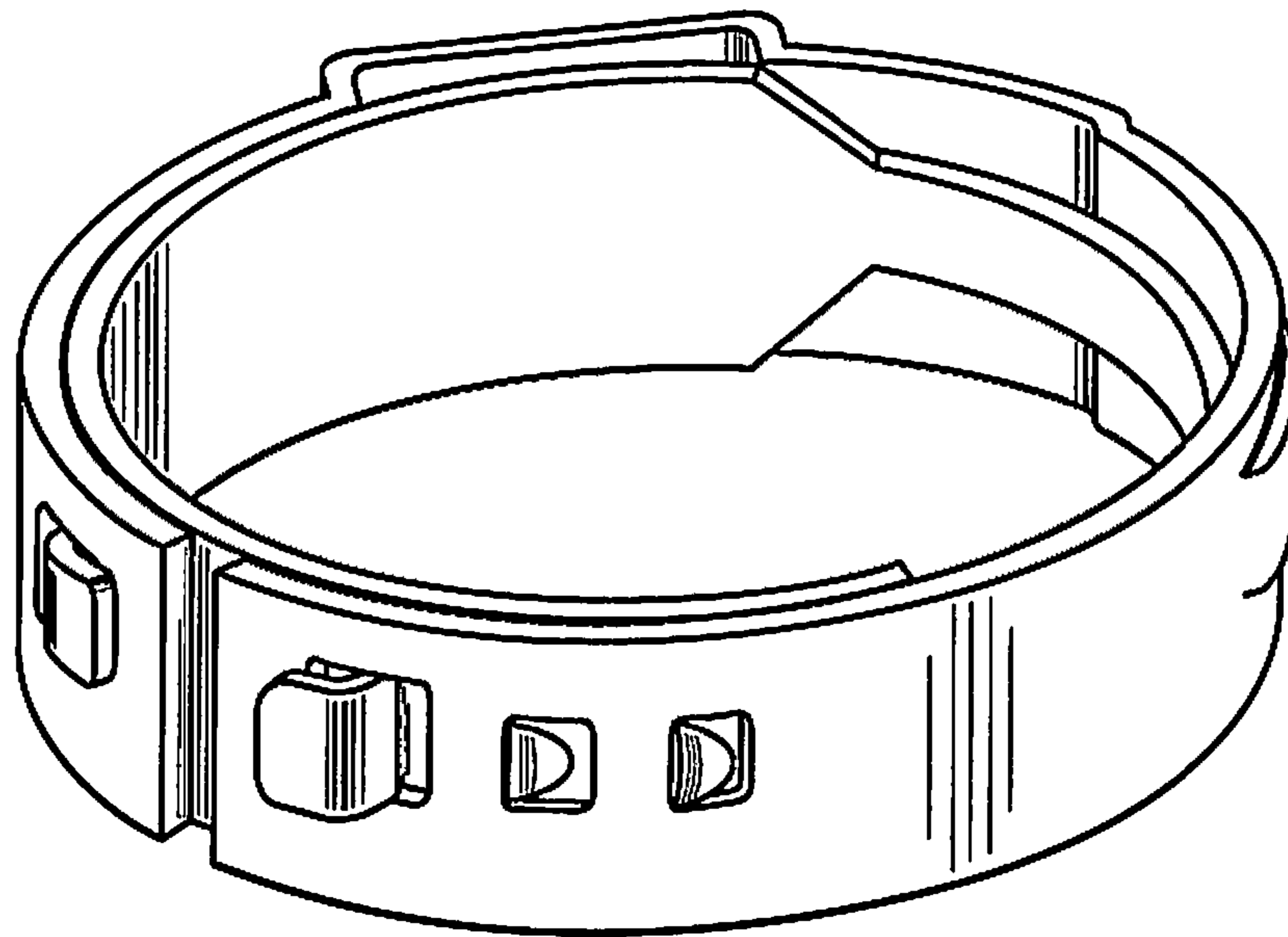


Fig. 1

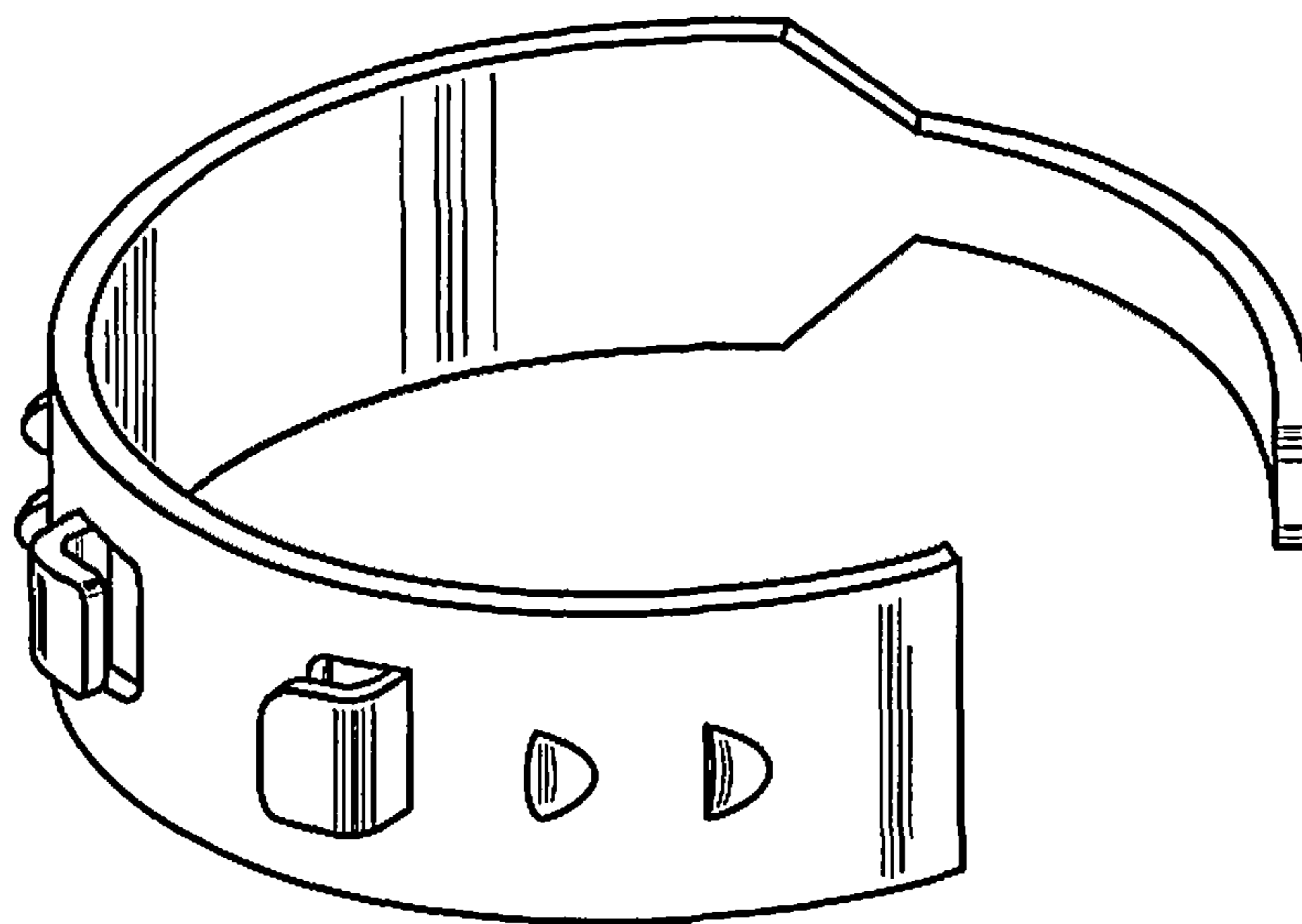


Fig. 2

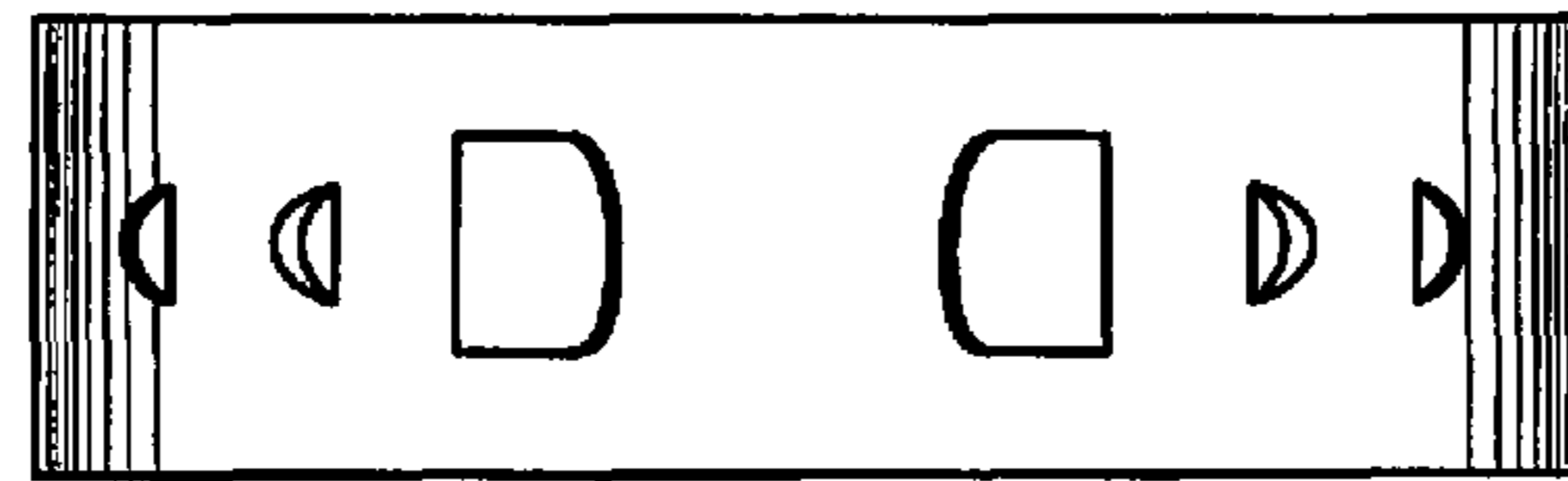


Fig. 3

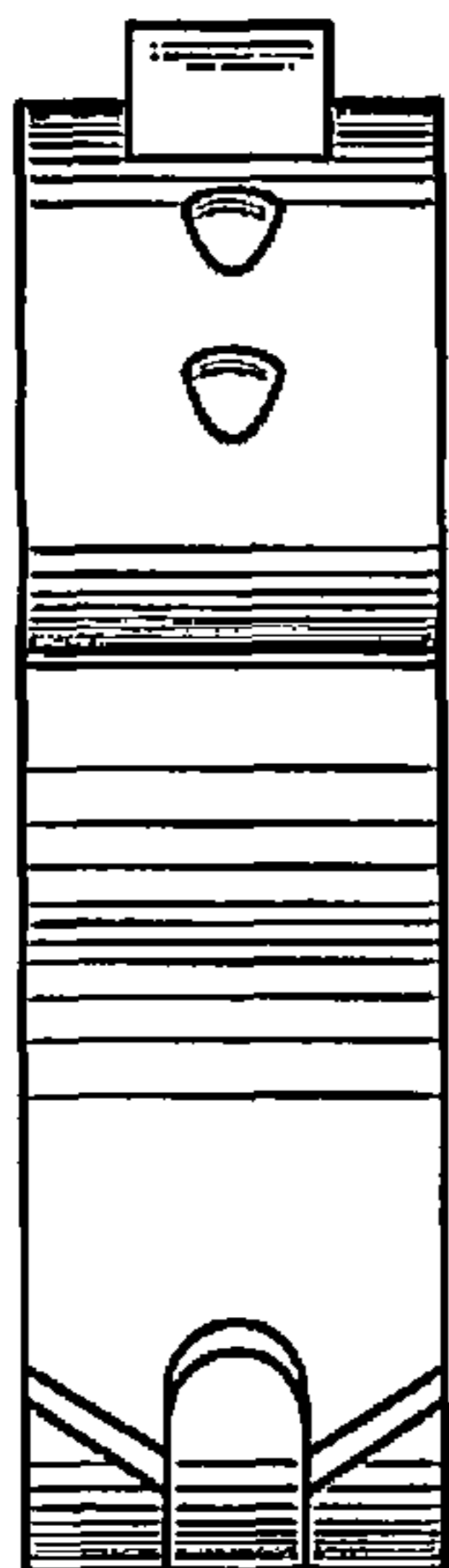


Fig. 4

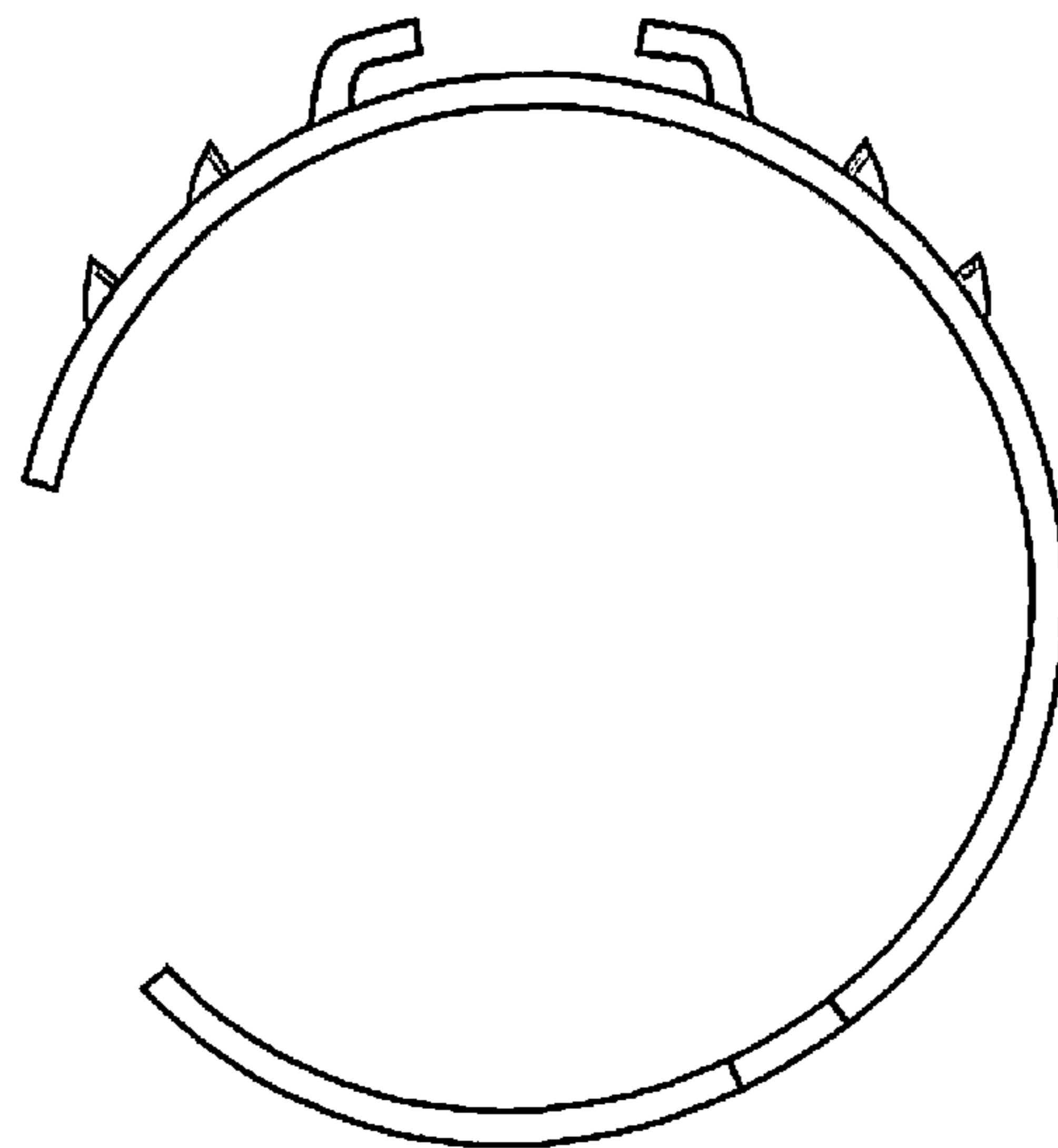


Fig. 5

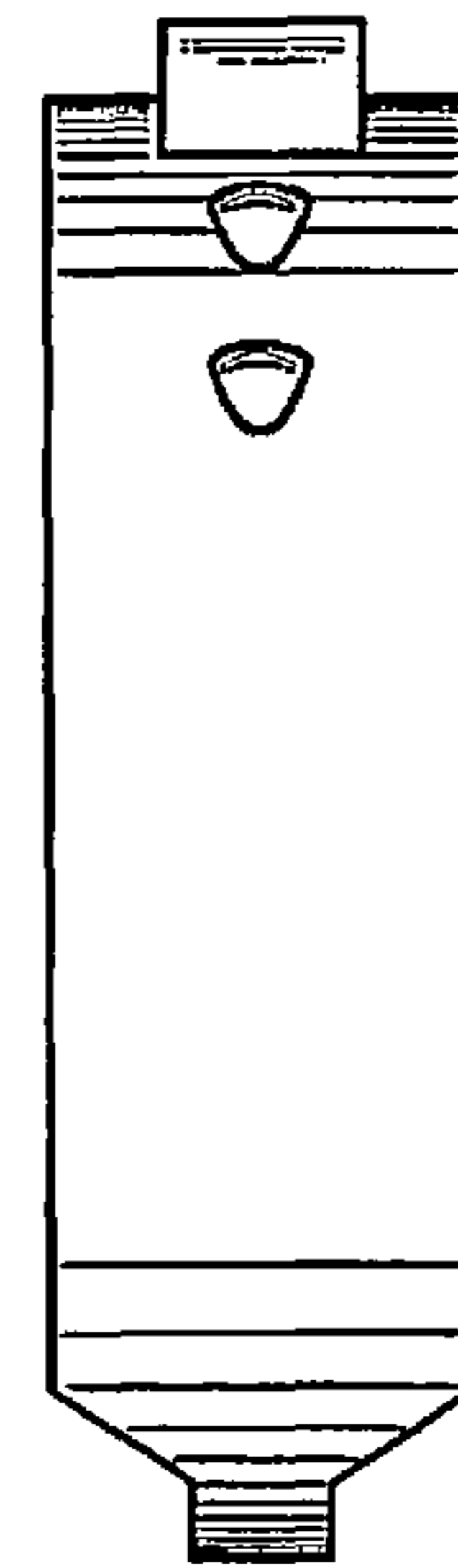


Fig. 6

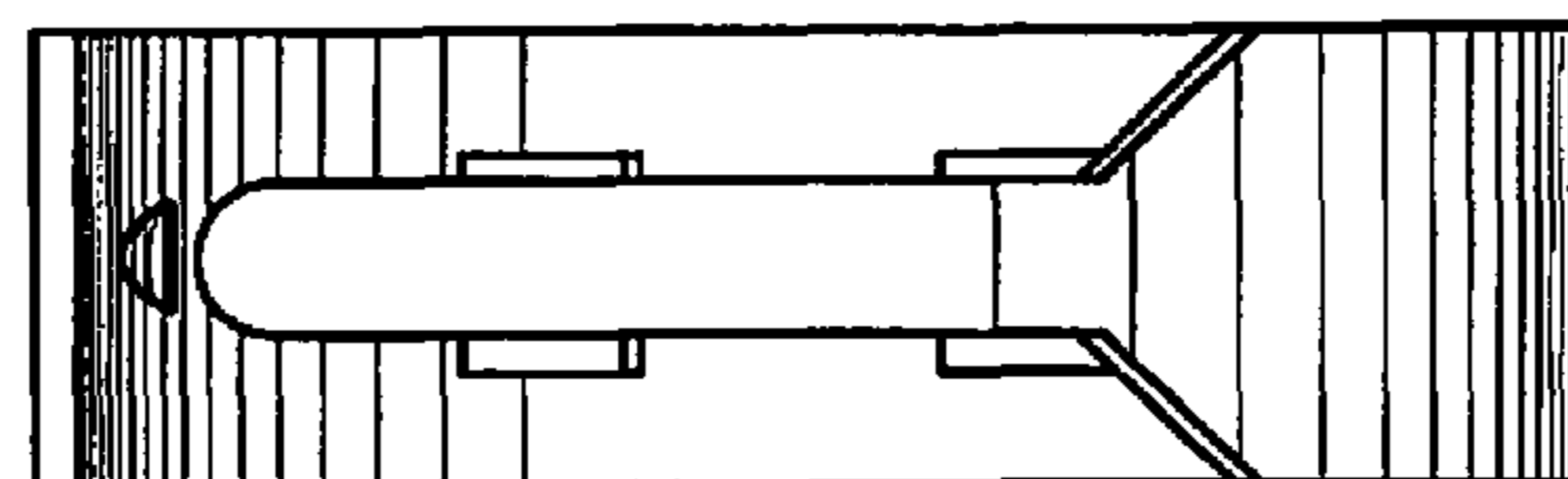


Fig. 7

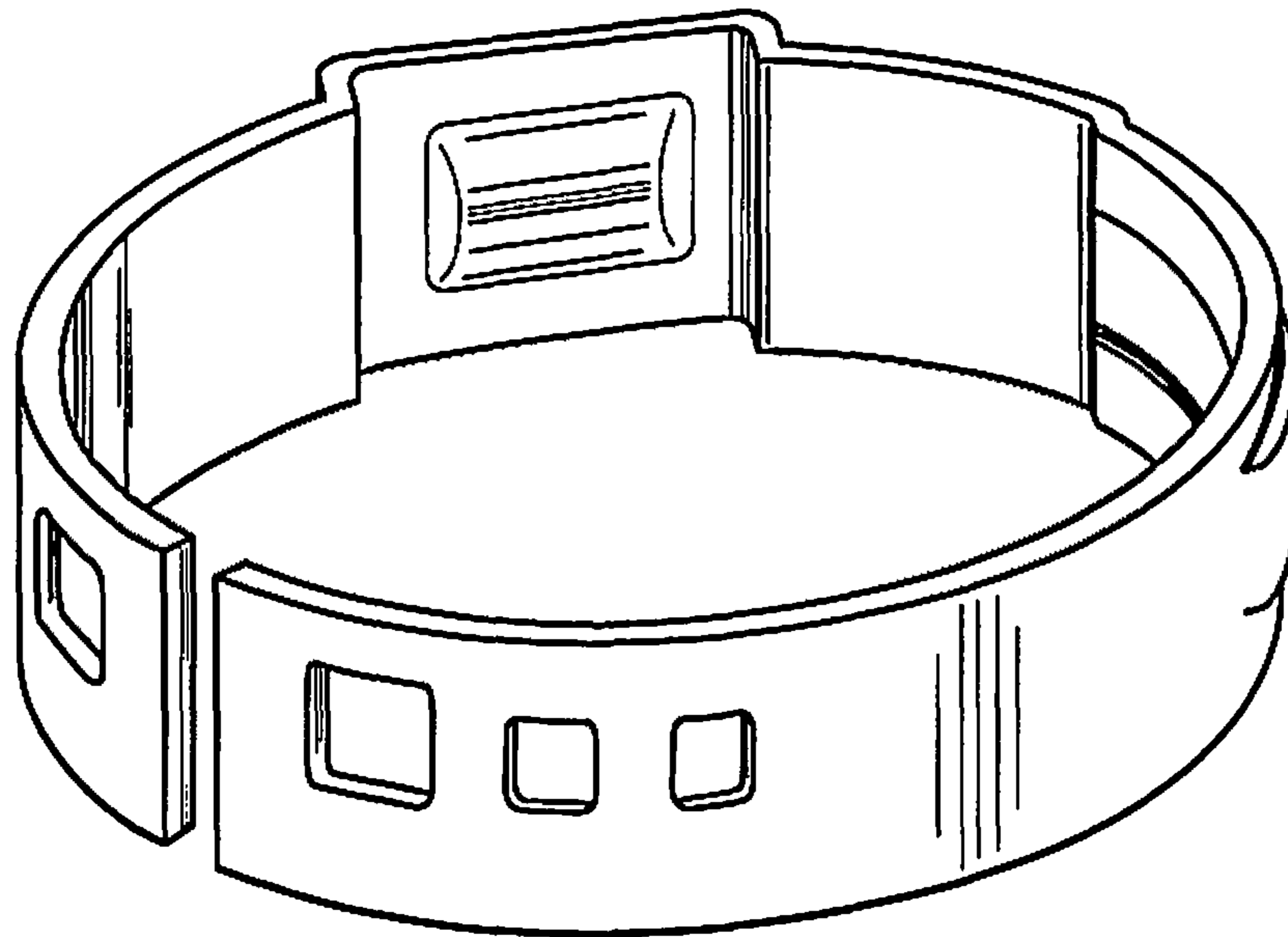


Fig. 8

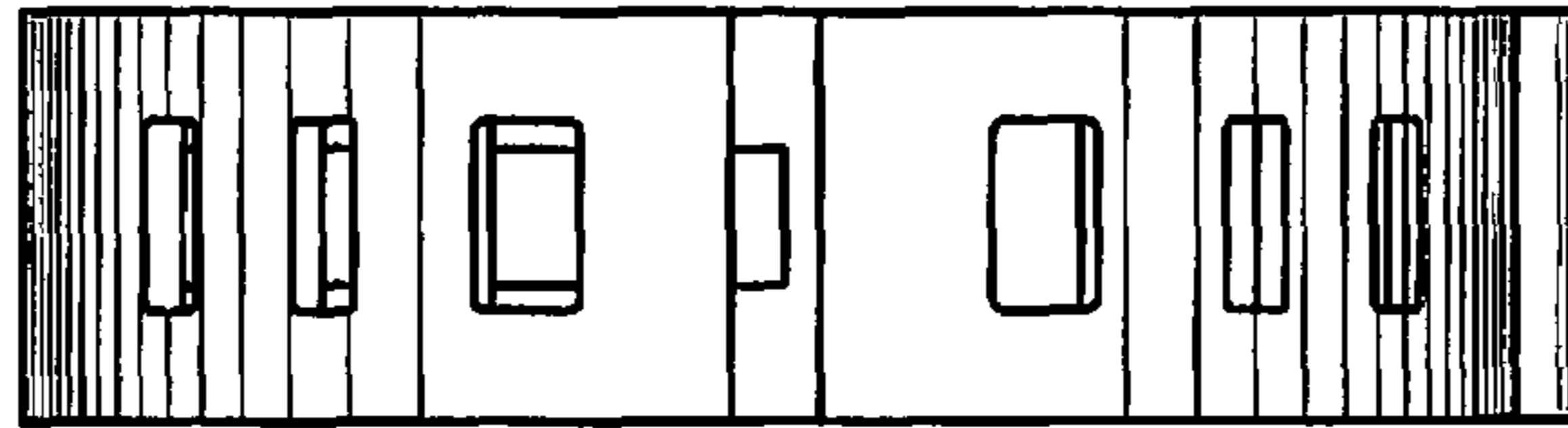


Fig. 9

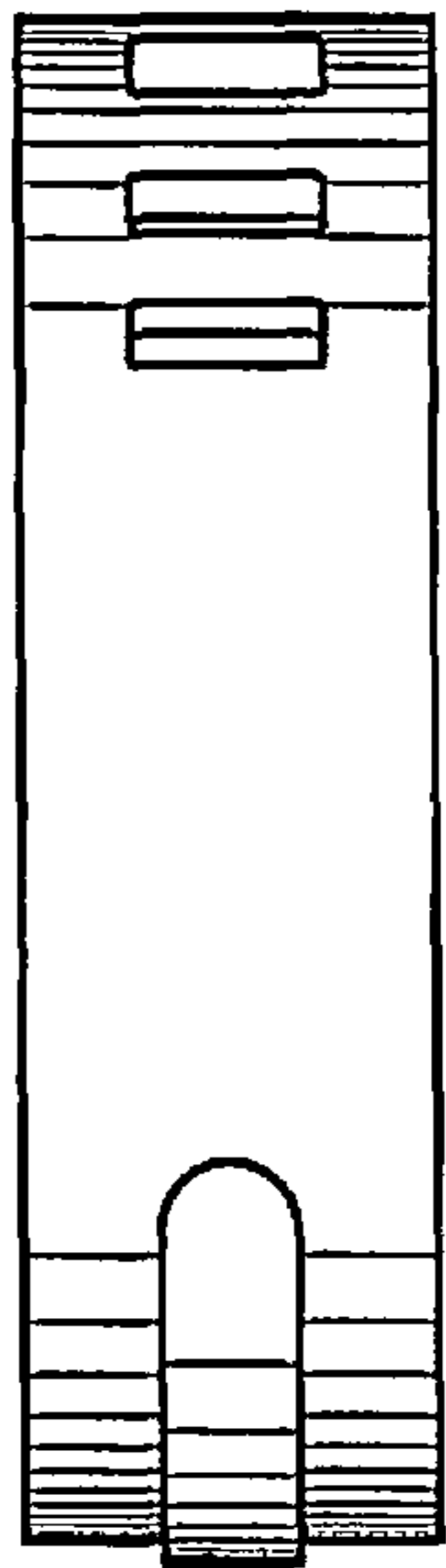


Fig. 10

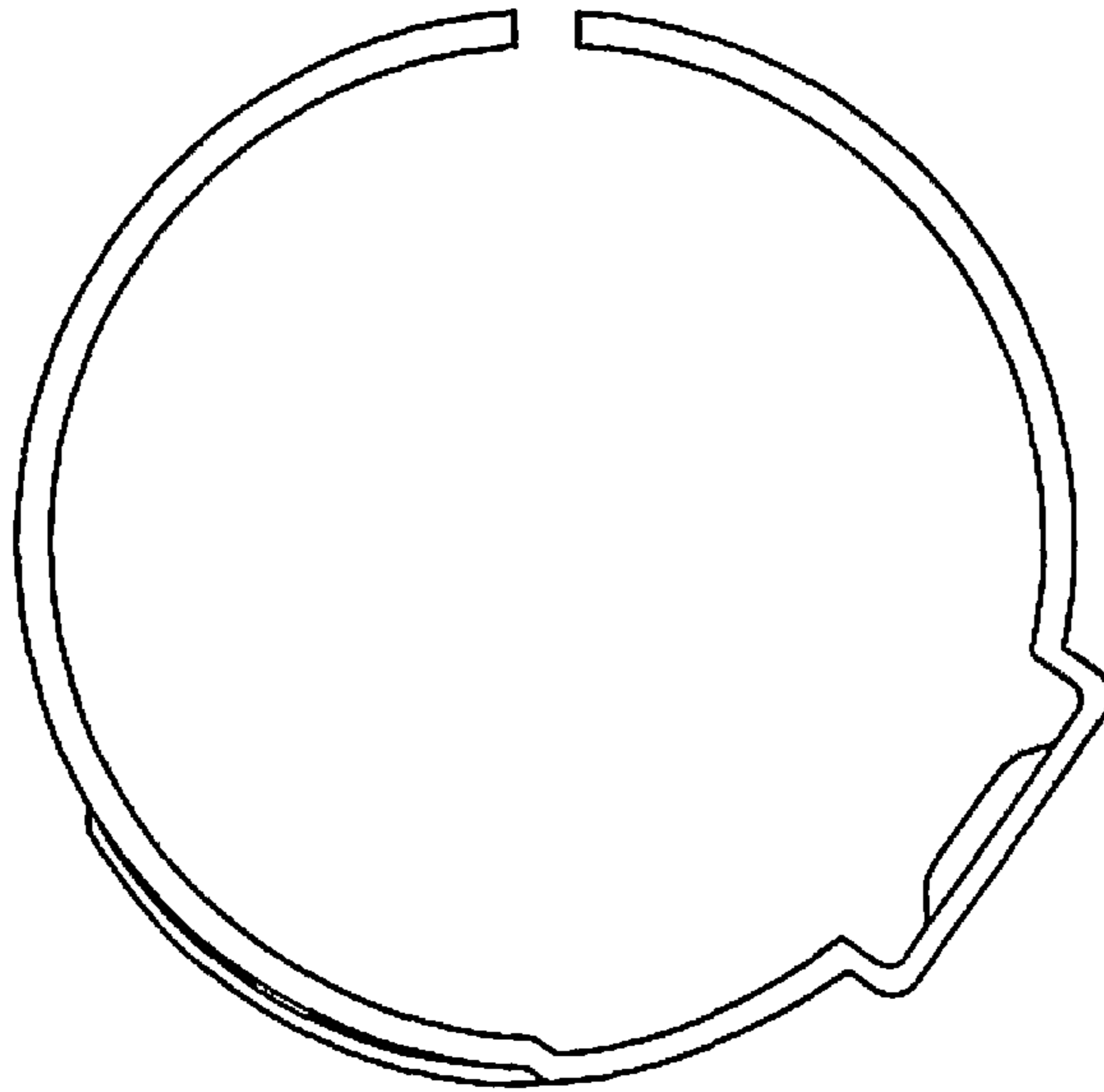


Fig. 11



Fig. 12

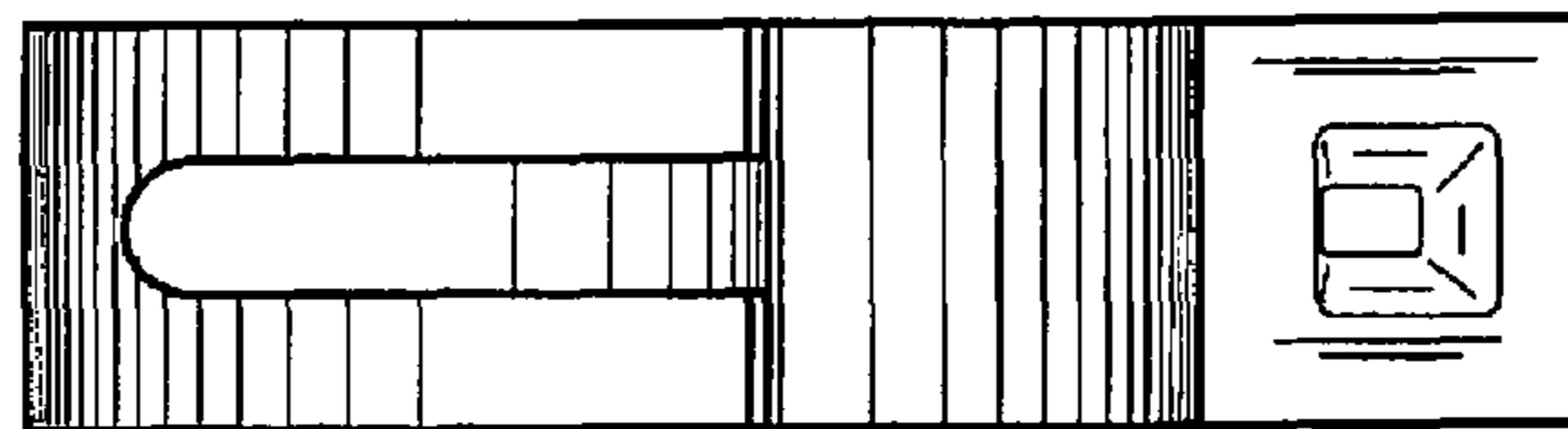


Fig. 13