



US00D756764S

(12) **United States Design Patent**  
**Limber**

(10) **Patent No.:** **US D756,764 S**  
(45) **Date of Patent:** **\*\* May 24, 2016**

(54) **TEMPORARY SUPPORT DEVICE FOR ORNAMENTAL LIGHTING**

(71) Applicant: **Jamie Limber**, Phoenix, AZ (US)

(72) Inventor: **Jamie Limber**, Phoenix, AZ (US)

(\*\*) Term: **15 Years**

(21) Appl. No.: **29/544,626**

(22) Filed: **Nov. 4, 2015**

(51) **LOC (10) Cl.** ..... **08-08**

(52) **U.S. Cl.**  
USPC ..... **D8/395**

(58) **Field of Classification Search**  
USPC ..... D8/394-396, 72; D19/56, 65;  
D32/60-64; D28/40; 24/67.3  
CPC ..... D06F 55/00; A44D 2203/00; A61B  
17/0664; A61B 17/04; A61B 17/1265; A43D  
79/00; A41B 3/08; A41F 15/02  
See application file for complete search history.

D321,125 S	10/1991	Gary	
D321,314 S	11/1991	Gary	
D322,211 S	12/1991	Gary	
D324,990 S	3/1992	Gary	
D324,991 S	3/1992	Gary	
D325,866 S	5/1992	Gary	
D328,363 S	7/1992	Young	
5,142,461 A	8/1992	Nugent	
D336,031 S	6/1993	Kaplan	
D337,851 S	7/1993	Gary	
5,249,108 A	9/1993	Gary	
D340,183 S	10/1993	Rumpel	
D342,280 S	12/1993	Revis	
D349,584 S	8/1994	Carlisle	
D356,246 S	3/1995	Adams	
D356,492 S	3/1995	Adams	
D361,506 S	8/1995	Rumpel	
D364,333 S	11/1995	Fillipp	
D365,170 S	12/1995	Ng	
D369,292 S	4/1996	Gary	
D375,453 S	11/1996	Fleck	
D376,535 S *	12/1996	Gary	D26/138
5,581,956 A *	12/1996	Fennessy	F21V 21/088 248/237

(Continued)

*Primary Examiner* — John Windmuller

(74) *Attorney, Agent, or Firm* — Iussa Law, PLLC

(56) **References Cited**

U.S. PATENT DOCUMENTS

2,703,359 A	3/1955	Miller
D271,336 S	11/1983	Squitieri
D294,457 S	3/1988	Doty
4,851,977 A	7/1989	Gary
4,877,209 A	10/1989	Gary
4,901,960 A	2/1990	Gary
4,905,131 A	2/1990	Gary
D306,553 S	3/1990	Rumpel
D308,263 S	5/1990	Cook
D309,705 S	8/1990	Rodden
4,962,907 A	10/1990	Gary
D316,510 S	4/1991	Doty
D316,958 S	5/1991	Rumpel
D317,252 S	6/1991	Rumpel
D318,536 S	7/1991	Jones
D319,575 S	9/1991	Young
D321,124 S	10/1991	Gary

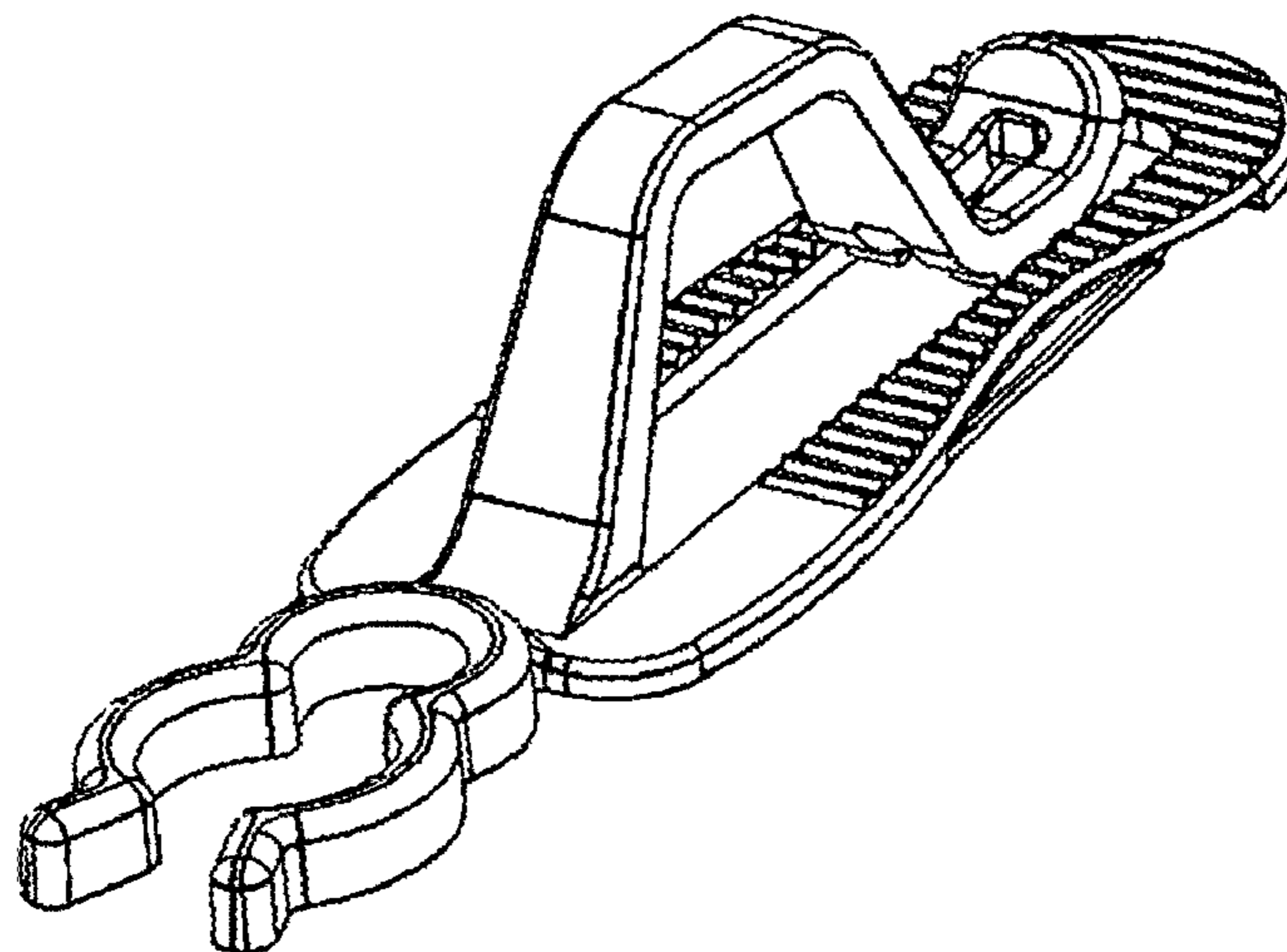
(57) **CLAIM**

The ornamental design for a temporary support device for ornamental lighting, as shown and described.

**DESCRIPTION**

FIG. 1 is a perspective view of the temporary support device for ornamental lighting showing a front, a top, and a right side of my new design;  
FIG. 2 is the front view thereof;  
FIG. 3 is a back view thereof;  
FIG. 4 is the top view thereof;  
FIG. 5 is a bottom view thereof; and,  
FIG. 6 is a left side view thereof; and the right view is not shown, but is a mirror image of the left side view.

**1 Claim, 6 Drawing Sheets**



(56)

References Cited

U.S. PATENT DOCUMENTS

5,609,415 A	3/1997	Protz, Jr.	
D402,396 S	12/1998	Protz, Jr.	
D414,291 S *	9/1999	Gary .....	D26/138
D417,612 S	12/1999	Jones	
D421,318 S	2/2000	O'Brien	
D422,203 S	4/2000	Gary	
D424,418 S	5/2000	Gary	
D427,510 S	7/2000	Gary	
D435,684 S	12/2000	Gary	
D442,069 S	5/2001	Gallagher	
D451,007 S	11/2001	Gary	
D460,912 S	7/2002	Gary	
D467,400 S *	12/2002	Barre .....	D32/61
D469,682 S	2/2003	Gary	
D470,937 S	2/2003	Gary	
6,536,727 B1	3/2003	Limber	
6,572,062 B1	6/2003	Limber	
D477,773 S	7/2003	Gary	
D482,489 S	11/2003	Gary	
6,685,151 B2	2/2004	Vasquez	
D494,849 S *	8/2004	Jones .....	D8/395
D518,367 S *	4/2006	Hay .....	D8/395
D531,018 S *	10/2006	Jackson .....	D8/395
D537,330 S *	2/2007	Cox .....	D8/395
D538,636 S *	3/2007	Jackson .....	D8/395
D547,170 S *	7/2007	Cox .....	D8/395
D552,463 S	10/2007	French	
D562,675 S *	2/2008	Cox .....	D8/395
D564,341 S	3/2008	Kelleghan	
D564,347 S	3/2008	Limber	
D665,246 S *	8/2012	Laguelle .....	D8/395
D667,724 S *	9/2012	Mangano .....	D8/395
D675,086 S	1/2013	Gary	
D675,087 S	1/2013	Gary	
D675,509 S	2/2013	Gary	
D675,510 S *	2/2013	Gary .....	D8/395
D675,511 S	2/2013	Gary	
D675,512 S	2/2013	Gary	
D682,464 S	5/2013	Gary	
D696,105 S *	12/2013	Devilliers .....	D8/395
D734,133 S	7/2015	Spindler	

\* cited by examiner

Fig. 1

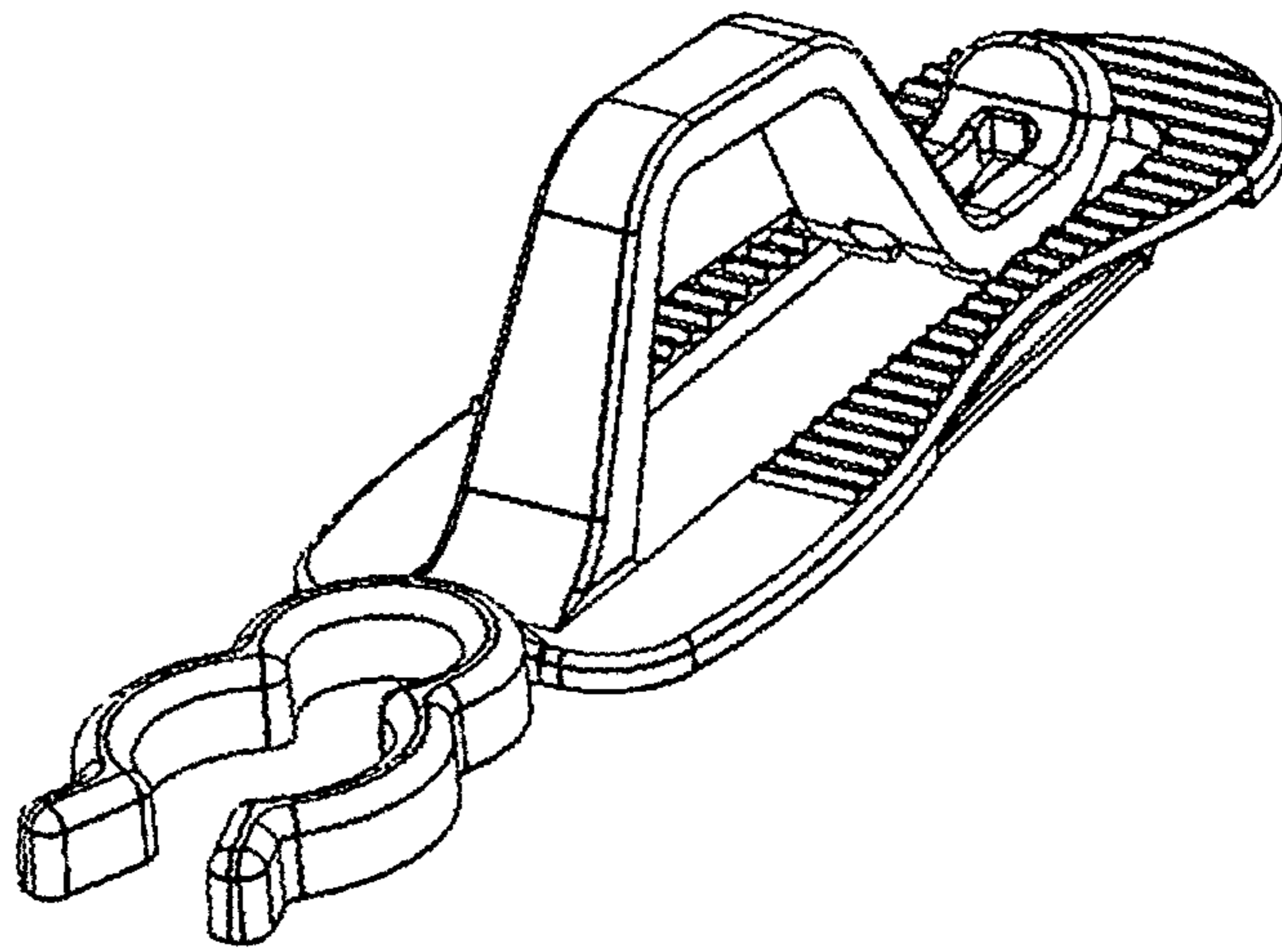


Fig. 2

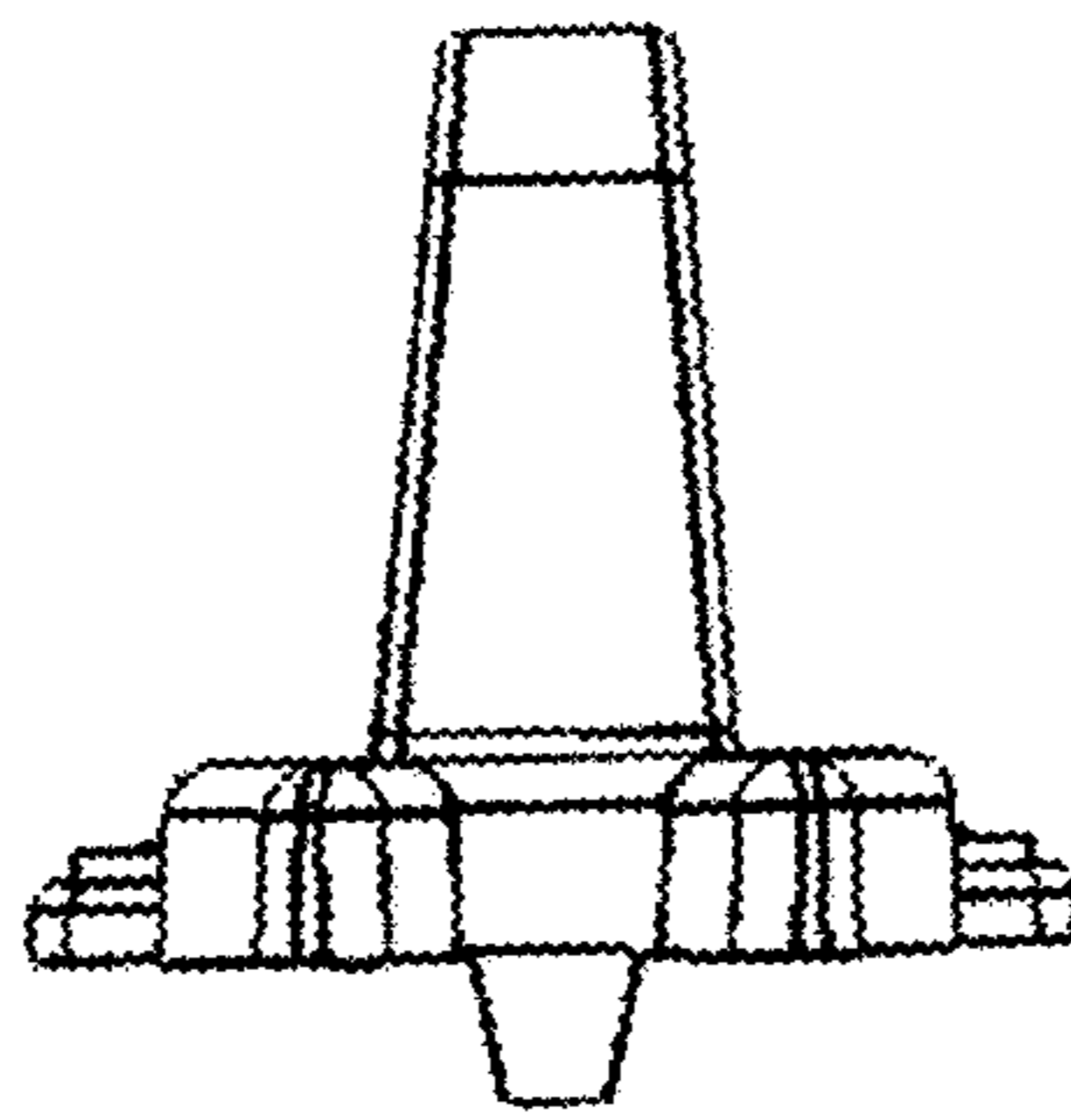


Fig. 3

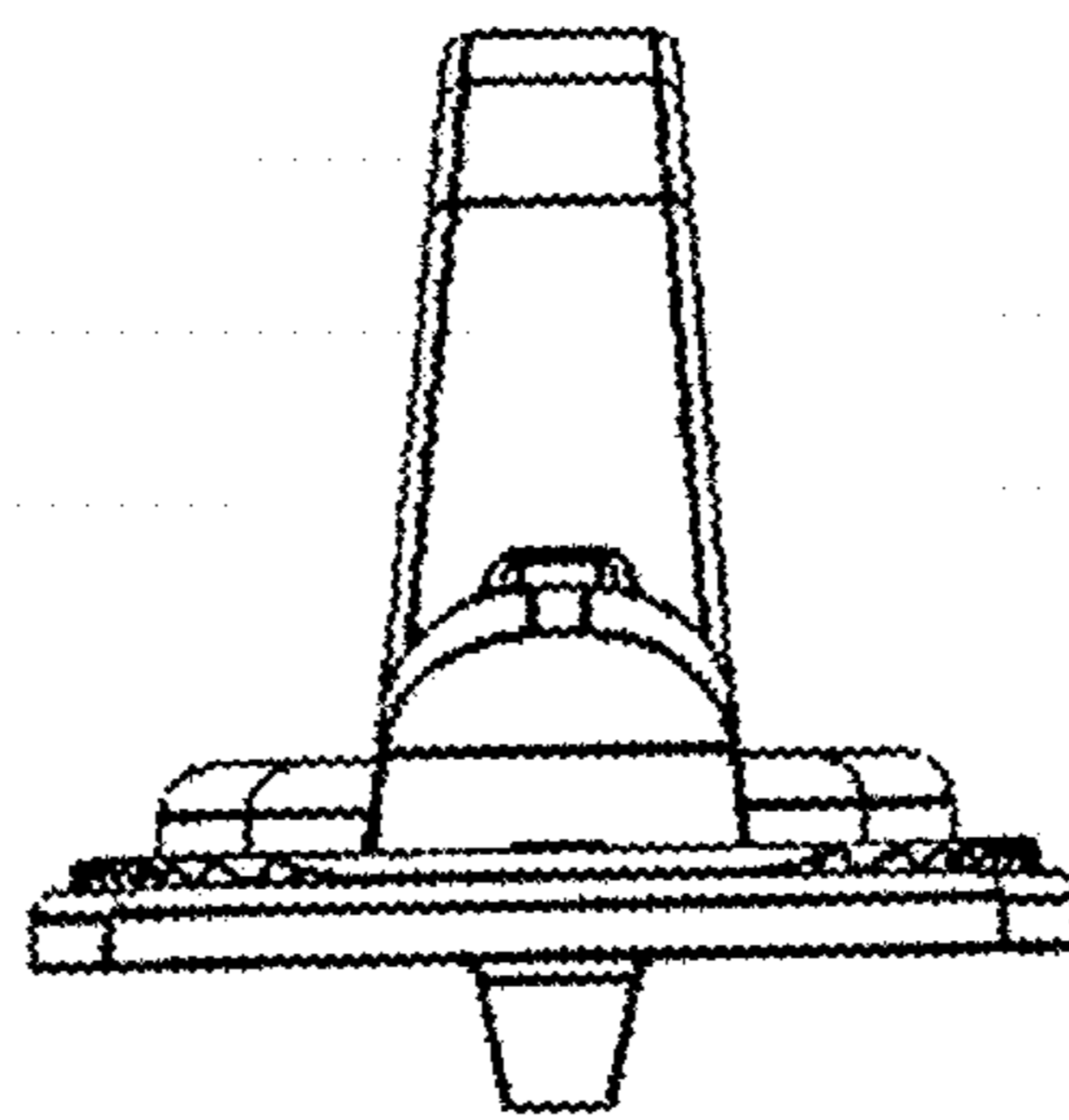


Fig. 4

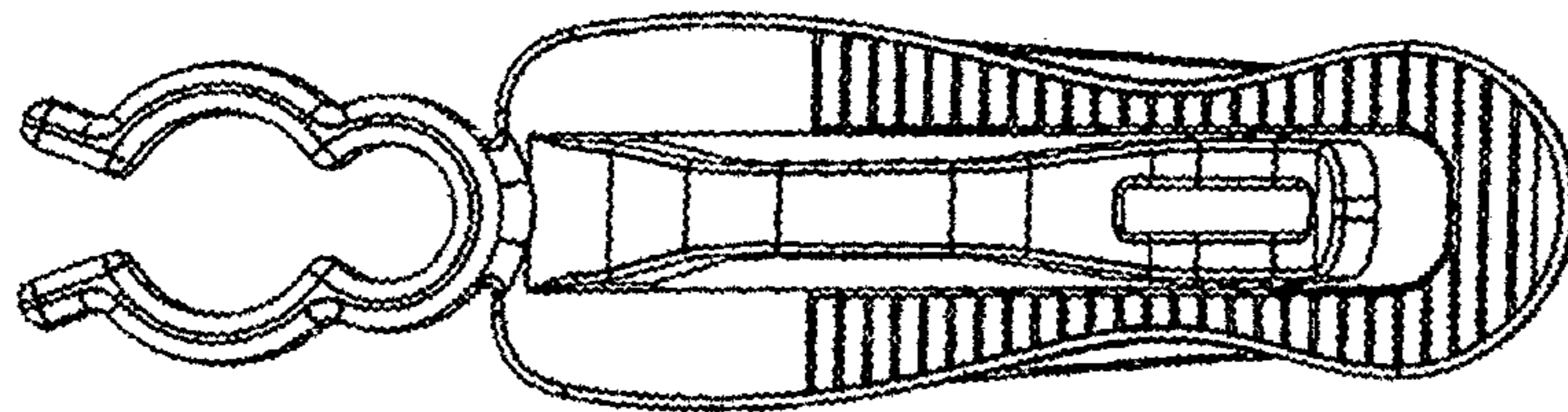


Fig. 5

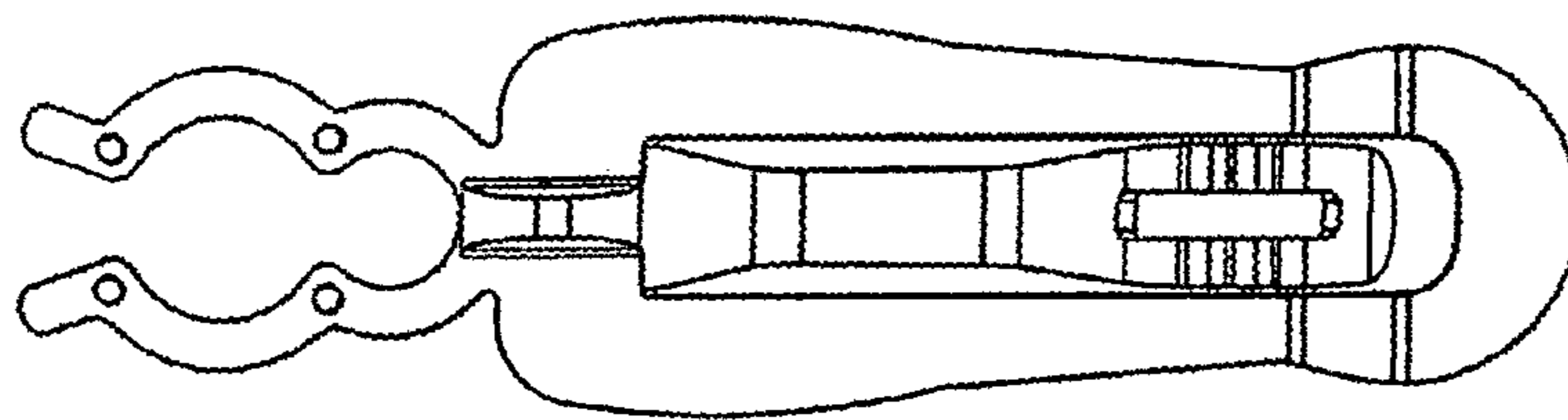




Fig. 6

