



US00D756763S

(12) **United States Design Patent**  
**Swan et al.**

(10) **Patent No.:** **US D756,763 S**  
(45) **Date of Patent:** **\*\* May 24, 2016**

(54) **RAIL CLAMP WITH PLASTIC SNAP**

(71) Applicant: **S & S Precision, LLC**, Virginia Beach, VA (US)

(72) Inventors: **Johnny E. Swan**, Virginia Beach, VA (US); **Andrew C. Borland**, Virginia Beach, VA (US); **William-Joseph Basan Elizalde**, Virginia Beach, VA (US)

(73) Assignee: **S & S PRECISION, LLC**, Virginia Beach, VA (US)

(\*\*) Term: **14 Years**

(21) Appl. No.: **29/461,689**

(22) Filed: **Jul. 26, 2013**

(51) **LOC (10) Cl.** ..... **08-08**

(52) **U.S. Cl.**  
USPC ..... **D8/394; D22/109**

(58) **Field of Classification Search**  
USPC ..... D8/394–396, 349, 354, 355;  
D22/108–110; 24/16 R, 274 R, 274 P;  
42/71.01, 107; 248/49, 62, 74.1–74.4,  
248/73  
CPC ..... F16L 3/233; F16L 33/08; F16L 33/04;  
F16L 3/26; F16L 3/14; F16L 3/12; F16L  
3/13; F41C 23/16; B21C 37/153  
See application file for complete search history.

(56) **References Cited**

**U.S. PATENT DOCUMENTS**

D197,426	S	*	2/1964	Hussar et al.	.....	D8/394
3,276,800	A	*	10/1966	Loudon et al.	.....	403/397
D271,467	S	*	11/1983	Sakaguchi	.....	D8/382
D360,250	S	*	7/1995	Coste	.....	D22/110
5,606,818	A	*	3/1997	Hardee	.....	42/124
D505,177	S	*	5/2005	Fell et al.	.....	D22/110
D516,157	S	*	2/2006	Ding	.....	D22/110
D571,195	S	*	6/2008	Larsen et al.	.....	D8/394

D584,789	S	*	1/2009	Swan	.....	D22/110
D591,383	S	*	4/2009	Bengtsson	.....	D22/110
D640,536	S	*	6/2011	Larsen et al.	.....	D8/394
D672,839	S	*	12/2012	Ding	.....	D22/109
D681,767	S	*	5/2013	Li et al.	.....	D22/109
8,490,313	B2	*	7/2013	Frascati et al.	.....	42/90
D697,576	S	*	1/2014	Swan et al.	.....	D22/109
D702,796	S	*	4/2014	Healey	.....	D22/108
D702,800	S	*	4/2014	Speroni	.....	D22/108
8,769,859	B2	*	7/2014	Li et al.	.....	42/124
D711,718	S	*	8/2014	Francaviglia	.....	D8/72

(Continued)

*Primary Examiner* — John Windmuller

*Assistant Examiner* — Steven Cxyz

(74) *Attorney, Agent, or Firm* — Kilpatrick Townsend & Stockton LLP

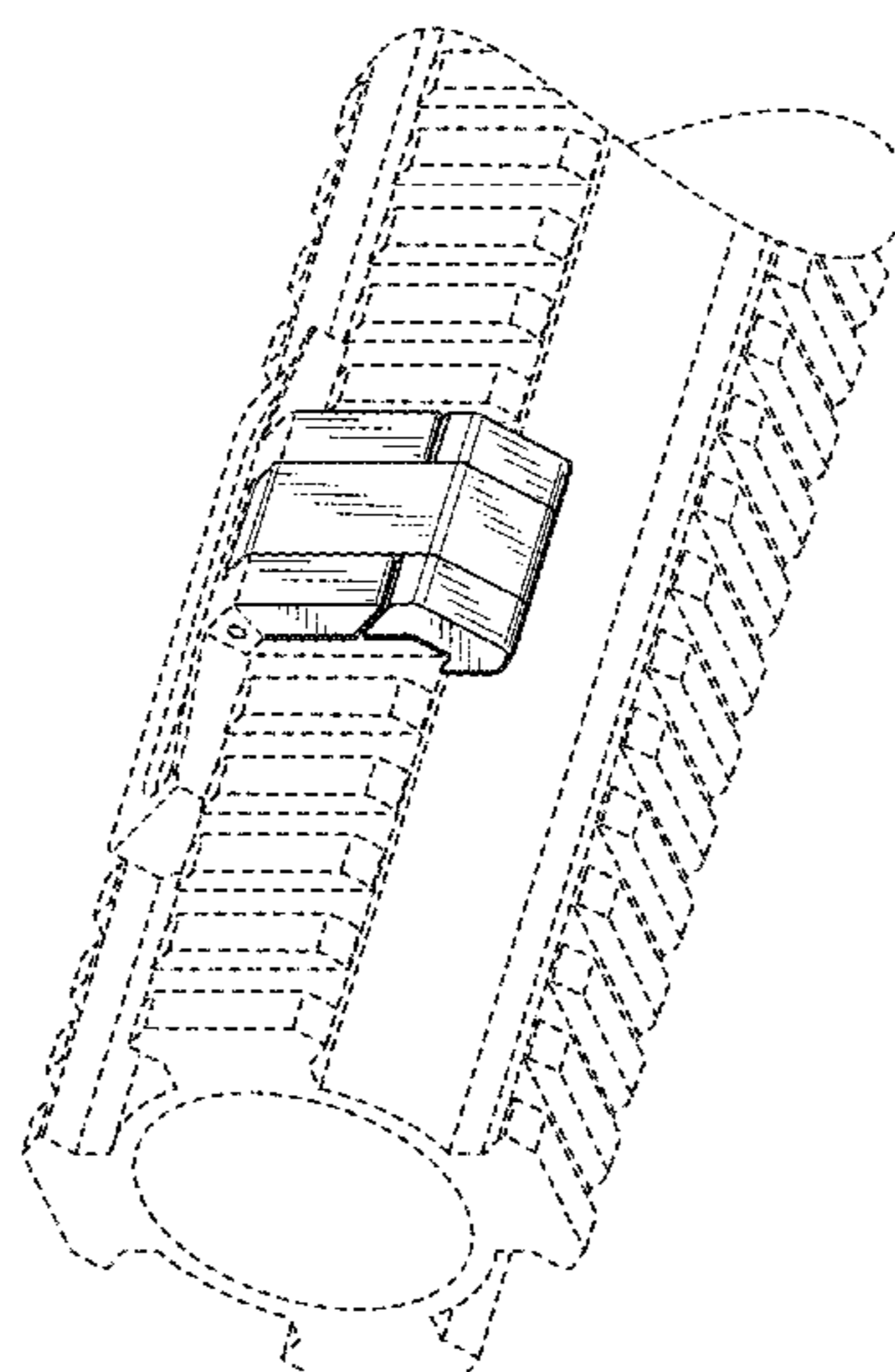
(57) **CLAIM**

The ornamental design for a rail clamp with plastic snap, as shown and described.

**DESCRIPTION**

FIG. 1 is a front perspective view of a first embodiment of a rail clamp with plastic snap showing our new design; FIG. 2 is a top plan view thereof; FIG. 3 is a front view thereof; FIG. 4 is a right side view thereof; FIG. 5 is a left side view thereof; FIG. 6 is a rear view thereof; FIG. 7 is a front perspective view of a second embodiment of a rail clamp with plastic snap showing an alternative attachment use; and, FIG. 8 is a front perspective view of a third embodiment of a rail clamp with plastic snap showing yet another alternative attachment use. The broken line portions showing gun barrel rails and various attachments in FIGS. 1-8, and the exemplary suppressed pistol outline in FIG. 8, are shown to illustrate environment only and form no part of the claimed design.

**1 Claim, 6 Drawing Sheets**



# US D756,763 S

Page 2

---

(56)

## References Cited

U.S. PATENT DOCUMENTS

2006/0123686 A1\* 6/2006 Larue ..... 42/127  
2011/0076095 A1\* 3/2011 Storch et al. .... 403/322.4  
2011/0296731 A1\* 12/2011 Carlson et al. .... 42/90

D718,833 S \* 12/2014 Huang ..... D22/108 \* cited by examiner

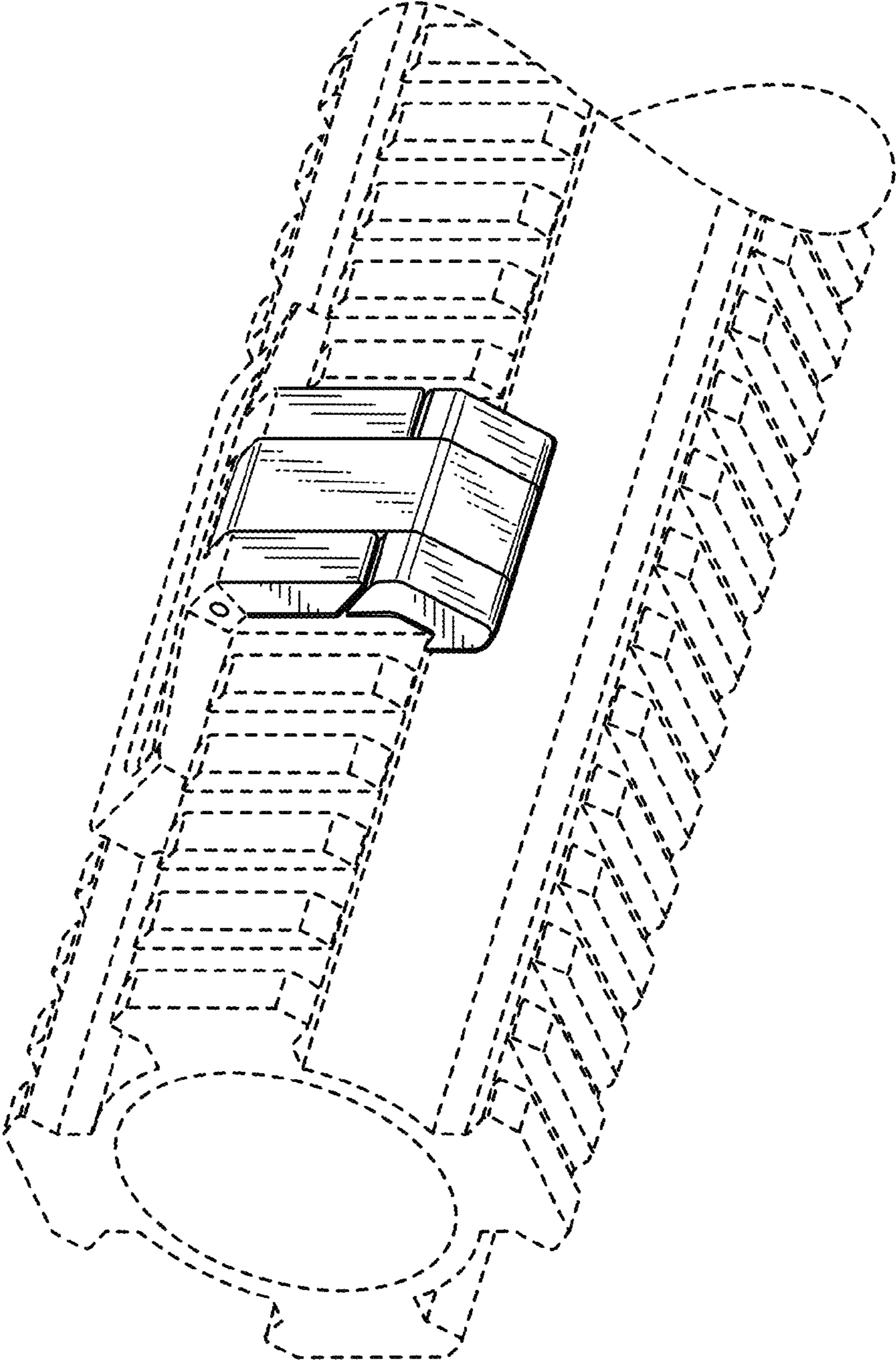


FIG. 1

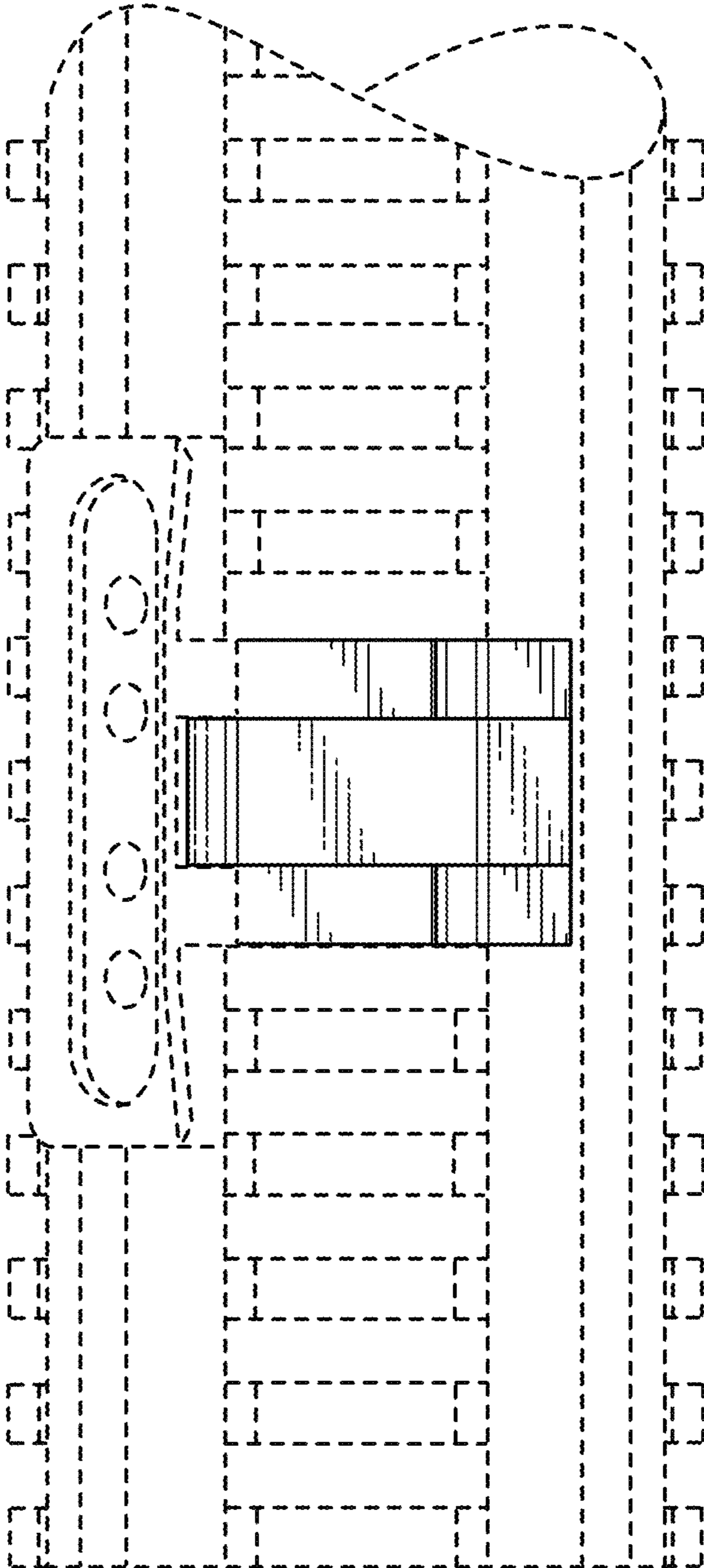


FIG. 2

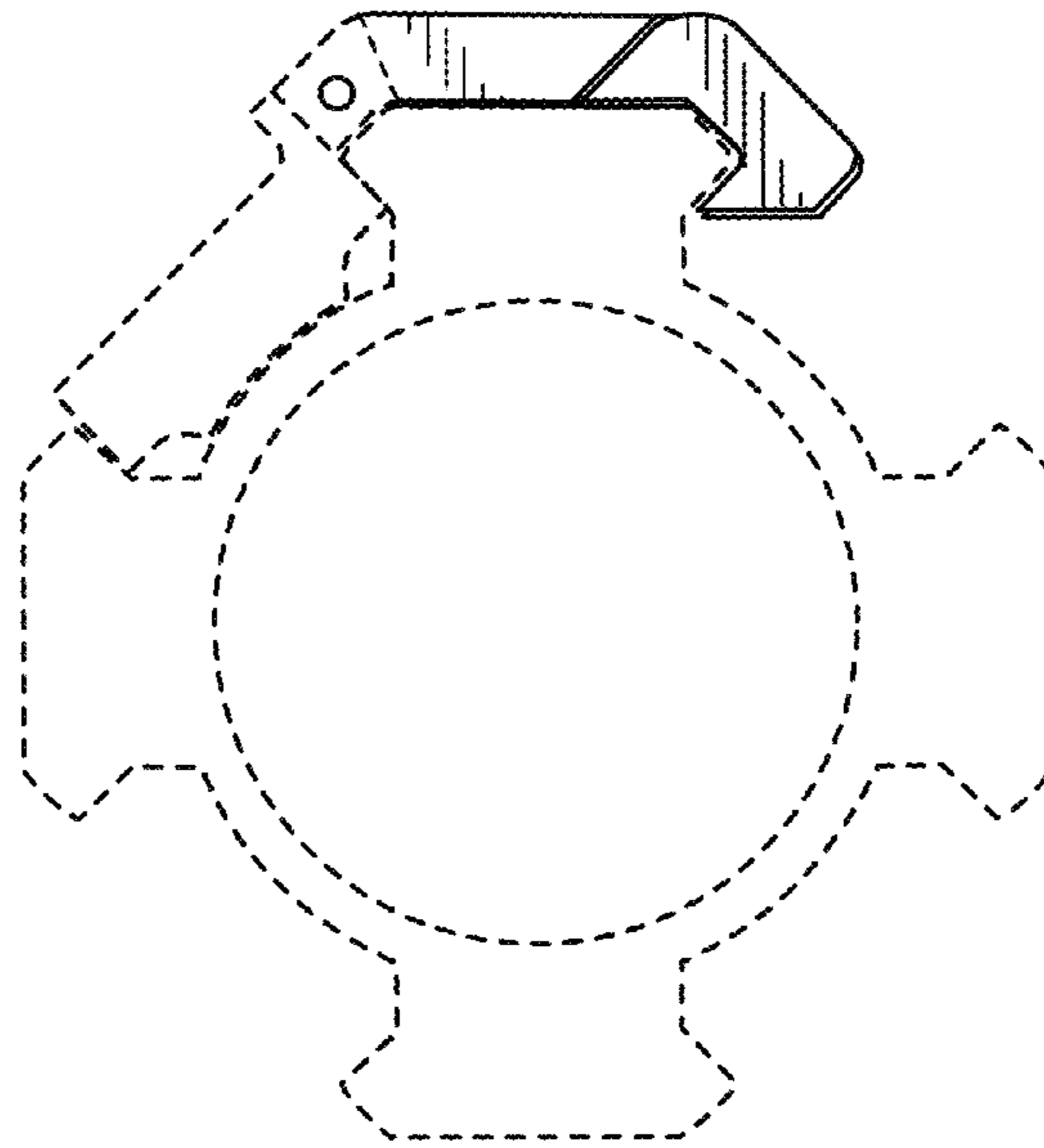


FIG. 3

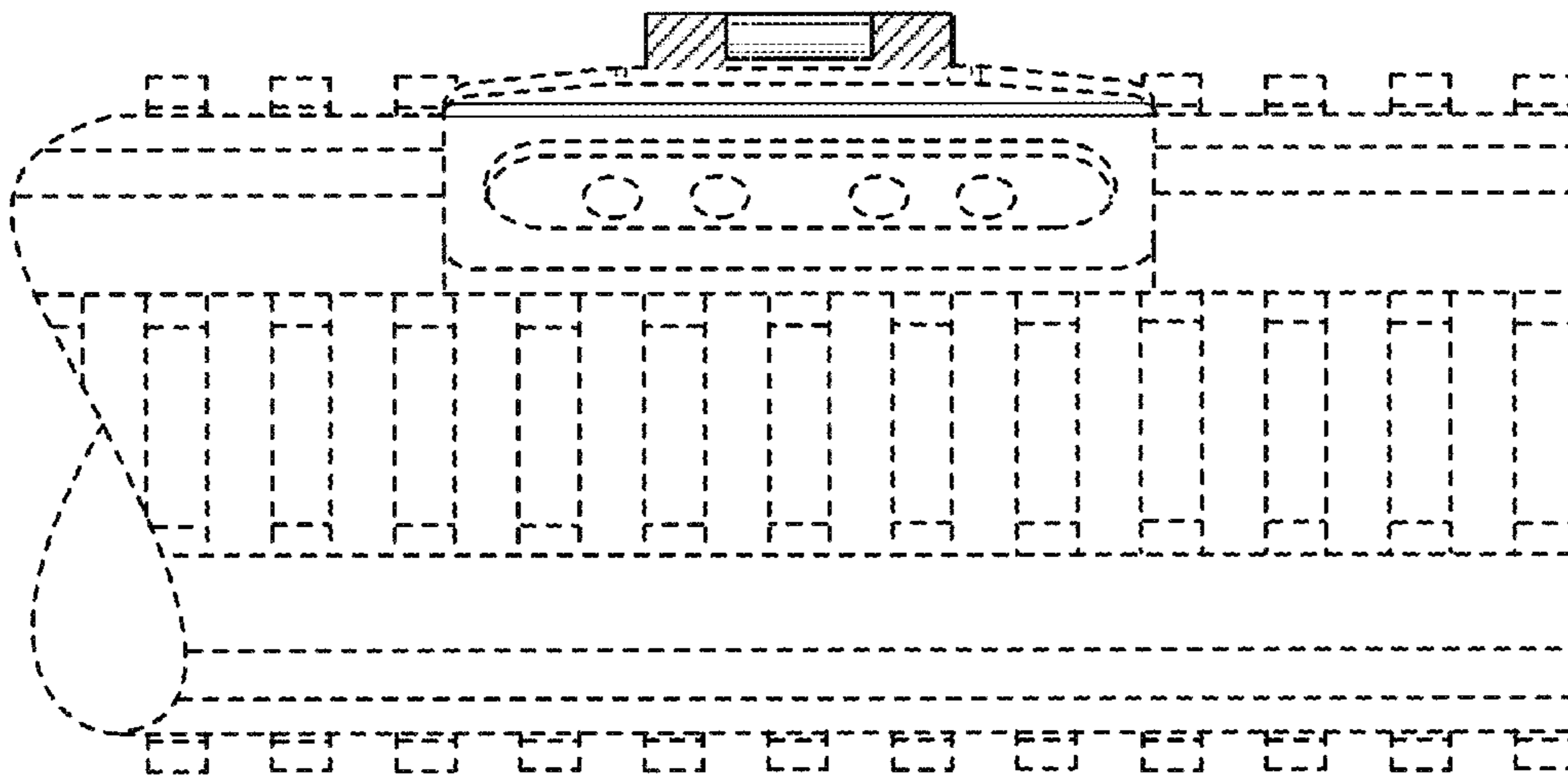


FIG. 4

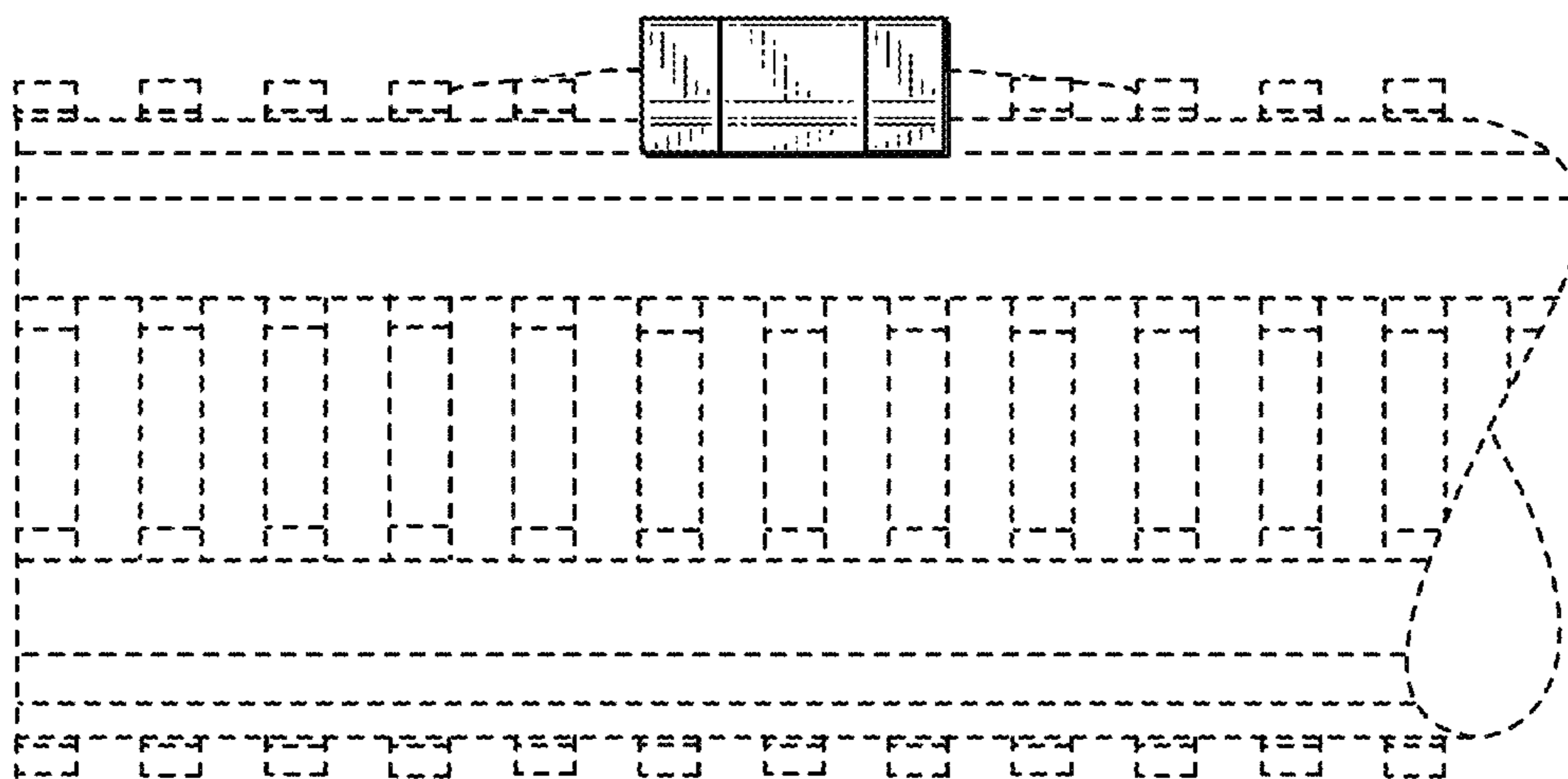


FIG. 5

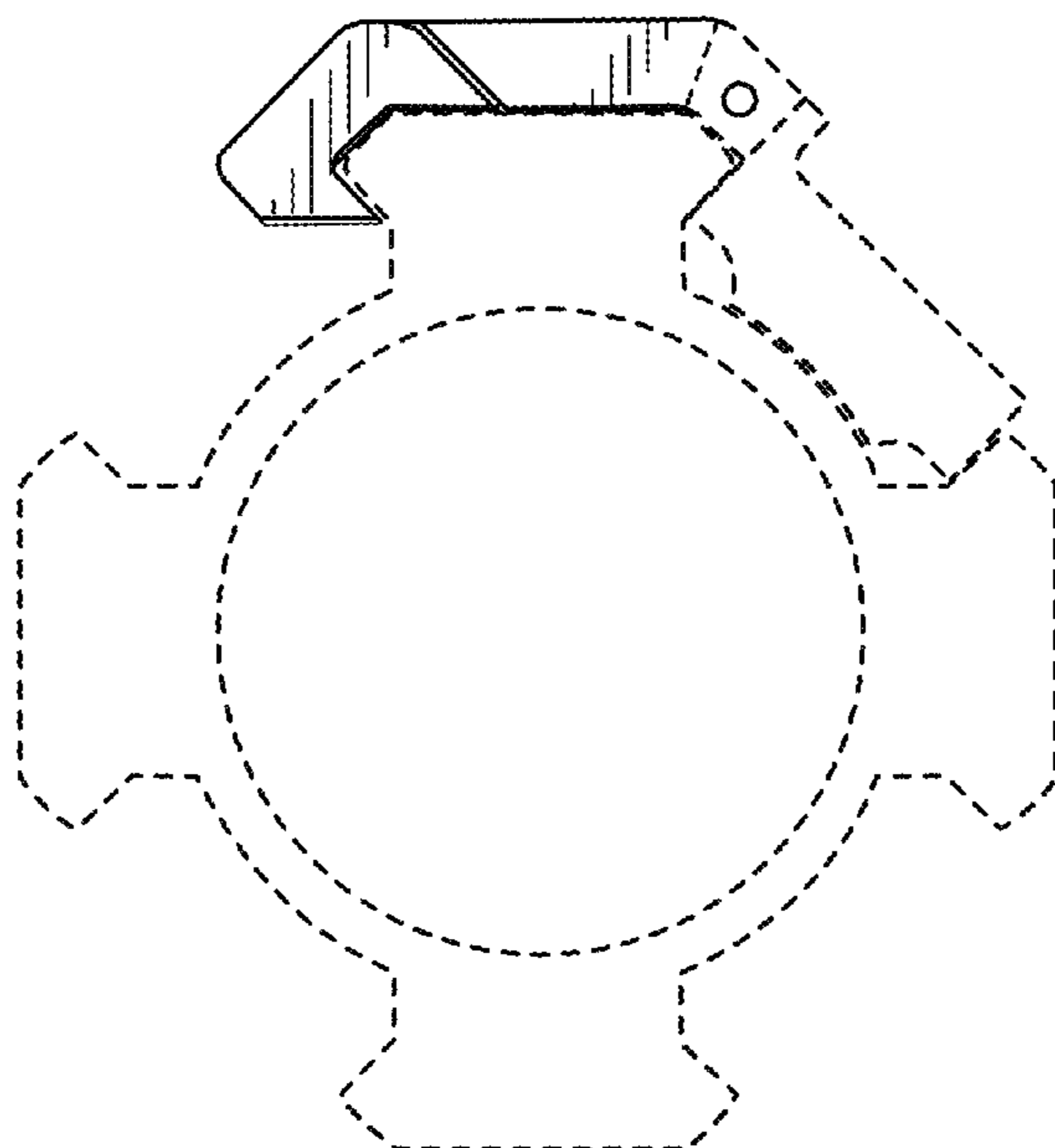


FIG. 6

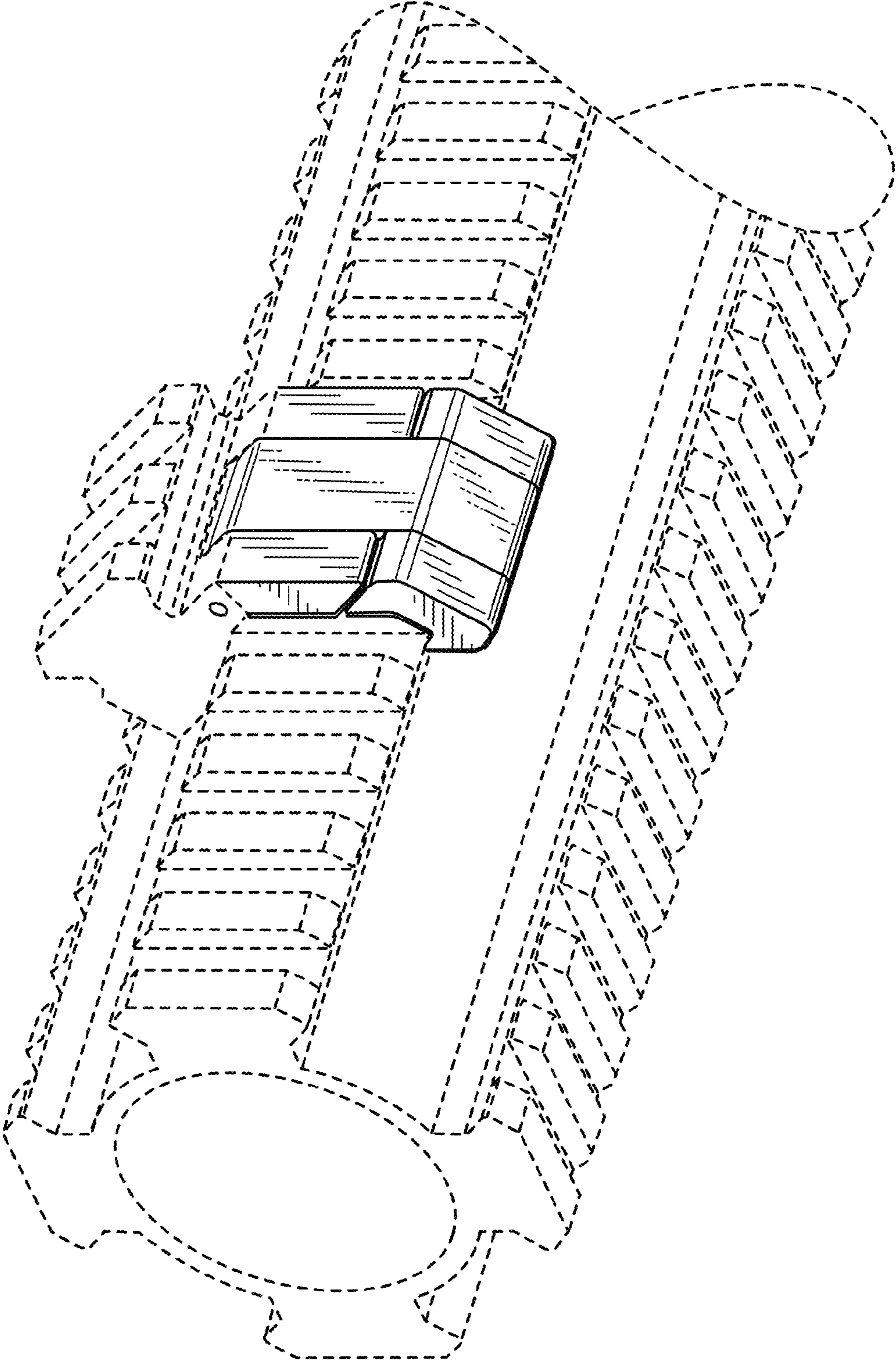


FIG. 7

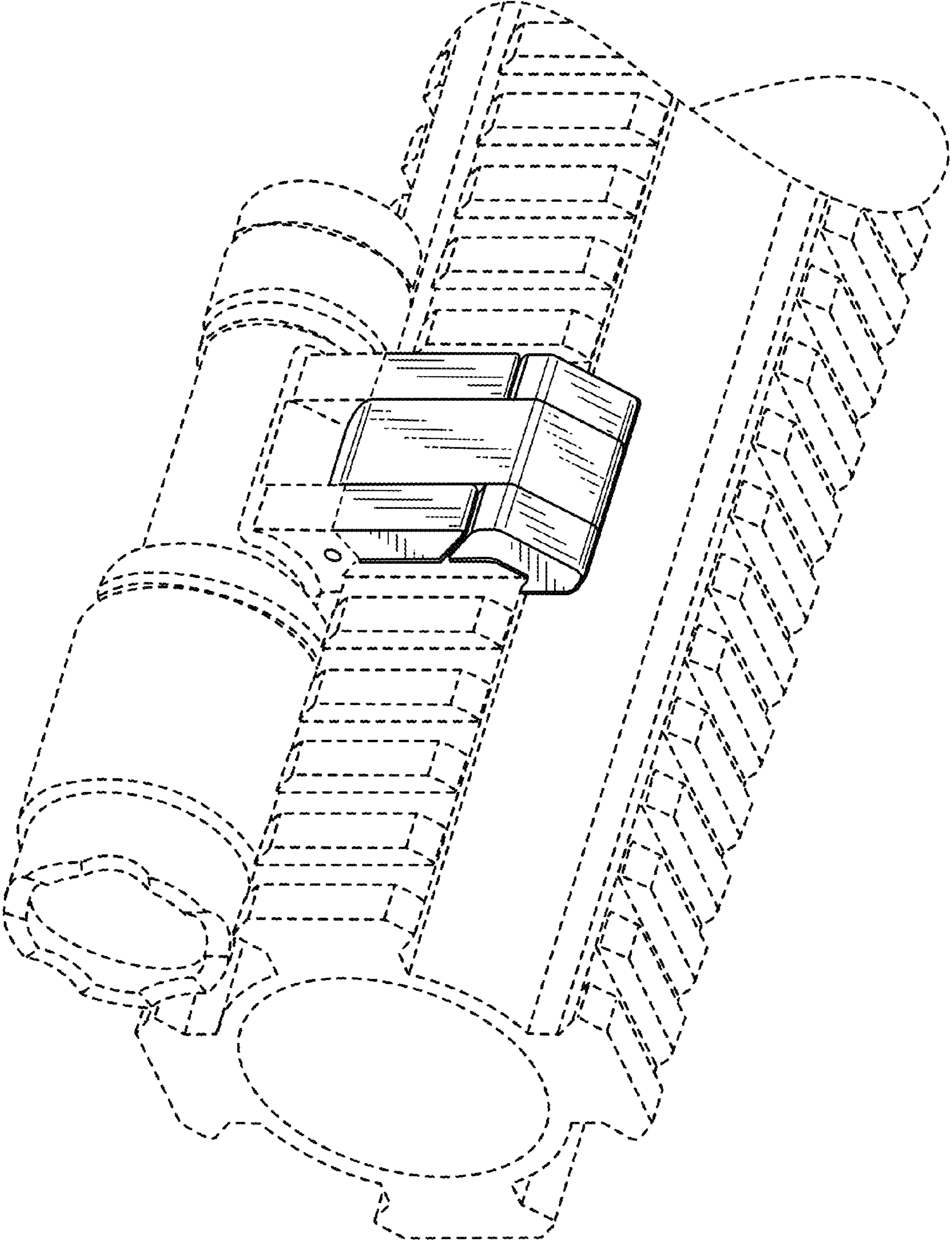


FIG. 8