



US00D756759S

(12) **United States Design Patent**  
**Atkins et al.**

(10) **Patent No.:** **US D756,759 S**  
(45) **Date of Patent:** **\*\* May 24, 2016**

(54) **SUPPORT COLUMN FOR A FOOD SHIELD**  
(71) Applicant: **Brass Smith LLC**, Denver, CO (US)  
(72) Inventors: **Scott Atkins**, Denver, CO (US); **Andrew Padden**, Denver, CO (US); **Wayne Sirmons**, Denver, CO (US)

406,299 A 7/1889 Overpack  
423,434 A 3/1890 Lotto  
432,614 A 7/1890 Hendrick  
462,319 A 11/1891 Leohner et al.  
476,806 A 6/1892 Mauser  
502,601 A 8/1893 Anderson  
517,677 A 4/1894 Bender

(Continued)

(73) Assignee: **Brass Smith LLC**, Denver, CO (US)

**FOREIGN PATENT DOCUMENTS**

(\*\*) Term: **14 Years**

WO 9850728 A1 11/1998

(21) Appl. No.: **29/517,922**

**OTHER PUBLICATIONS**

(22) Filed: **Feb. 18, 2015**

1 Guard Portable Brochure, accessed on or before Oct. 9, 2007, 1 page.

(51) **LOC (10) Cl.** ..... **08-05**

(Continued)

(52) **U.S. Cl.**  
USPC ..... **D8/381**

(58) **Field of Classification Search**  
USPC ..... D8/381, 280, 382, 354, 366, 353, 363,  
D8/356, 373, 376, 377, 71, 72, 73, 74, 394,  
D8/397, 106, 349, 355, 396; D25/67  
CPC .... A47B 95/008; A47B 96/06; A47B 96/061;  
E04B 2001/405; E04B 2001/7679; E04B  
2103/06; A47H 1/12; A47H 1/14; B60J  
10/042; B60J 10/08; E04D 2003/3617;  
E04D 3/30; E04D 3/363; E04D 3/365; E04G  
3/22

*Primary Examiner* — Robert M Spear  
*Assistant Examiner* — Eliza Bennett-Hattan  
(74) *Attorney, Agent, or Firm* — Kilpatrick Townsend & Stockton LLP

See application file for complete search history.

(57) **CLAIM**  
The ornamental design for a support column for a food shield, as shown and described.

**DESCRIPTION**

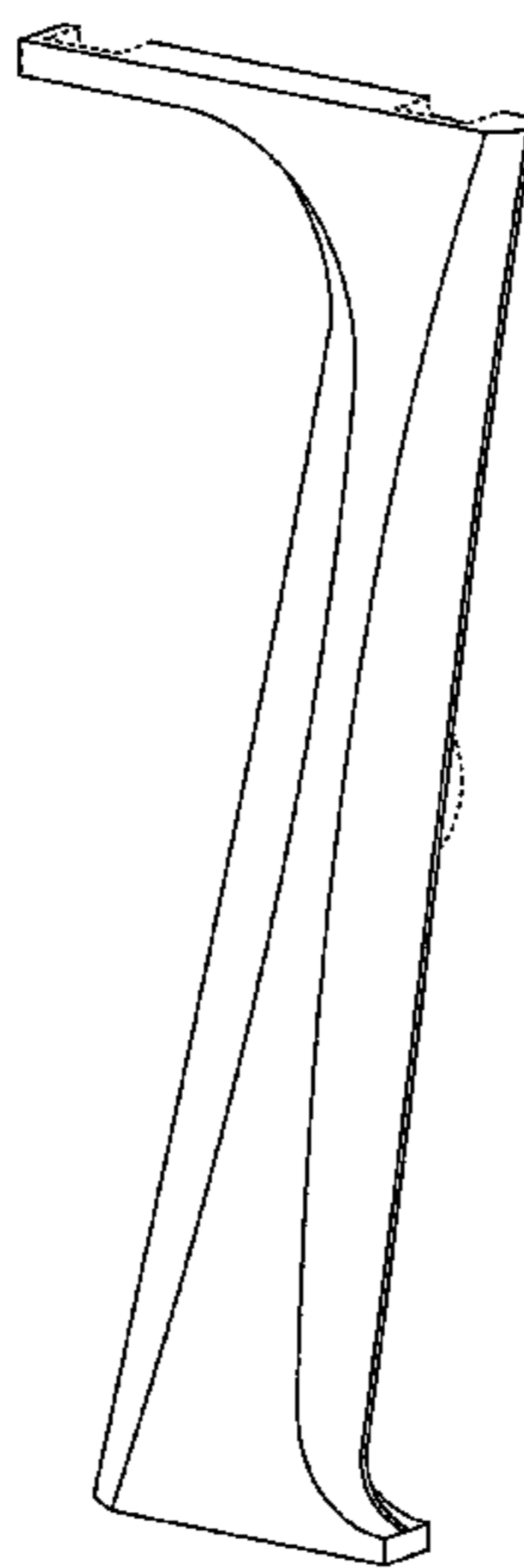
(56) **References Cited**

**U.S. PATENT DOCUMENTS**

54,248 A 4/1866 Eddy  
90,297 A 5/1869 Perry  
93,763 A 8/1869 Stoddard  
147,632 A 2/1874 Boudren  
255,123 A 3/1882 Starrett  
257,646 A 5/1882 Beseler  
342,650 A 5/1886 Smith  
369,143 A 8/1887 White  
369,971 A 9/1887 Stillman  
384,784 A 6/1888 Pihl

FIG. 1 is a perspective view of a support column for a food shield showing our new design;  
FIG. 2 is a reverse perspective view thereof;  
FIG. 3 is a front elevational view thereof;  
FIG. 4 is a rear elevational view thereof;  
FIG. 5 is a left side elevational view thereof;  
FIG. 6 is a right side elevational view thereof;  
FIG. 7 is a top plan view thereof; and,  
FIG. 8 is a bottom plan view thereof.  
The broken lines in the Figures depict environmental subject matter only and form no part of the claimed design.

**1 Claim, 6 Drawing Sheets**



(56)

## References Cited

## U.S. PATENT DOCUMENTS

546,081 A	9/1895	Reyer	1,375,888 A	4/1921	Baer
551,358 A	12/1895	Benecke	1,385,485 A	7/1921	Comrie
554,459 A	2/1896	Rockwell	1,386,565 A	8/1921	Glaudiel
555,025 A	2/1896	Ruffhead et al.	1,389,053 A	8/1921	King
557,575 A	4/1896	Gibson et al.	1,389,901 A	9/1921	Rosenbluth
560,879 A	5/1896	Williams	1,389,935 A	9/1921	Carroll
566,360 A	8/1896	White	1,393,158 A	10/1921	Pawsat
568,649 A	9/1896	Whittington	1,393,681 A	10/1921	Glaudiel
575,711 A	1/1897	Haley	1,399,461 A	12/1921	Childs
575,857 A	1/1897	Sly	1,401,402 A	12/1921	Hawthorne
576,769 A	2/1897	Williams	1,403,863 A	1/1922	Peats
577,974 A	3/1897	Williams	1,408,834 A	3/1922	Seavey
578,014 A	3/1897	Homan	1,412,690 A	4/1922	Leuckert
581,991 A	5/1897	Homan	1,430,379 A	9/1922	Hubbell
585,406 A	6/1897	Rhind	1,434,714 A	11/1922	McMullen
596,689 A	1/1898	Aungst	1,435,310 A	11/1922	Kipper
596,762 A	1/1898	Sevison	1,441,913 A	1/1923	Darling
597,947 A	1/1898	Bragger	1,453,685 A	5/1923	Longenbaugh
599,467 A	2/1898	Beardsley	1,454,390 A	5/1923	Lorander
600,642 A	3/1898	Hartman	1,460,313 A	6/1923	Davis
621,374 A	3/1899	Rhind	1,461,289 A	7/1923	Primrose
625,944 A	5/1899	White	1,461,398 A	7/1923	McMullen
632,858 A	9/1899	Waibel	1,465,213 A	8/1923	Feinberg
642,906 A	2/1900	Hedgeland	1,470,553 A	10/1923	Church
663,121 A	12/1900	Frost	1,488,986 A	4/1924	Hood
763,380 A	6/1904	Eble et al.	1,489,934 A	4/1924	Eklund
767,484 A	8/1904	Maltby	1,490,304 A	4/1924	Zink
795,602 A	7/1905	Fyfe	1,493,609 A	5/1924	Dailey
842,007 A	1/1907	Parker	1,494,033 A	5/1924	Stevens
842,313 A	1/1907	Harrison	1,503,357 A	7/1924	Ensign
903,593 A	11/1908	Lowendahl	1,503,638 A	8/1924	Cooper
926,114 A	6/1909	Hall	1,504,767 A	8/1924	Hodny
926,840 A	7/1909	Bagaason	1,507,094 A	9/1924	Schoenborn
953,156 A	3/1910	Rasmussen	1,512,291 A	10/1924	McGuire
959,099 A	5/1910	Anderson	1,515,867 A	11/1924	Masone
963,913 A	7/1910	Lyhne	1,522,476 A	1/1925	Albright
964,840 A	7/1910	Bernau	1,527,998 A	3/1925	Serpico
970,751 A	9/1910	Pranke	1,538,340 A	5/1925	Hodny
1,047,817 A	12/1912	Knight	1,547,794 A	7/1925	Curry
1,056,574 A	3/1913	Newton	1,558,641 A	10/1925	Short
1,057,658 A	4/1913	Nichols	1,574,899 A	3/1926	Kellogg
1,074,272 A	9/1913	Kline	1,580,316 A	4/1926	Moreton
1,094,272 A	4/1914	Thornley	1,590,562 A	6/1926	Blonigen
1,106,485 A	8/1914	Becker	1,597,943 A	8/1926	Wilhelm
1,132,554 A	3/1915	Brett	1,628,623 A	5/1927	Jonnes
1,137,333 A	4/1915	Klorer	1,706,215 A	3/1929	Davidson
1,178,072 A	4/1916	Hoag	1,721,271 A	7/1929	Du Prei
1,190,050 A	7/1916	Verba	1,732,534 A	10/1929	Riches
1,190,502 A	7/1916	Anderson	1,735,212 A	11/1929	Pawsat
1,206,871 A	12/1916	Locke	1,737,214 A	11/1929	Brown
1,217,838 A	2/1917	Schmidt	1,745,695 A	2/1930	Hunter
1,227,258 A	5/1917	Godley	1,793,911 A	2/1931	Dann
1,231,635 A	7/1917	Nelson	1,814,500 A	7/1931	Summerbell
1,266,399 A	5/1918	Burtis	1,835,473 A	12/1931	Davidson
1,286,352 A	12/1918	Kubat	1,849,001 A	3/1932	Fisher
1,290,252 A	1/1919	Lester et al.	1,936,529 A	6/1932	Taylor
1,303,249 A	5/1919	Brown	1,941,032 A	12/1933	Knowles
1,303,981 A	5/1919	Stafford	1,989,691 A	2/1935	Hirt
1,393,345 A	5/1919	McFeaters	2,010,058 A	8/1935	Carlson
1,324,456 A	12/1919	Lutz	2,038,906 A	4/1936	Ruhland
1,328,930 A	1/1920	Stern	2,066,699 A	1/1937	Skelton
1,342,626 A	6/1920	Frank	2,073,089 A	3/1937	Autenrieth
1,345,157 A	6/1920	Francisco	2,074,247 A	3/1937	Armstrong
1,346,402 A	7/1920	Glaudiel	2,124,006 A	7/1938	Parker
1,353,552 A	9/1920	Sweet	2,163,859 A	6/1939	Ver Bockel
1,354,873 A	10/1920	Bartley et al.	2,177,921 A	10/1939	Zofrey
1,356,213 A	10/1920	Loyd	2,220,429 A	11/1940	Soderberg
1,358,159 A	11/1920	Kern	2,257,169 A	9/1941	Hopps
1,358,262 A	11/1920	Sumner	2,258,175 A	10/1941	Coleman
1,358,422 A	11/1920	D'Esopo	2,287,890 A	6/1942	Legassey
1,358,792 A	11/1920	Shogran	2,289,422 A	7/1942	Grotnes
1,359,645 A	11/1920	Zink	2,290,874 A	7/1942	Graff
1,371,703 A	3/1921	Miller	2,315,132 A	3/1943	Powers
1,372,492 A	3/1921	Doyle	2,331,132 A	10/1943	Nadelson
1,373,840 A	4/1921	Smith	2,338,124 A	1/1944	Martinek
			2,360,482 A	10/1944	Evans
			2,365,935 A	12/1944	Boggs
			2,370,748 A	3/1945	O'Donnell
			2,433,550 A	12/1947	Graham



(56)

References Cited

U.S. PATENT DOCUMENTS

2,456,505 A 12/1948 Hastings  
 2,511,590 A 6/1950 Keck  
 2,548,650 A 4/1951 Brandt  
 2,596,627 A 5/1952 Wahnish  
 2,609,938 A 9/1952 Wells  
 2,635,345 A 4/1953 Samborski  
 2,651,725 A 9/1953 McFarland  
 2,696,996 A 12/1954 Engelhardt  
 2,719,691 A 10/1955 Vance  
 2,733,035 A 1/1956 Rocheleau  
 2,741,497 A 4/1956 Risley  
 2,767,003 A 10/1956 Gilmont  
 2,783,015 A 2/1957 Kampa  
 2,899,772 A 8/1959 Paulsen et al.  
 3,026,162 A 4/1960 Waszkiewicz  
 2,970,798 A 2/1961 Fritchle et al.  
 3,069,189 A 12/1962 Hollaender  
 3,081,896 A 3/1963 Hoskins  
 3,096,109 A 7/1963 Callahan  
 3,113,791 A 12/1963 Frost et al.  
 3,118,695 A 1/1964 Engelhardt  
 3,126,100 A 3/1964 Christensen  
 3,126,181 A 3/1964 Holden  
 3,160,349 A 12/1964 Kent  
 3,212,713 A 10/1965 Culver  
 3,237,899 A 3/1966 Lewis  
 3,265,434 A 8/1966 Bolotin  
 3,269,683 A 8/1966 Shinaver  
 D206,198 S 11/1966 Molitor  
 3,389,882 A 6/1968 Schlosser  
 3,405,587 A 10/1968 Meazzi et al.  
 3,484,066 A 12/1969 Aunspaugh  
 3,499,679 A 3/1970 Olander  
 3,500,594 A 3/1970 O'Brien  
 3,581,354 A 6/1971 Usiskin  
 3,610,562 A 10/1971 Holmes et al.  
 3,640,498 A 2/1972 Aleks  
 3,734,439 A 5/1973 Wintz  
 3,738,606 A 6/1973 Mille  
 3,828,403 A 8/1974 Perrin et al.  
 3,837,383 A 9/1974 Ko  
 3,843,083 A 10/1974 Angibaud  
 3,921,539 A 11/1975 Berger  
 4,047,684 A 9/1977 Kobayashi  
 4,050,661 A 9/1977 Wooldridge  
 4,115,966 A 9/1978 DeLee  
 4,126,081 A 11/1978 Zdeb  
 4,132,178 A 1/1979 Mueller et al.  
 4,162,647 A 7/1979 Aslen  
 4,237,798 A 12/1980 Welsch et al.  
 4,286,897 A 9/1981 Suskind  
 4,307,864 A 12/1981 Benoit  
 4,338,875 A 7/1982 Lisowski  
 4,443,128 A 4/1984 Yamamoto et al.  
 4,452,416 A 6/1984 Templeton  
 4,483,334 A 11/1984 Murray  
 4,511,158 A 4/1985 Varga et al.  
 4,547,092 A 10/1985 Vetter et al.  
 4,624,374 A 11/1986 Murtaugh  
 4,672,898 A 6/1987 Davidson  
 4,729,535 A 3/1988 Frazier et al.  
 4,747,569 A 5/1988 Hoshino  
 4,799,444 A 1/1989 Lisowski  
 4,801,115 A 1/1989 Heard  
 4,821,382 A 4/1989 Puschkarski  
 4,860,909 A 8/1989 Leumi  
 4,884,927 A 12/1989 Menker  
 4,892,366 A 1/1990 Yerman  
 4,915,418 A 4/1990 Palatchy  
 D309,540 S 7/1990 Suttles et al.  
 4,953,819 A 9/1990 Davis  
 4,964,603 A 10/1990 Yair  
 4,976,486 A 12/1990 Rifaat  
 5,002,247 A 3/1991 Dispenza et al.  
 5,023,755 A 6/1991 Rosenberg

5,056,854 A 10/1991 Rosen  
 5,111,956 A 5/1992 Jow  
 5,128,838 A 7/1992 Brandess  
 D330,555 S 10/1992 Lilly  
 D332,497 S 1/1993 Shufelt  
 5,199,680 A 4/1993 Rivera  
 D337,462 S 7/1993 LaVaute et al.  
 D341,075 S \* 11/1993 Quinkert ..... D8/354  
 5,259,582 A 11/1993 DeLange  
 5,301,999 A 4/1994 Thompson et al.  
 5,359,866 A 11/1994 Boddy  
 5,409,122 A 4/1995 Lazarus  
 5,427,344 A 6/1995 Beauchemin  
 5,449,138 A 9/1995 Ciancio  
 5,509,180 A 4/1996 Benetti et al.  
 5,551,660 A 9/1996 Leduchowski  
 5,566,911 A 10/1996 Hoshino  
 5,584,545 A 12/1996 LaVaute et al.  
 5,589,903 A 12/1996 Speggiorin  
 5,634,619 A 6/1997 Alessi  
 5,681,017 A 10/1997 Clausen  
 5,704,232 A 1/1998 Kuo  
 5,735,499 A 4/1998 Phillips et al.  
 5,746,334 A 5/1998 Brandenburg  
 5,775,652 A 7/1998 Crawshaw  
 5,782,743 A 7/1998 Russell  
 5,791,609 A 8/1998 Hankins  
 5,819,378 A 10/1998 Doyle  
 5,826,850 A 10/1998 Goldsmith  
 D405,348 S \* 2/1999 Orr ..... D8/354  
 5,964,052 A 10/1999 Jepsen et al.  
 5,974,984 A 11/1999 Mitjans  
 6,061,939 A 5/2000 Gildea  
 6,093,878 A 7/2000 Hoshino  
 6,132,018 A 10/2000 McGrath  
 6,189,459 B1 2/2001 DeAngelis  
 6,209,835 B1 4/2001 Walrath et al.  
 6,274,797 B1 8/2001 Liao  
 6,293,035 B1 9/2001 LaPointe  
 6,328,269 B1 12/2001 Krautloher  
 6,390,424 B1 5/2002 Kidushim et al.  
 6,523,230 B1 2/2003 Weinhold  
 6,554,238 B1 4/2003 Hibberd  
 6,588,863 B1 7/2003 Yatchak et al.  
 6,601,328 B1 8/2003 Benaquista et al.  
 6,631,876 B1 10/2003 Phillips  
 D511,296 S \* 11/2005 Gross ..... D8/380  
 D531,490 S \* 11/2006 Walker ..... D8/380  
 7,261,263 B2 8/2007 Baker et al.  
 D606,384 S \* 12/2009 Antonic ..... D8/354  
 D666,894 S \* 9/2012 Bombino ..... D8/354  
 8,403,430 B2 3/2013 Atkins  
 D691,459 S \* 10/2013 Waugh ..... D8/354  
 D735,555 S \* 8/2015 Tajdus ..... D8/354  
 D736,597 S \* 8/2015 Arner ..... D8/354  
 D737,663 S \* 9/2015 Kandakur ..... D15/5  
 2003/0057810 A1 3/2003 DeWitt  
 2004/0226903 A1 11/2004 Wang  
 2005/0097802 A1 5/2005 Kim  
 2005/0251940 A1 11/2005 Black  
 2006/0102818 A1 5/2006 Carnevali  
 2007/0177754 A1 8/2007 Kemmerer  
 2007/0236112 A1 10/2007 Williman  
 2008/0029661 A1 2/2008 Chen  
 2008/0164395 A1 7/2008 Chang et al.  
 2009/0084019 A1 4/2009 Carnevali  
 2009/0224122 A1 9/2009 Liao  
 2011/0079692 A1 4/2011 Li  
 2011/0169384 A1 7/2011 Padden et al.

OTHER PUBLICATIONS

2-D Adjustable Sneezeguard Brochure, accessed on or before Oct. 9, 2007, 2 pages.  
 Ambassador Angled Divider Specifications, accessed on or before Oct. 9, 2007, 2 pages.  
 Ambassador Angled Stationary Sneezeguard Specifications, accessed on or before Oct. 9, 2007, 2 pages.  
 Ambassador Vertical Divider Specifications, accessed on or before Oct. 9, 2007, 2 pages.



(56)

**References Cited**

## OTHER PUBLICATIONS

- Ambassador Vertical Stationary Sneezeguard Specifications, accessed on or before Oct. 9, 2007, 2 pages.
- Angled Divider Stationary Sneezeguard Specifications, accessed on or before Oct. 9, 2007, 2 pages.
- Brass Smith, Inc. Brochure: A Guide to the Design and Use of the Decorative, User-Friendly Food Guard, Apr. 1998, 13 pages.
- Bernstein Display: Bravo, accessed Dec. 21, 2003, 6 pages.
- Canadian Display Systems Inc., <http://www.canadiandisplay.com>, accessed Oct. 5, 2007, 2 pages.
- Canadian Display Systems Inc., Portable Sneezeguard—PSG 19, accessed Jun. 1, 2005, 2 pages.
- Carlisle Food Service Products, Price List, 2006, 2 pages.
- Carousel Sneezeguard Specifications, accessed on or before Oct. 9, 2007, 2 pages.
- Custom Sneezeguard Form, accessed on or before Oct. 9, 2007, 1 page.
- Declaration of Alan Levine, 1:07-cv-01778-MSK, Oct. 5, 2007, 4 pages.
- Declaration of Michael Vogel, 1:07-cv-01778-MSK, Oct. 5, 2007, 2 pages.
- Deco-Tech Model Deco-900, Adjustable Vertical Display Specifications, Kevry Corporation, accessed Jun. 1, 2003, 1 page.
- Deco 900 Fully Adjustable Specifications, DECO-950, -965, -970, -901, Kevry Corporation, accessed on or before Oct. 9, 2007, 4 pages.
- Deco-Tech Self-Serve Food Shield Portable Rev. 2.3 DECO-270, -271, -272, -273, Kevry Corporation, accessed May 2002, 5 pages.
- Defendant Lawrence Metal Products, Inc.'s Response to Brass Smith's Implicit Request for Preliminary Injunction, 07-CV-01778-MSK-BNB, filed Oct. 8, 2007, 14 pages.
- Fast-Guard Online Design and Specification, Premier Brass, <http://www.premierbrass.com/>, accessed on or before Oct. 9, 2007, 4 pages.
- Flexaguard Portable Sneezeguard, accessed on or before Oct. 9, 2007, 2 pages.
- Flexaguard Portable Sneezeguard, Specifications and, <http://www.flexaguard.com/spec.html>, accessed on or before Oct. 5, 2007, 2 pages.
- Folding Portable Sneezeguard Installation Brochure and Specifications, accessed on or before Oct. 9, 2007, 2 pages.
- Food Shields-Sneezeguard Guards, CafeProducts.com, accessed Aug. 16, 2003, 1 page.
- Forms + Surfaces: Silhouette Railing System, Profile One Information System, accessed Dec. 21, 2003, 5 pages.
- Front Mount Stationary Sneezeguard Brochure and Specifications, accessed on or before Oct. 9, 2007, 2 pages.
- Hi-Profile Folding Portable Sneezeguard Brochure and Specifications, accessed on or before Oct. 9, 2007, 2 pages.
- IKEA: Stolmen Mounting Fitting, accessed Nov. 9, 2003, 1 page.
- Kevry Catalog Products, [www.kevry.com](http://www.kevry.com), 2003, 3 pages.
- Low Profile Folding Portable Sneezeguard Installation Brochure and Specifications, accessed on or before Oct. 9, 2007, 2 pages.
- Plexus Maintenance Solutions Brochure, accessed on or before Oct. 9, 2007, 1 page.
- Merchandise Products with Visplay Beam for Marlite-Gallery, accessed Dec. 21, 2003, 6 pages.
- Mid-Mount Stationary Sneezeguard Brochure and Specifications, accessed on or before Oct. 9, 2007, 2 pages.
- Moffat Range of Gantries Specifications 6/2 Issue 5, accessed on or before Oct. 9, 2007, 1 page.
- Notice of Filing Corrected Exhibit G to Defendant Lawrence Metal Products, Inc.'s Response to Brass Smith's Implicit Request for Preliminary Injunction, 07-CV-01778-MSK-BNB, Oct. 9, 2007, 2 pages.
- Product Information: Brass Smith, Inc.: Hospitality, Sep. 1999, 13 pages.
- Product Information: Guard Information, accessed on or before Oct. 9, 2007, 2 pages.
- Product Information, HAFELE Multi-Purpose Pole Mount System 5.106-5.107, accessed on or before Oct. 9, 2007, 2 pages.
- Product Information: IKEA 2003 Holidays at Home, 3 pages.
- Product Information: Moffat Bulk Food Regeneration Rolley Model VGEN 8 AIR Product Information, accessed on or before Oct. 9, 2007, 1 page.
- Product Information: RHO with pictures, accessed on or before Oct. 9, 2007, 3 pages.
- Product Information: Unic Camionnette, accessed on Dec. 16, 2003, 1 page.
- QBD Sneezeguard Kits Brochure, accessed on or before Oct. 9, 2007, 2 pages.
- RHO, [www.rho.ca](http://www.rho.ca), accessed Dec. 21, 2003, 7 pages.
- Sampler Sneezeguard Brochure, accessed on or before Oct. 9, 2007, 3 pages.
- Serpentine Sneezeguard Specifications, accessed on or before Oct. 9, 2007, 2 pages.
- Signature Server Product Information, Access Breath Guard, Vol-larth, accessed on or before Oct. 9, 2007, 1 page.
- Sneezeguard Accessories Brochure, accessed on or before Oct. 9, 2007, 2 pages.
- Sneezeguard Replacement Hardware Brochure, accessed on or before Oct. 9, 2007, 2 pages.
- Sneezeguard Replacement Stands Brochure, accessed on or before Oct. 9, 2007, 4 pages.
- Sneezeguards Specifications B-445, accessed on or before Oct. 9, 2007, 2 pages.
- Storcart Accessories Brochure, accessed on or before Oct. 9, 2007, 2 pages.
- Storcases Brochure, accessed on or before Oct. 9, 2007, 2 pages.
- The Sneezeguard Storcart Specifications, accessed on or before Oct. 9, 2007, 2 pages.
- Vieler International Bistro 1, accessed on or before Oct. 9, 2007, 1 page.
- Vertical Divider Stationary Sneezeguard Specifications, accessed on or before Oct. 9, 2007, 2 pages.
- Visual Store: Illico pole, profile one, accessed Dec. 21, 2003, 3 pages.
- Wall Storage Units Specifications, accessed on or before Oct. 9, 2007, 2 pages.

\* cited by examiner

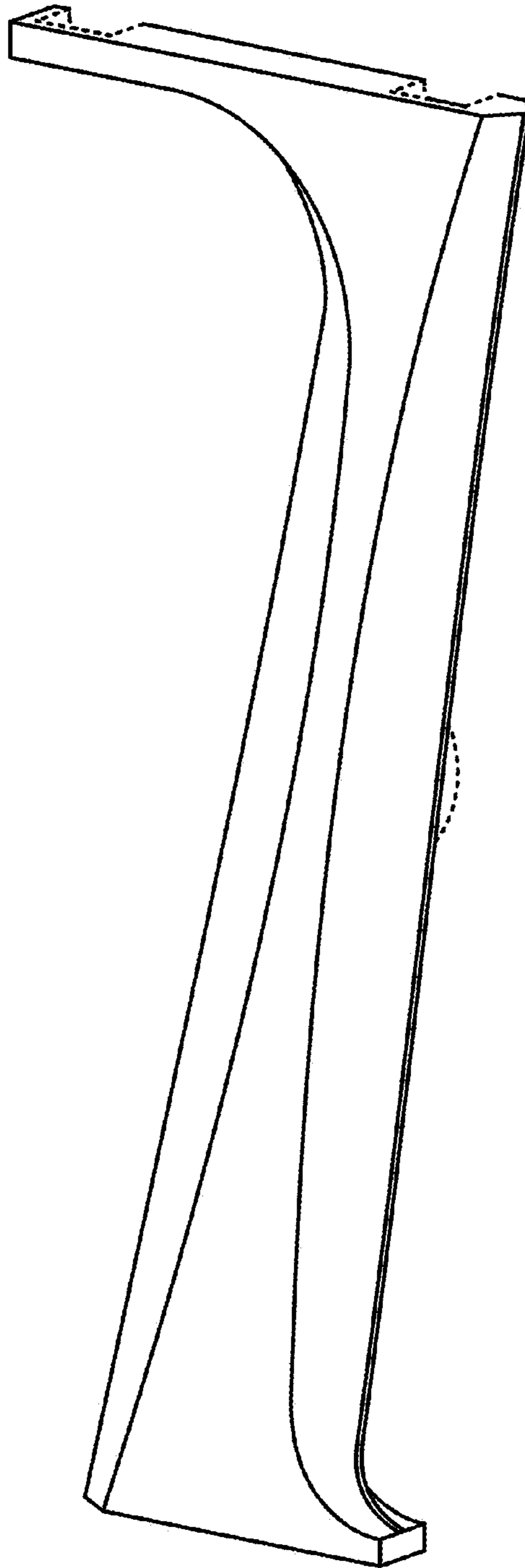


FIG. 1

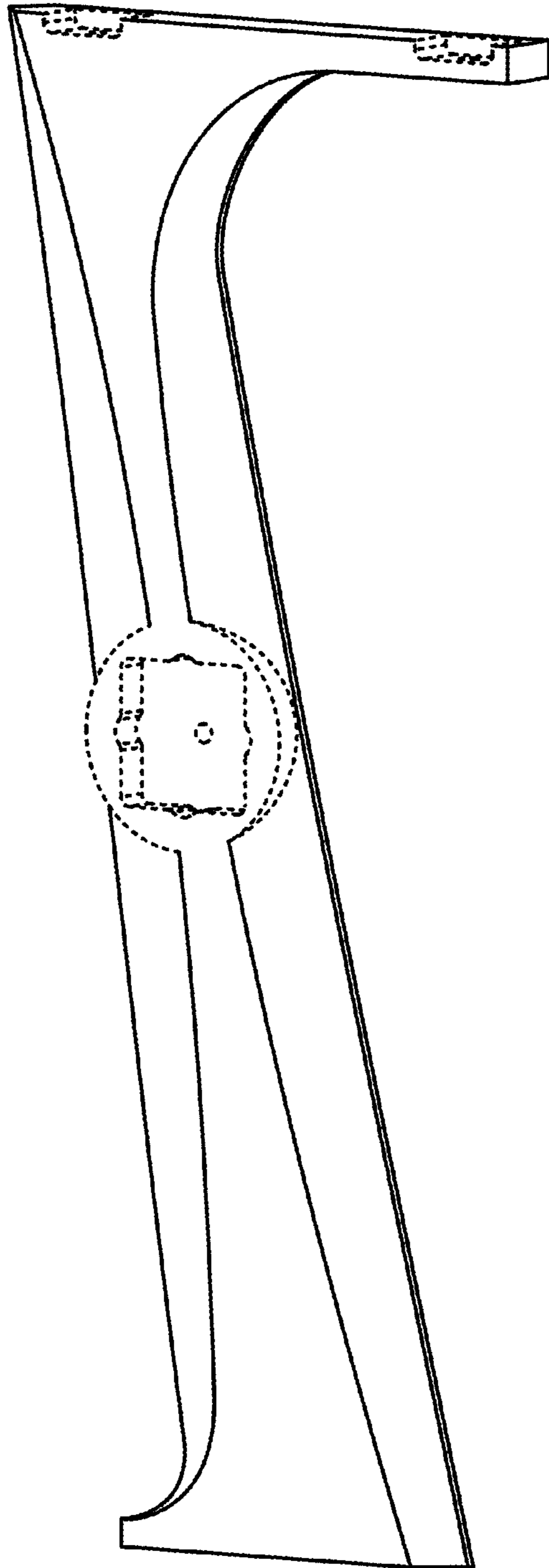


FIG. 2

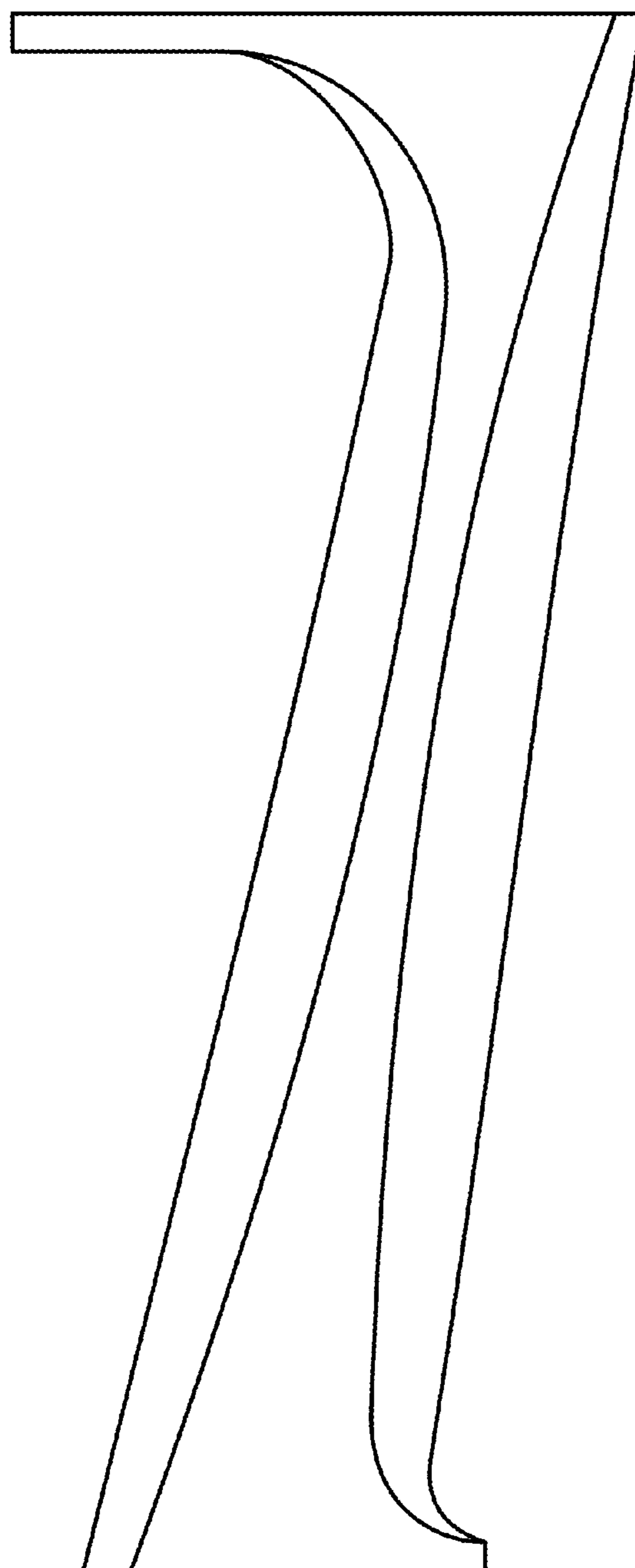


FIG. 3

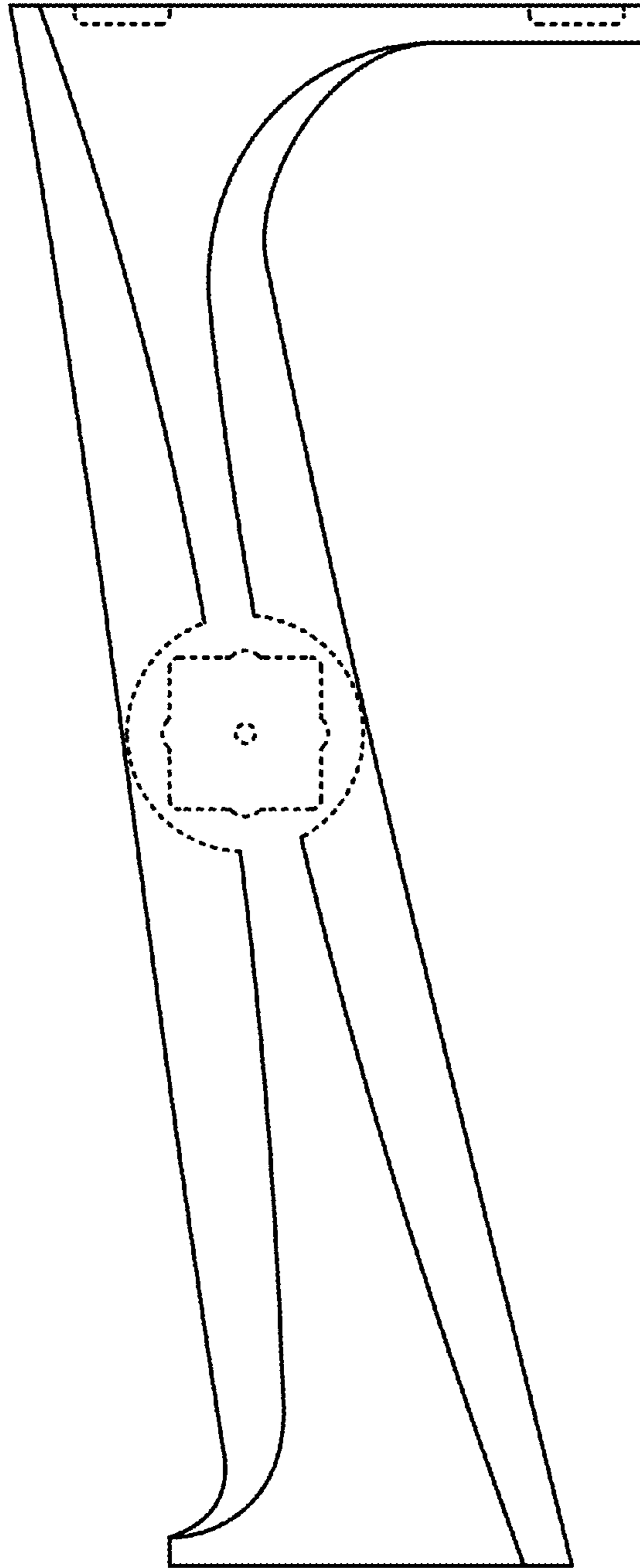


FIG. 4





FIG. 5

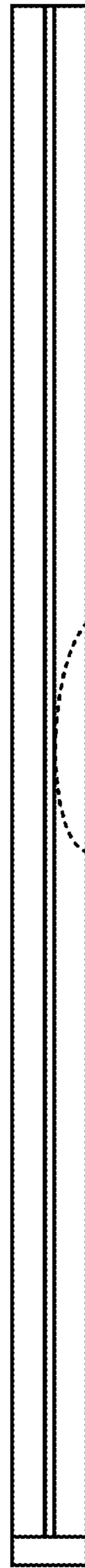


FIG. 6



FIG. 7

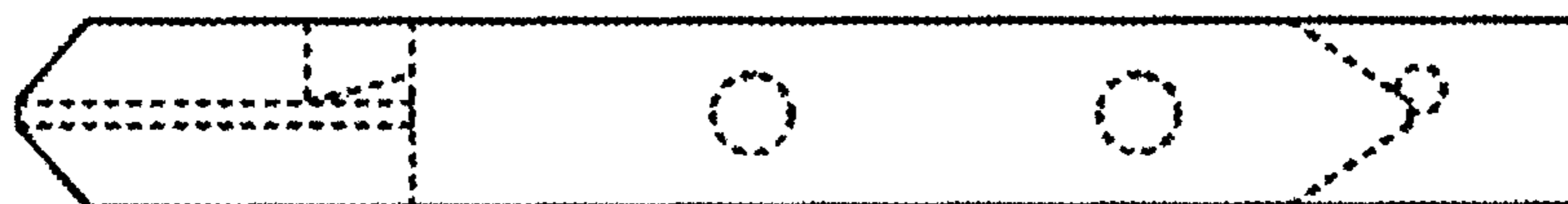


FIG. 8