



US00D756758S

(12) **United States Design Patent**
Meyers

(10) **Patent No.:** **US D756,758 S**

(45) **Date of Patent:** **** May 24, 2016**

- (54) **FURNITURE GRIPPER**
- (71) Applicant: **Waxman Consumer Products Group Inc.**, Bedford Heights, OH (US)
- (72) Inventor: **Jacob Meyers**, Fairview Park, OH (US)
- (73) Assignee: **Waxman Consumer Products Group Inc.**, Bedford Heights, OH (US)
- (**) Term: **14 Years**
- (21) Appl. No.: **29/510,705**
- (22) Filed: **Dec. 2, 2014**
- (51) **LOC (10) Cl.** **08-05**
- (52) **U.S. Cl.**
USPC **D8/374**
- (58) **Field of Classification Search**
USPC D8/16, 18, 19, 20, 105, 356, 363, 366,
D8/370-377, 380-382; D6/406.2;
D12/106, 48
CPC A47B 91/06; A47B 91/066; A47B 97/00
See application file for complete search history.

D513,583 S *	1/2006	Chase	D8/374
D548,577 S *	8/2007	Shiffler	D8/376
D562,672 S *	2/2008	Mussallem	D8/363
D649,442 S *	11/2011	Gardner	D8/374
D685,255 S *	7/2013	Rocquet	D8/374
D723,355 S *	3/2015	Federspiel	D8/354
D730,163 S *	5/2015	Wu	D8/376

* cited by examiner

Primary Examiner — Robert M Spear

Assistant Examiner — Eliza Bennett-Hattan

(74) *Attorney, Agent, or Firm* — Tarolli, Sundheim, Covell & Tummino LLP

(57) **CLAIM**

The ornamental design for a furniture gripper, as shown and described.

DESCRIPTION

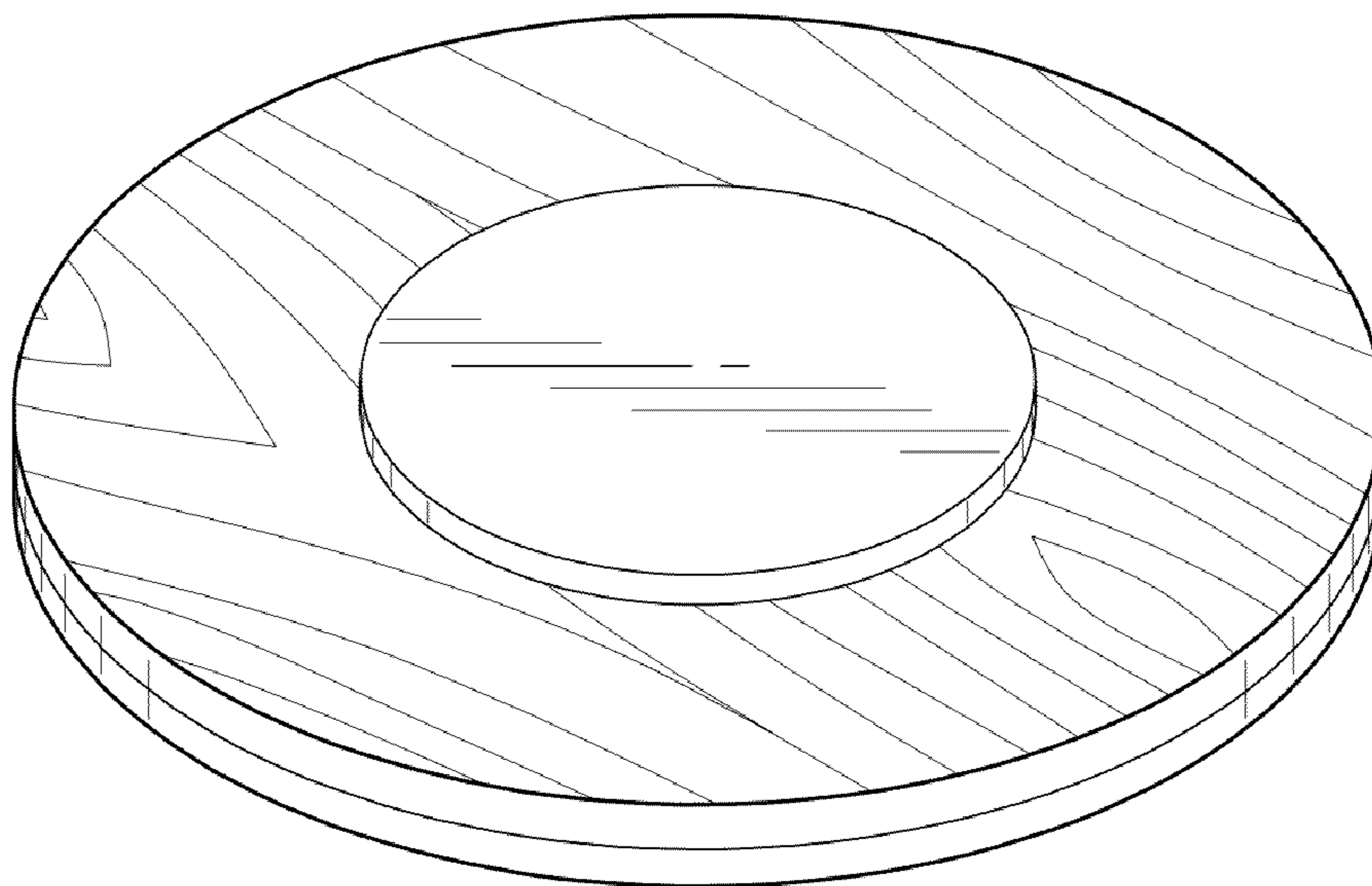
FIG. 1 is a top perspective view of a furniture gripper;
 FIG. 2 is a bottom perspective view thereof;
 FIG. 3 is a top plan view thereof;
 FIG. 4 is a bottom plan view thereof;
 FIG. 5 is a first quarter side elevation view thereof;
 FIG. 6 is a second quarter side elevation view thereof;
 FIG. 7 is a third quarter side elevation view thereof;
 FIG. 8 is a fourth quarter side elevation view thereof; and,
 FIG. 9 is an exploded top perspective assembly view thereof.
 Those portions of the furniture gripper design resembling a wood grain or a simulated wood grain are part of the claimed design.

1 Claim, 4 Drawing Sheets

(56) **References Cited**

U.S. PATENT DOCUMENTS

D95,069 S *	4/1935	Richter	D8/375
D163,554 S *	6/1951	Auer	D8/374
D167,963 S *	10/1952	Auer	D8/374
D169,410 S *	4/1953	Auer	D8/374
D338,360 S *	8/1993	Petersen	D8/374
D492,190 S	6/2004	Howe et al.		



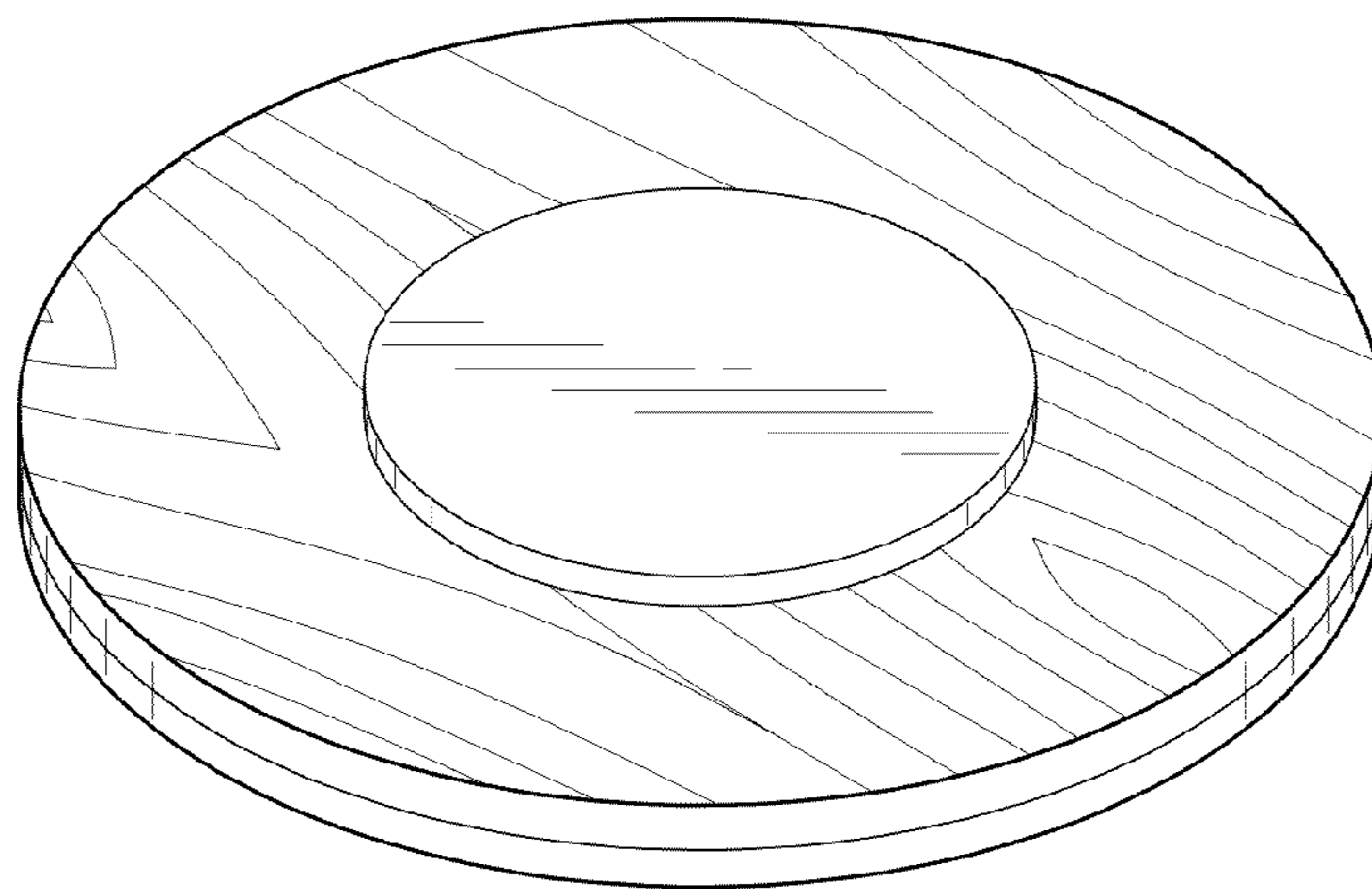


FIG. 1

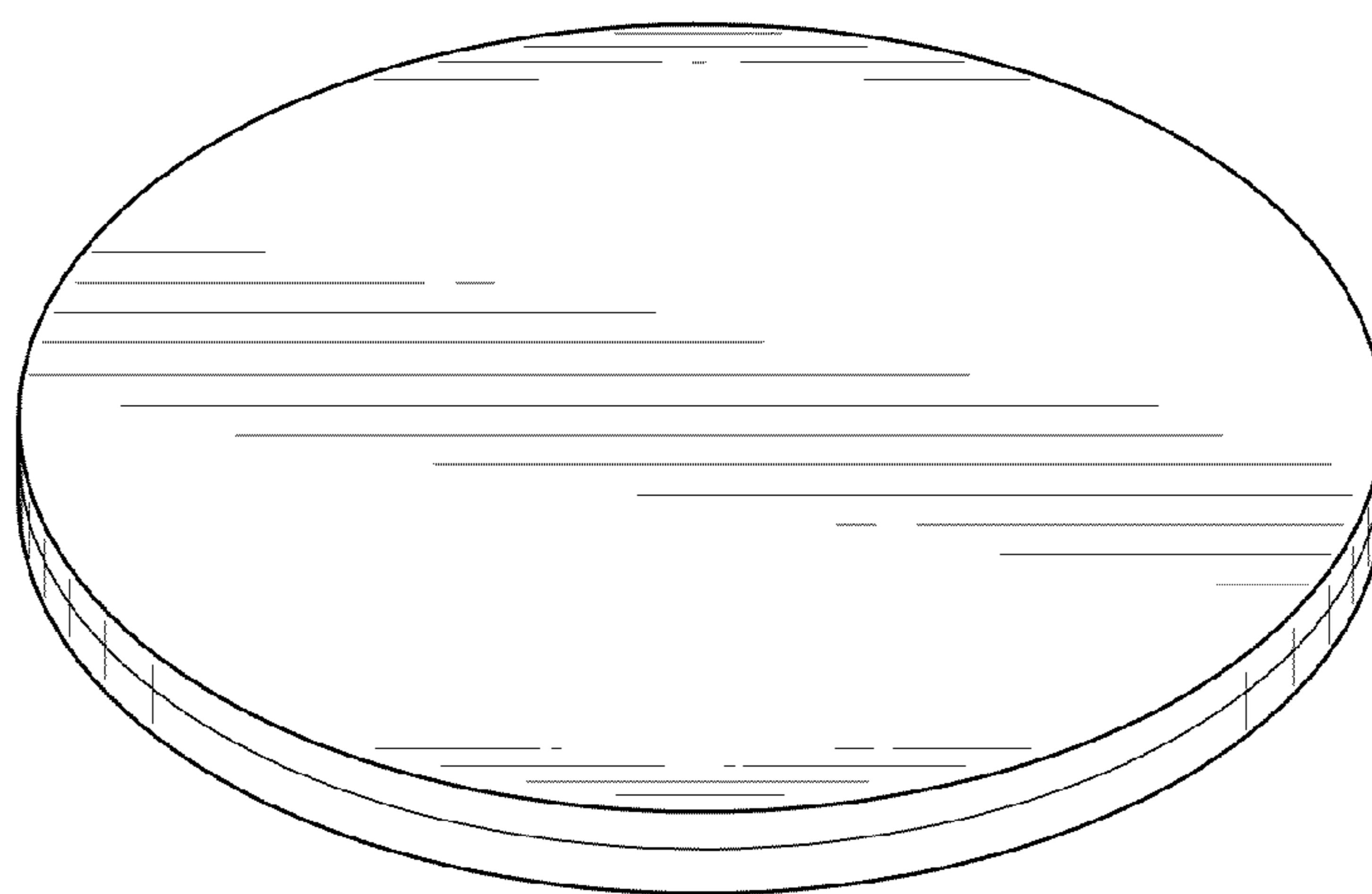


FIG. 2

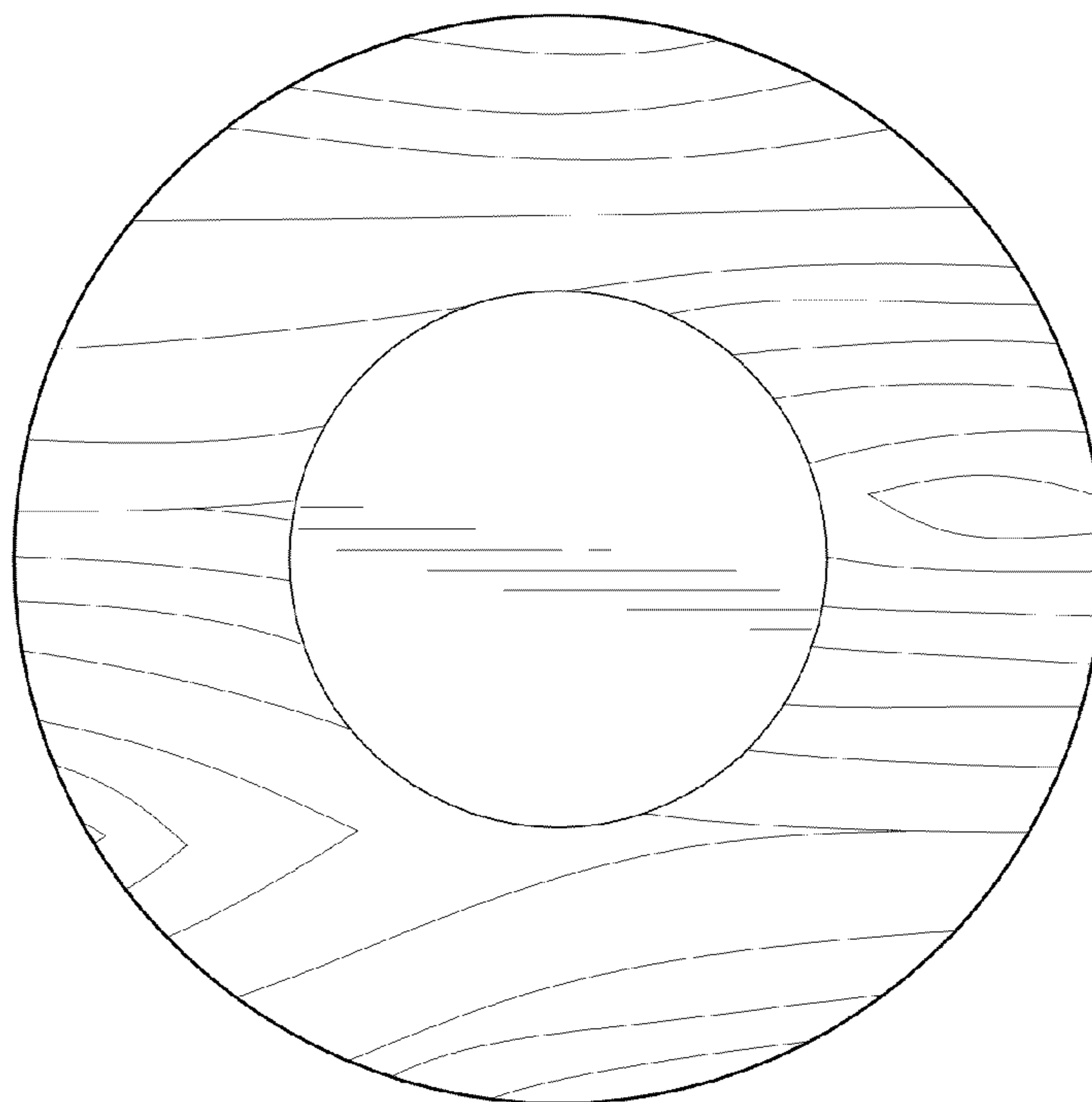


FIG. 3

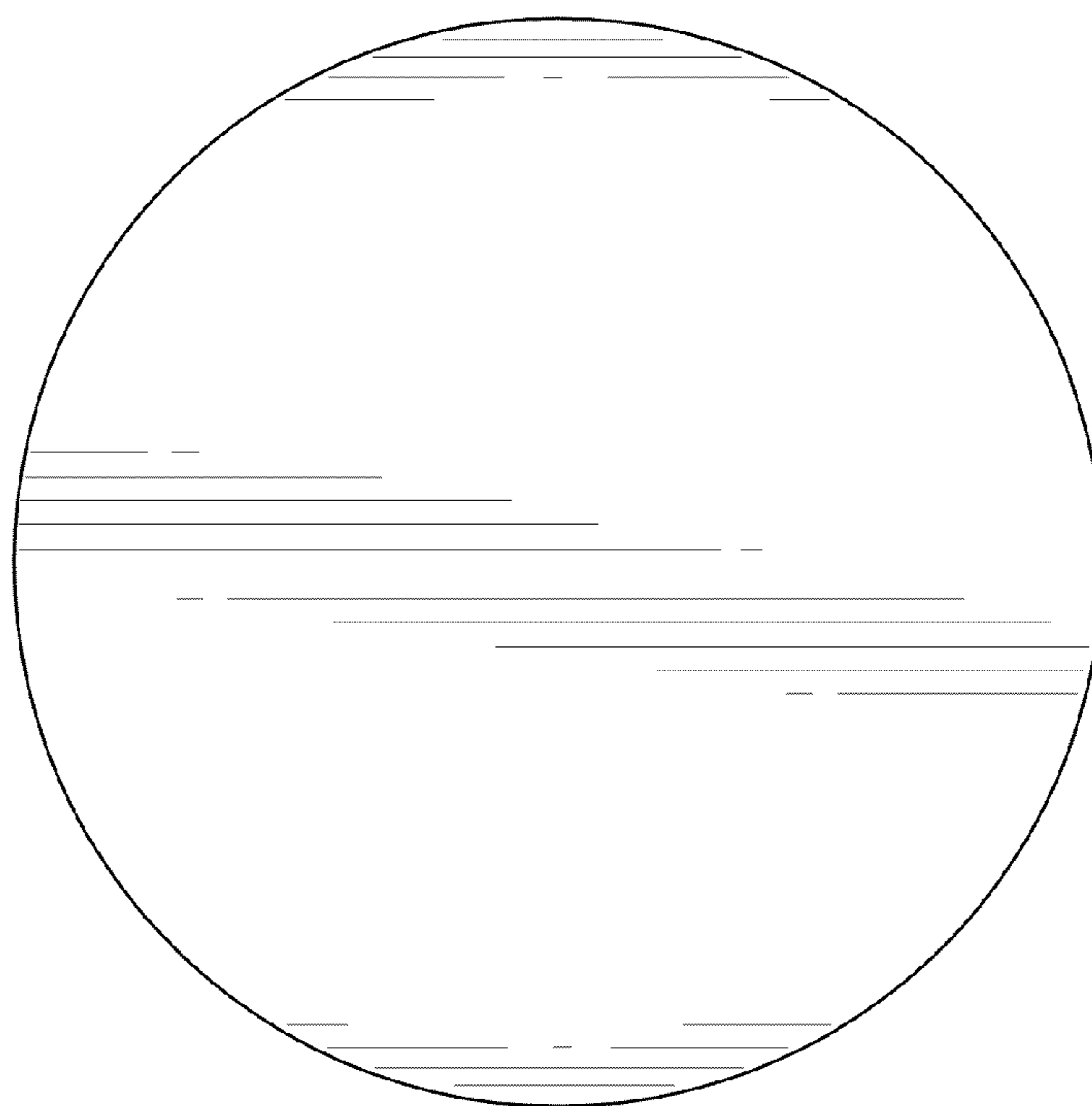


FIG. 4

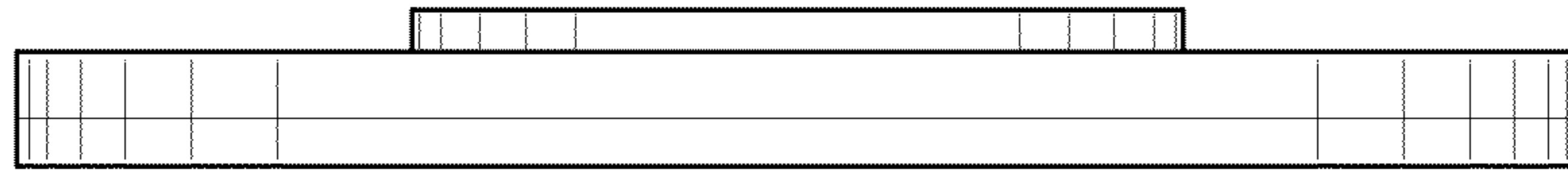


FIG. 5

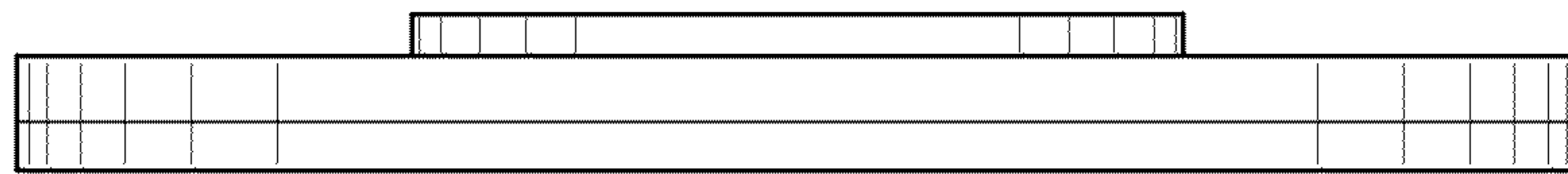


FIG. 6

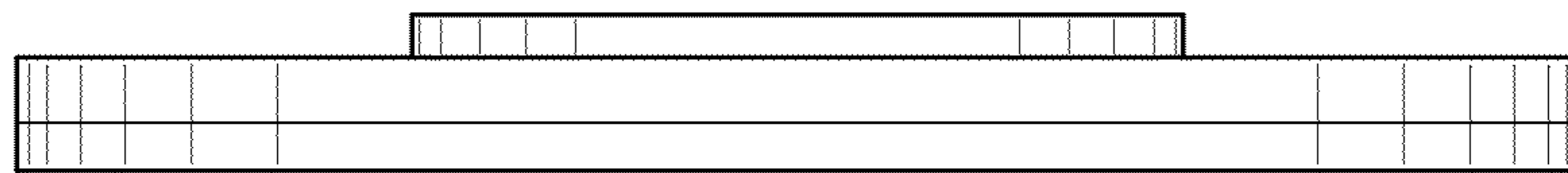


FIG. 7

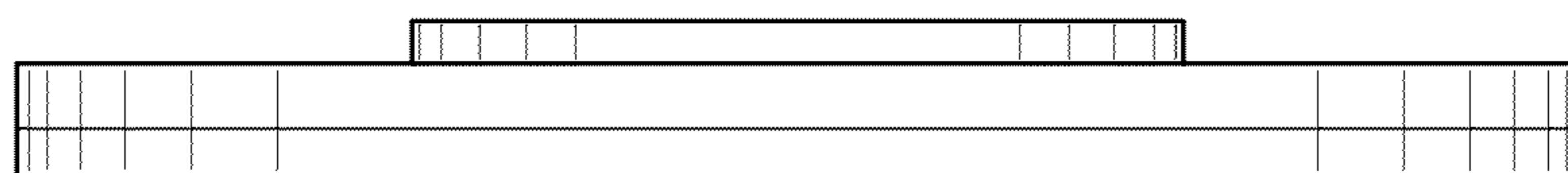


FIG. 8

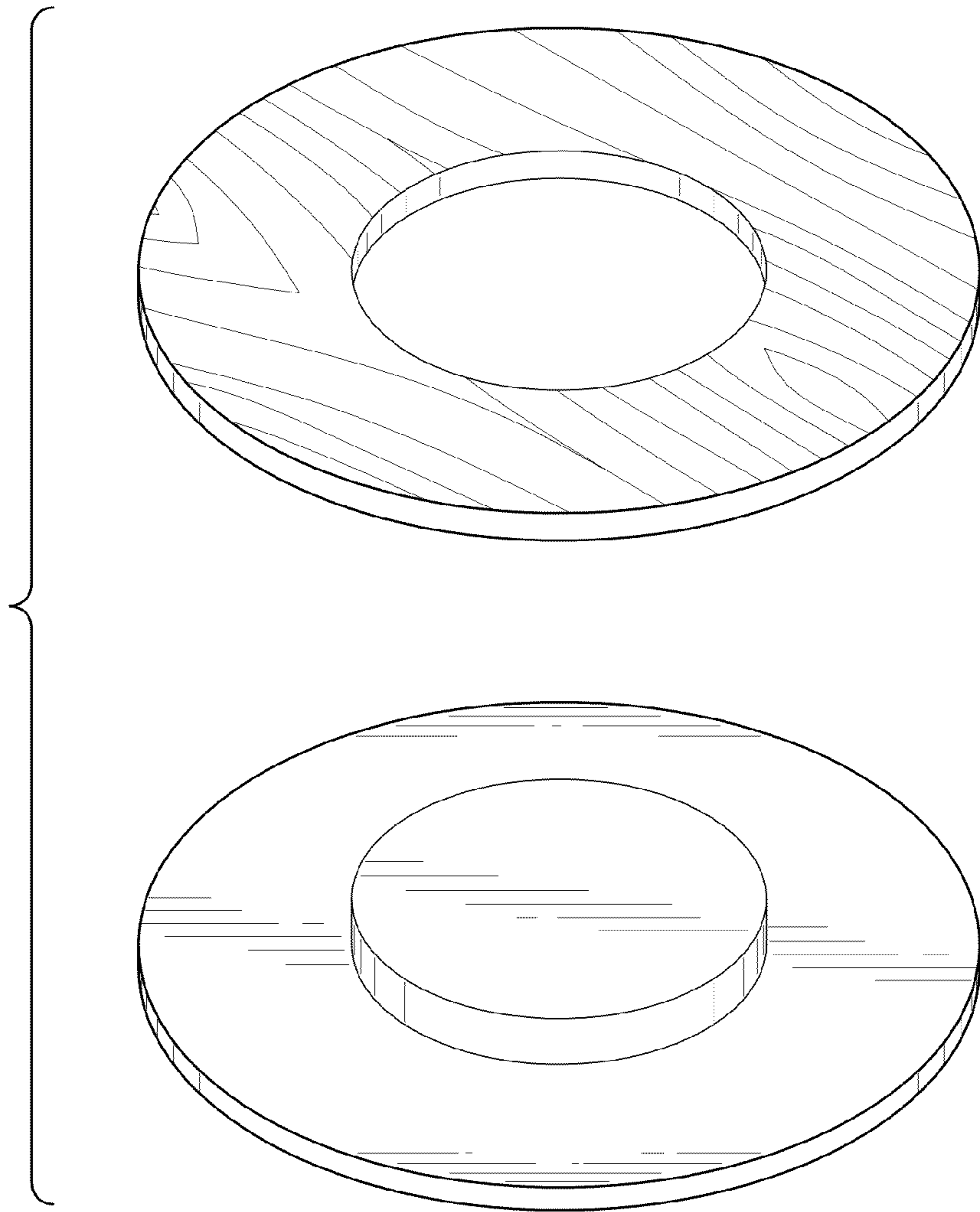


FIG. 9