



US00D756757S

(12) **United States Design Patent**  
**Sugasawara et al.**

(10) **Patent No.:** **US D756,757 S**  
(45) **Date of Patent:** **\*\* May 24, 2016**

- (54) **HANGER FOR SMALL ARTICLES**
- (71) Applicant: **SUGATSUNE KOGYO CO., LTD.**,  
Chiyoda-ku, Tokyo (JP)
- (72) Inventors: **Jun Sugasawara**, Chiyoda-ku (JP);  
**Masahito Yamada**, Chiyoda-ku (JP)
- (73) Assignee: **SUGATSUNE KOGYO CO., LTD.**,  
Chiyoda-Ku (JP)

*Primary Examiner* — Cynthia Underwood  
(74) *Attorney, Agent, or Firm* — Masuvalley & Partners

- (\*\*) Term: **15 Years**
- (21) Appl. No.: **29/528,483**
- (22) Filed: **May 28, 2015**

(57) **CLAIM**  
The ornamental design for a hanger for small articles, as shown and described.

- (30) **Foreign Application Priority Data**  
Nov. 28, 2014 (JP) ..... 2014-026646
- (51) **LOC (10) Cl.** ..... **08-05**
- (52) **U.S. Cl.**  
USPC ..... **D8/367**
- (58) **Field of Classification Search**  
USPC ..... D8/367, 354, 349, 389; 248/301, 302,  
248/303, 304, 339; 24/132 R; D6/325  
CPC ..... A47G 1/00; F16B 2/00; A63B 27/00  
See application file for complete search history.

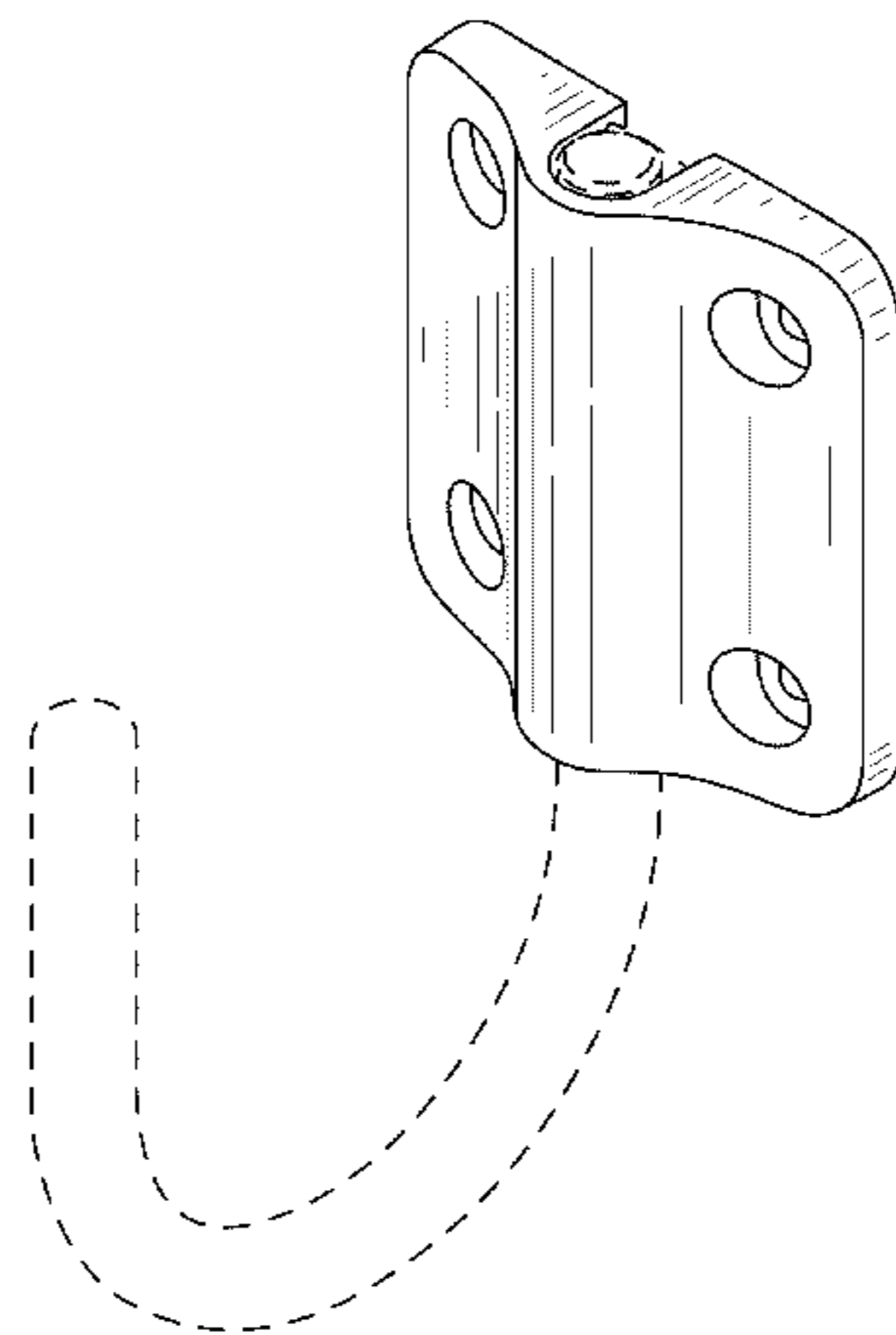
**DESCRIPTION**

FIG. 1 is a perspective view of a hanger for small articles according to the invention;  
 FIG. 2 is a front elevation view of the hanger for small articles of FIG. 1;  
 FIG. 3 is a rear elevation view of the hanger for small articles of FIG. 1;  
 FIG. 4 is a right side elevation view of the hanger for small articles of FIG. 1, with the left side elevation view being symmetrical;  
 FIG. 5 is a top plan view of the hanger for small articles of FIG. 1;  
 FIG. 6 is a bottom plan view of the hanger for small articles of FIG. 1;  
 FIG. 7 is a cross-sectional view of the hanger for small articles through line 7-7 shown in FIG. 2;  
 FIG. 8 is a cross-sectional view of the hanger for small articles through line 8-8 shown in FIG. 2;  
 FIG. 9 is a partially enlarged view of the hanger for small articles through portion 9-9 shown in FIG. 8;  
 FIG. 10 is a perspective view of the hanger for small articles of FIG. 1 for the state where the hook is rotated by 90 degrees with respect to the base;  
 FIG. 11 is a top plan view of the hanger for small articles of FIG. 1 for the state where the hook is rotated by 90 degrees with respect to the base; and,  
 FIG. 12 is a front elevation view of the hanger for small articles of FIG. 1 for the state where the hook is rotated by 90 degrees with respect to the base.  
 The broken line showing of the hanger for small articles depicts environment and forms no part of the claimed design.

- (56) **References Cited**  
U.S. PATENT DOCUMENTS  
D226,167 S \* 1/1973 Del Ponte ..... D8/356  
6,109,579 A \* 8/2000 Huang ..... B60P 7/0807  
248/294.1  
D516,898 S \* 3/2006 Amy ..... D8/356  
7,118,082 B2 \* 10/2006 Brnjac ..... A47G 25/065  
211/106.01  
7,429,024 B2 \* 9/2008 Boklund-Moran .. A47G 29/083  
16/429  
D603,247 S \* 11/2009 Harrell ..... D8/367  
D608,188 S \* 1/2010 Berkowitz ..... D8/367  
7,681,851 B1 \* 3/2010 Osterholt ..... A47G 25/065  
248/308  
D668,936 S \* 10/2012 Wyatt ..... D8/367

(Continued)

**1 Claim, 12 Drawing Sheets**



(56)

**References Cited**

U.S. PATENT DOCUMENTS

D698,628 S *	2/2014	Stanley .....	D8/367	8,974,161 B1 *	3/2015	Hemphill .....	B60P 7/0807
D704,536 S *	5/2014	Porta .....	D8/356				410/106
D715,624 S *	10/2014	Thompson .....	D8/367	2006/0289714 A1 *	12/2006	Boklund-Moran ..	A47G 29/083
							248/339

\* cited by examiner

FIG. 1

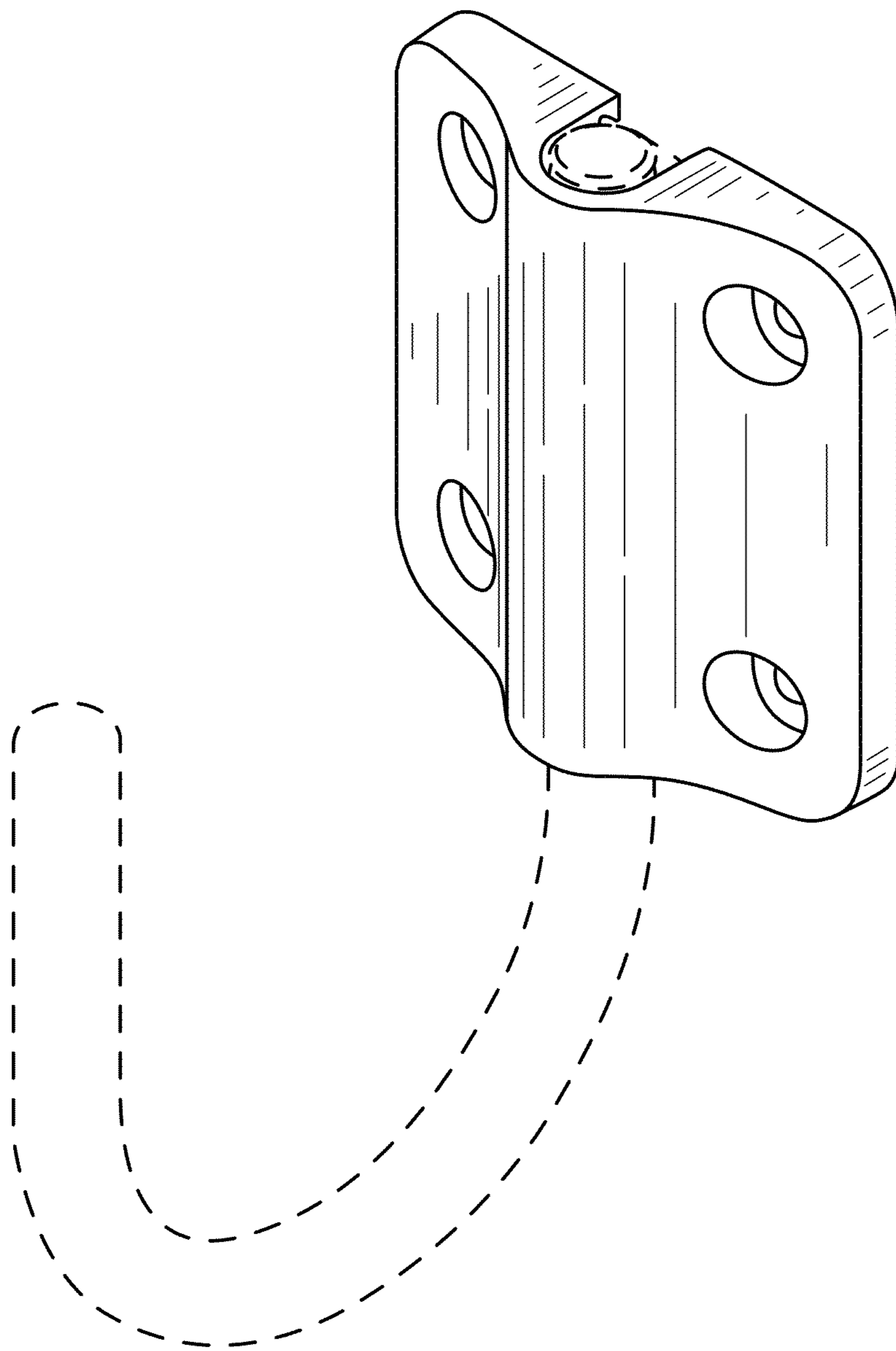


FIG. 2

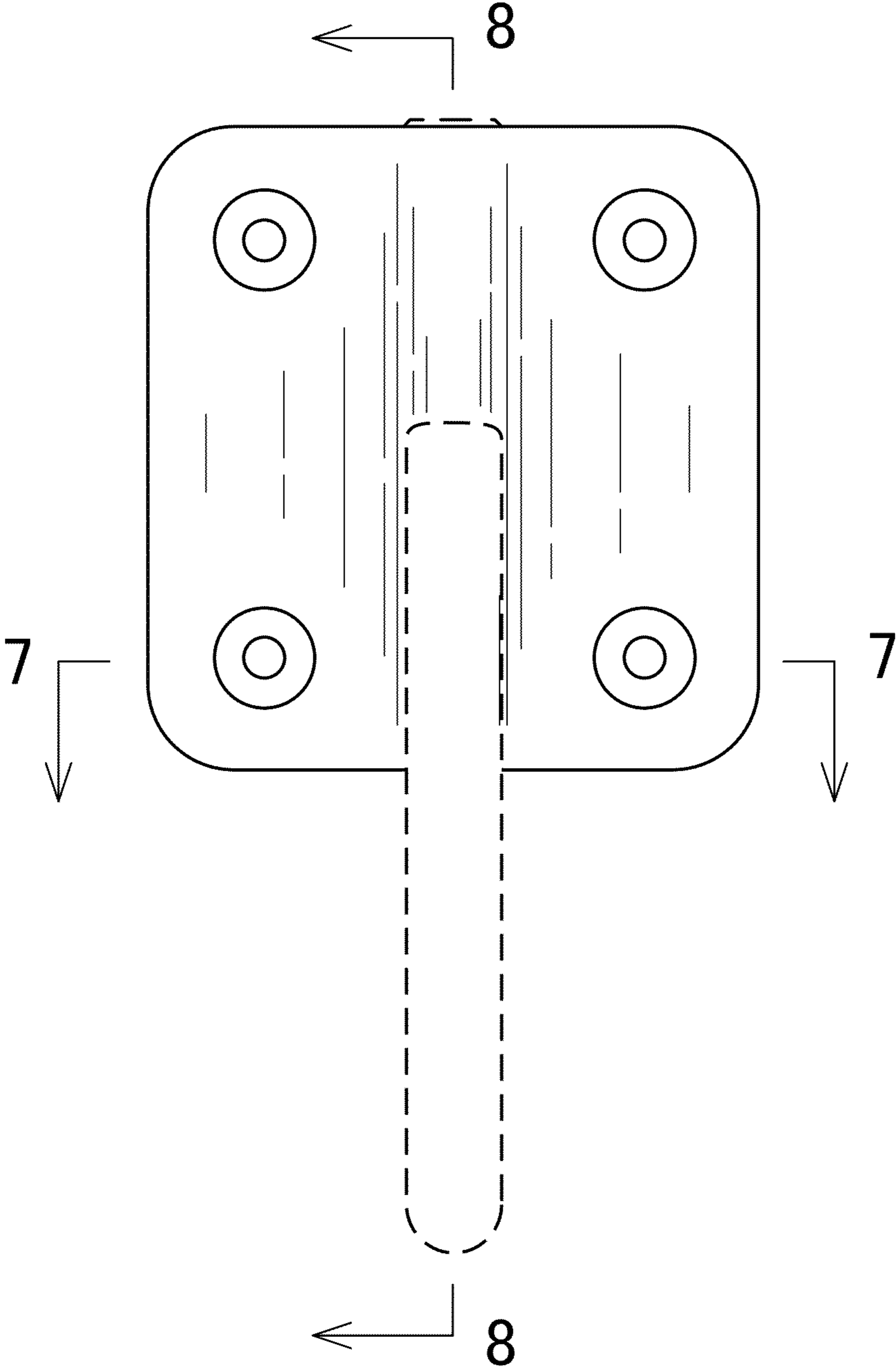


FIG. 3

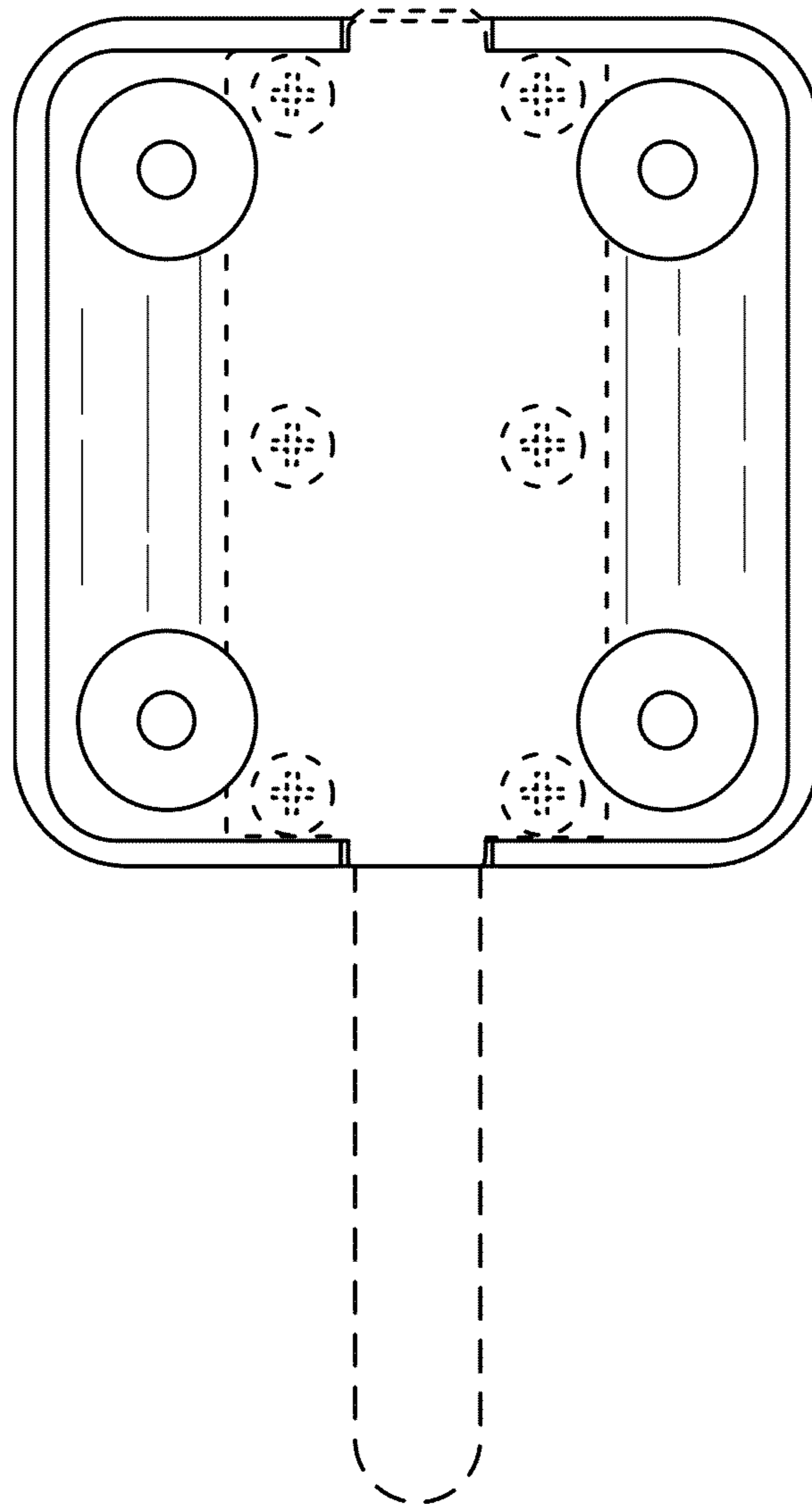


FIG. 4

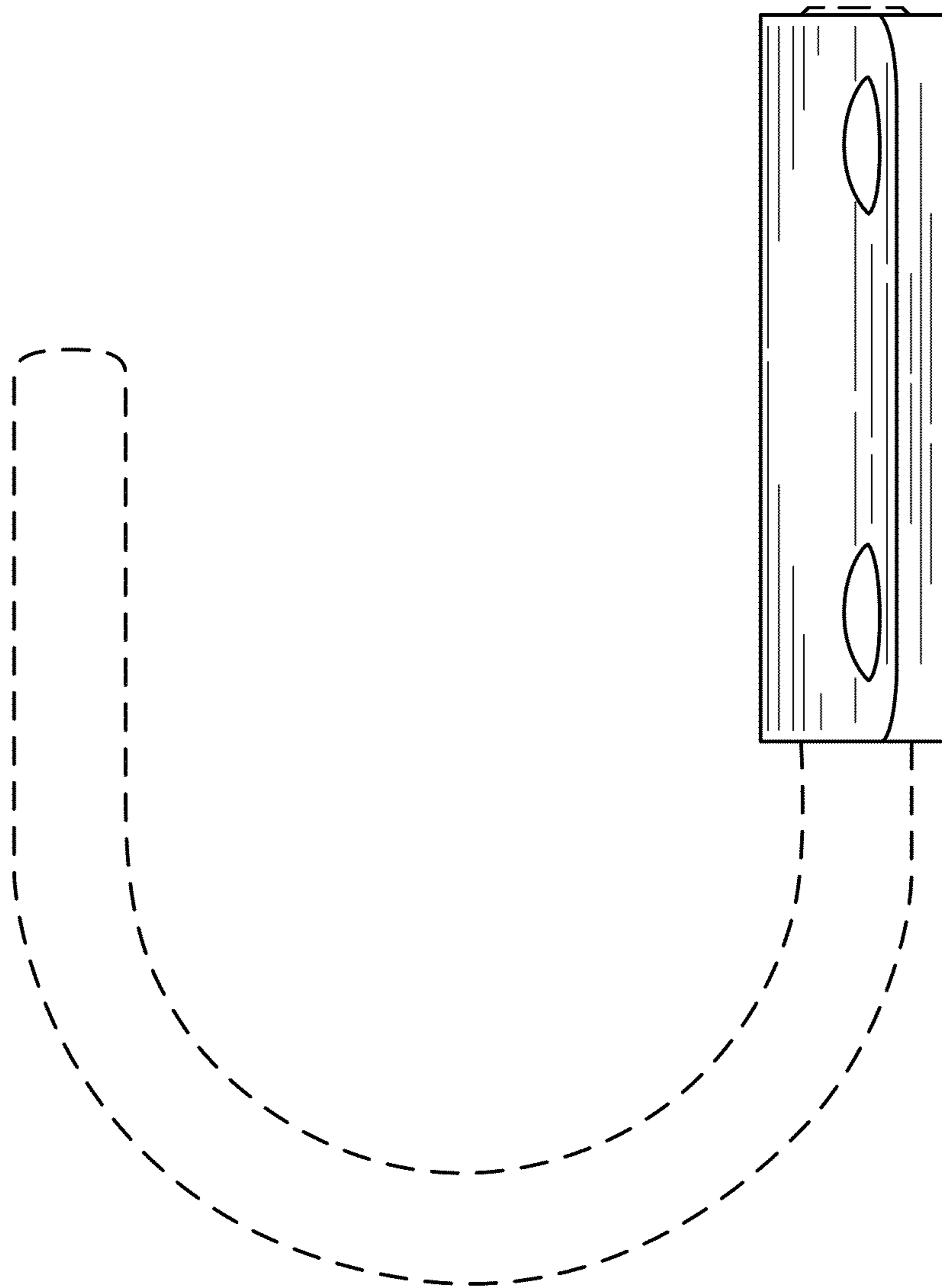


FIG. 5

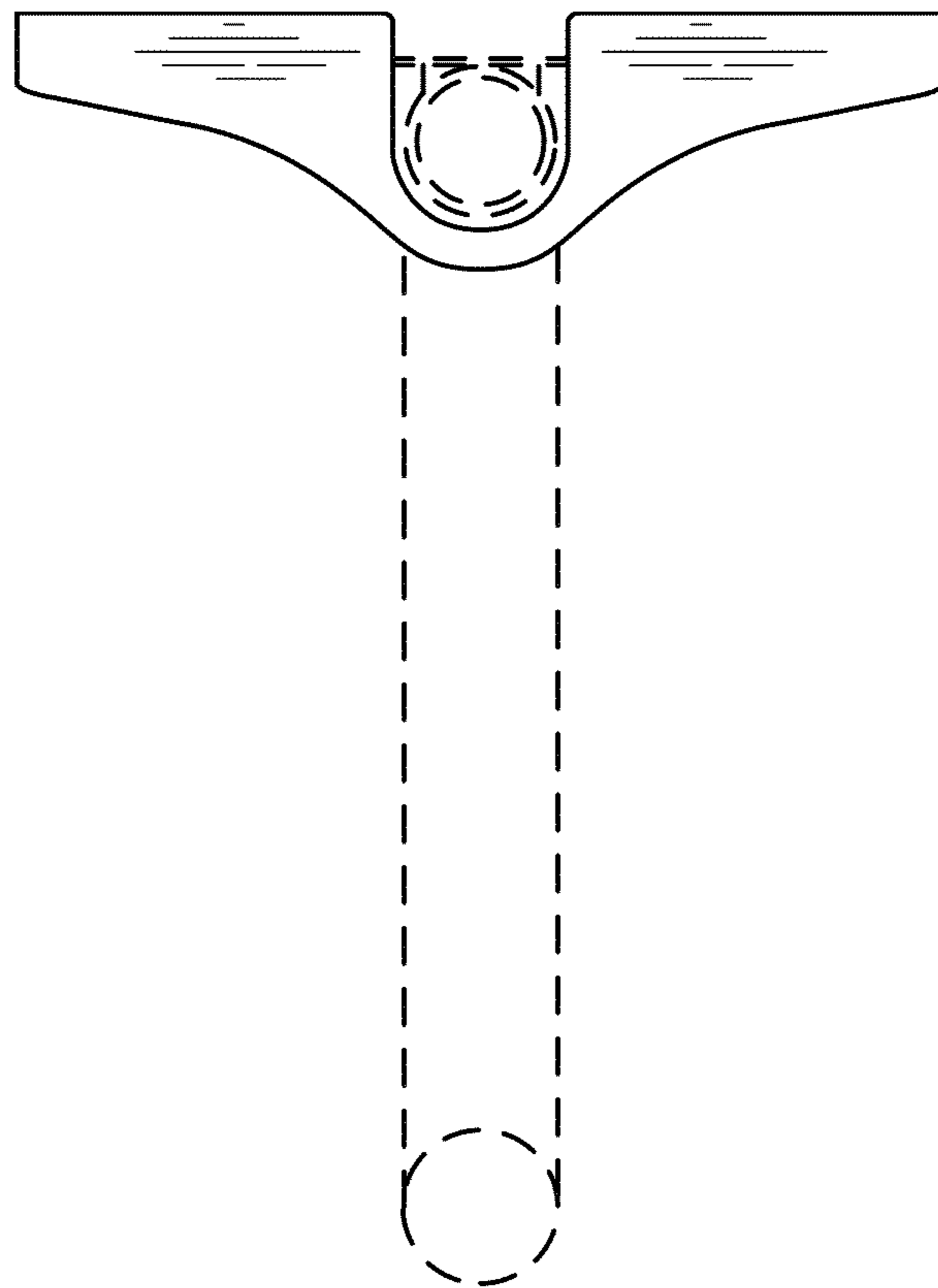


FIG. 6

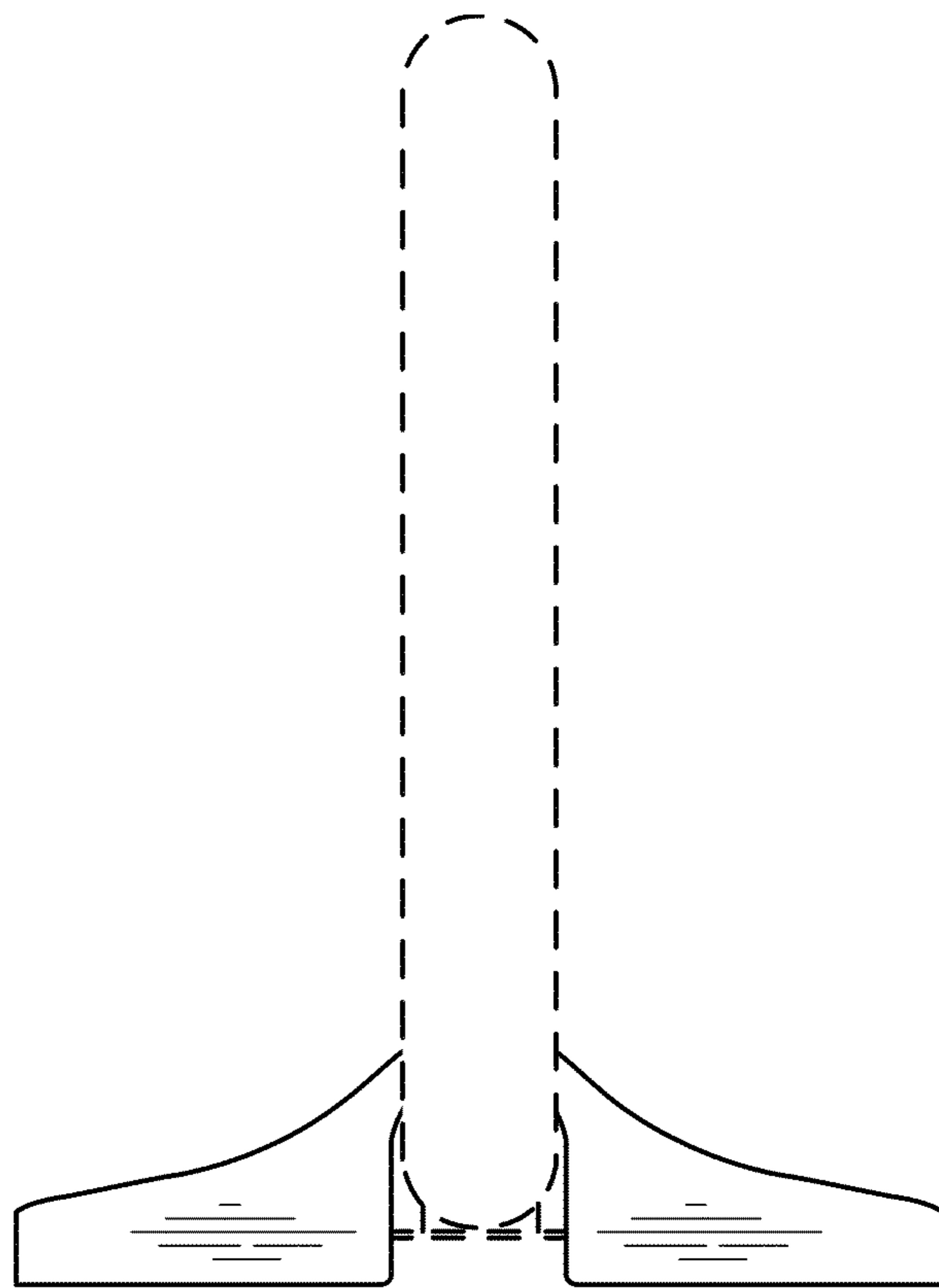




FIG. 7

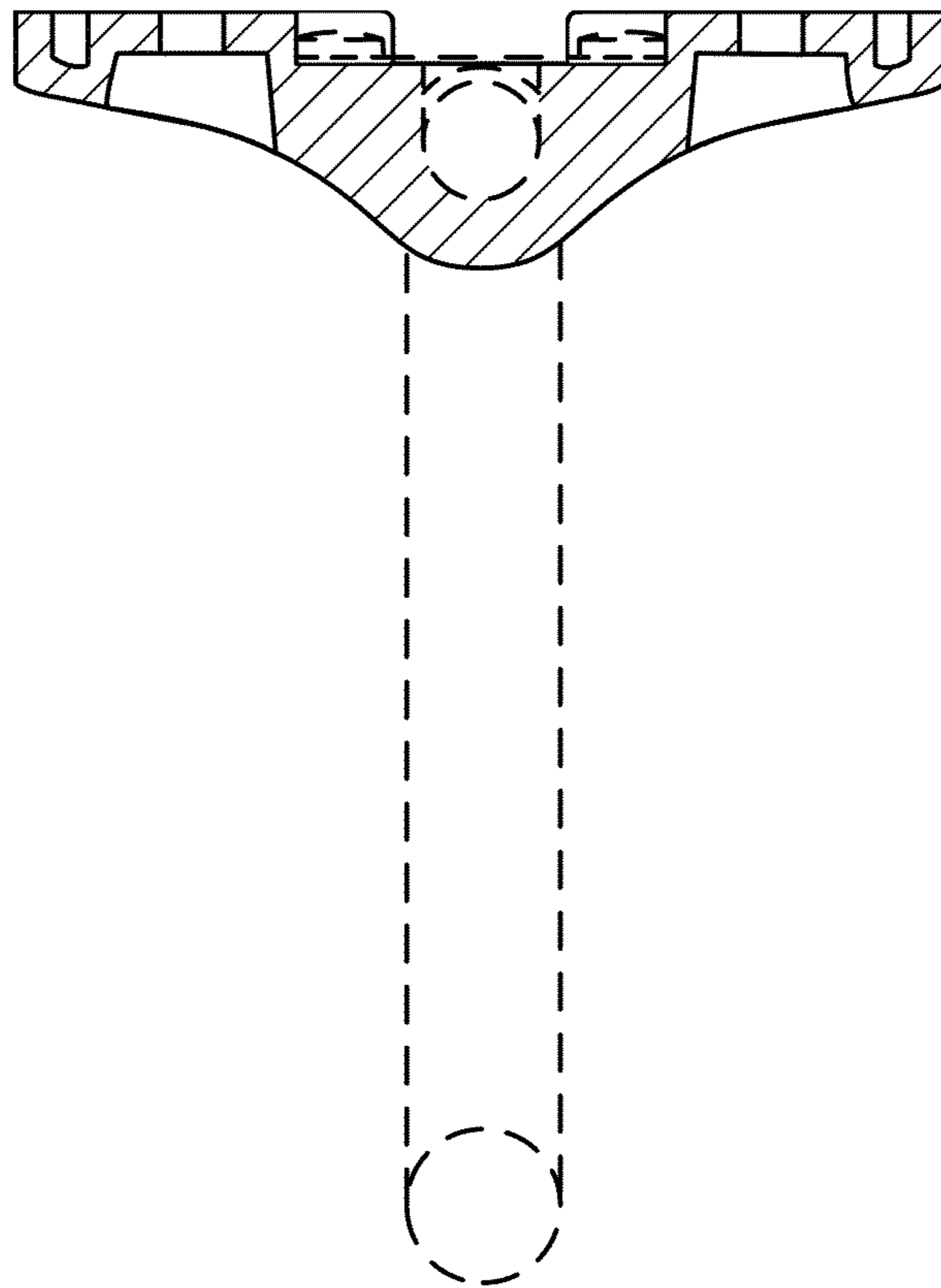


FIG. 8

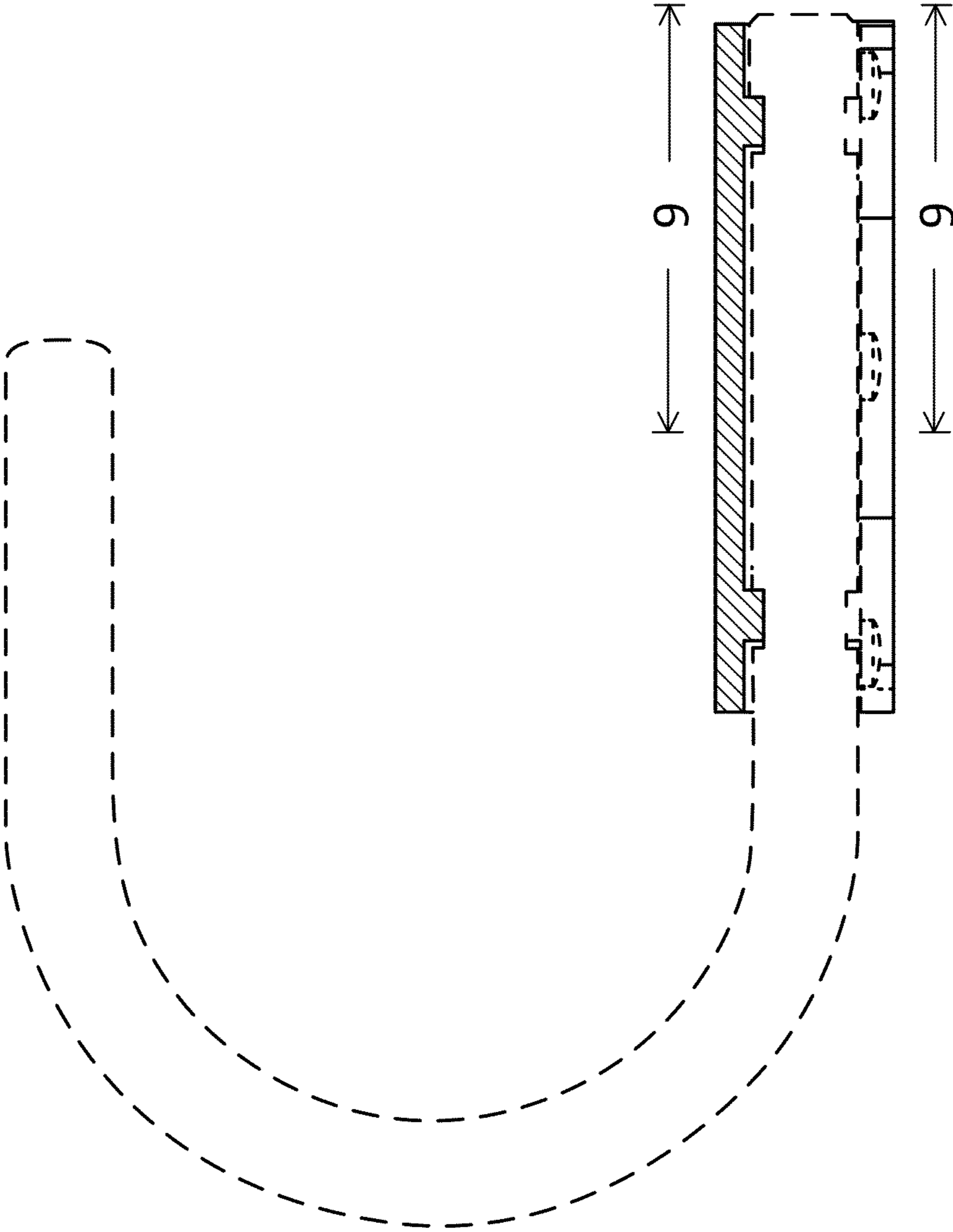


FIG. 9

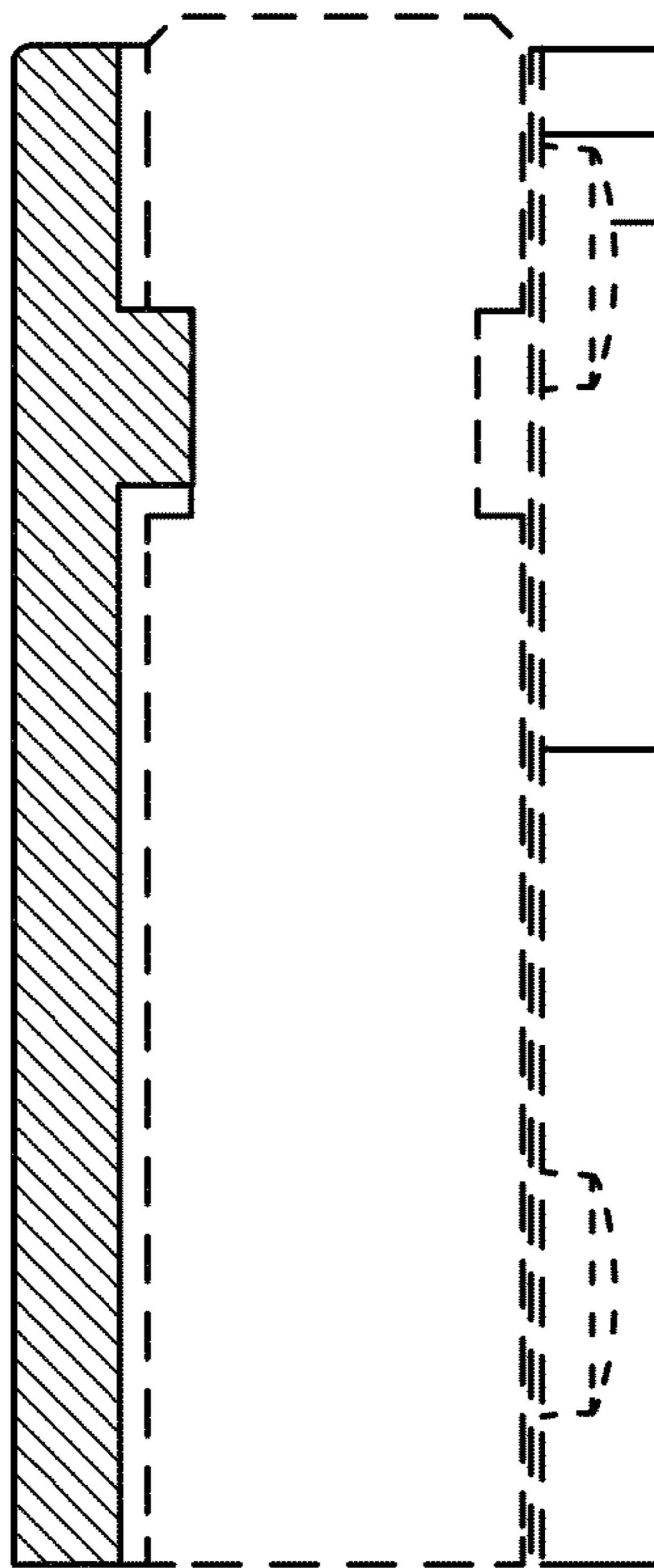


FIG. 10

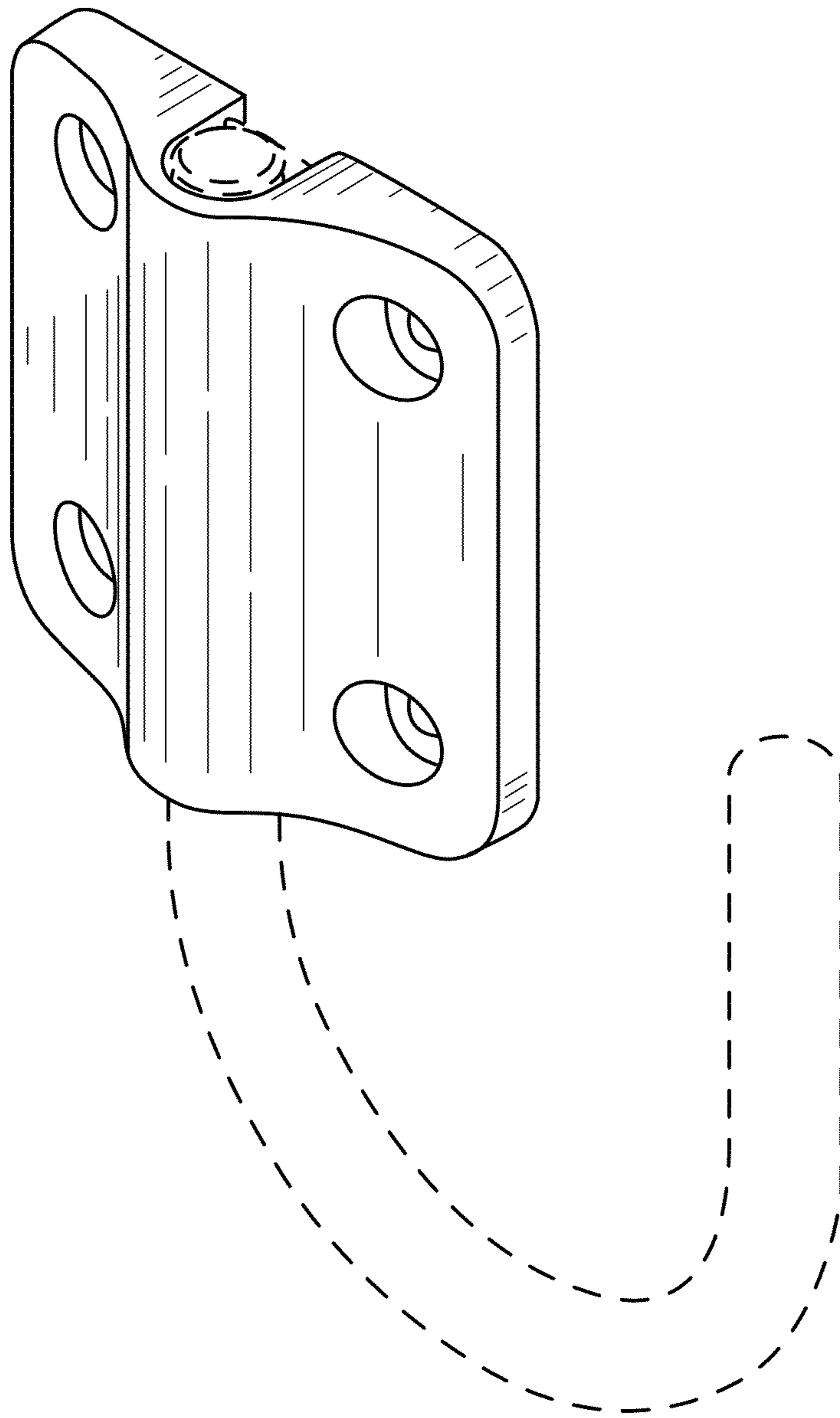


FIG. 11

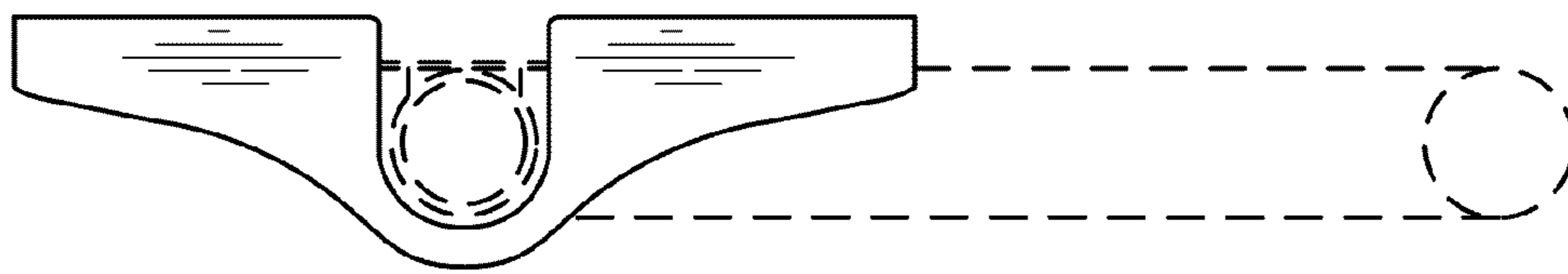


FIG. 12

