



US00D756756S

(12) **United States Design Patent**
Kuehn

(10) **Patent No.:** **US D756,756 S**

(45) **Date of Patent:** **** May 24, 2016**

(54) **SUPPORT HOOK**

(71) Applicant: **TARGET BRANDS, INC.**,
Minneapolis, MN (US)

(72) Inventor: **Thomas P. Kuehn**, St. Louis Park, MN
(US)

(73) Assignee: **Target Brands, Inc.**, Minneapolis, MN
(US)

(**) Term: **14 Years**

(21) Appl. No.: **29/514,516**

(22) Filed: **Jan. 13, 2015**

(51) **LOC (10) Cl.** **08-05**

(52) **U.S. Cl.**
USPC **D8/367**

(58) **Field of Classification Search**
USPC D8/367, 354, 349, 389; 248/301, 302,
248/303, 304, 339; D6/325
CPC A47G 1/00; F16B 2/00; A63B 27/00
See application file for complete search history.

(56) **References Cited**

U.S. PATENT DOCUMENTS

441,266	A *	11/1890	Volz	B44D 3/123	248/110
954,765	A	4/1910	Rune			
3,153,526	A	10/1964	Pawsey			
D242,407	S	11/1976	Enckler			
D242,510	S	11/1976	Enckler			
D312,385	S	11/1990	Hamann			
5,116,003	A	5/1992	Gerhardt			
5,372,346	A *	12/1994	Upchurch	F16B 21/04	248/222.52
5,388,709	A	2/1995	Adams			
5,839,589	A	11/1998	Hillard			
6,254,053	B1	7/2001	Taser			
D555,947	S	11/2007	Vestweber			

D591,143	S *	4/2009	Ernst	D8/370	
7,654,400	B2	2/2010	Orr			
7,972,100	B2 *	7/2011	Horvath	F16B 13/002	248/304
8,234,826	B1 *	8/2012	Proffitt, Jr.	E02D 27/00	52/293.3
D674,681	S *	1/2013	Gorman	D8/367	
D698,628	S *	2/2014	Stanley	D8/367	
D700,830	S *	3/2014	Brockman	D8/367	
D705,542	S *	5/2014	Holt	D3/318	
D746,664	S *	1/2016	Najieb	D23/411	
D748,966	S *	2/2016	Morinaga	D8/323	
D749,394	S *	2/2016	Morinaga	D8/323	

OTHER PUBLICATIONS

U.S. Appl. No. 514,514, filed Jan. 13, 2015 (6 pages).
U.S. Appl. No. 29/514,512, filed Jan. 13, 2015 (15 pages).
U.S. Appl. No. 29/514,511, filed Jan. 13, 2015 (5 pages).

(Continued)

Primary Examiner — Cynthia Underwood
(74) *Attorney, Agent, or Firm* — Griffiths & Seaton PLLC;
JoAnn M. Seaton

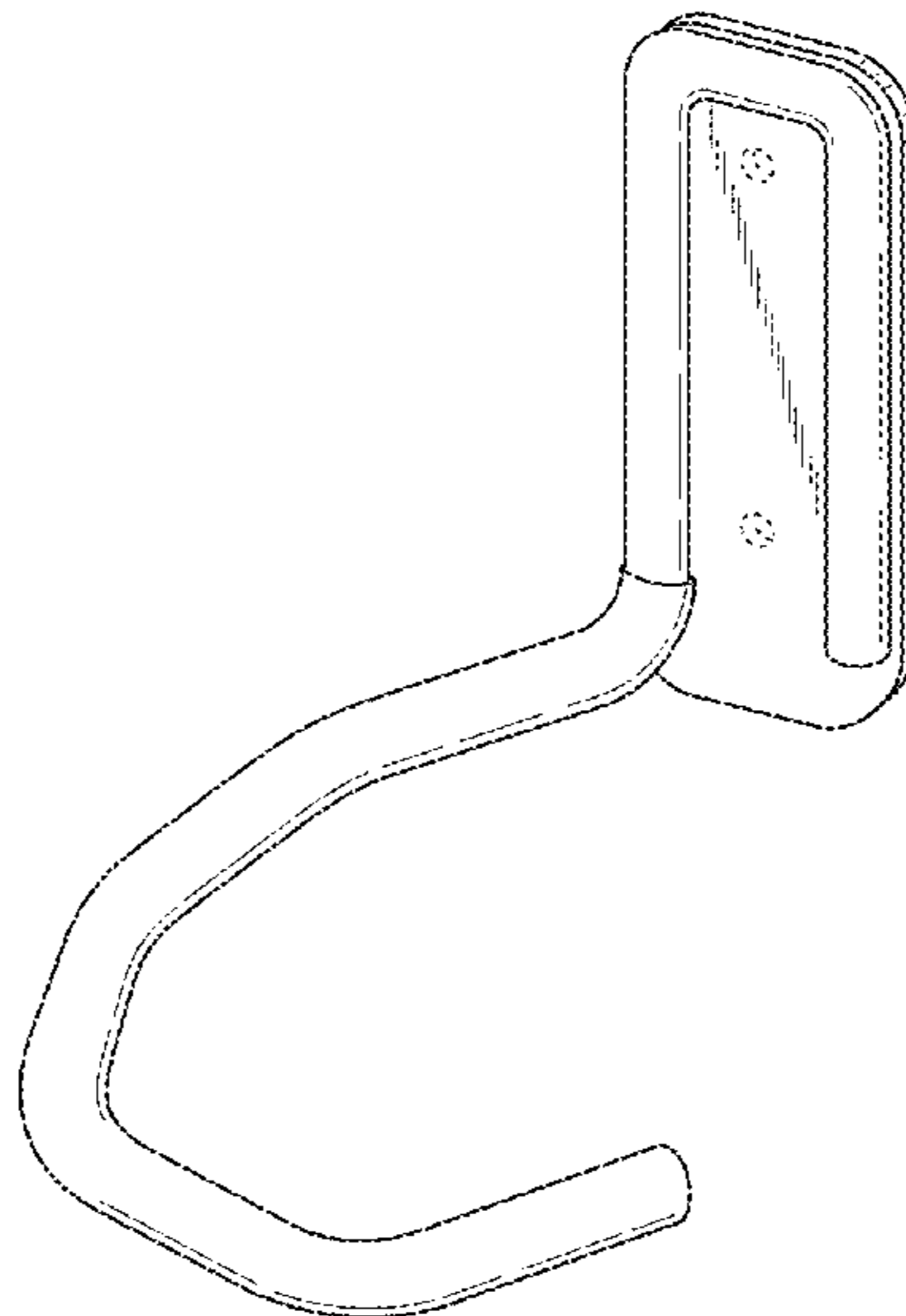
(57) **CLAIM**

The ornamental design for a support hook, as shown and described.

DESCRIPTION

FIG. 1 is a front, perspective view of a support hook showing a first embodiment of our new design;
FIG. 2 is a front view thereof;
FIG. 3 is a rear view thereof;
FIG. 4 is a right side view thereof;
FIG. 5 is a left side view thereof;
FIG. 6 is a top view thereof; and,
FIG. 7 is a bottom view thereof.
The features shown in broken lines are portions of the support hook forming no part of the claimed design.

1 Claim, 4 Drawing Sheets



(56)

References Cited

OTHER PUBLICATIONS

“K&M Guitar Wall Mount,” printed from <http://www.guitarcenter.com/K-M-Guitar-Wall-Mount-450472-i1320525.gc>, publicly available at least as early as Oct. 26, 2007, per <http://web.archive.org> (3 pages).

“Rubbermaid FastTrack Multi-Purpose Storage Hook,” printed from http://www.kohls.com/product/prd-1594793/Rubbermaid-Fast-Track-M...cc=ci&srccode=cii_17588969&cpncode=42-1736833-2&CID=shopping15, publicly available at least as early as Sep. 3, 2008 (4 pages).

“Rubbermaid FastTrack Hose Hook,” printed from http://www.kohls.com/product/prd-1594795/Rubbermaid-FastTrack-H...c=ci&srccode=cii_17588969&cpncode=32-411695166-2&CID=shopping15, publicly available at least as early as Oct. 13, 2008 (4 pages).

“Dura Storewall Accessories,” printed from <http://www.duragarages.com/our-products/wall-mounted-storage/dura-storewall-accessories/>, publicly available at least as early as Dec. 3, 2011, per <http://web.archive.org> (2 pages).

“Elfa Utility Straight Handled Tool Hook,” printed from <http://www.containerstore.com/shop?productId=10023234&N=&Nao=120&Ntt=hooks>, publicly available at least as early as Feb. 24, 2012 (3 pages).

“Elfa Utility Wide Ladder Hook,” printed from <http://www.containerstore.com/shop?productId=10023236&N=&Nao=120&Ntt=hooks>, publicly available at least as early as Mar. 19, 2012 (3 pages).

“Tornado 00500 Small U-Hook,” printed from <http://www.amazon.com/Tornado-00500-Small-U-Hook/dp/B0050PHTLS>, publicly available at least as early as May 13, 2011 (5 pages).

“Tornado 00520 Large J-Hook,” printed from <http://www.amazon.com/Tornado-00520-Large-J-Hook/dp/B0050PLCUW>, publicly available at least as early as May 13, 2011 (6 pages).

“FastTrack Garage Hose Hook,” printed from [http://www.homedepot.com/p/Rubbermaid-FastTrack-Garage-Hose-Hook-](http://www.homedepot.com/p/Rubbermaid-FastTrack-Garage-Hose-Hook-1785478/100387753)

1785478/100387753, publicly available at least as early as Apr. 21, 2013, per <http://web.archive.org> (2 pages).

“Wall-Mount Hanger Holder,” printed from <http://www.stacksandstacks.com/wall-mount-hanger-holder>, publicly available at least as early as Aug. 20, 2014, per <http://web.archive.org> (2 pages).

“Wall-Mount Swing Arm,” printed from <http://www.stacksandstacks.com/wall-mount-swing-arm>, publicly available at least as early as Aug. 20, 2014, per <http://web.archive.org> (2 pages).

“Vertex Z8050 Multi-Purpose Hook, Accessory Organizer for StorEdge Cabinets and StorEdge VersaTrak and VersaPanel, Two Pronged,” printed from <http://www.amazon.com/Vertex-Z8050-Multi-Purpose-Accessory-VersaPanel/dp/B002WC8TK2>, publicly available at least as early as Nov. 24, 2009 (4 pages).

“4 Position Kitchen Storage Mop Broom Organizer Mop & Broom Holder Wall Mounted,” printed from <http://www.aliexpress.com/item/4-Position-Kitchen-Storage-Mop-Broom-Organizer-MOP-BROOM-HOLDER-Wall-Mounted/1402009056.html>, publicly available at least as early as Oct. 15, 2014 (2 pages).

“12.5" Mop & Broom Holder—Grey,” printed from <http://www.houzz.com/photos/15325999/125-Mop-and-Broom-Holder-Grey-modern-mops-brooms-and-dustpans>, publicly available at least as early as Oct. 15, 2014 (1 page).

“Craftsman Hooktite Long General Purpose Hook for VersaTrack Trackwall,” printed from http://www.searsoutlet.com/Hooktite™-Long-General-Purpose-Hook-for-VersaTrack-Trackwall/d/product_details.jsp?pid=29884&mode=seeAll, publicly available at least as early as Oct. 15, 2014 (5 pages).

“Ladder Hook,” printed from <http://www.rubbermaid.com/Category/Pages/ProductDetail.aspx?CatNam...>

atId=FastTrackGarageOrganizationSystem&Prod_ID=RP091281&Redirect=1, publicly available at least as early as 2009 (4 pages).

“Tornado Ladder Hook, 00525,” printed from <http://www.walmart.com/ip/Racor-Tornado-525-Ladder-Hook/19300135>, publicly available at least as early as Oct. 15, 2014 (2 pages).

“Secure Lock Long Utility Hook,” printed from <http://www.homedepot.com/p/Husky-Secure-Lock-Long-Utility-Hook-THD203/202601094>, publicly available at least as early as Nov. 18, 2014 (2 pages).

* cited by examiner

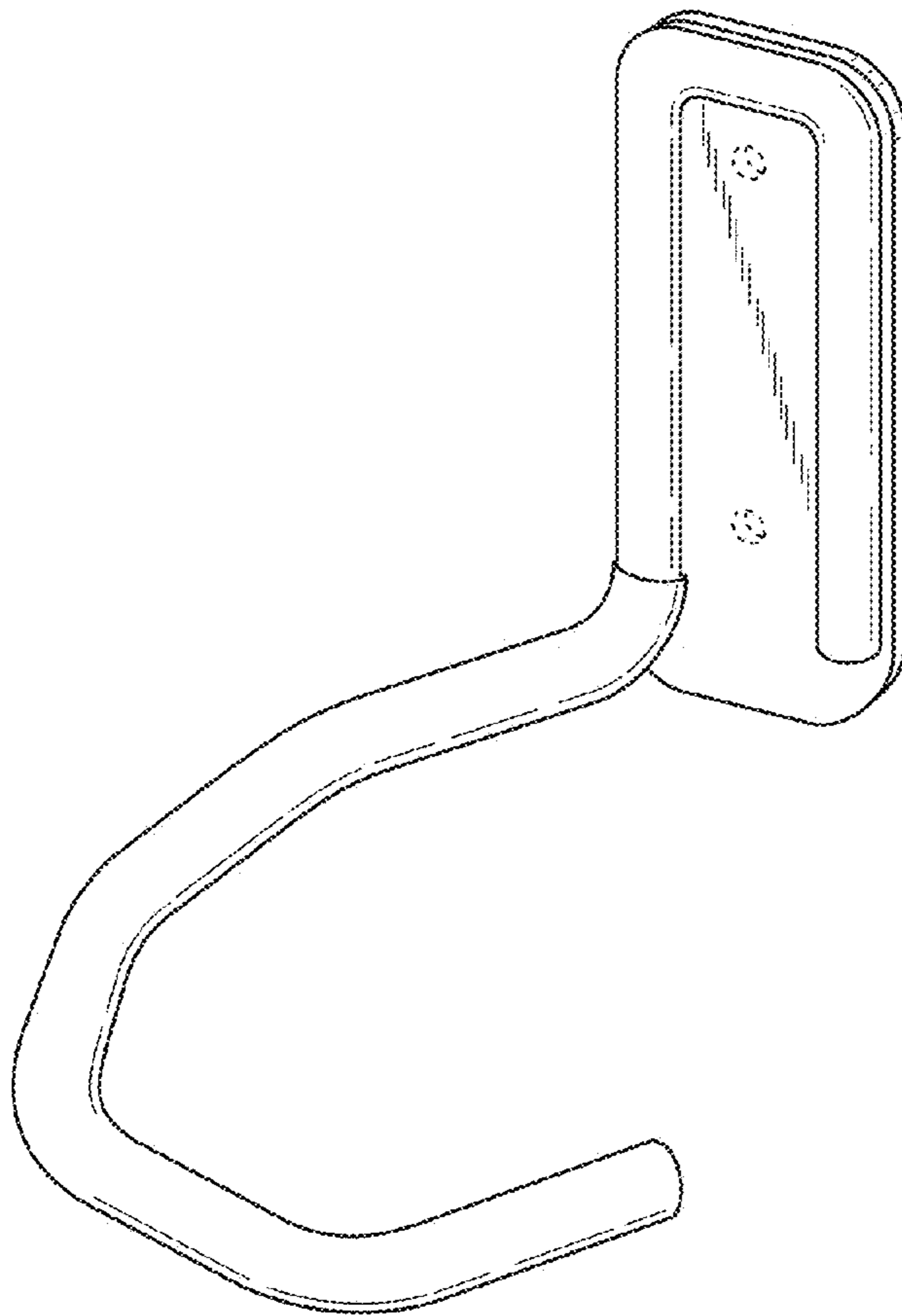


FIG. 1

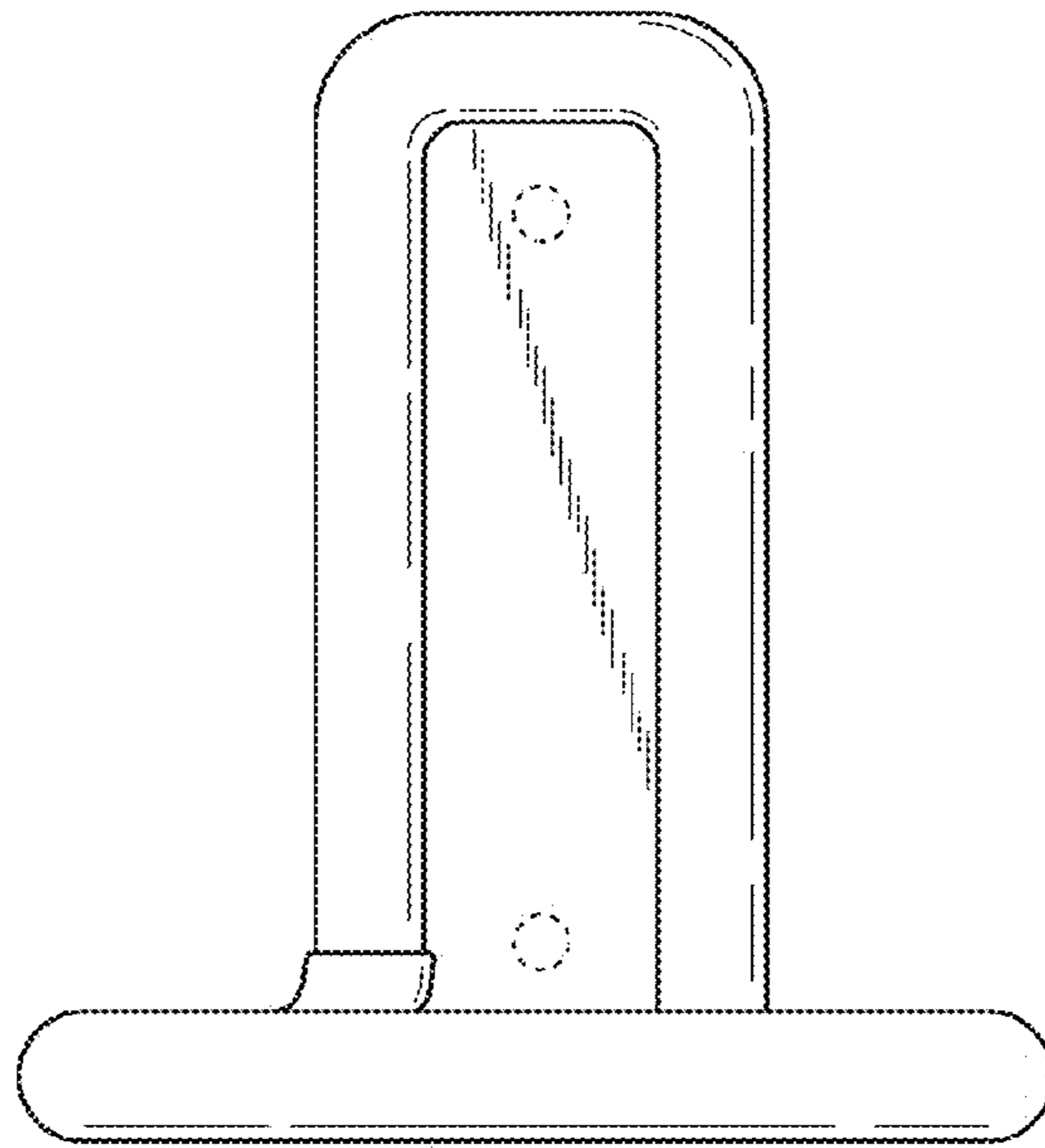


FIG. 2

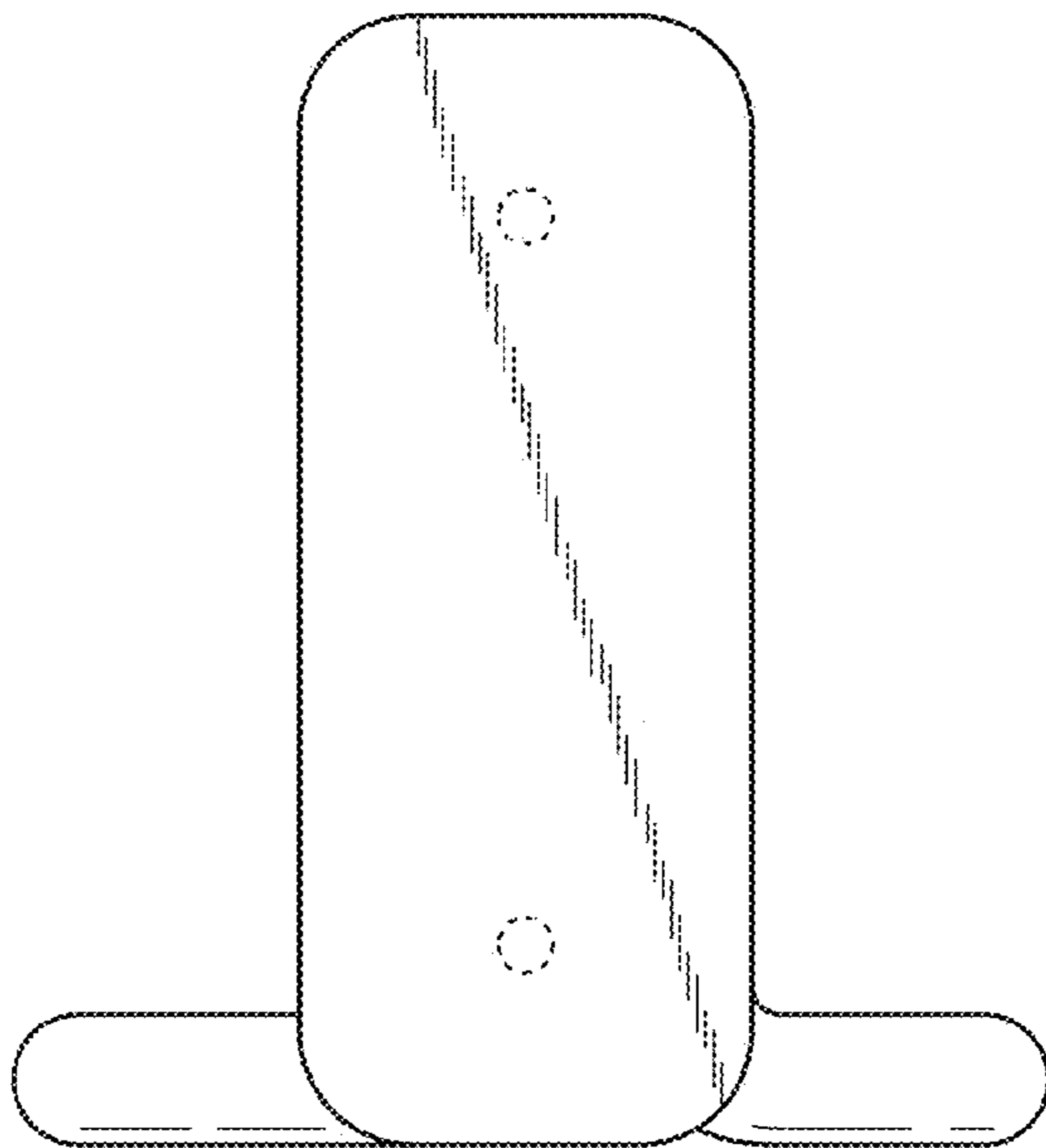


FIG. 3

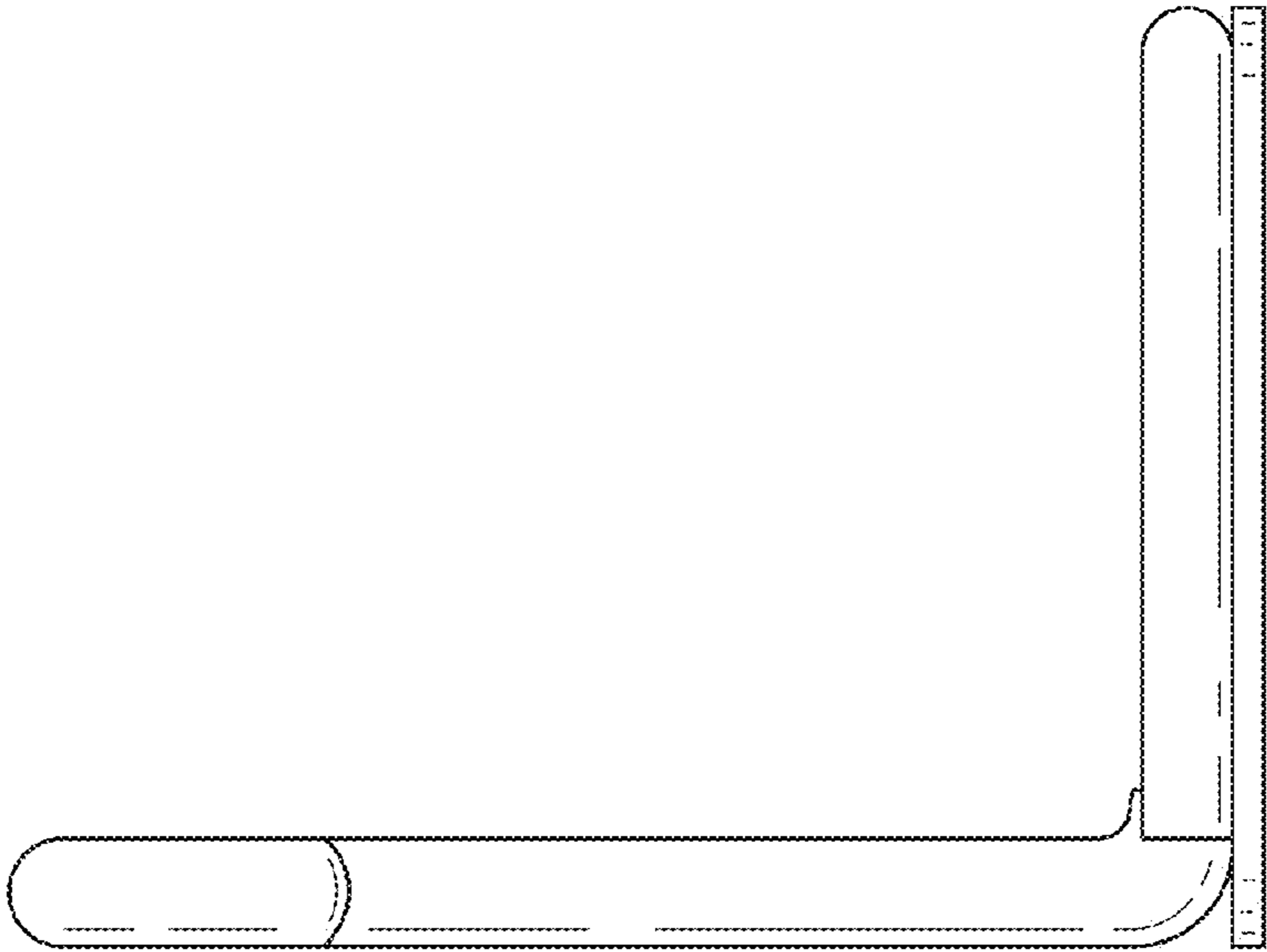


FIG. 4

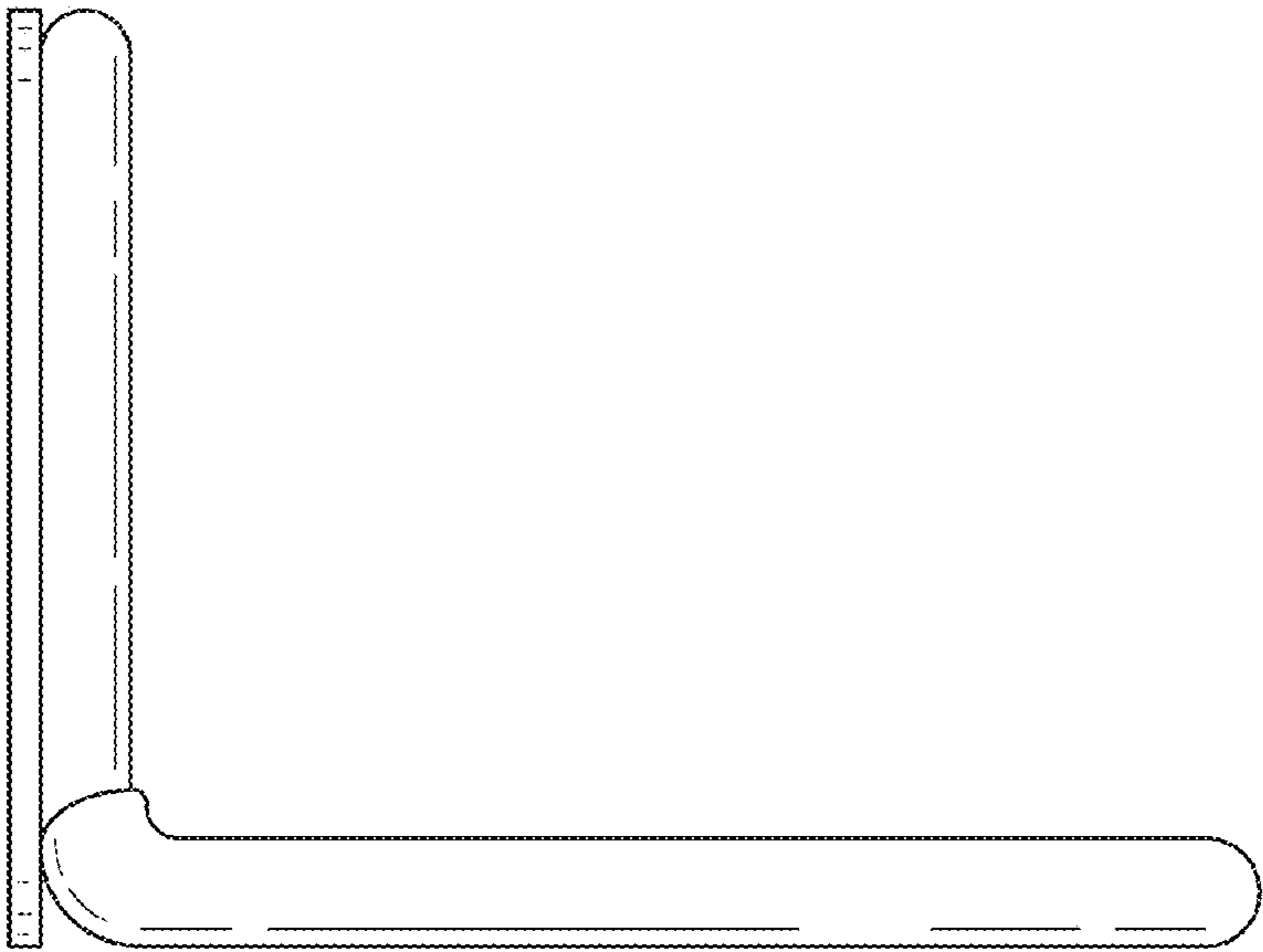


FIG. 5

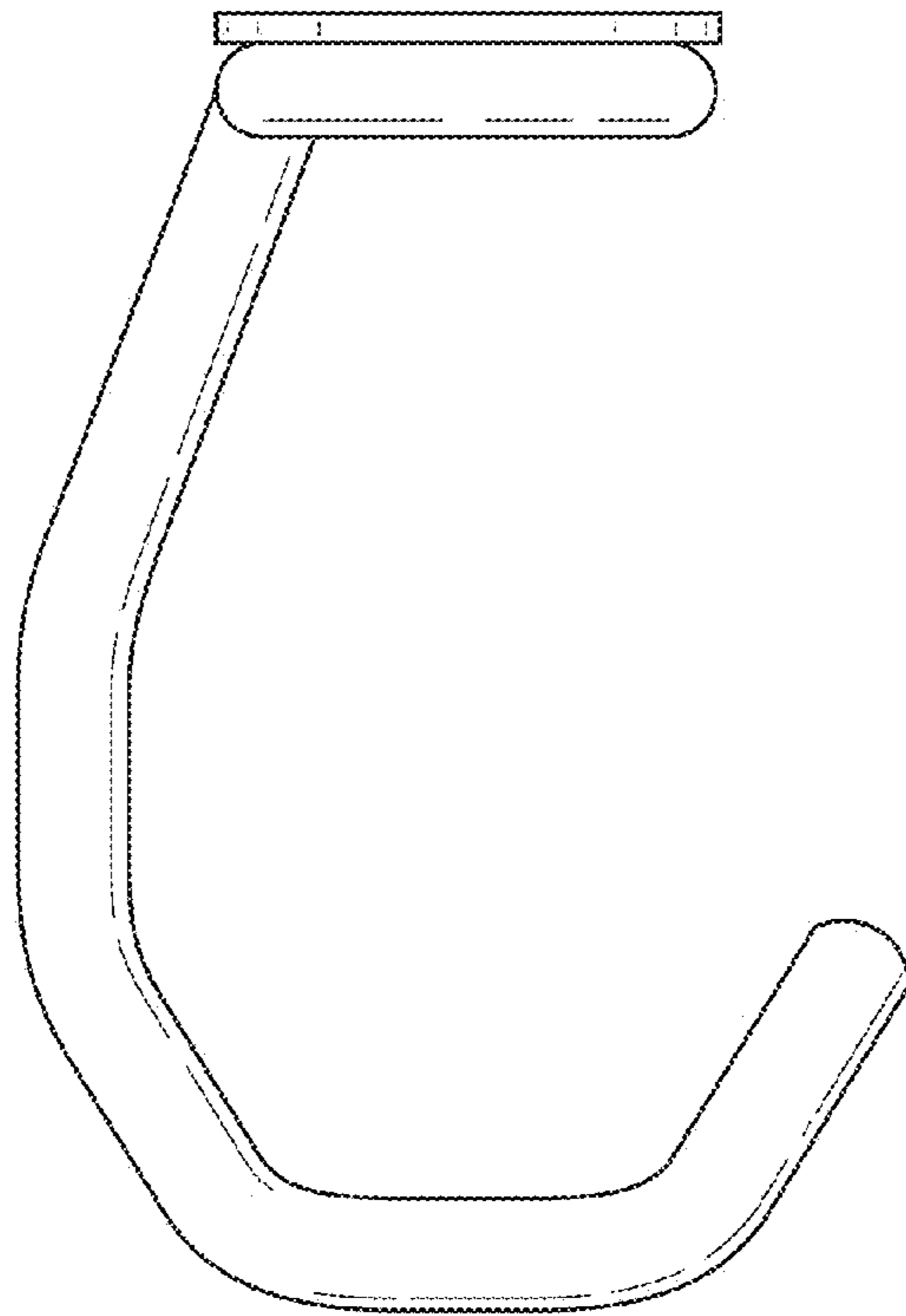


FIG. 6

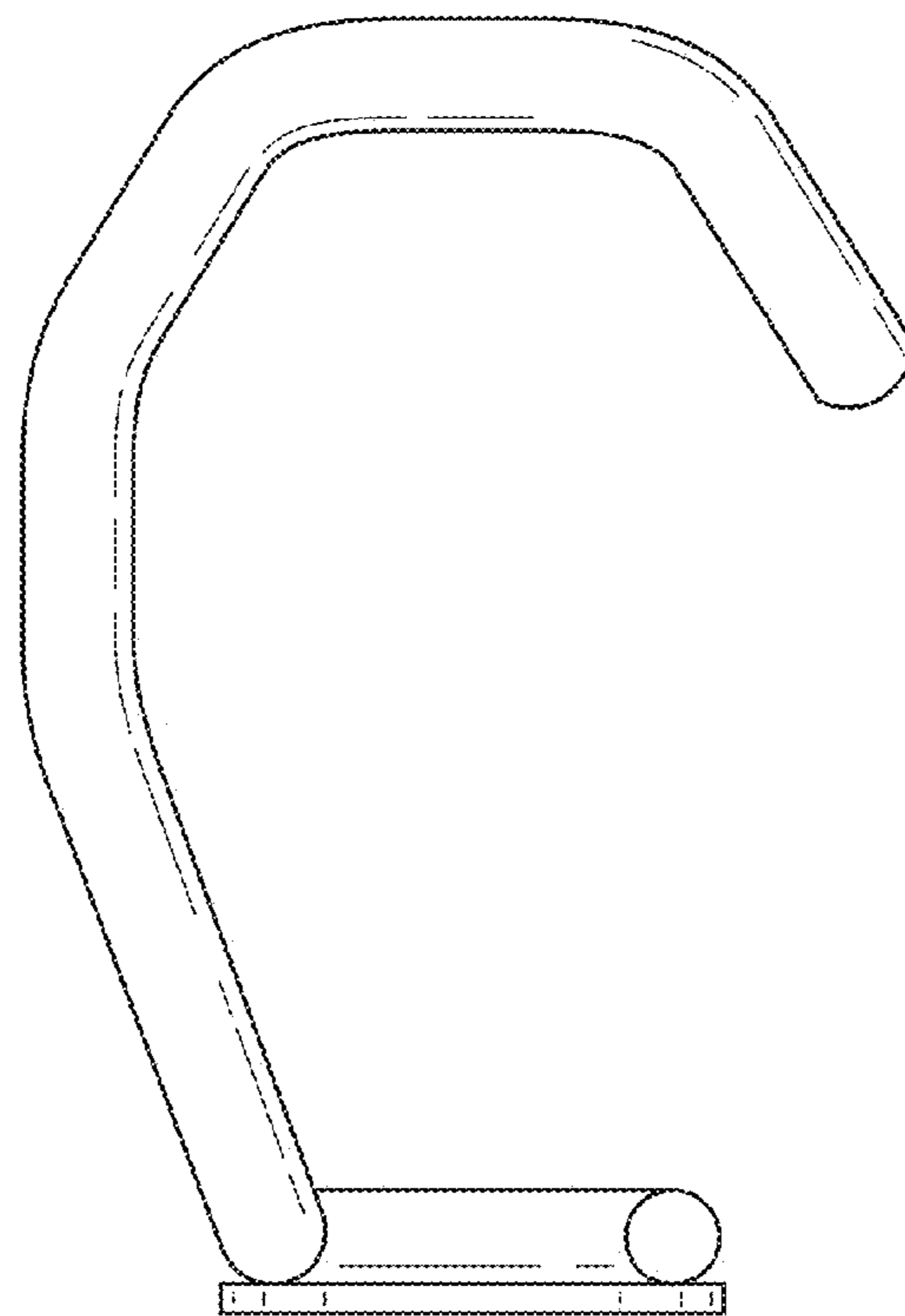


FIG. 7