



US00D756753S

(12) **United States Design Patent**
Kawaguchi

(10) **Patent No.:** **US D756,753 S**

(45) **Date of Patent:** **** May 24, 2016**

(54) **HOOK**

(71) Applicant: **NIFCO INC.**, Yokohama-shi, Kanagawa (JP)

(72) Inventor: **Gaku Kawaguchi**, Yokohama (JP)

(73) Assignee: **NIFCO INC.**, Yokohama-Shi, Kanagawa (JP)

(**) Term: **14 Years**

(21) Appl. No.: **29/496,909**

(22) Filed: **Jul. 18, 2014**

(30) **Foreign Application Priority Data**

Jan. 20, 2014 (JP) 2014-000903

(51) **LOC (10) Cl.** **08-05**

(52) **U.S. Cl.**
USPC **D8/367**

(58) **Field of Classification Search**
USPC D8/367, 354, 349; 248/301, 302, 303,
248/304, 339; 24/132 R
CPC A47G 25/00; A47G 1/00
See application file for complete search history.

(56) **References Cited**

U.S. PATENT DOCUMENTS

D461,705 S *	8/2002	Bentrim	D8/371
D535,179 S *	1/2007	Bryant	D8/367
D618,537 S *	6/2010	Panzer	D8/367
D646,557 S *	10/2011	Chan	D8/367
D682,464 S *	5/2013	Gary	D26/142
D700,044 S *	2/2014	Goodman	D8/367
D720,985 S *	1/2015	Veilleux	D8/367
D729,046 S *	5/2015	Paik	D8/367

* cited by examiner

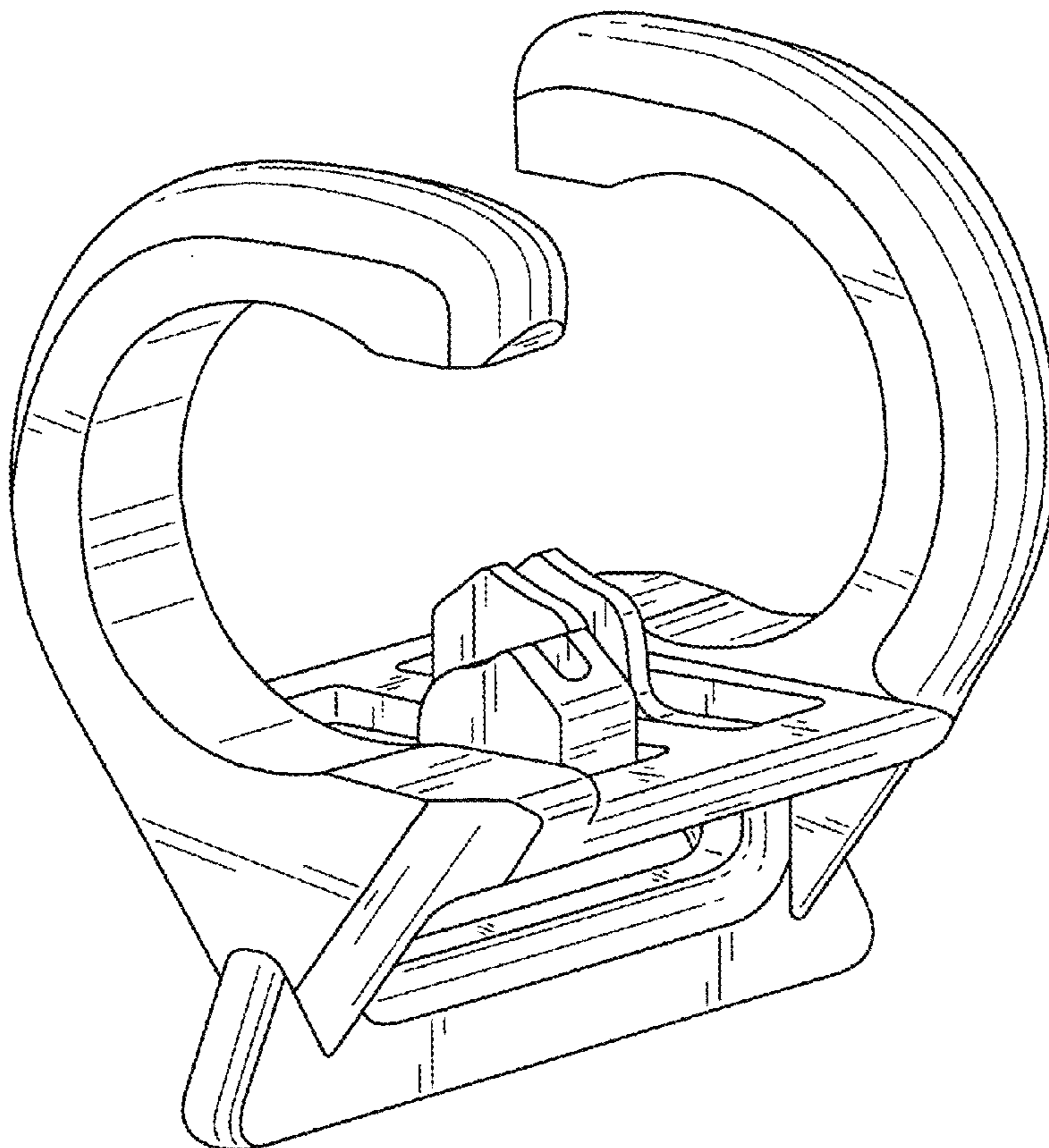
Primary Examiner — Cynthia Underwood
(74) *Attorney, Agent, or Firm* — Manabu Kanesaka

(57) **CLAIM**
The ornamental design for a hook, as shown and described.

DESCRIPTION

FIG. 1 is a perspective view of a hook showing my new design;
FIG. 2 is a front view thereof, a rear view being a mirror image to the front view thereof;
FIG. 3 is a right side view thereof, a left side view being a mirror image to the right side view thereof;
FIG. 4 is a plan view thereof;
FIG. 5 is a bottom view thereof; and,
FIG. 6 is a cross-sectional view thereof along the line 6-6 in FIG. 2.

1 Claim, 6 Drawing Sheets



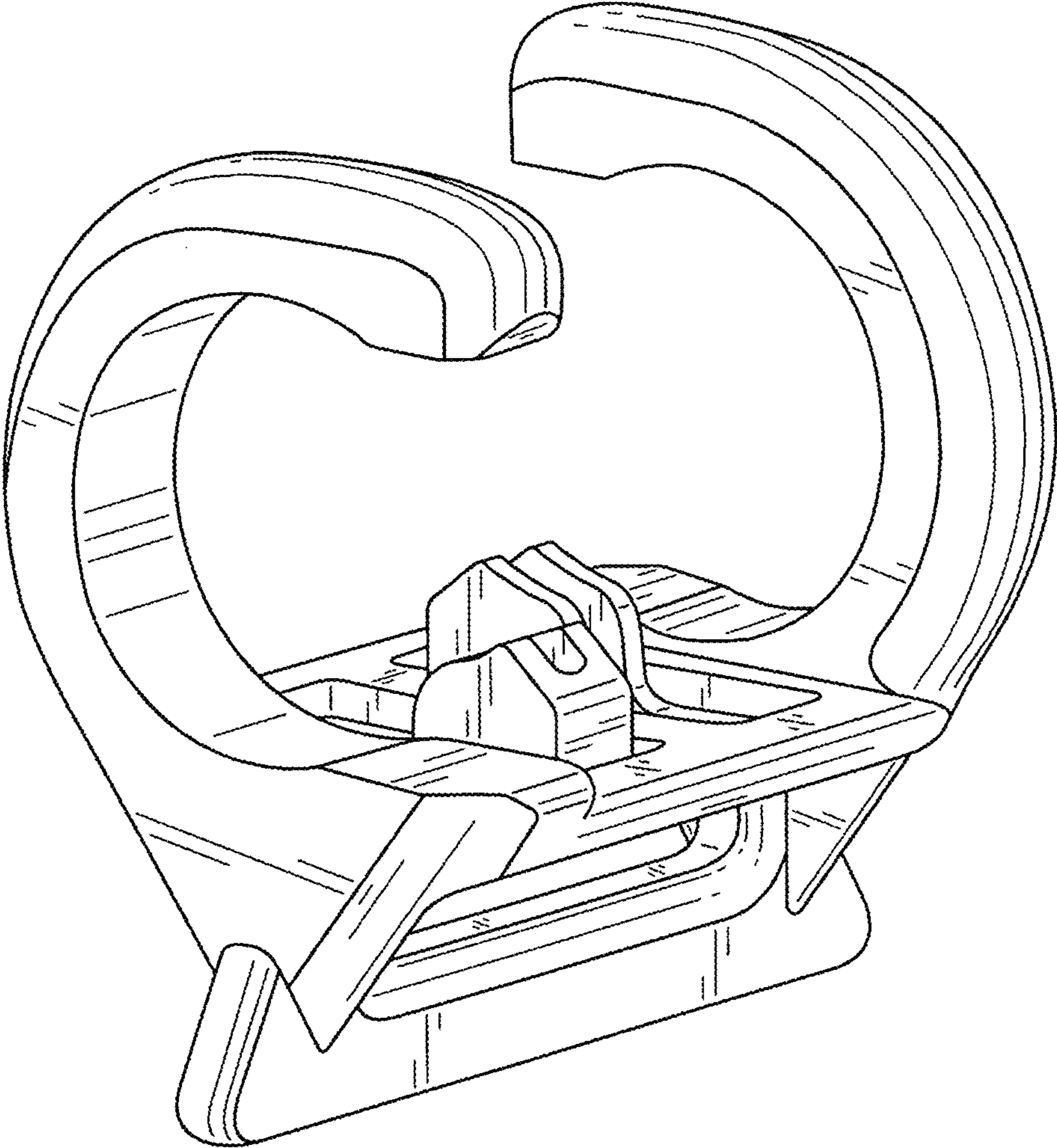


FIG. 1

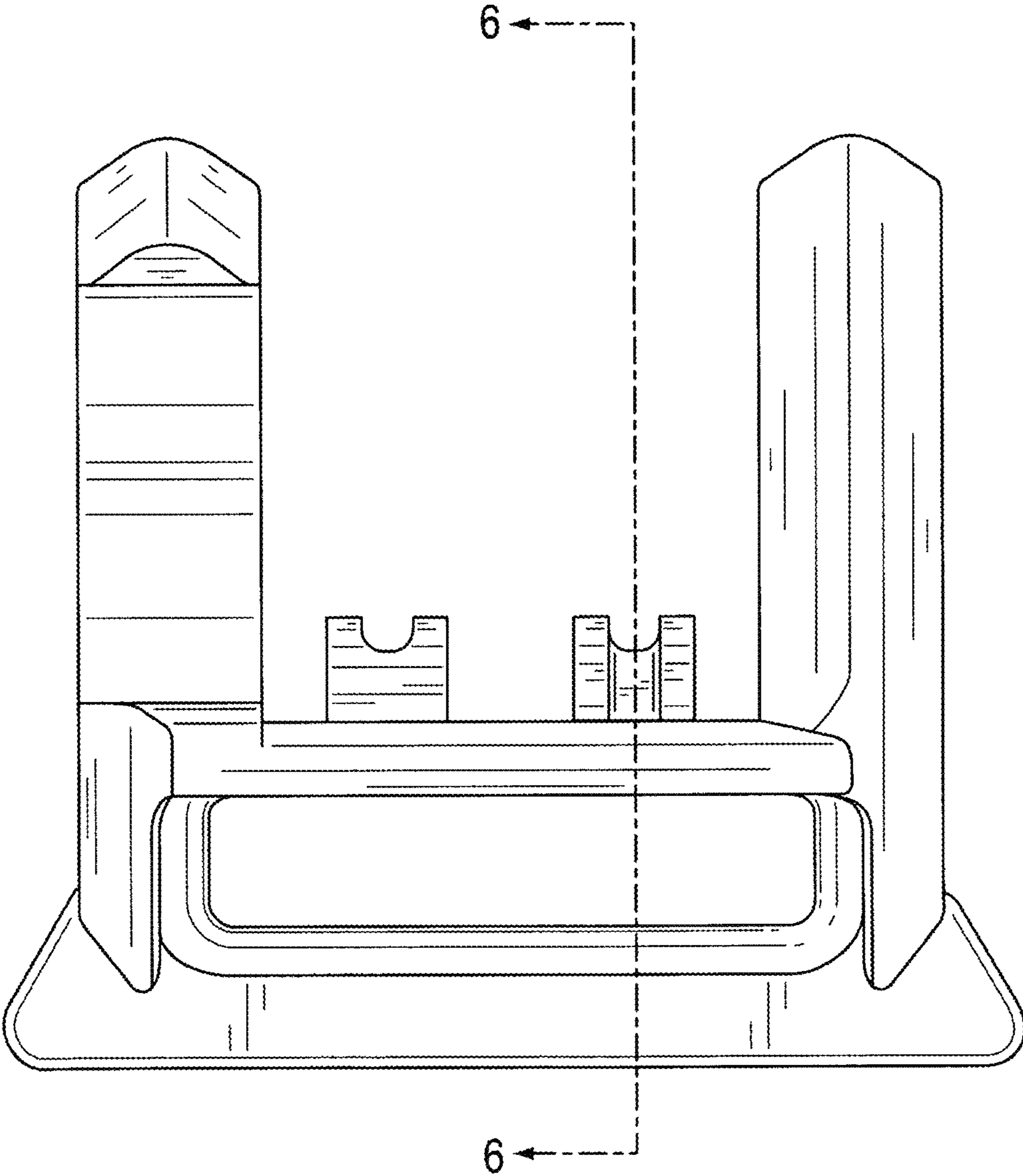


FIG. 2

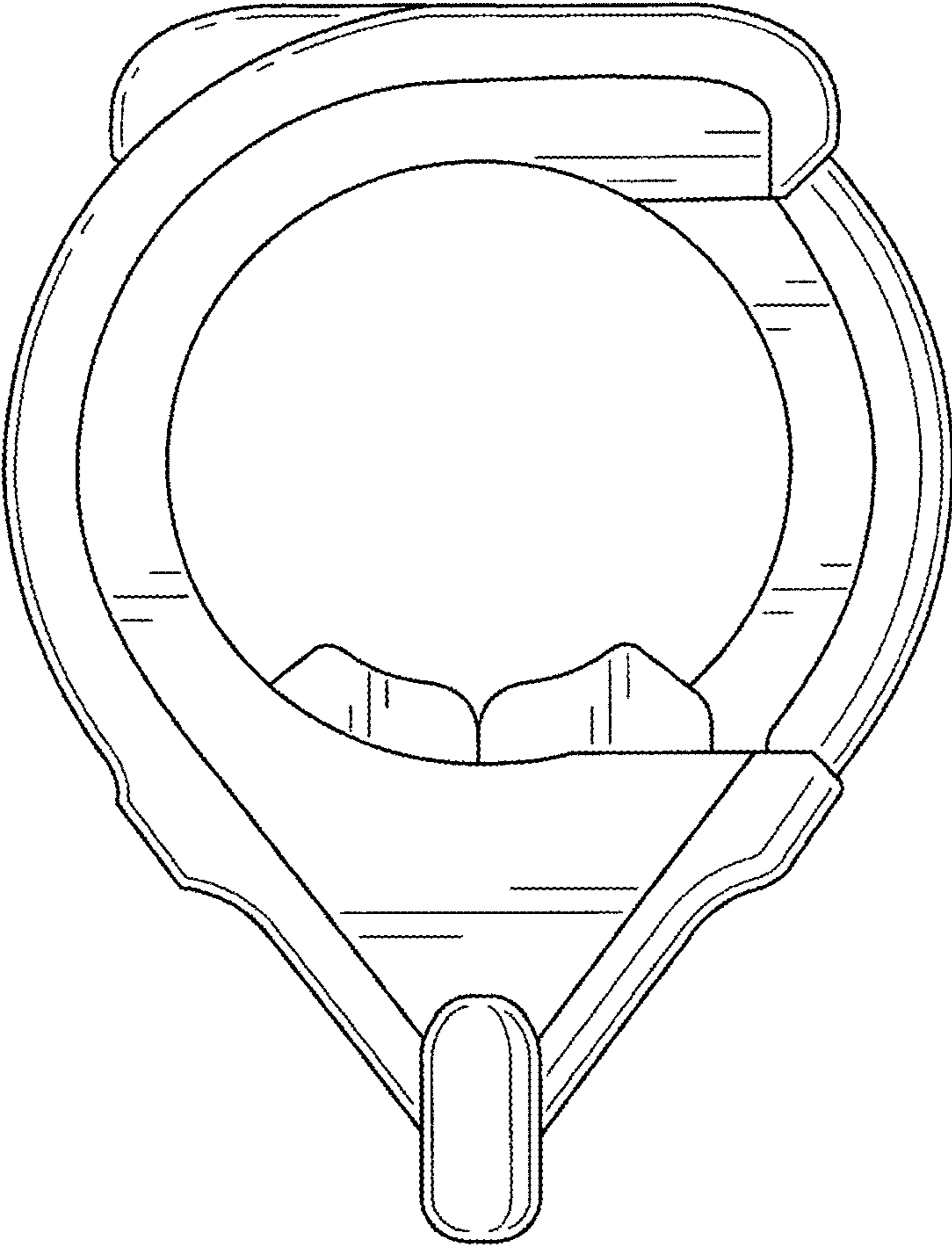


FIG. 3

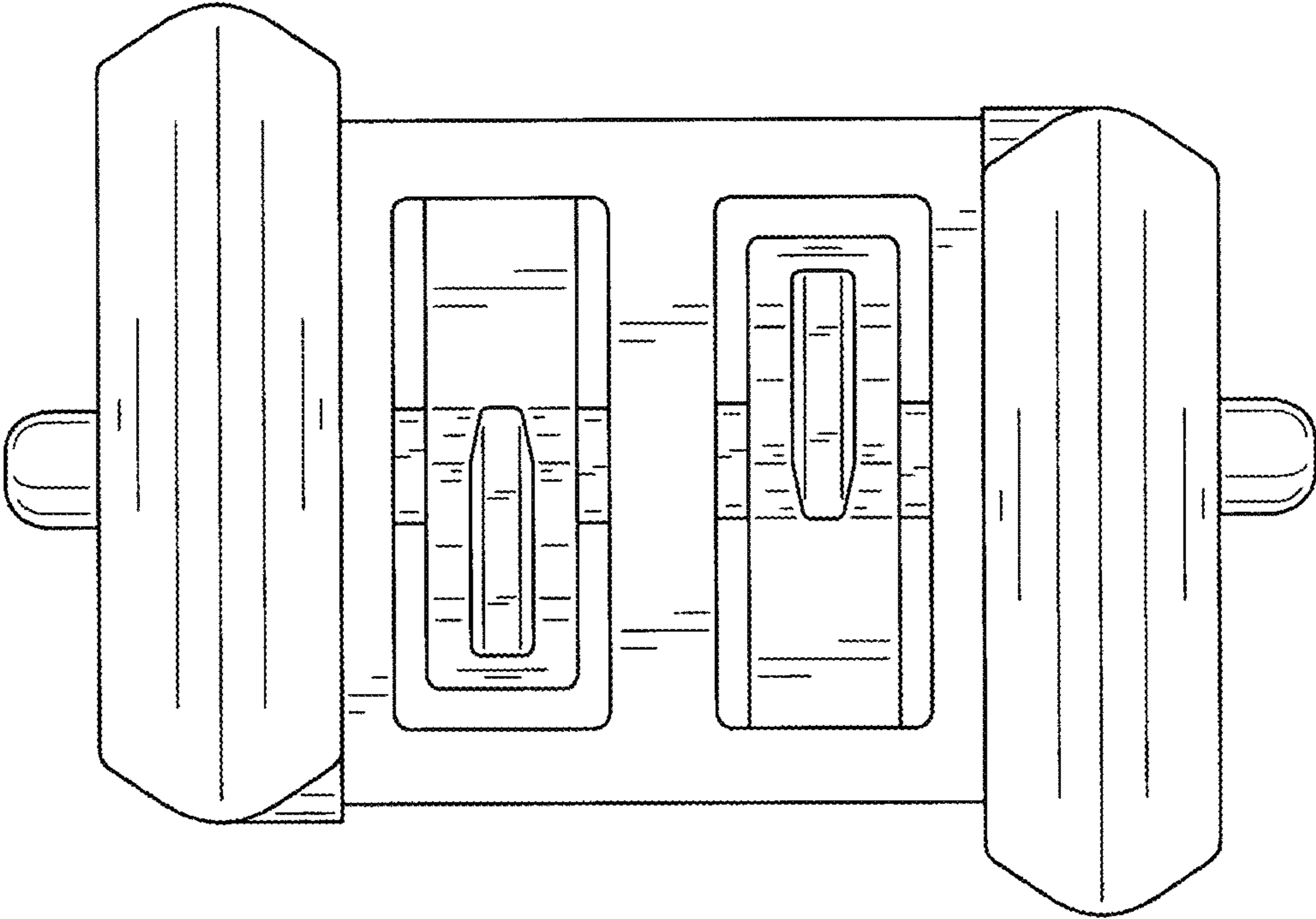


FIG. 4

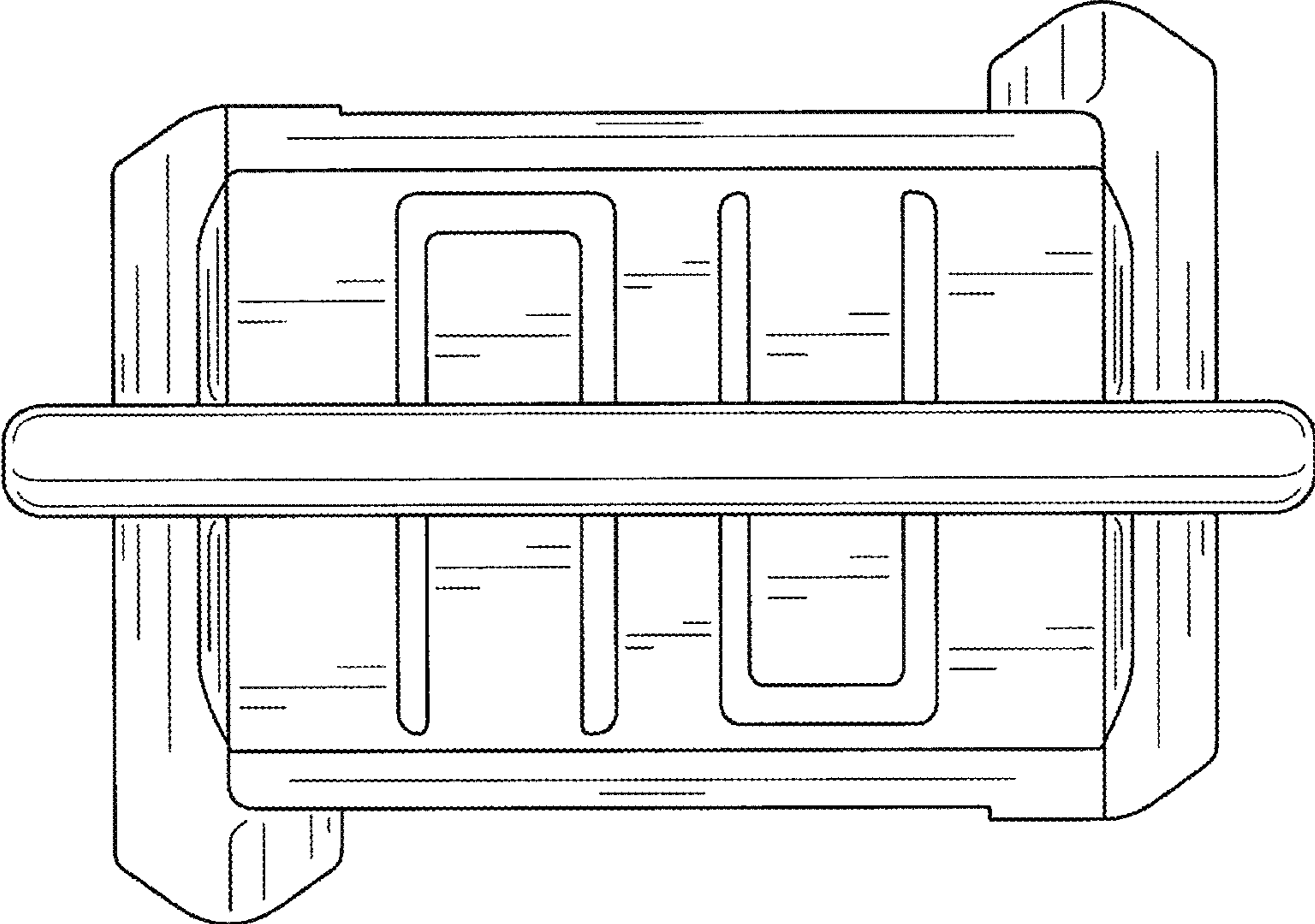


FIG. 5

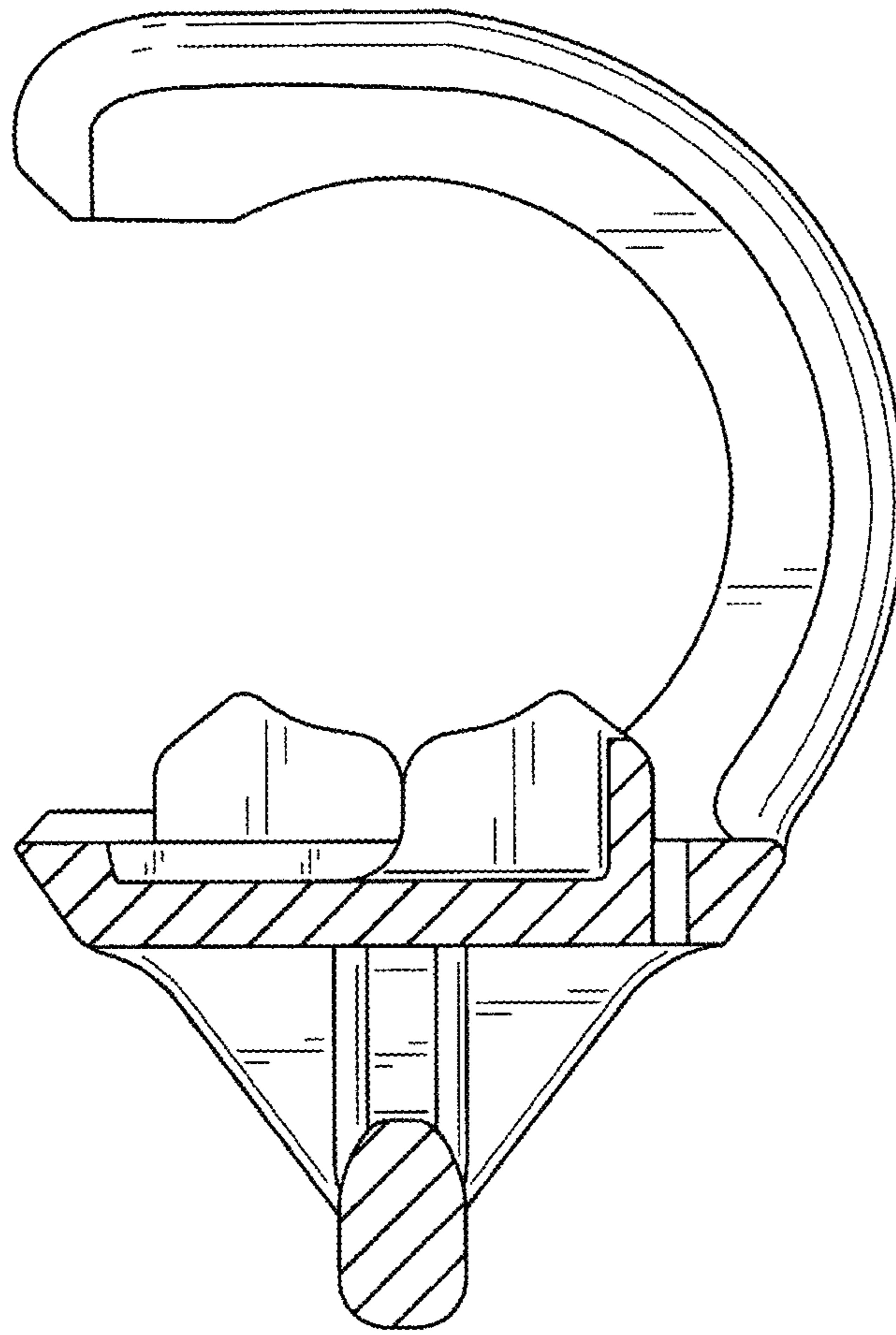


FIG. 6