



US00D756752S

(12) **United States Design Patent**
Dentener et al.

(10) **Patent No.:** **US D756,752 S**
(45) **Date of Patent:** **** May 24, 2016**

- (54) **CABLE HOLDER**
- (71) Applicant: **Kevin Paul Dentener**, Cape Town (ZA)
- (72) Inventors: **Kevin Paul Dentener**, Cape Town (ZA);
Mark Stephen Brumage, Cape Town (ZA)
- (73) Assignee: **Kevin Paul Dentener**, Cape Town (ZA)
- (**) Term: **14 Years**
- (21) Appl. No.: **29/501,839**
- (22) Filed: **Sep. 9, 2014**
- (51) **LOC (10) Cl.** **08-05**
- (52) **U.S. Cl.**
USPC **D8/356**
- (58) **Field of Classification Search**
USPC D8/356, 354, 349; 220/575;
206/521.15; 24/302, 16 R, 306, 17 R;
439/501; 381/374; D14/217, 205
CPC A63B 27/00
See application file for complete search history.

D630,931 S *	1/2011	Beusch	D8/356
D667,719 S *	9/2012	Wong	D8/356
8,458,951 B2 *	6/2013	Taylor	A01K 97/06 43/54.1
D686,906 S *	7/2013	Vick	D8/356
D689,303 S *	9/2013	Davison	D6/580
D691,874 S *	10/2013	Ganski	D8/356
D691,875 S *	10/2013	Ganski	D8/356
D691,877 S *	10/2013	Ganski	D8/356
D691,878 S *	10/2013	Ganski	D8/356
D703,027 S *	4/2014	Vick	D8/356
8,764,360 B2 *	7/2014	Vick	F16B 2/20 24/198
D717,347 S *	11/2014	Hatcher	D15/66
D719,439 S *	12/2014	Nelson	D8/394
D731,296 S *	6/2015	Nelson et al.	D8/356
D737,044 S *	8/2015	Hayakawa	D3/18
D737,797 S *	9/2015	Roggenkamp	D14/205

* cited by examiner

Primary Examiner — Cynthia Underwood
(74) *Attorney, Agent, or Firm* — The Webb Law Firm

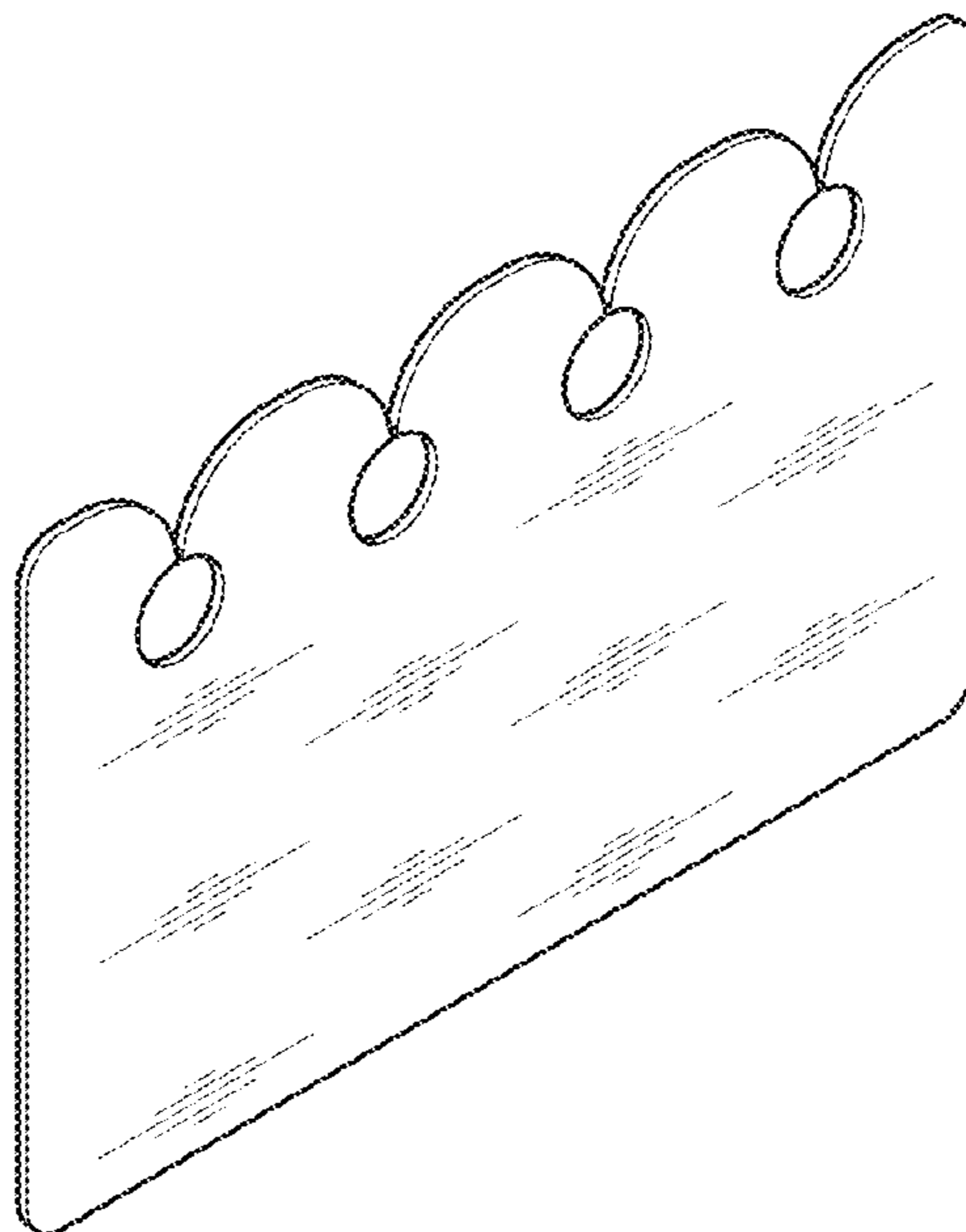
(57) **CLAIM**
The ornamental design for a cable holder, as shown and described.

DESCRIPTION

FIG. 1 is an upper left front perspective view of a cable holder showing our new design in accordance with a first embodiment of the present invention;
FIG. 2 is a left side view thereof;
FIG. 3 is a front view thereof;
FIG. 4 is a top view thereof;
FIG. 5 is a rear view thereof;
FIG. 6 is a right side view thereof; and,
FIG. 7 is a bottom view thereof.

1 Claim, 1 Drawing Sheet

- (56) **References Cited**
U.S. PATENT DOCUMENTS
- 278,097 A * 5/1883 Collins F16G 11/14
24/129 B
- 2,385,197 A * 9/1945 Eisel G09B 25/00
242/388.1
- 3,054,277 A * 9/1962 Broschard D04B 3/00
242/157 R
- D284,299 S * 6/1986 Auerbach D22/143
- D347,989 S * 6/1994 DeWard D3/23
- D372,188 S * 7/1996 Van Dyke D8/358
- D576,867 S * 9/2008 Kretz D8/356



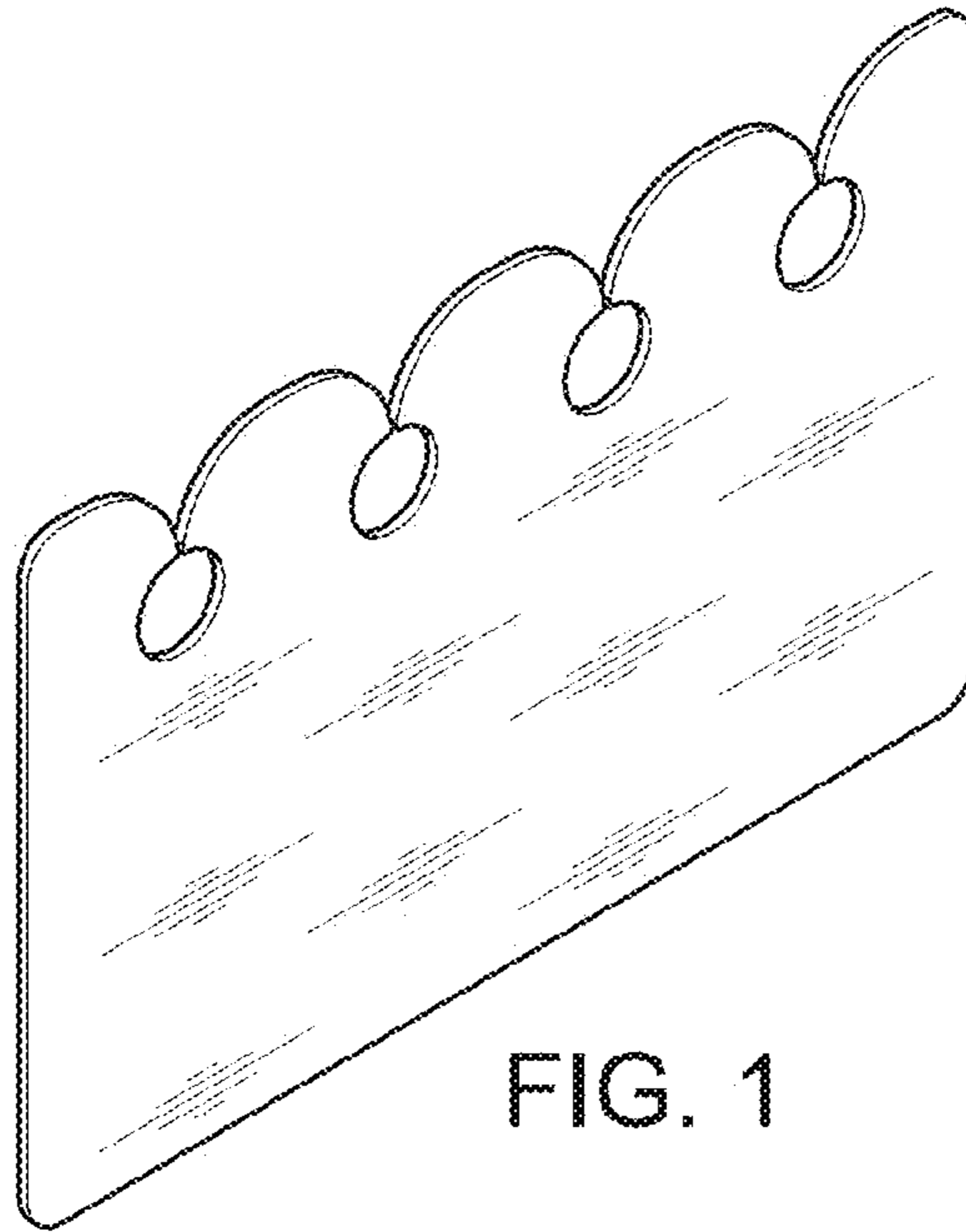


FIG. 1



FIG. 2

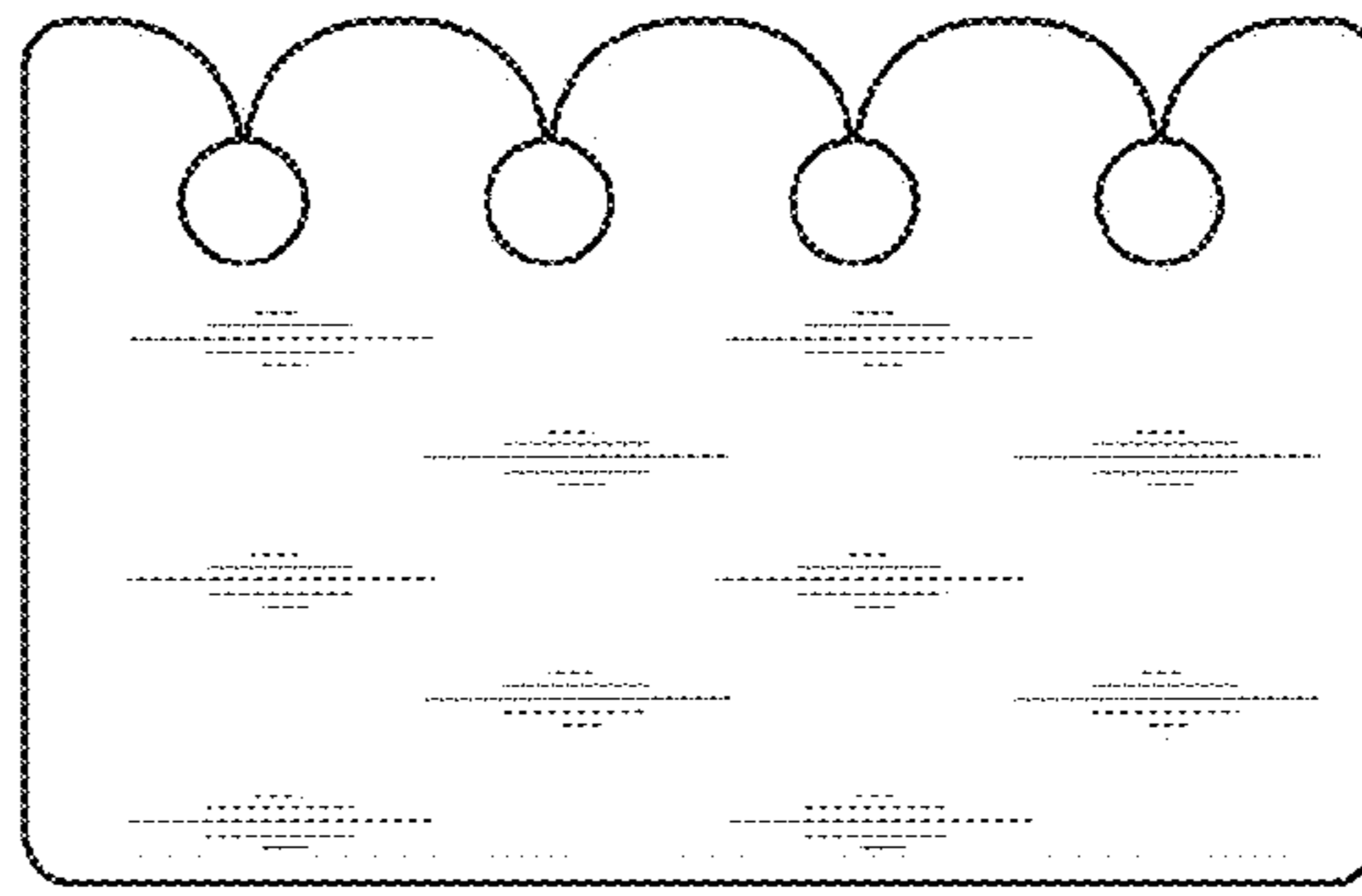


FIG. 3



FIG. 4

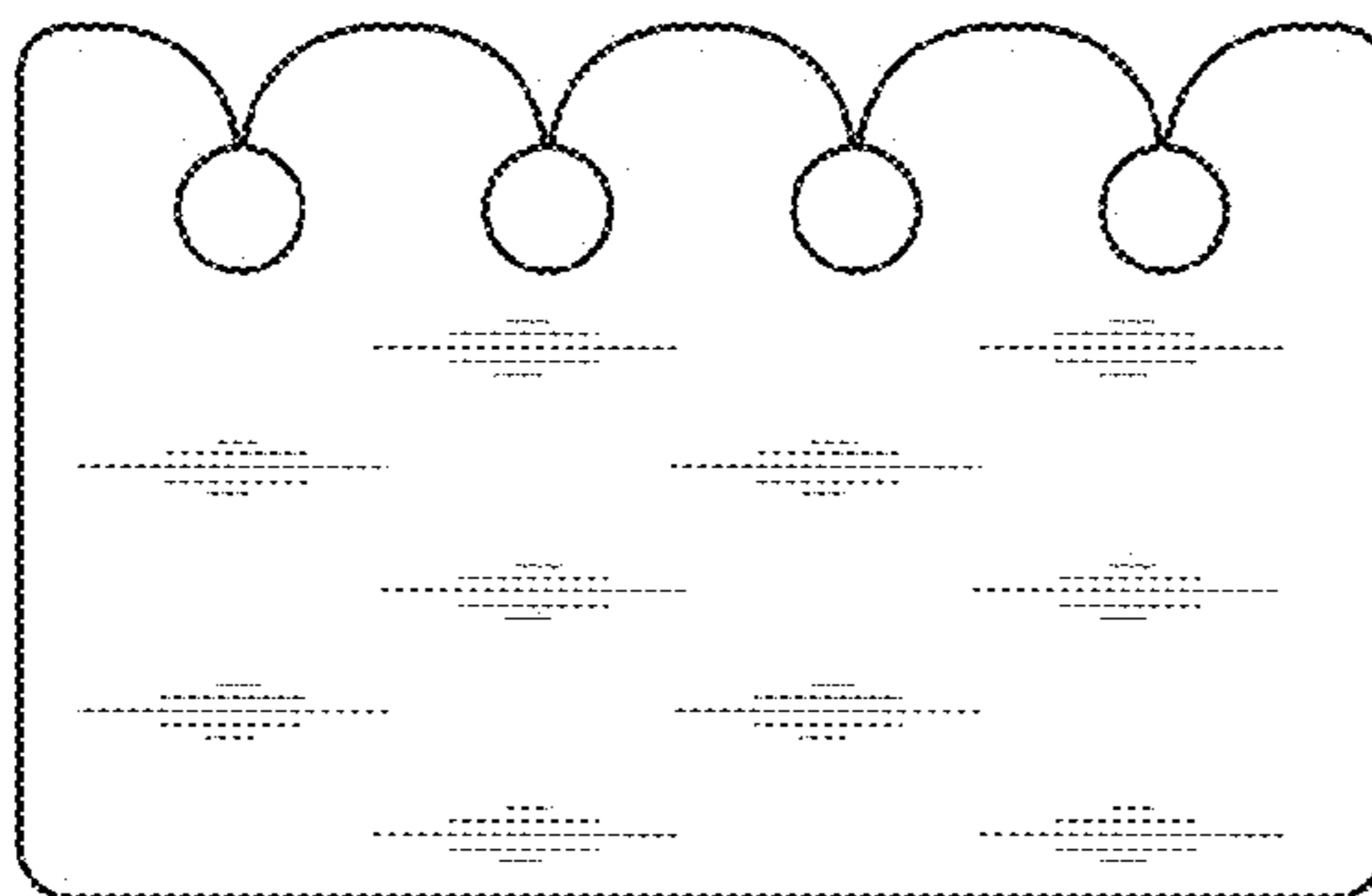


FIG. 5



FIG. 6



FIG. 7