



US00D756749S

(12) **United States Design Patent**
Lu et al.

(10) **Patent No.:** **US D756,749 S**
(45) **Date of Patent:** **** May 24, 2016**

(54) **ESCUTCHEON**

(71) Applicant: **TAIWAN FU HSING INDUSTRIAL CO., LTD.**, Kaohsiung (TW)

(72) Inventors: **Shih-Min Lu**, Kaohsiung (TW);
Fu-Chih Huang, Kaohsiung (TW)

(73) Assignee: **TAIWAN FU HSING INDUSTRIAL CO., LTD.**, Gangshan District, Kaohsiung (TW)

(**) Term: **15 Years**

(21) Appl. No.: **29/528,016**

(22) Filed: **May 25, 2015**

(30) **Foreign Application Priority Data**

Apr. 20, 2015 (TW) 104302013

(51) **LOC (10) Cl.** **11-05**

(52) **U.S. Cl.**
USPC **D8/353**; D8/331

(58) **Field of Classification Search**

USPC D8/330, 331, 334, 300, 301, 302,
D8/350-353; 70/14, 20-22, 57, 57.1,
70/284-286, 314, DIG. 44; 340/5.21, 5.54,
340/5.65, 5.73, 5.81, 5.85
CPC E05C 9/004; E05B 9/002; E05B 9/00;
E05B 9/02; E05B 37/00; E05B 1/00; E05B
3/00; E05B 47/00; E05B 47/06; E05B 49/00;
E05B 15/02; E05B 15/00; E05B 13/103;
Y10T 70/8324; Y10T 70/8459; Y10T
70/8514; Y10T 70/8568

See application file for complete search history.

(56) **References Cited**

U.S. PATENT DOCUMENTS

D705,037 S 5/2014 Yang
D729,610 S 5/2015 Gao

FOREIGN PATENT DOCUMENTS

TW D151430 1/2013
TW D163629 10/2014

Primary Examiner — Mark Goodwin

(74) *Attorney, Agent, or Firm* — Winston Hsu; Scott Margo

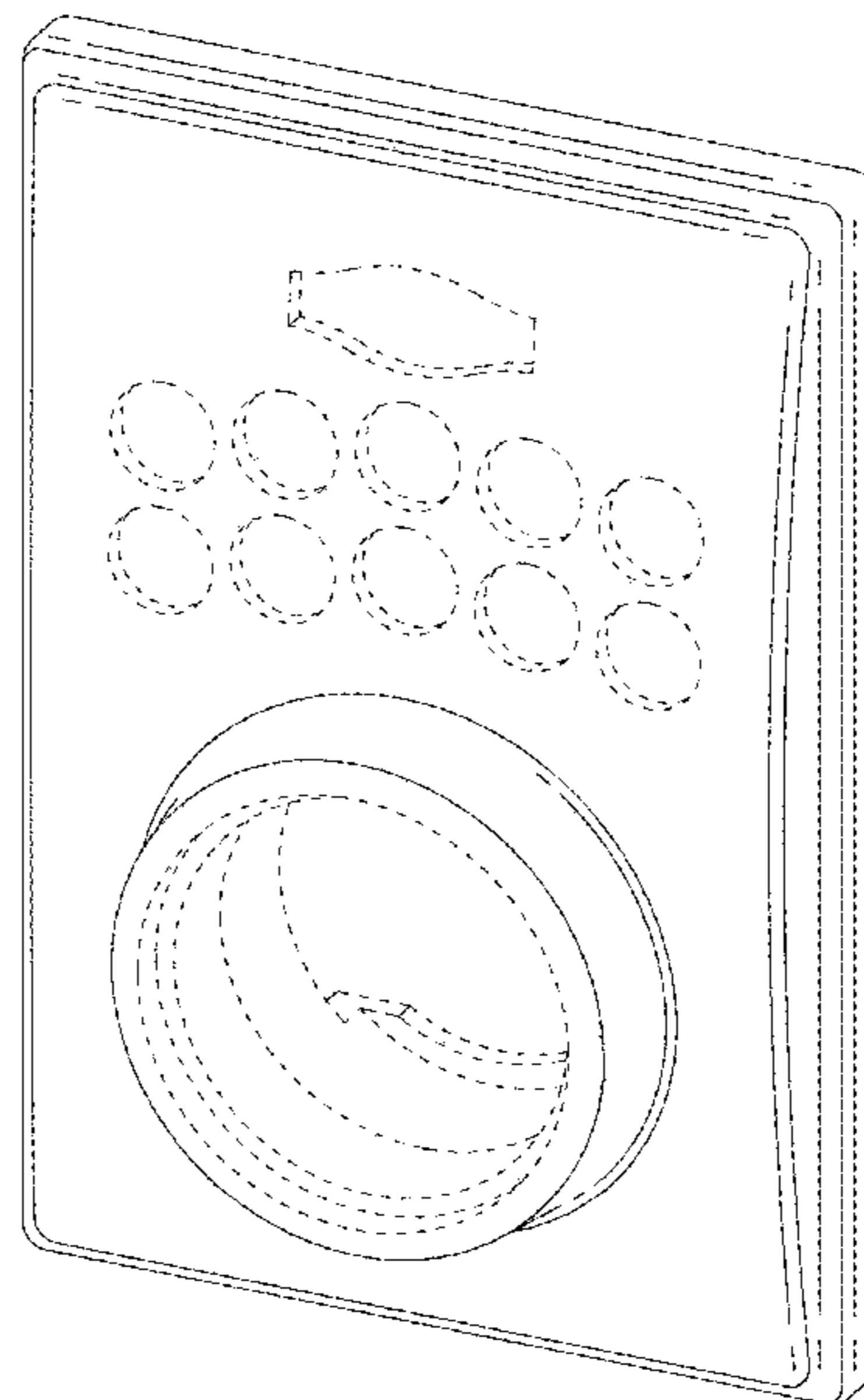
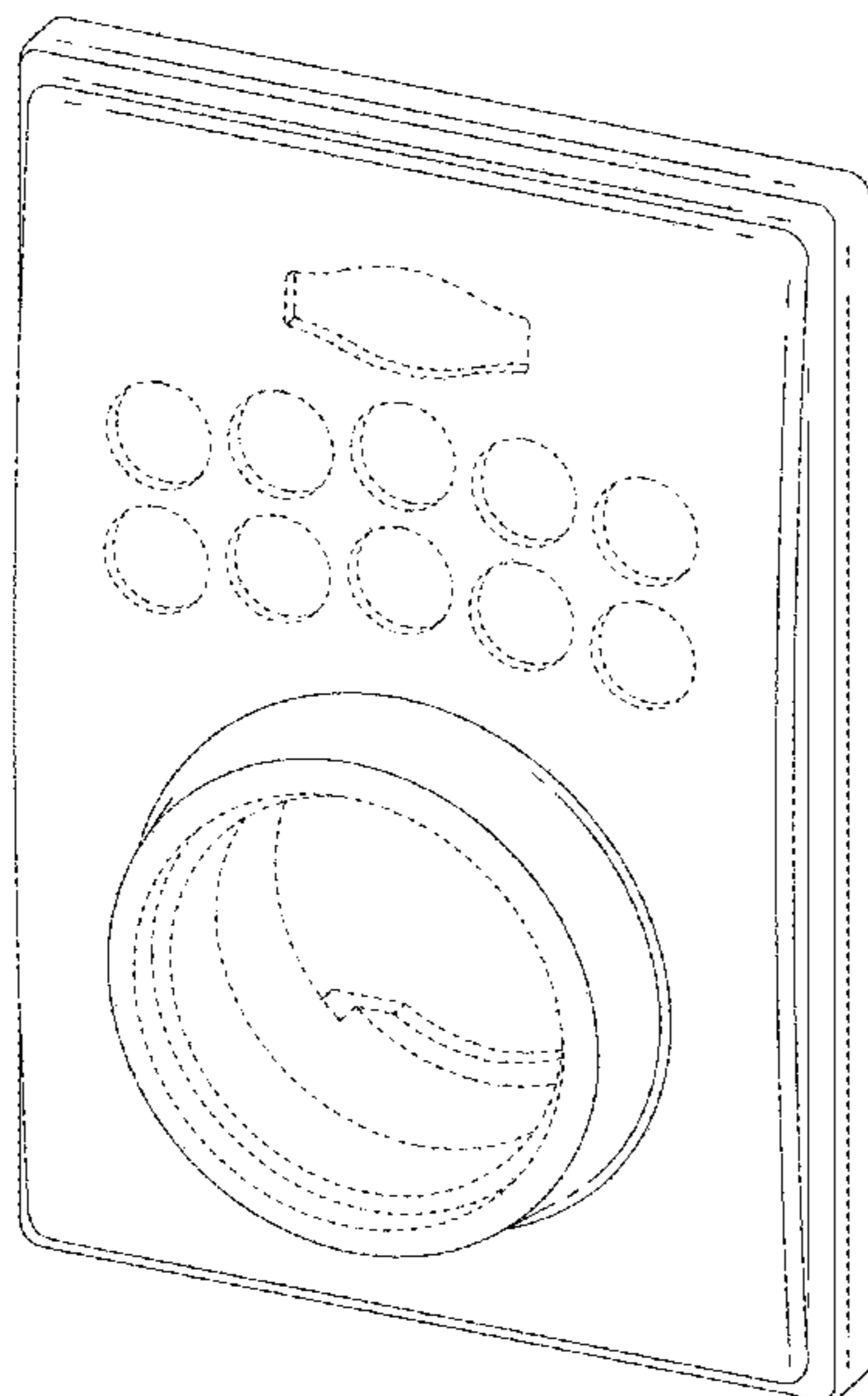
(57) **CLAIM**

The ornamental design for an escutcheon, as shown and described.

DESCRIPTION

FIG. 1 is a front perspective view of a first embodiment of an escutcheon showing our new design;
FIG. 2 is a front elevational view thereof;
FIG. 3 is a rear elevational view thereof;
FIG. 4 is a left side elevational view thereof;
FIG. 5 is a right side elevational view thereof;
FIG. 6 is a top plan view thereof;
FIG. 7 is a bottom plan view thereof;
FIG. 8 is a front perspective view of a second embodiment of an escutcheon showing our new design;
FIG. 9 is a front elevational view thereof;
FIG. 10 is a rear elevational view thereof;
FIG. 11 is a left side elevational view thereof;
FIG. 12 is a right side elevational view thereof;
FIG. 13 is a top plan view thereof; and,
FIG. 14 is a bottom plan view thereof.
The broken lines are for illustrative purposes only and form no part of the claimed design.

1 Claim, 14 Drawing Sheets



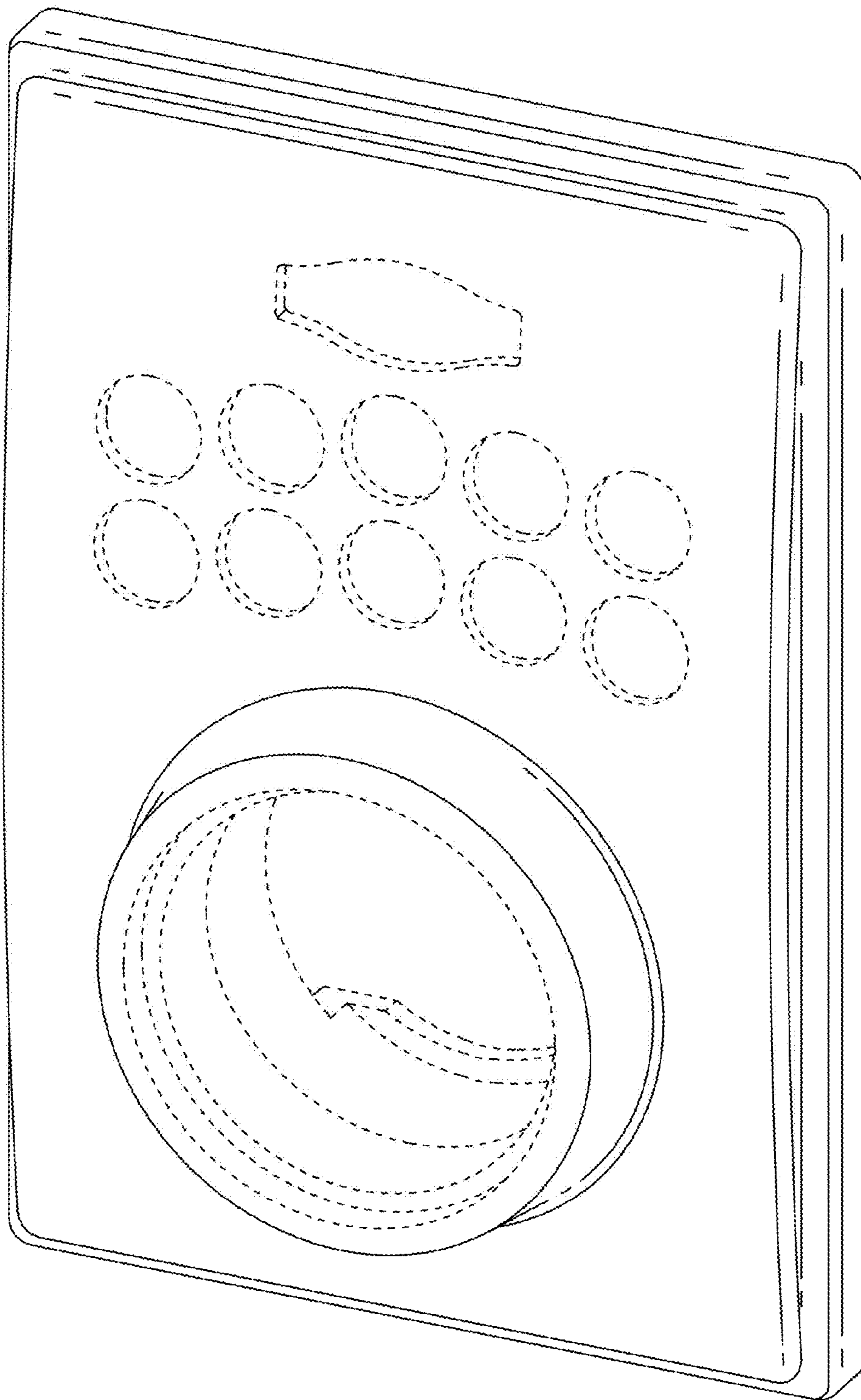


FIG. 1

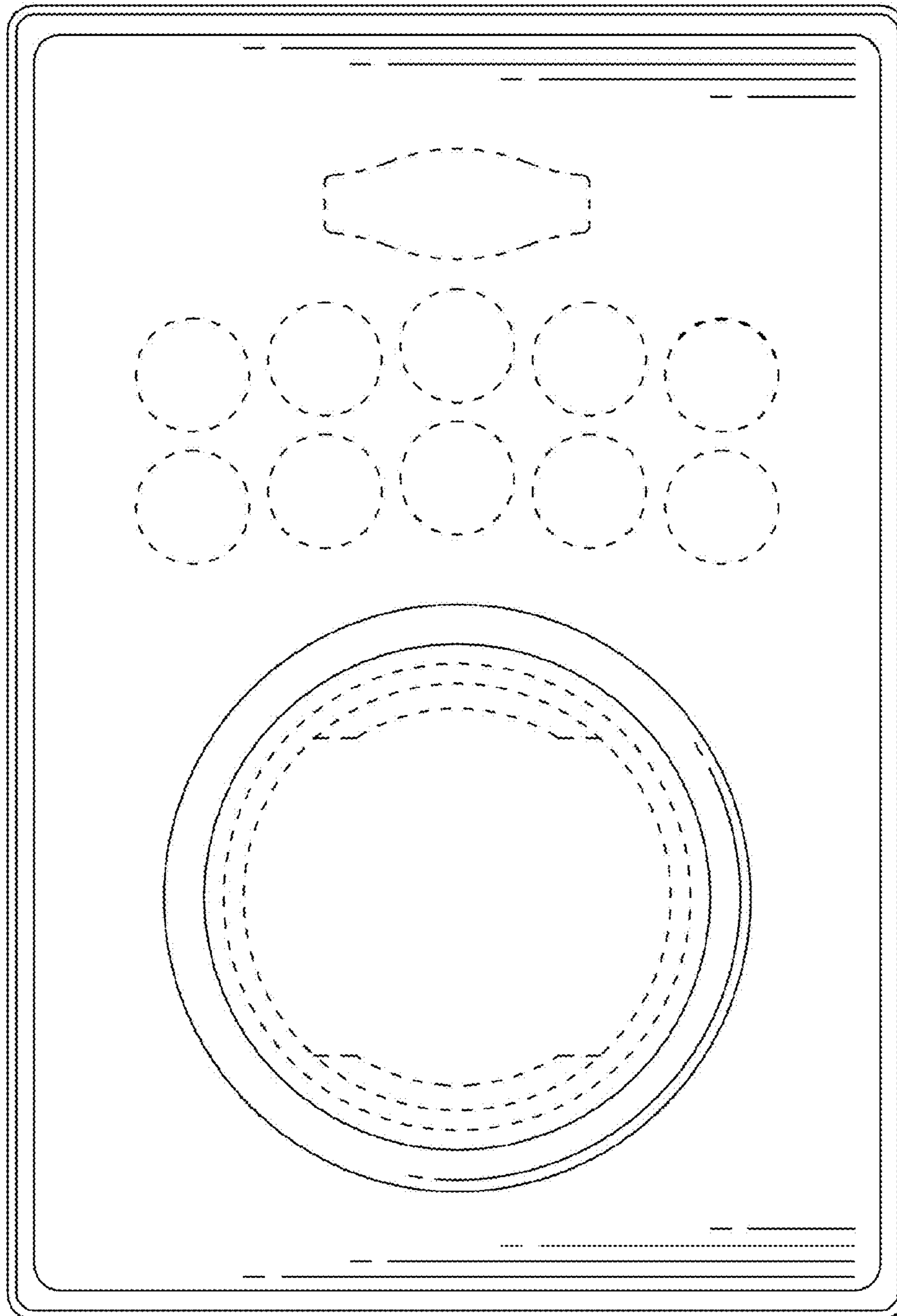


FIG. 2

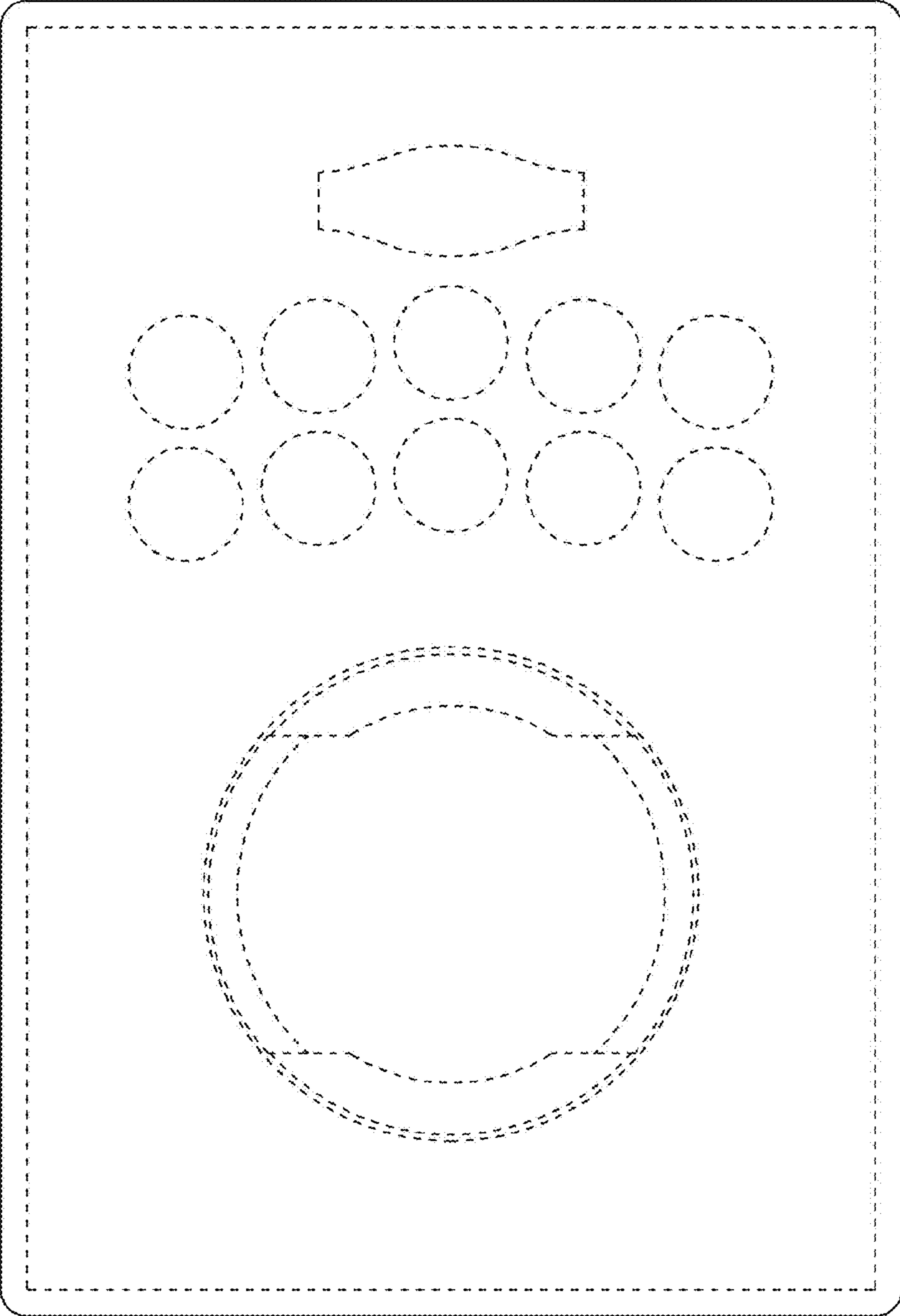


FIG. 3

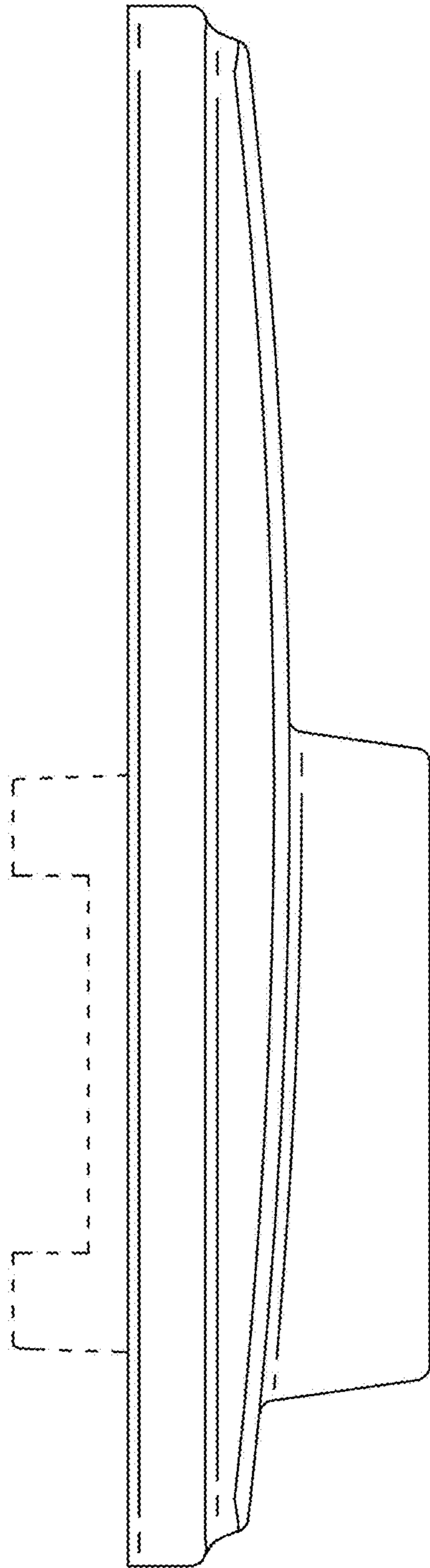


FIG. 4

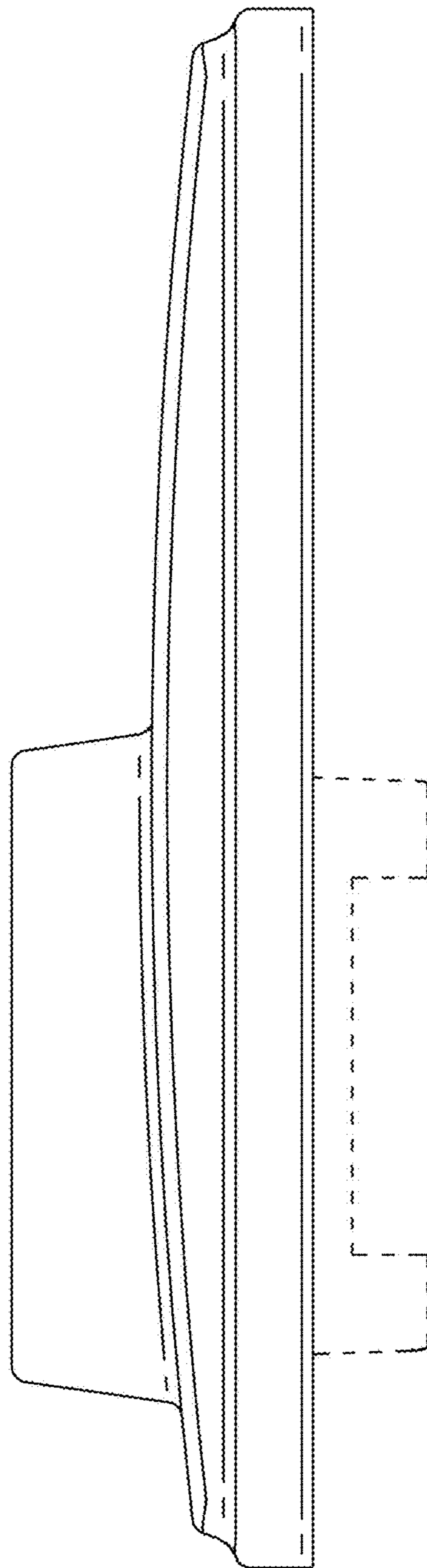


FIG. 5

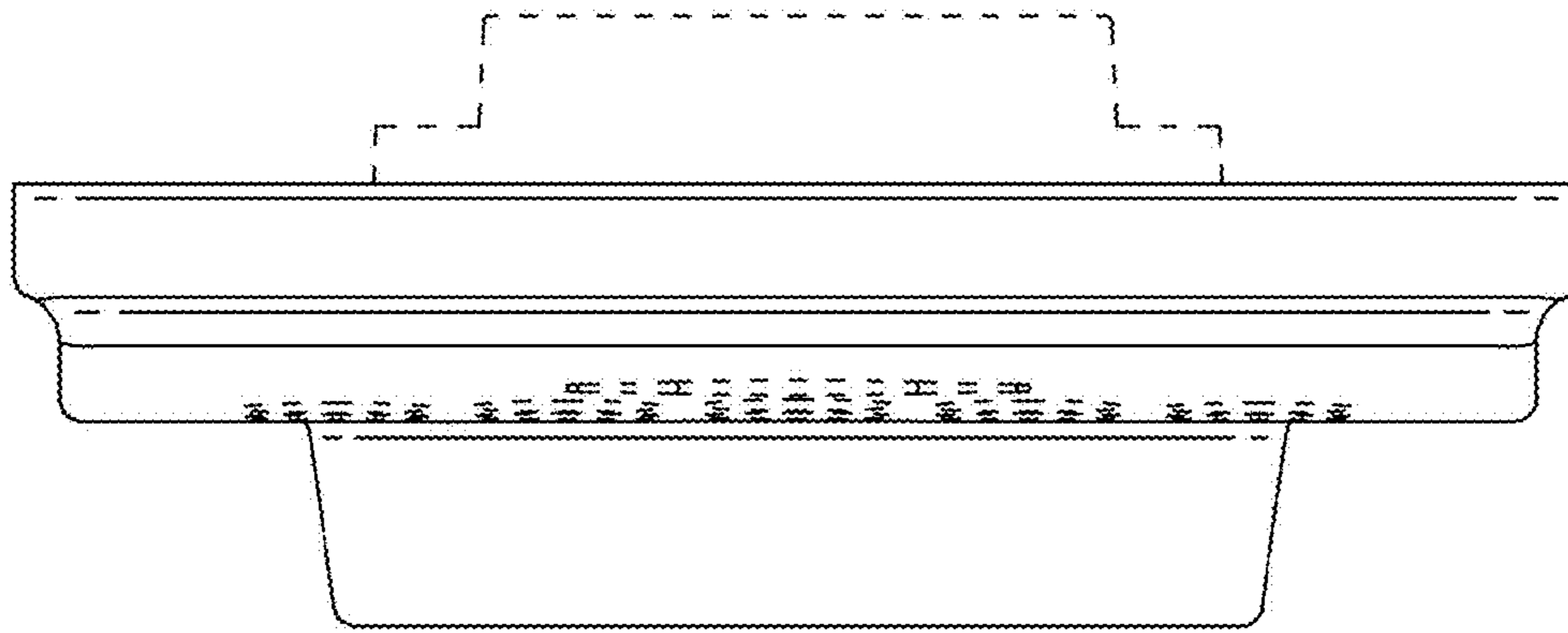


FIG. 6

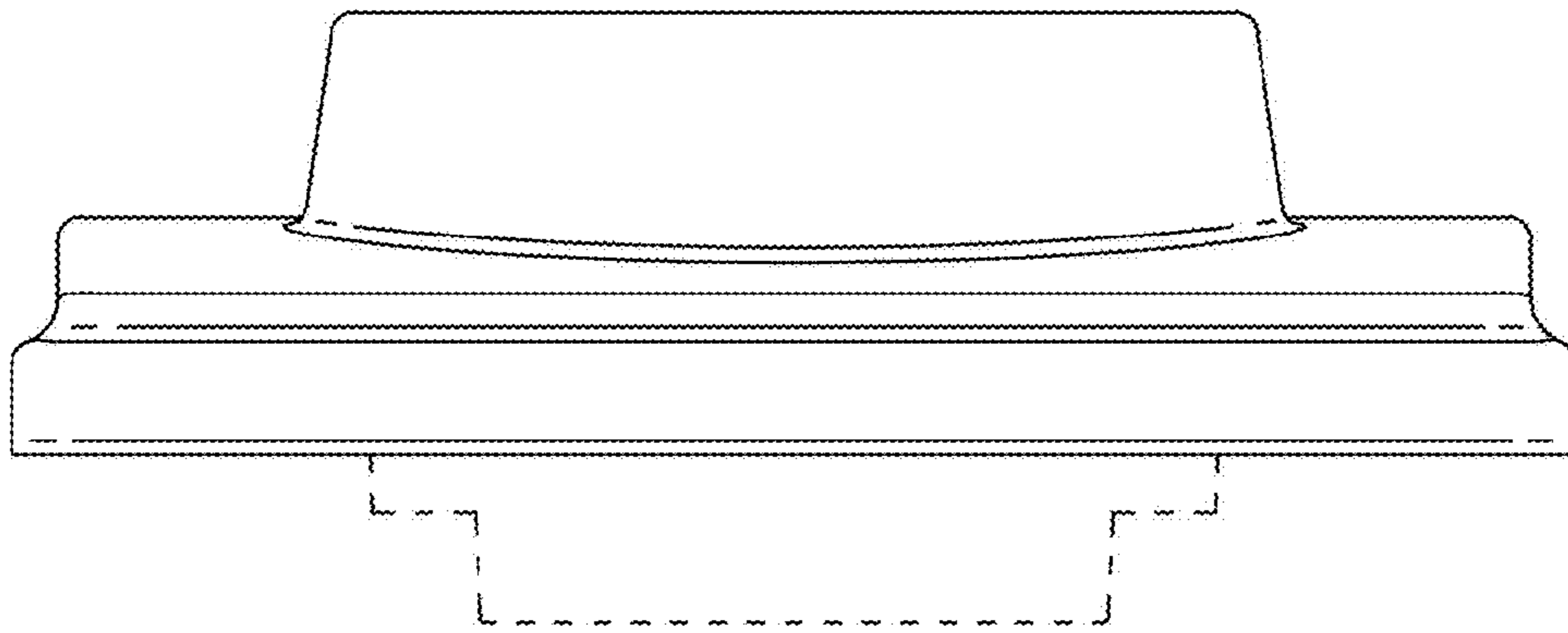


FIG. 7

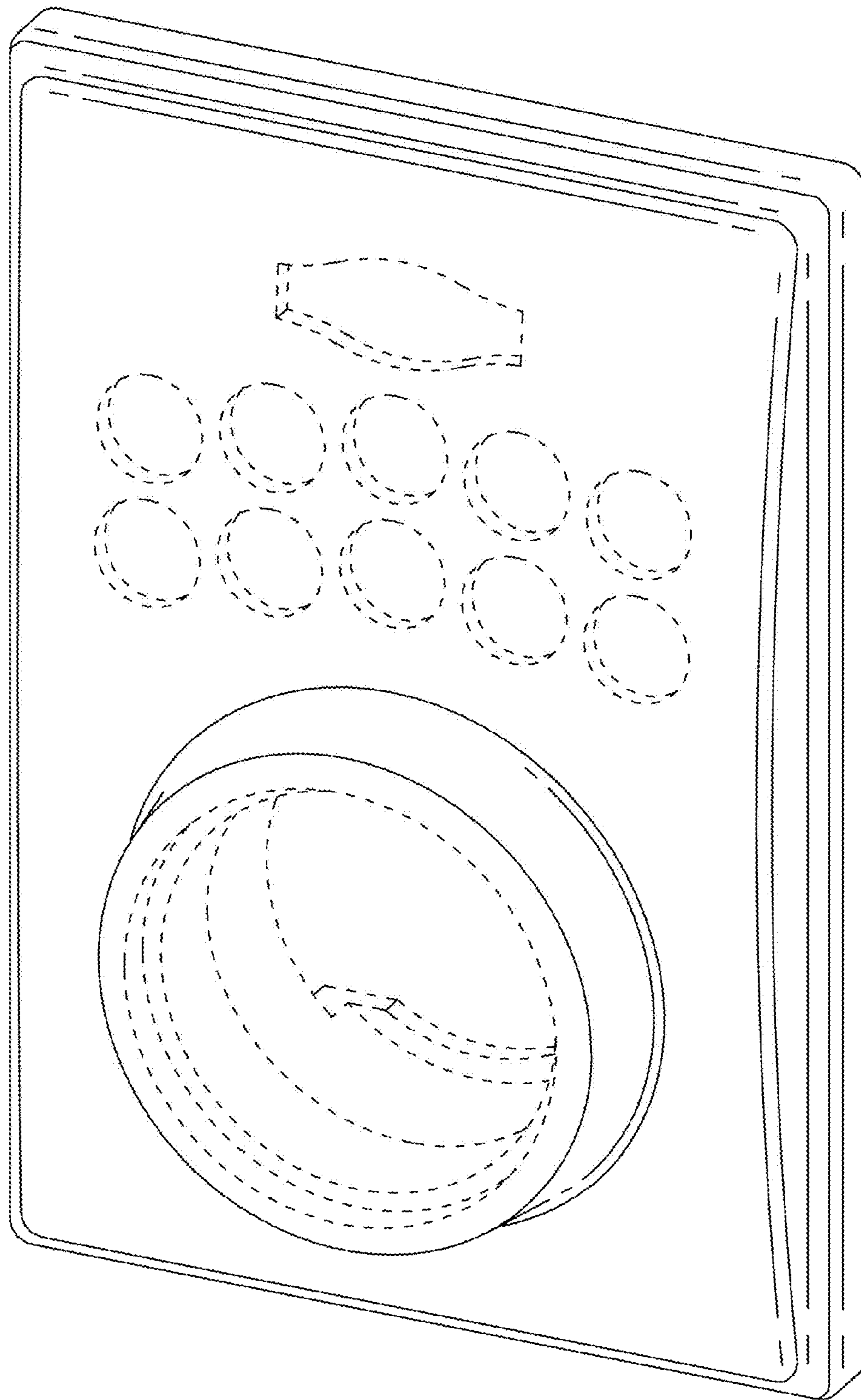


FIG. 8

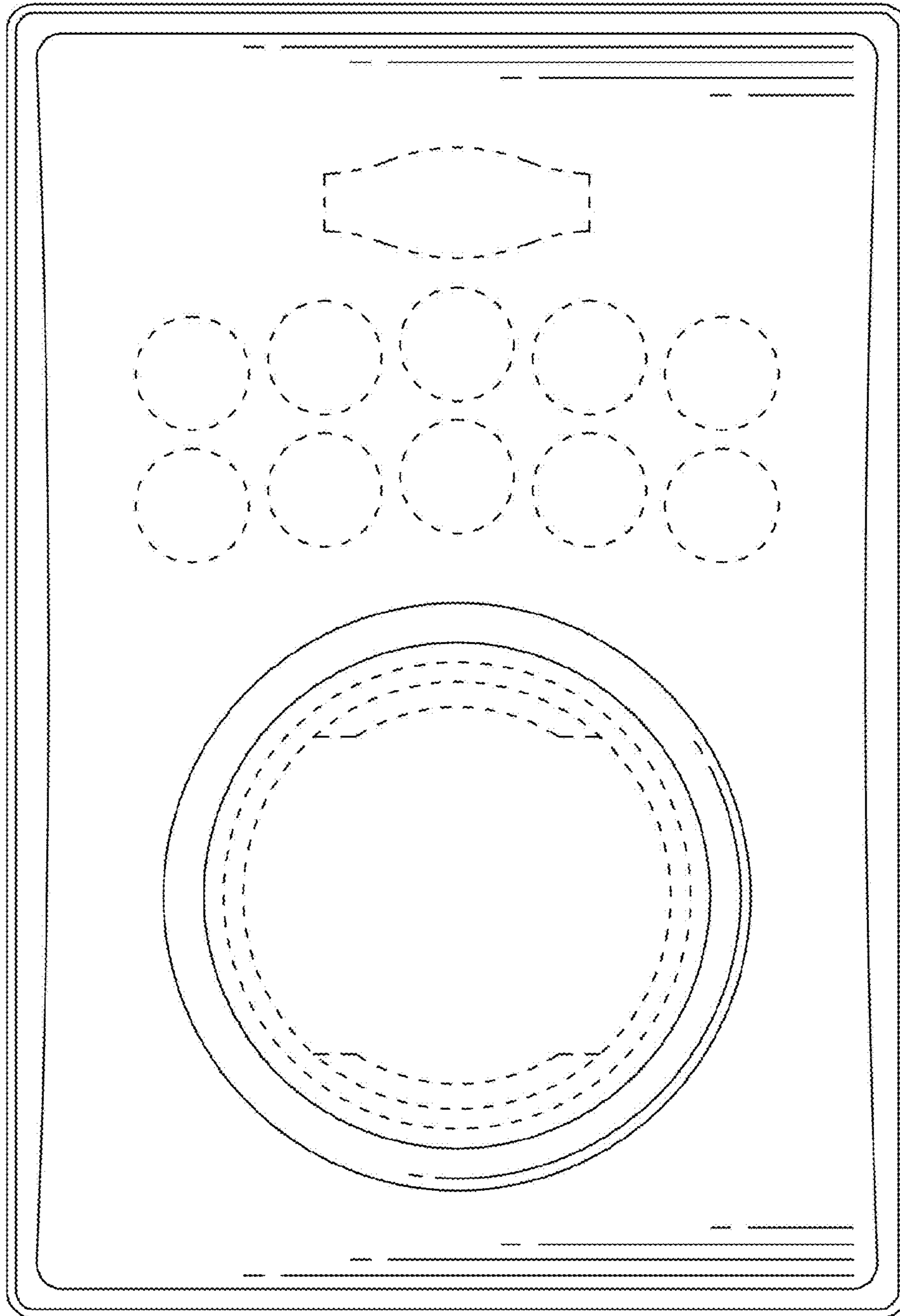


FIG. 9

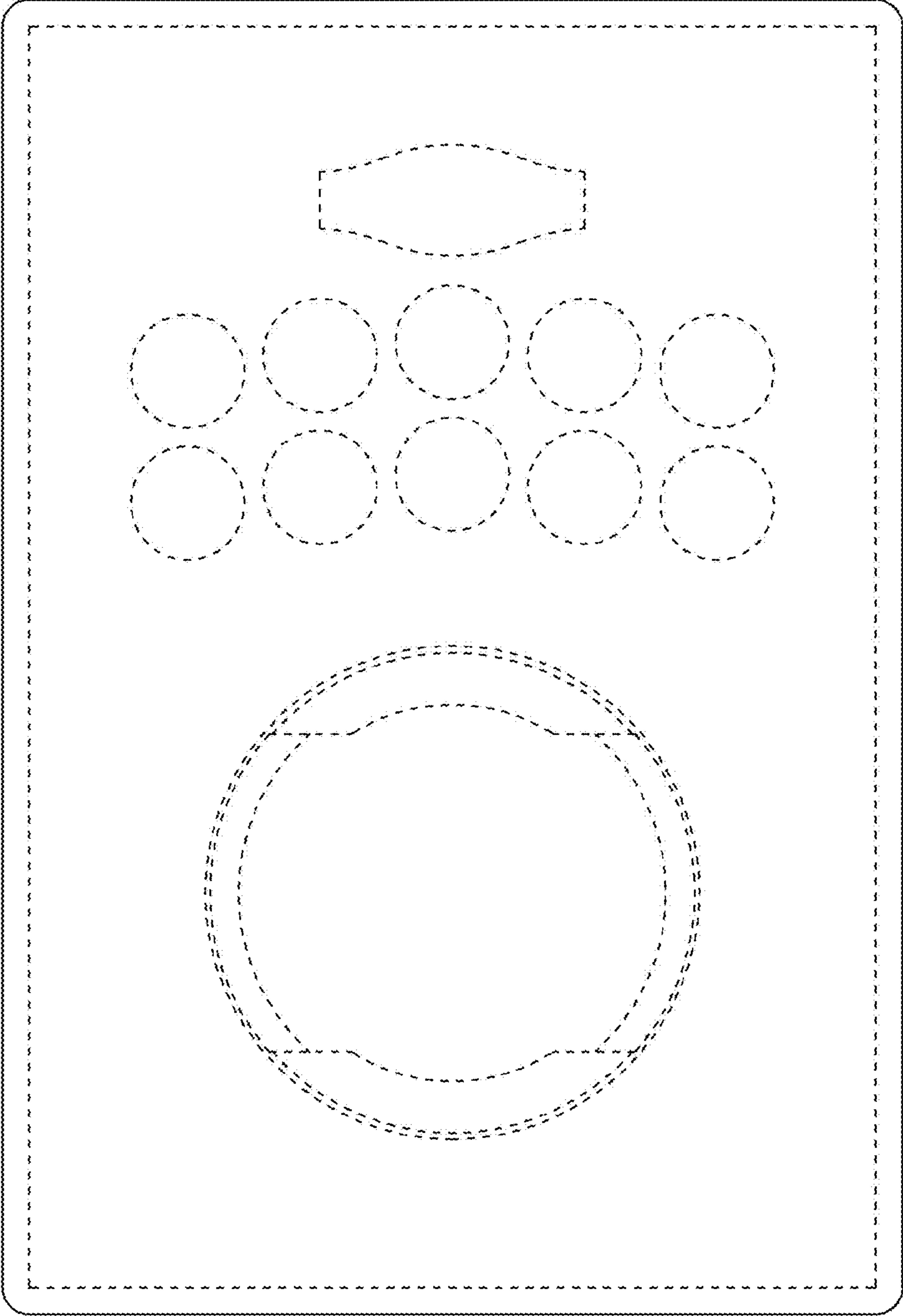


FIG. 10

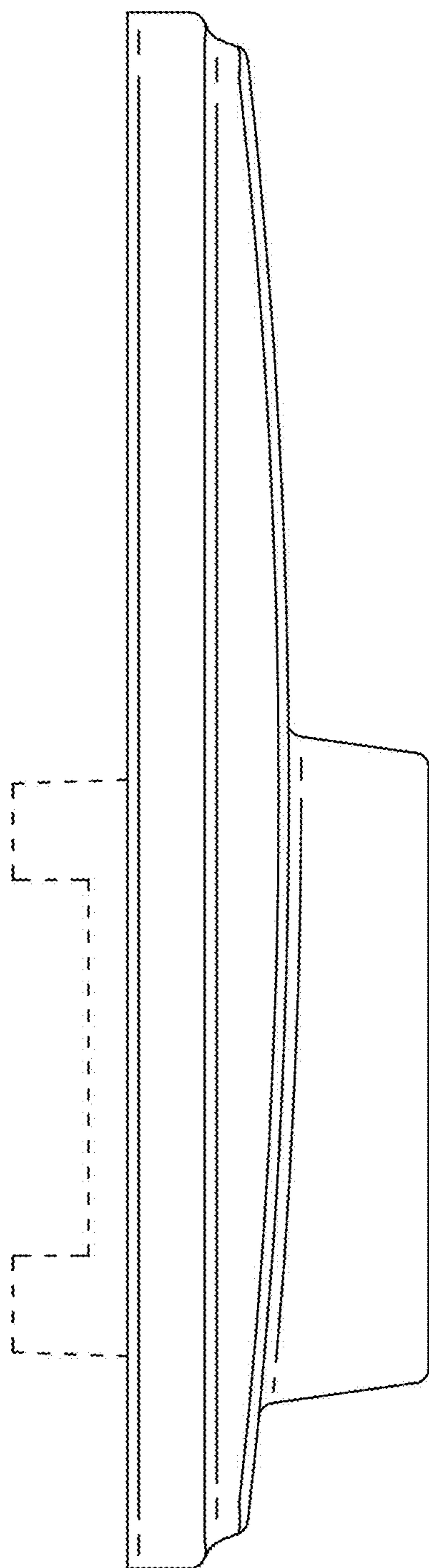


FIG. 11

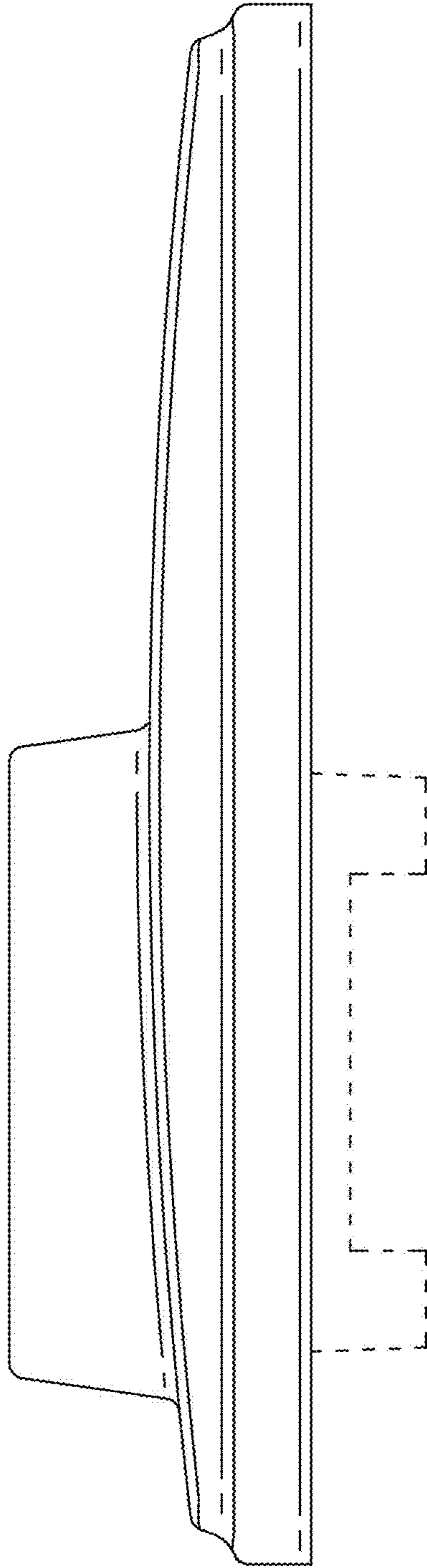


FIG. 12

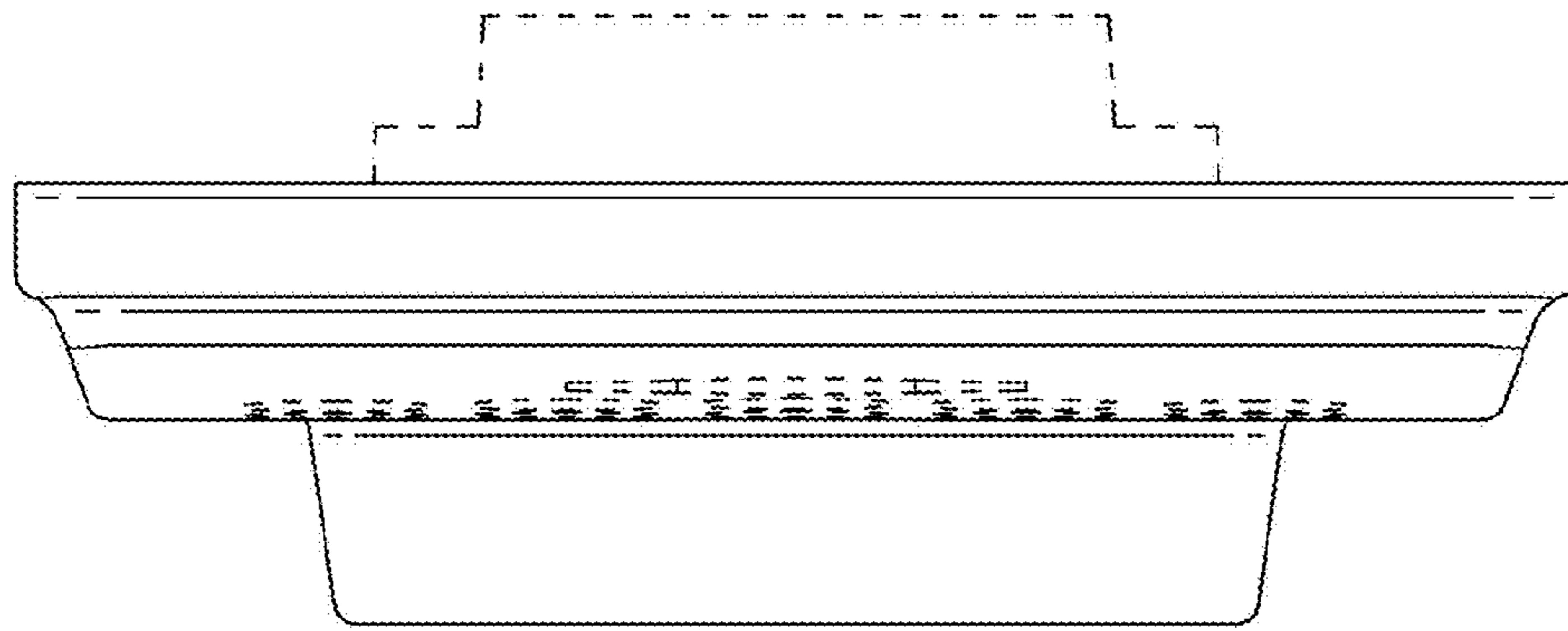


FIG. 13

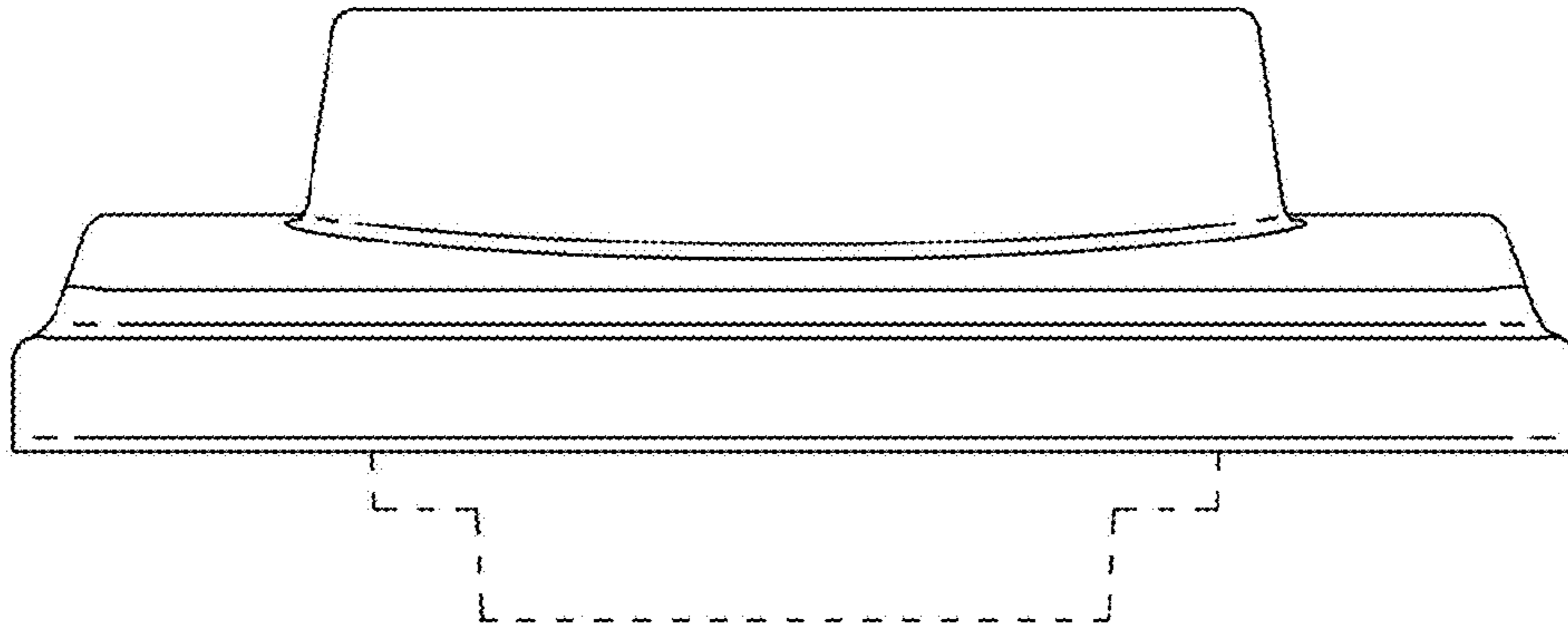


FIG. 14