

US00D756746S

(12) **United States Design Patent**  
**Liang et al.**

(10) **Patent No.:** **US D756,746 S**  
(45) **Date of Patent:** **\*\* May 24, 2016**

(54) **SASH LOCK AND KEEPER**

(56) **References Cited**

(71) Applicant: **Vision Industries Group, Inc., So.**  
Plainfield, NJ (US)

U.S. PATENT DOCUMENTS

(72) Inventors: **Luke Liang**, South Plainfield, NJ (US);  
**Tong Liang**, Guangzhou (CN); **David Chen**, Guangzhou (CN)

6,913,297	B2 *	7/2005	Jackson et al. ....	292/196
6,973,810	B2 *	12/2005	Chen .....	70/208
D514,139	S *	1/2006	Ertz et al. ....	D15/89
7,013,689	B2 *	3/2006	Graham et al. ....	70/208
D584,595	S *	1/2009	Gray .....	D8/331
7,497,488	B2 *	3/2009	Chen .....	292/216
D700,824	S *	3/2014	Arthurs et al. ....	D8/331
D706,110	S *	6/2014	Williams .....	D8/331
D715,130	S *	10/2014	Sayegh et al. ....	D8/331

(73) Assignee: **Vision Industries Group, INC., So.**  
Plainfield, NJ (US)

(\*\*) Term: **14 Years**

\* cited by examiner

(21) Appl. No.: **29/513,946**

*Primary Examiner* — Prabhakar Deshmukh

(22) Filed: **Jan. 7, 2015**

(74) *Attorney, Agent, or Firm* — Thomas A. O'Rourke;  
Bodner & O'Rourke, LLP

**Related U.S. Application Data**

(62) Division of application No. 29/470,044, filed on Oct. 17, 2013, now Pat. No. Des. 730,713.

(51) **LOC (10) Cl.** ..... **08-07**

(52) **U.S. Cl.**  
USPC ..... **D8/331**

(58) **Field of Classification Search**  
USPC ..... D8/330, 331, 343, 339, 349, 341;  
70/107-111, 114, 118, 141, 488, 162;  
292/2, 32, 63, 137, 174  
CPC ..... E05C 1/06; E05C 1/10; E05C 1/08;  
E05C 3/14

See application file for complete search history.

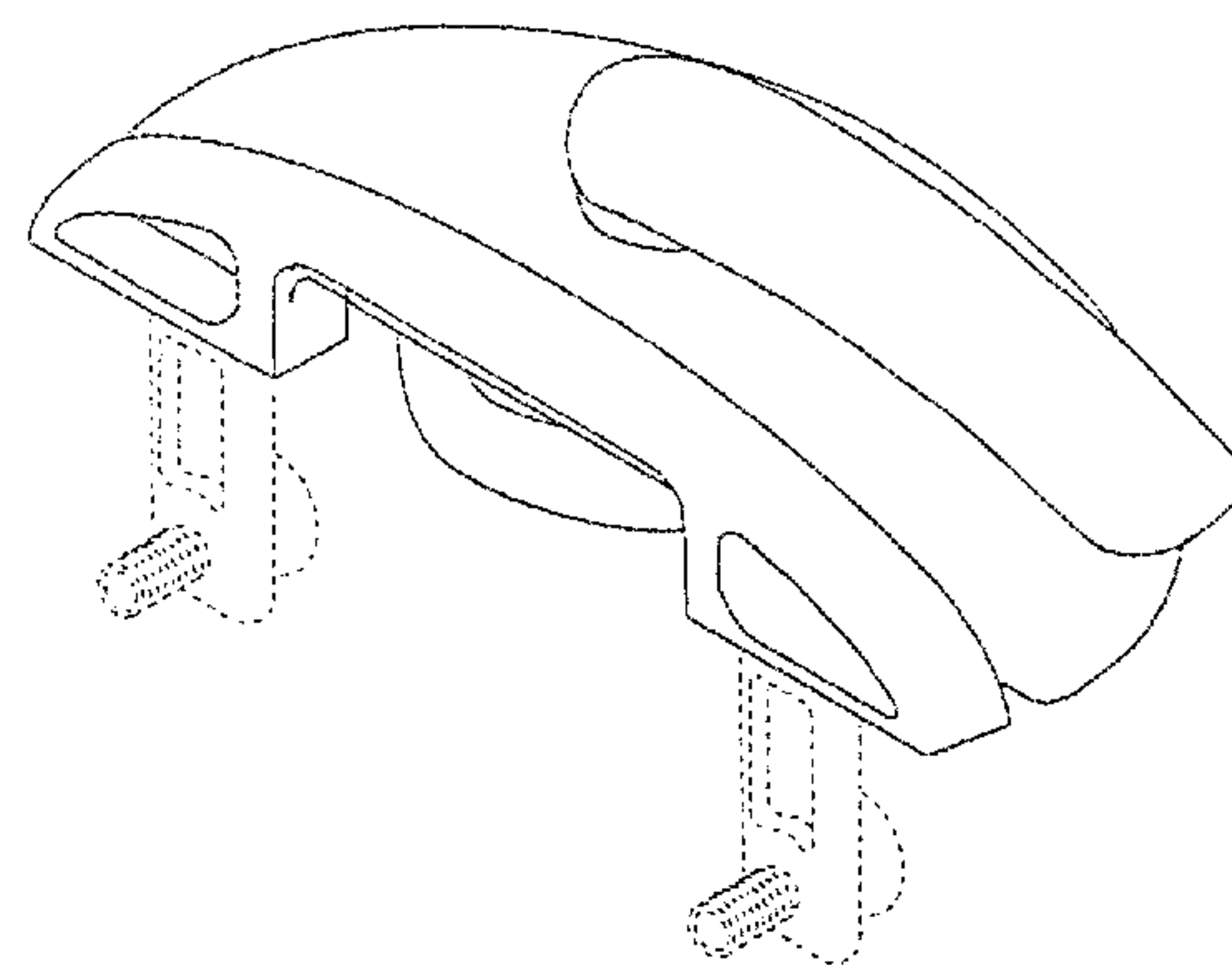
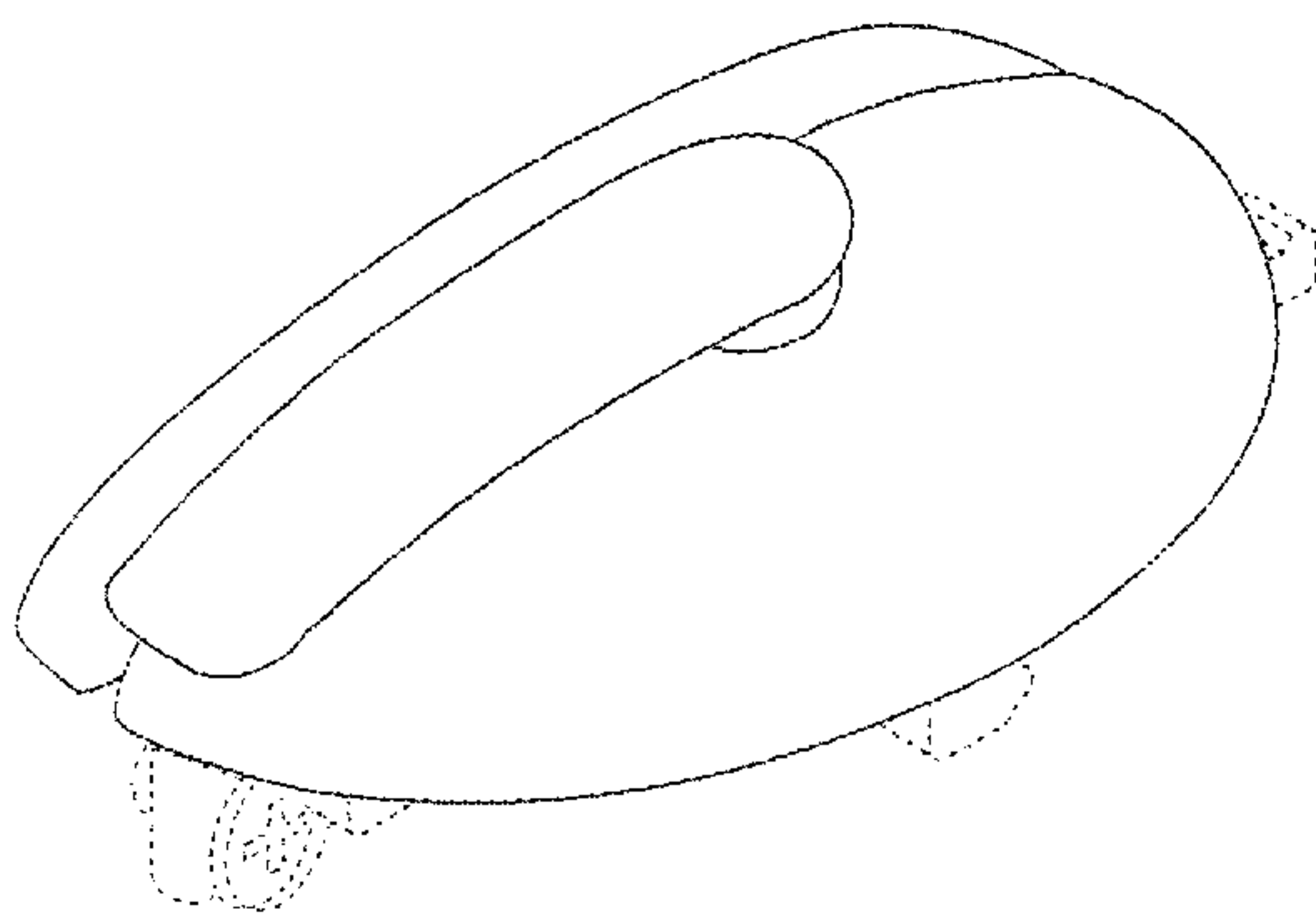
(57) **CLAIM**

The ornamental design for a sash lock and keeper, as shown and described.

**DESCRIPTION**

FIG. 1 is a left side elevational view of a sash lock and keeper showing our new design;  
FIG. 2 is a right side elevational view thereof;  
FIG. 3 is a rear elevational view thereof;  
FIG. 4 is a front elevational view thereof;  
FIG. 5 is a top front perspective view thereof;  
FIG. 6 is a top rear perspective view thereof; and,  
FIG. 7 is a top plan view thereof.  
The broken lines environment is for illustrative purpose and forms no part of the claimed design.

**1 Claim, 4 Drawing Sheets**



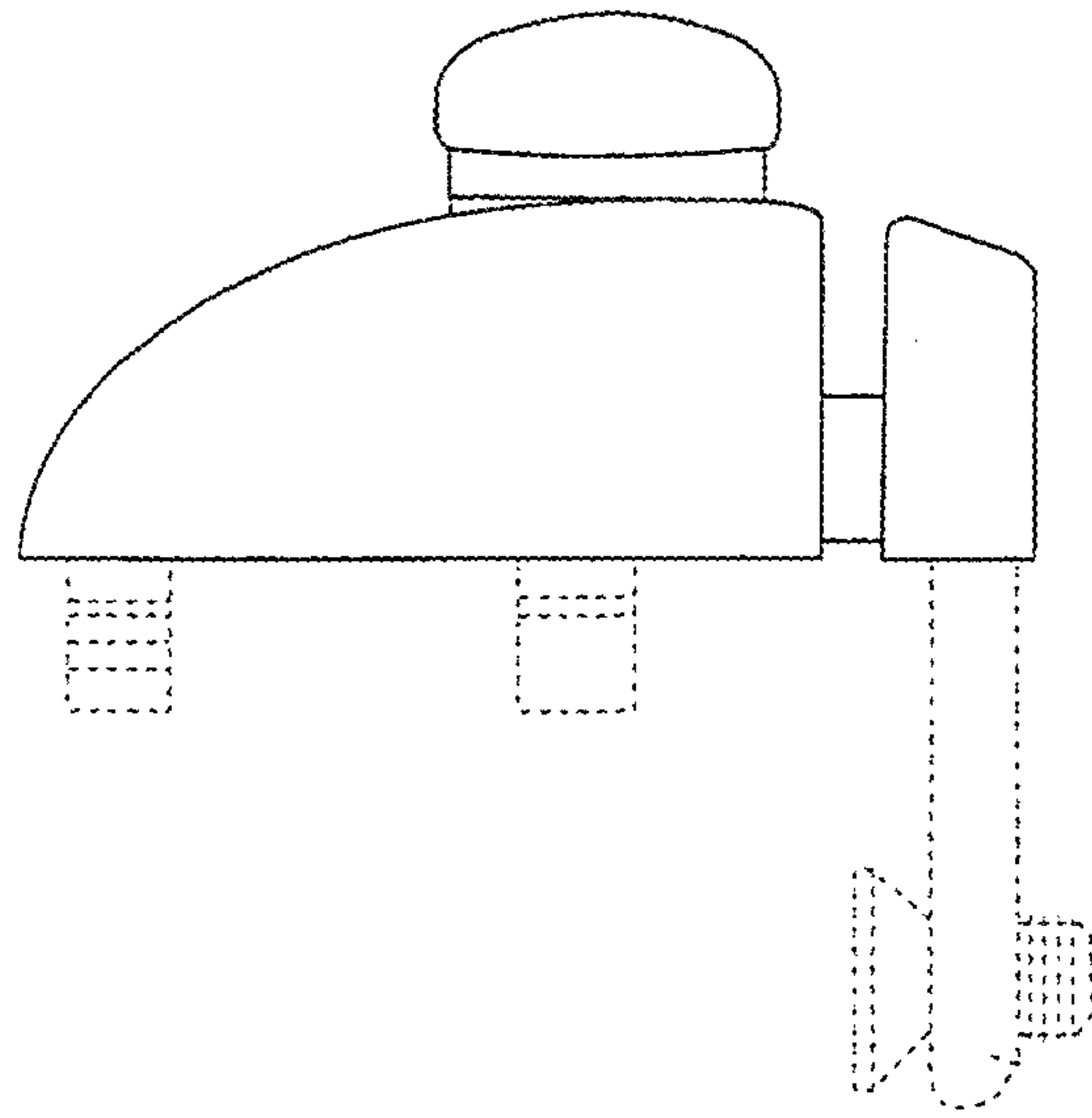


FIG. 1

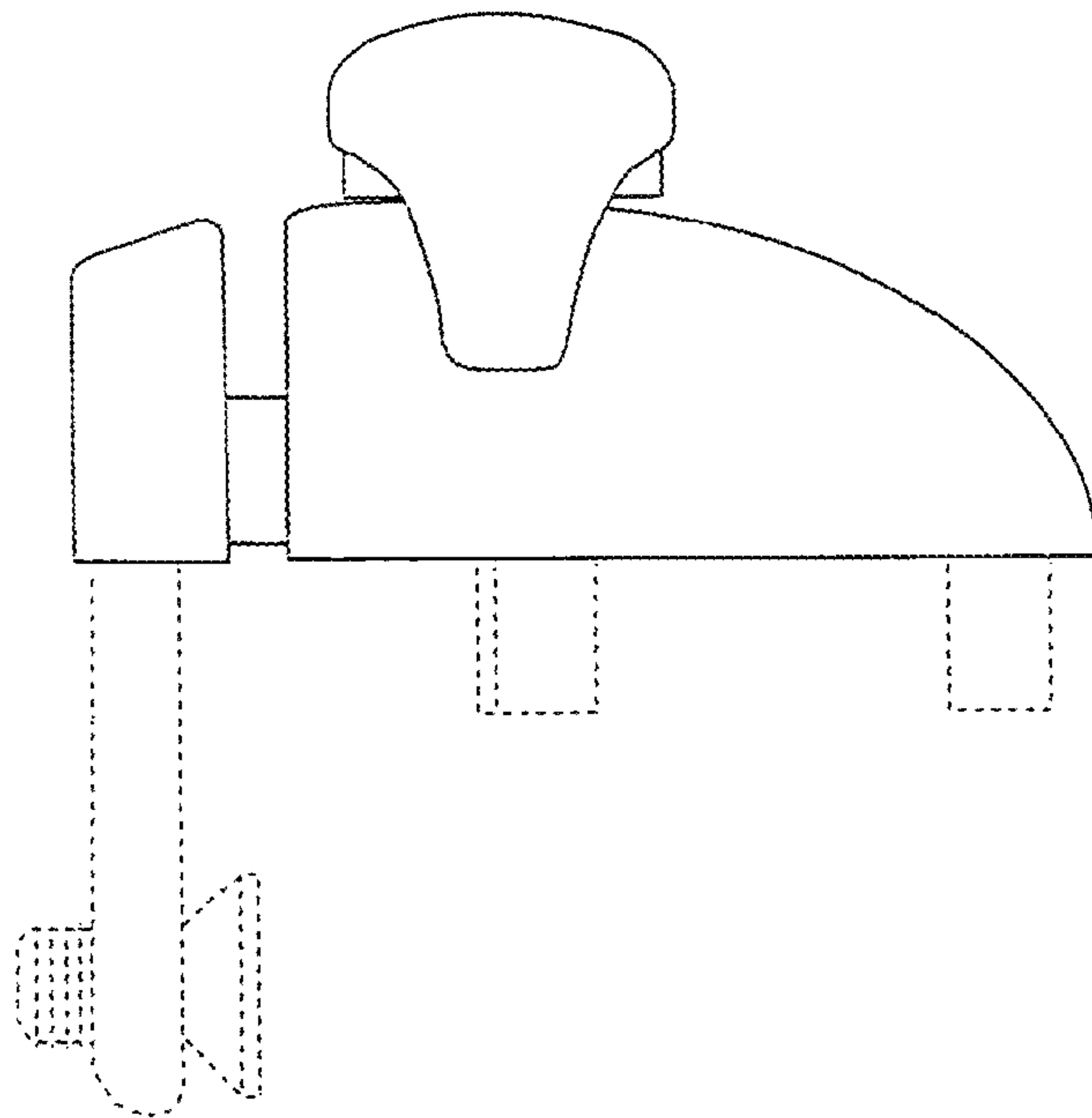


FIG. 2

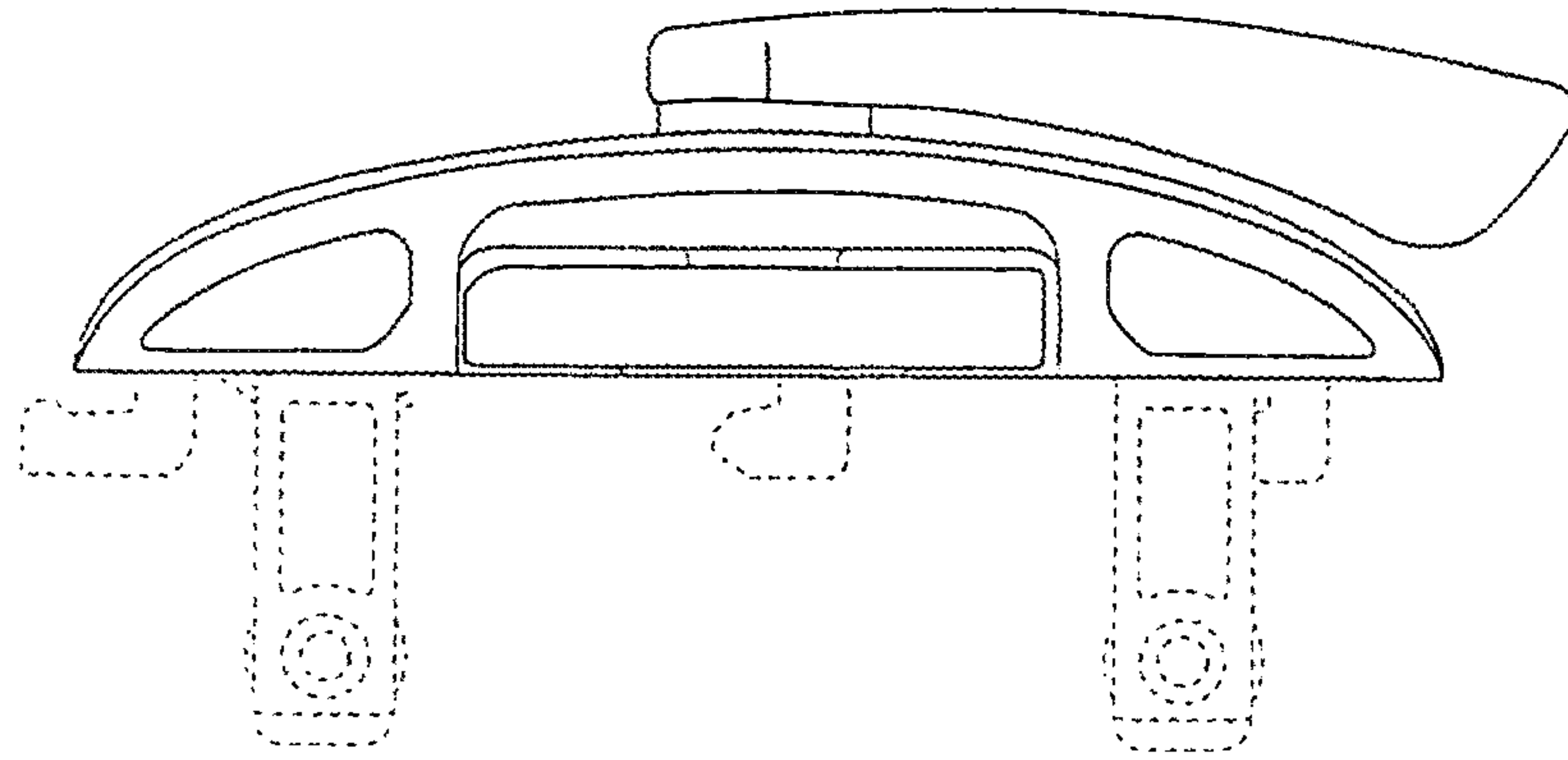


FIG. 3

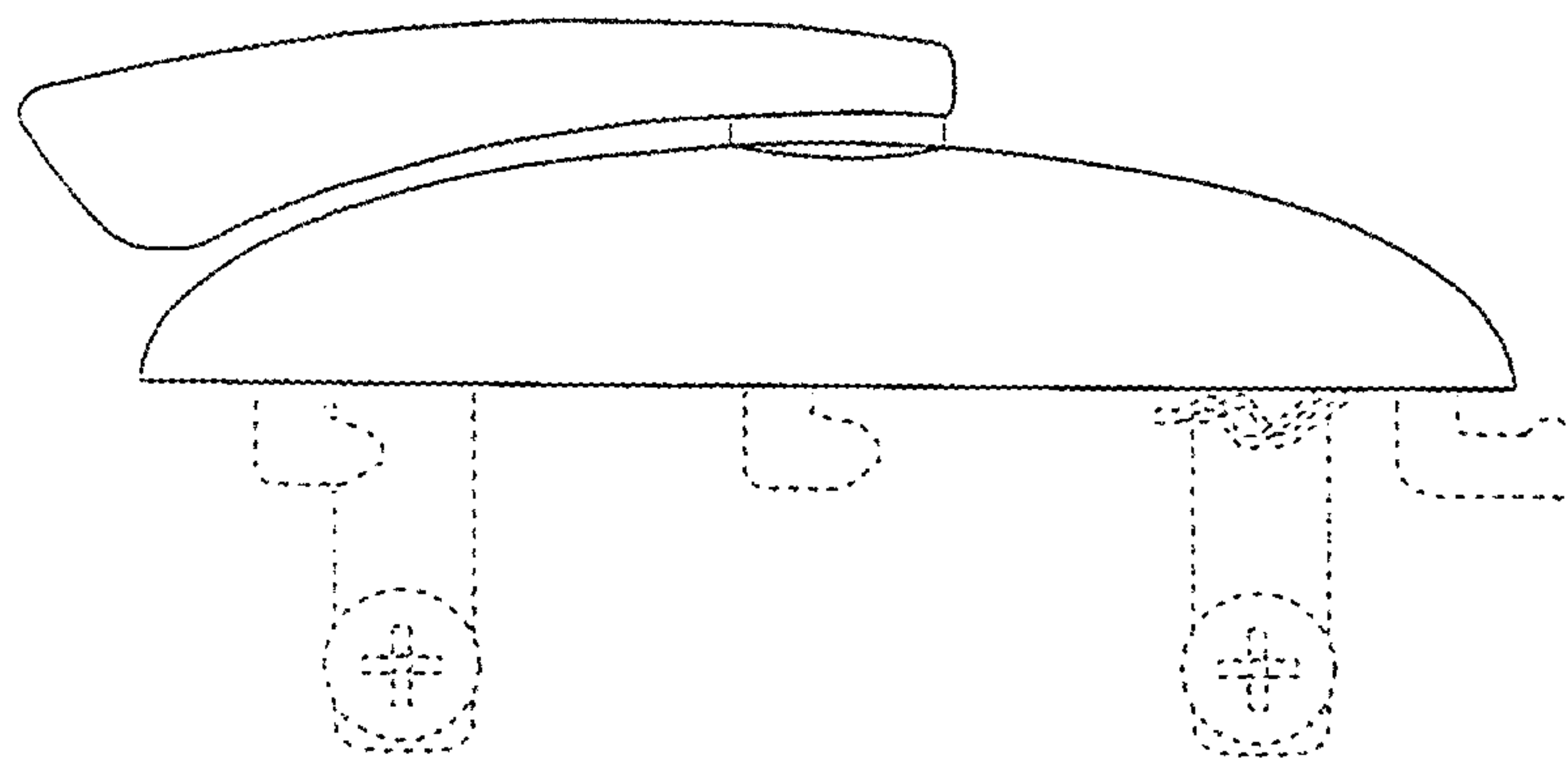


FIG. 4

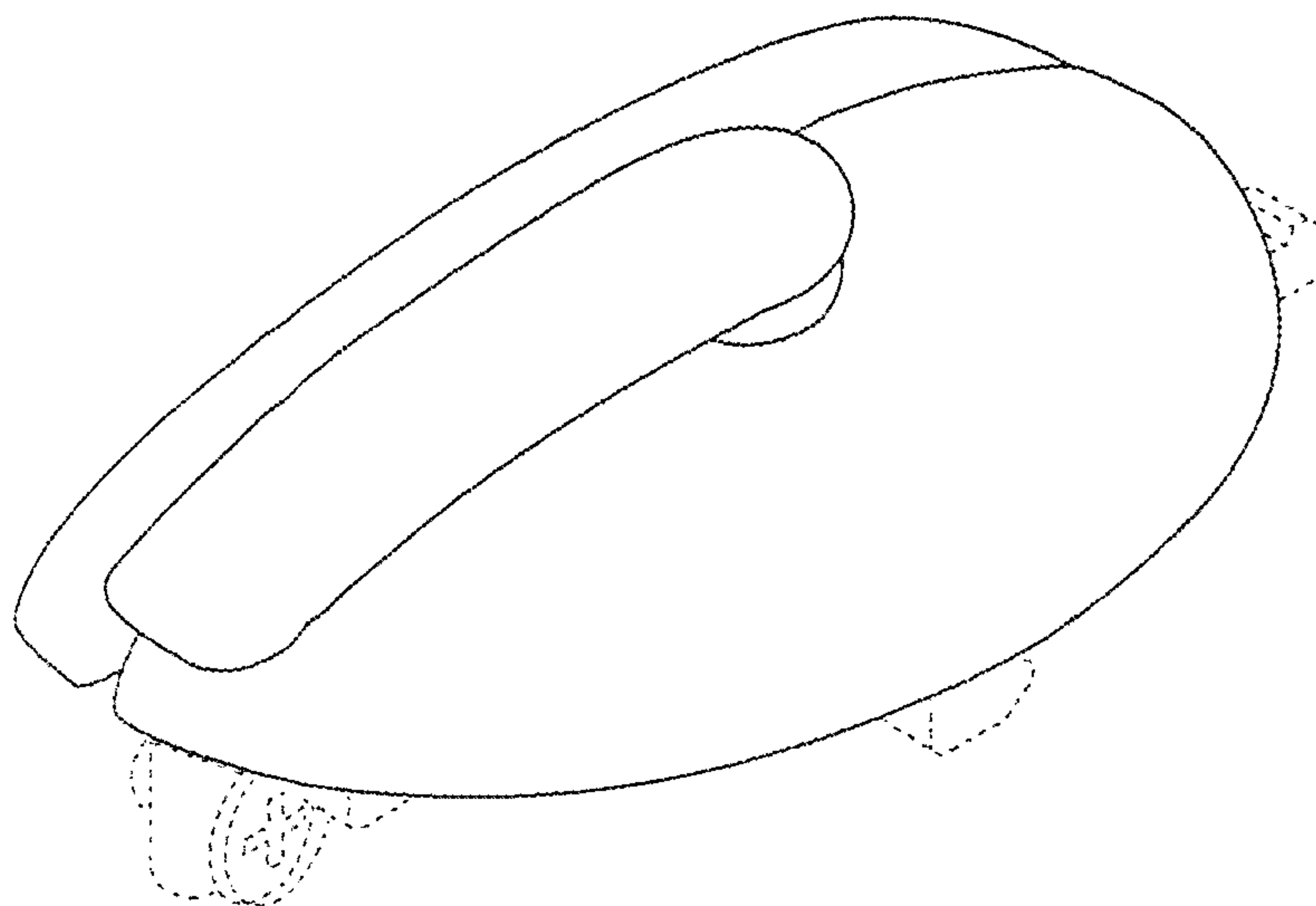


FIG. 5

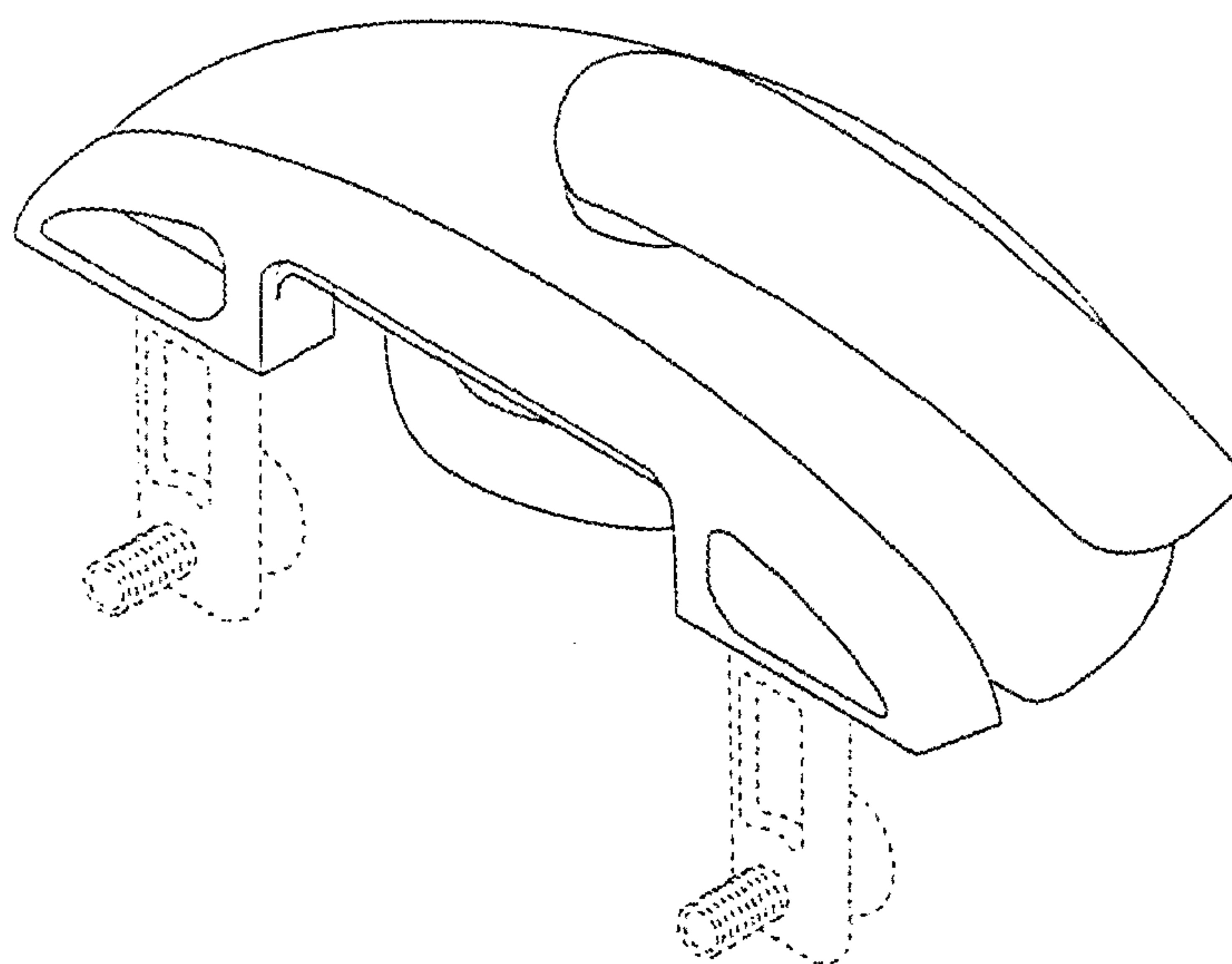


FIG. 6

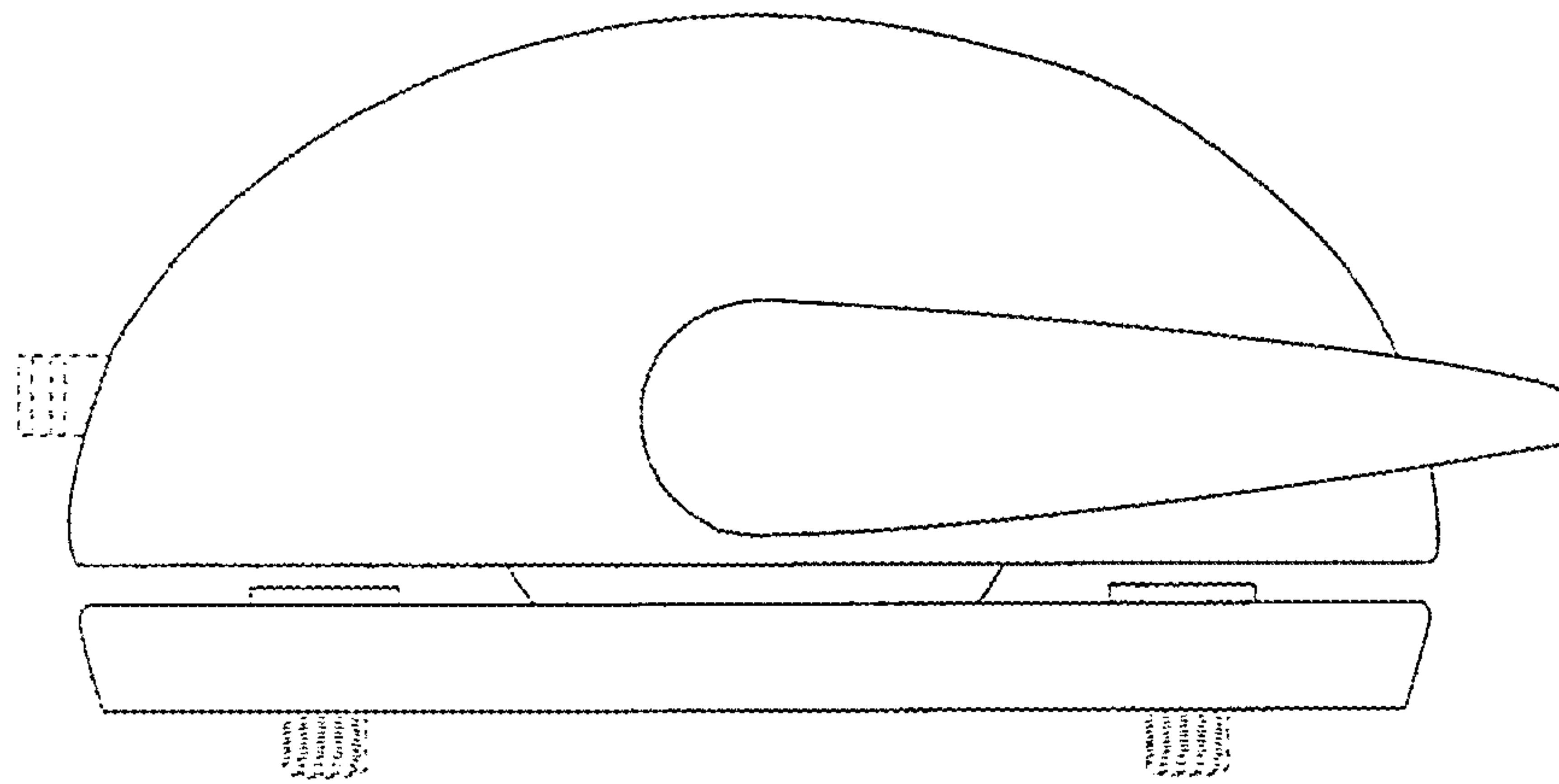


FIG. 7