



US00D756745S

(12) **United States Design Patent**
Kubota

(10) **Patent No.:** **US D756,745 S**

(45) **Date of Patent:** **** May 24, 2016**

(54) **LATCH LOCK**

(71) Applicant: **SUGATSUNE KOGYO CO., LTD.**,
Chiyoda-ku, Tokyo (JP)

(72) Inventor: **Harunobu Kubota**, Chiyoda-ku (JP)

(73) Assignee: **SUGATSUNE KOGYO CO., LTD.**,
Chiyoda-Ku (JP)

(**) Term: **14 Years**

(21) Appl. No.: **29/512,080**

(22) Filed: **Dec. 16, 2014**

(30) **Foreign Application Priority Data**

Jun. 24, 2014 (JP) 2014-013678

(51) **LOC (10) Cl.** **08-07**

(52) **U.S. Cl.**
USPC **D8/331**

(58) **Field of Classification Search**

USPC D8/330, 331, 339, 341, 343, 349, 354,
D8/394; 70/51, 52, 69, 80, 141, 142, 202,
70/231, 232, 416, 465, 466, DIG. 80;
292/32, 137, 256, 262, 273, DIG. 46
CPC E05C 1/00; E05C 9/00; E05C 19/00;
F16B 1/00; F16B 19/00

See application file for complete search history.

(56) **References Cited**

U.S. PATENT DOCUMENTS

D263,676 S * 4/1982 Wahlin D8/331
5,484,176 A * 1/1996 Sallwasser E05C 17/28
292/137

(Continued)

Primary Examiner — Prabhakar Deshmukh

(74) *Attorney, Agent, or Firm* — Masuvalley & Partners

(57) **CLAIM**

The ornamental design for a latch lock, as shown and described.

DESCRIPTION

FIG. 1 is a perspective view of a latch lock showing my new design;

FIG. 2 is a top plan view of the latch lock of FIG. 1;

FIG. 3 is a bottom plan view of the latch lock of FIG. 1;

FIG. 4 is a left side elevation view of the latch lock of FIG. 1;

FIG. 5 is a right side elevation view of the latch lock of FIG. 1;

FIG. 6 is a rear elevation view of the latch lock of FIG. 1;

FIG. 7 is a front elevation view of the latch lock of FIG. 1;

FIG. 8 is a perspective view of a latch lock, with a latch shown as being retracted into the casing;

FIG. 9 is a top plan view of the latch lock of FIG. 8;

FIG. 10 is a bottom plan view of the latch lock of FIG. 8;

FIG. 11 is a left side elevation view of the latch lock of FIG. 8;

FIG. 12 is a right side elevation view of the latch lock of FIG. 8;

FIG. 13 is a rear elevation view of the latch lock of FIG. 8;

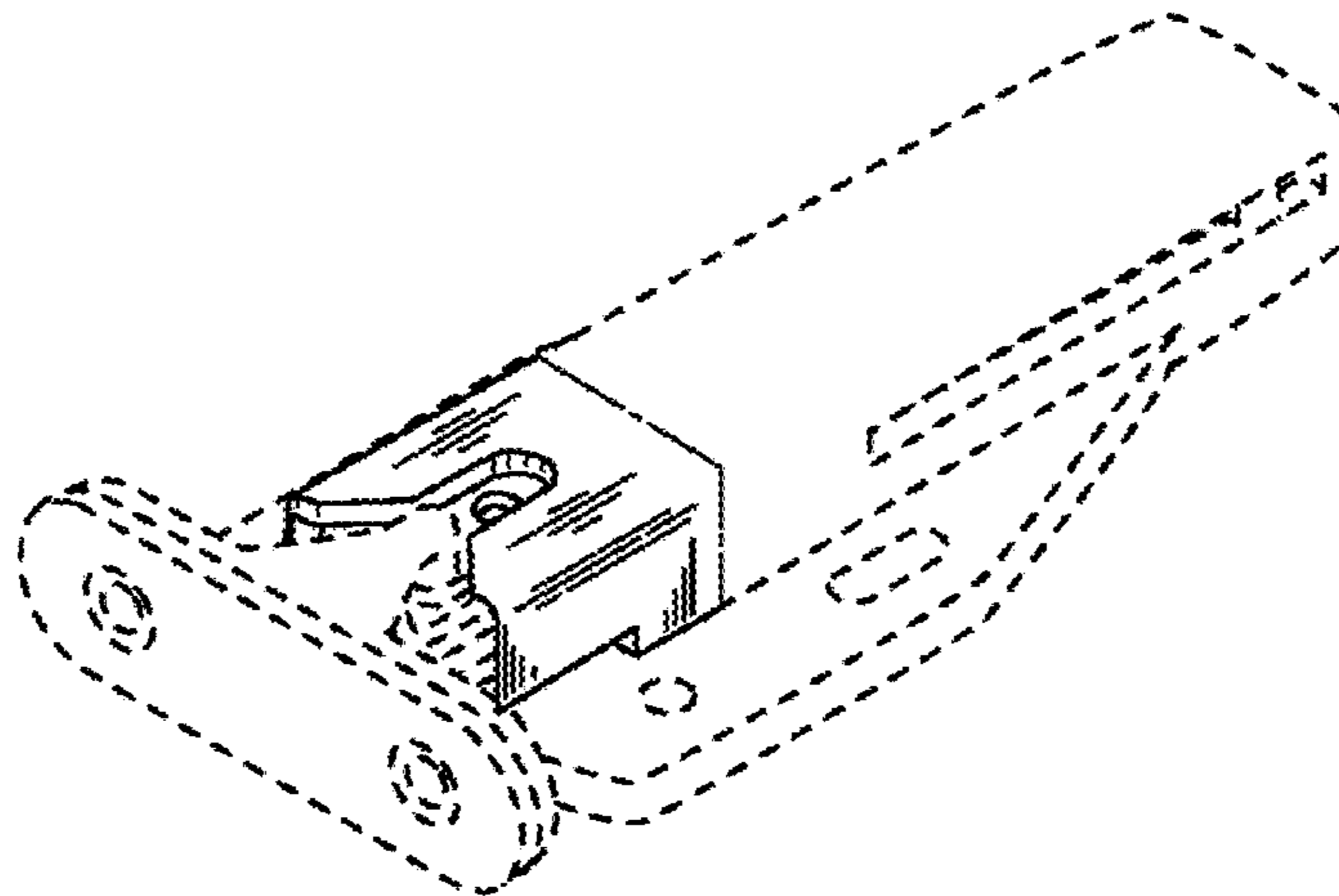
FIG. 14 is a front elevation view of the latch lock of FIG. 8;

FIG. 15 is a perspective view of a latch lock, shown in its environmental use with furniture; and,

FIG. 16 is a perspective view of a latch lock, with the latch lock shown as being engaged with a receiving part.

The broken lines illustrate the unclaimed portions and environment and form no part of the claimed design. The dot-dash lines define the bounds of the claimed design and form no part of the claimed design.

1 Claim, 8 Drawing Sheets



(56)

References Cited

U.S. PATENT DOCUMENTS

5,725,229 A * 3/1998 McWethy B60D 1/06
280/416.1
5,897,142 A * 4/1999 Kulevsky F16L 37/0982
285/308
D452,777 S * 1/2002 Newman D4/138
7,031,125 B2 * 4/2006 Germain H01H 73/14
361/42

D538,133 S * 3/2007 Richardson D8/339
D649,862 S * 12/2011 Arvinte D8/339
D658,036 S * 4/2012 Fong D8/330
8,641,429 B2 * 2/2014 Fish H01R 13/6658
439/76.1
D710,183 S * 8/2014 Huddleston D8/339
8,985,510 B2 * 3/2015 Hale B64C 13/28
244/99.2
D743,771 S * 11/2015 Lentine D8/302

* cited by examiner

FIG. 1

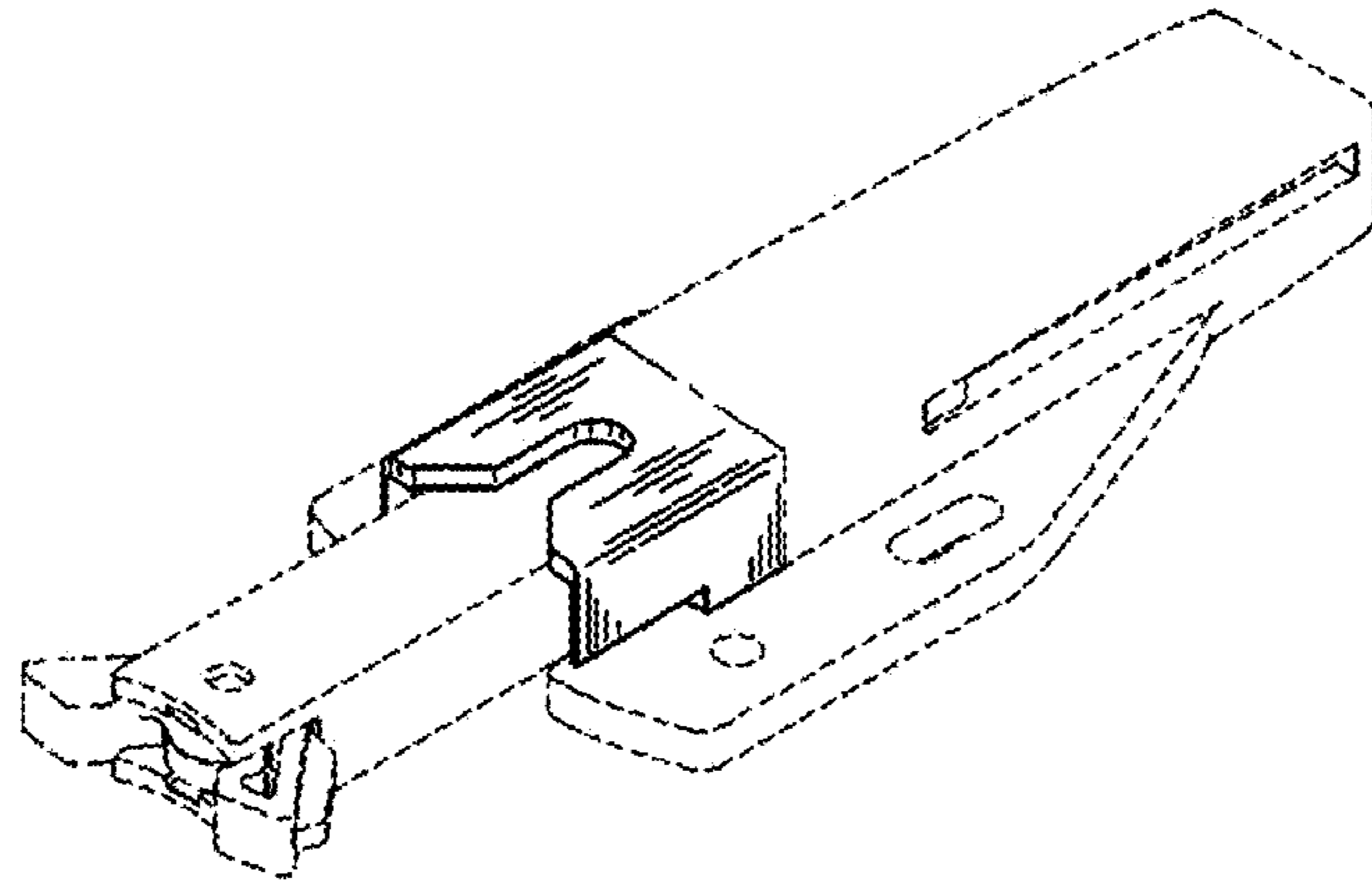


FIG. 2

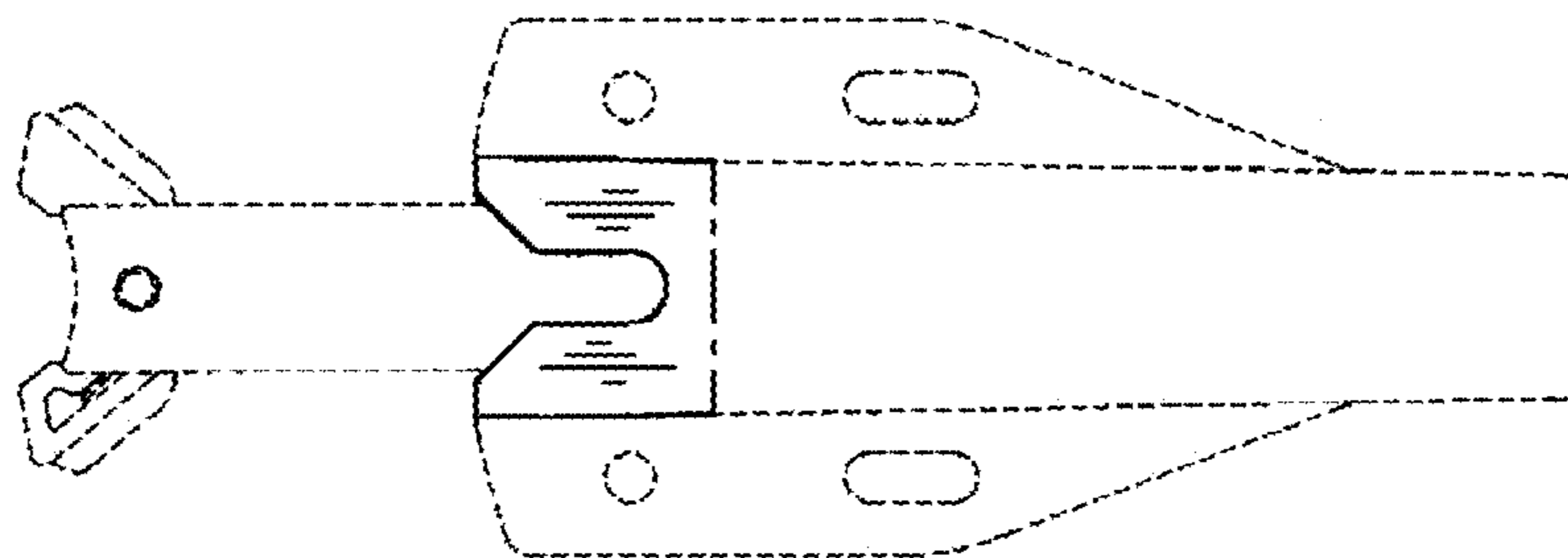


FIG. 3

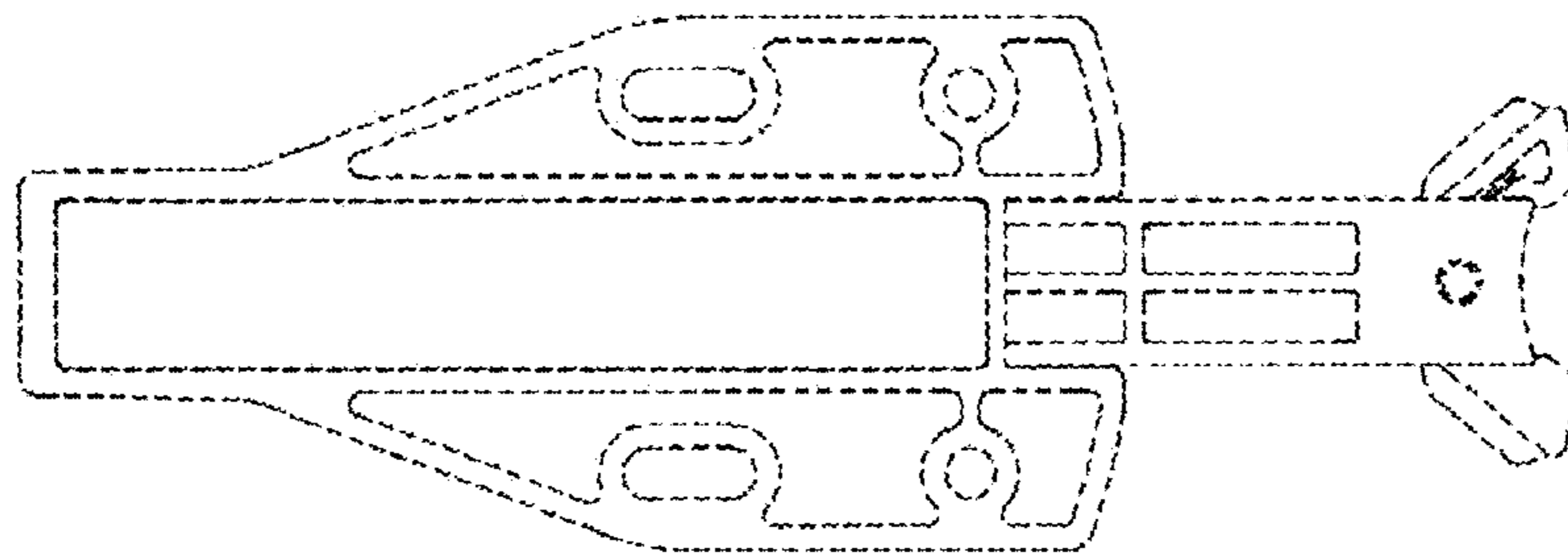


FIG. 4

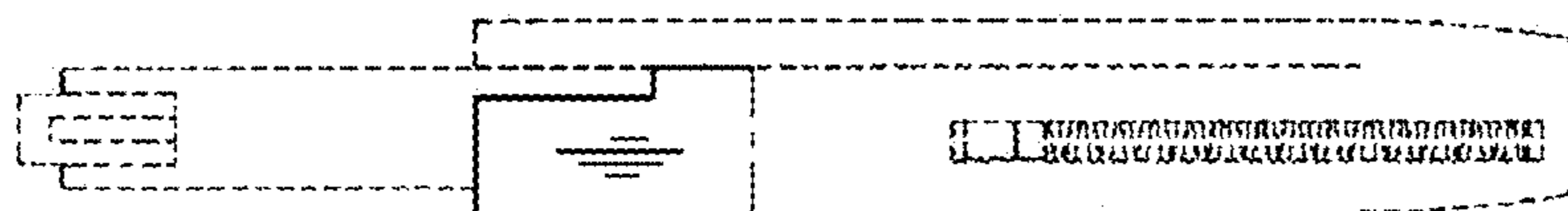


FIG. 5



FIG. 6



FIG. 7



FIG. 8

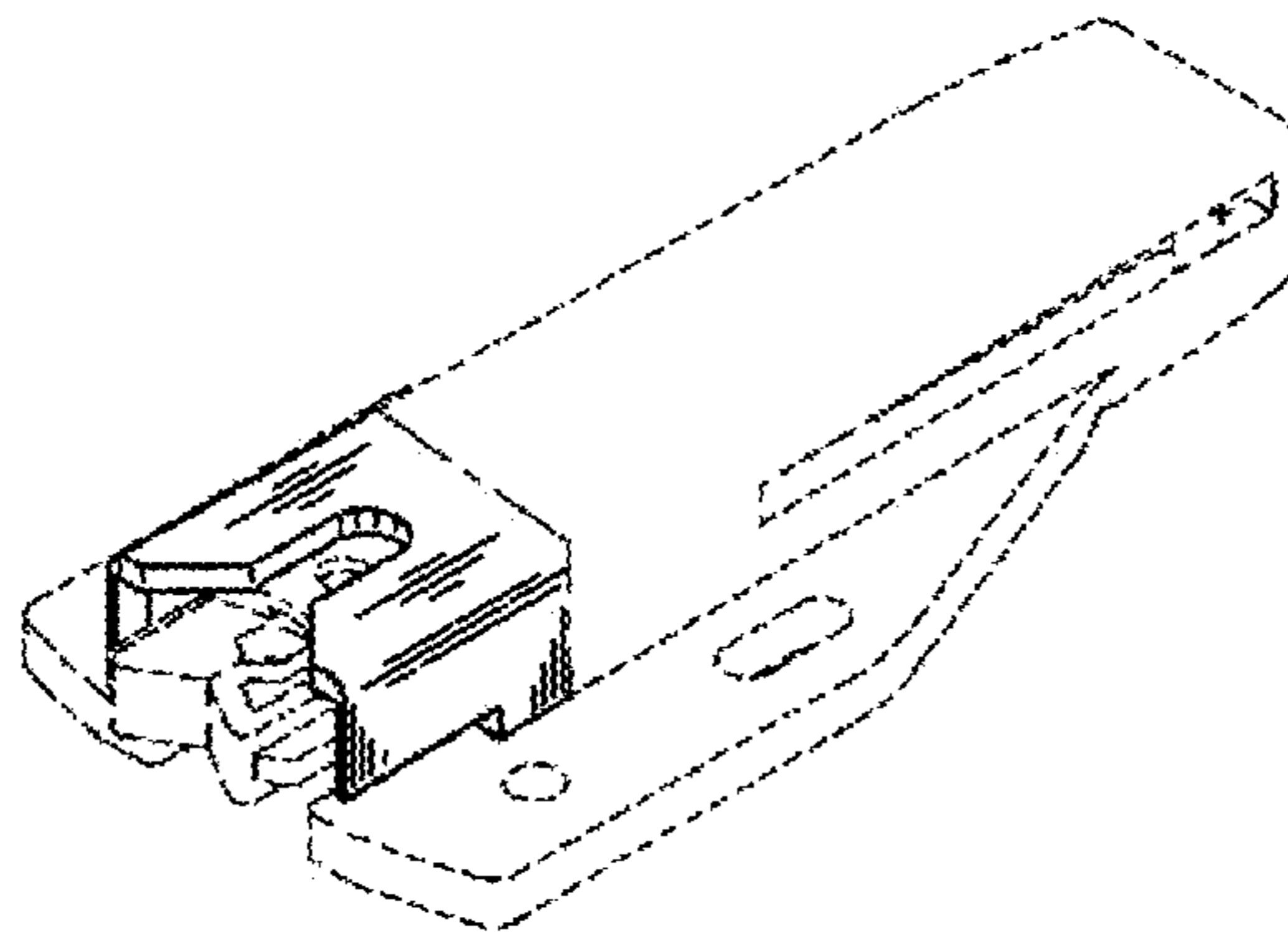


FIG. 9

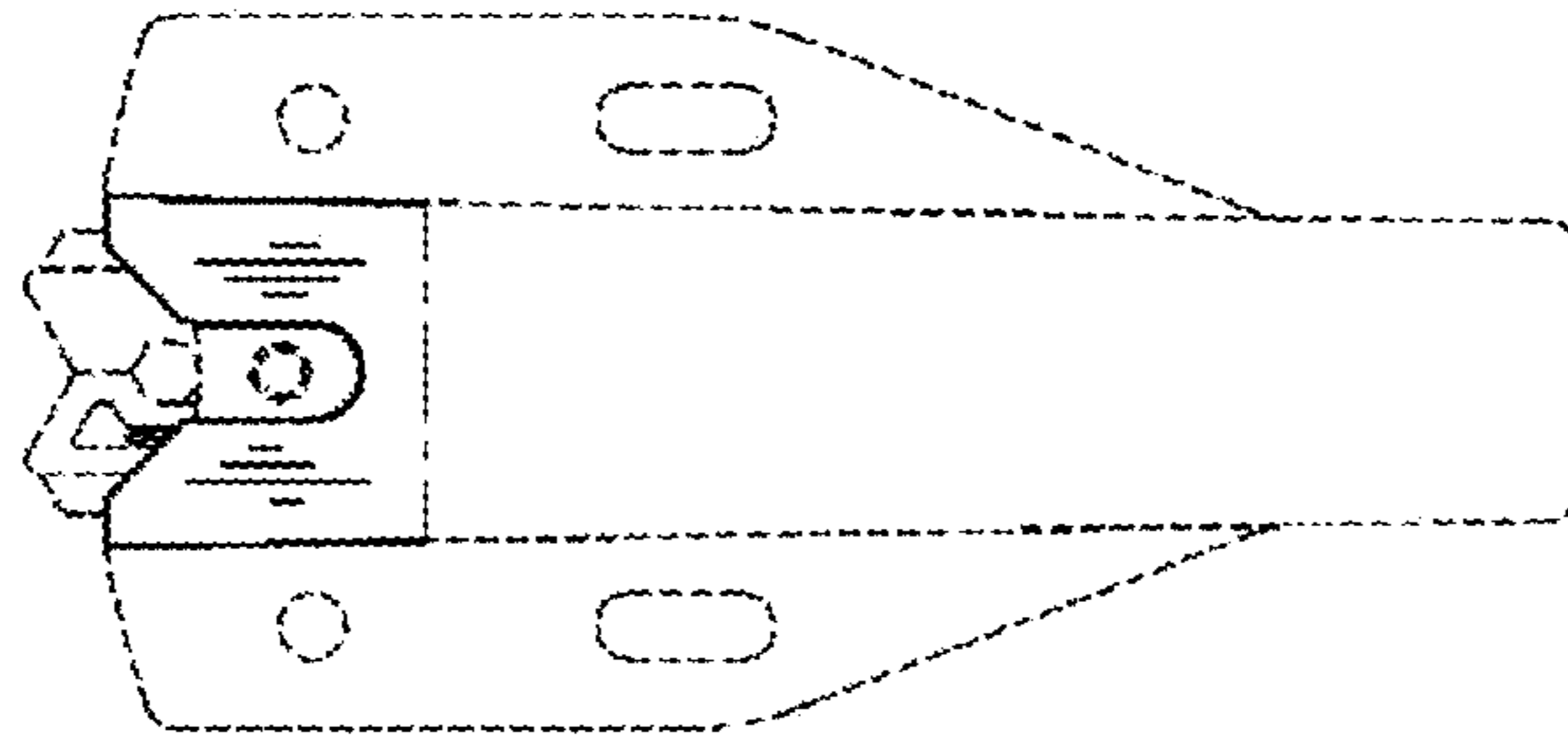


FIG. 10

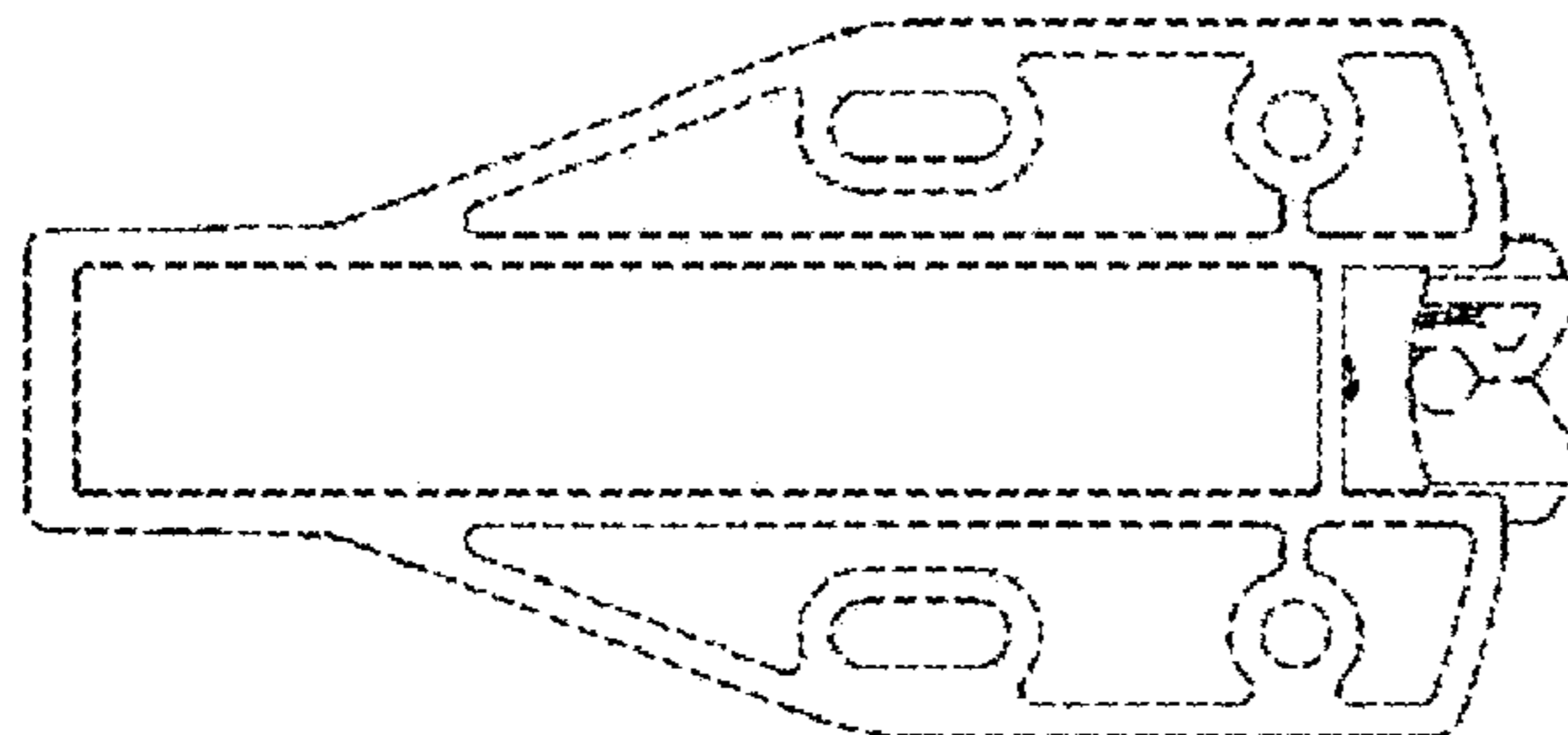


FIG. 11

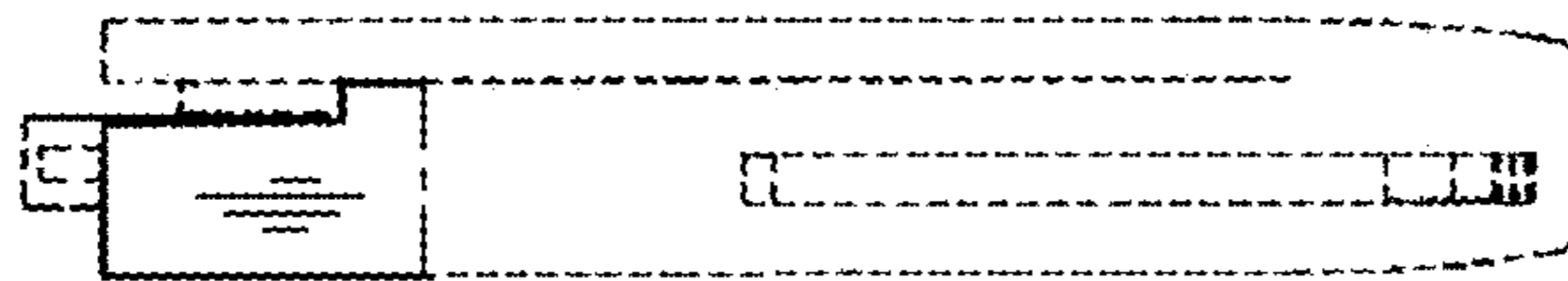


FIG. 12

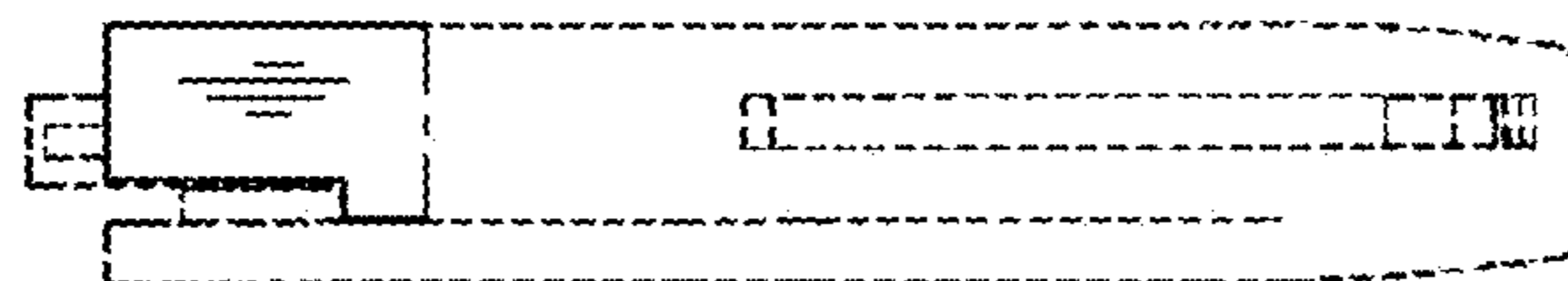


FIG. 13



FIG. 14

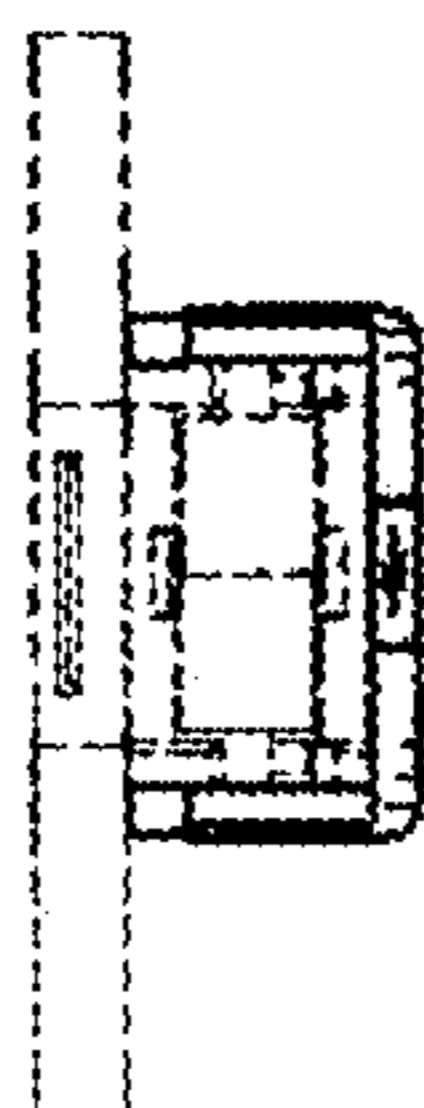


FIG. 15

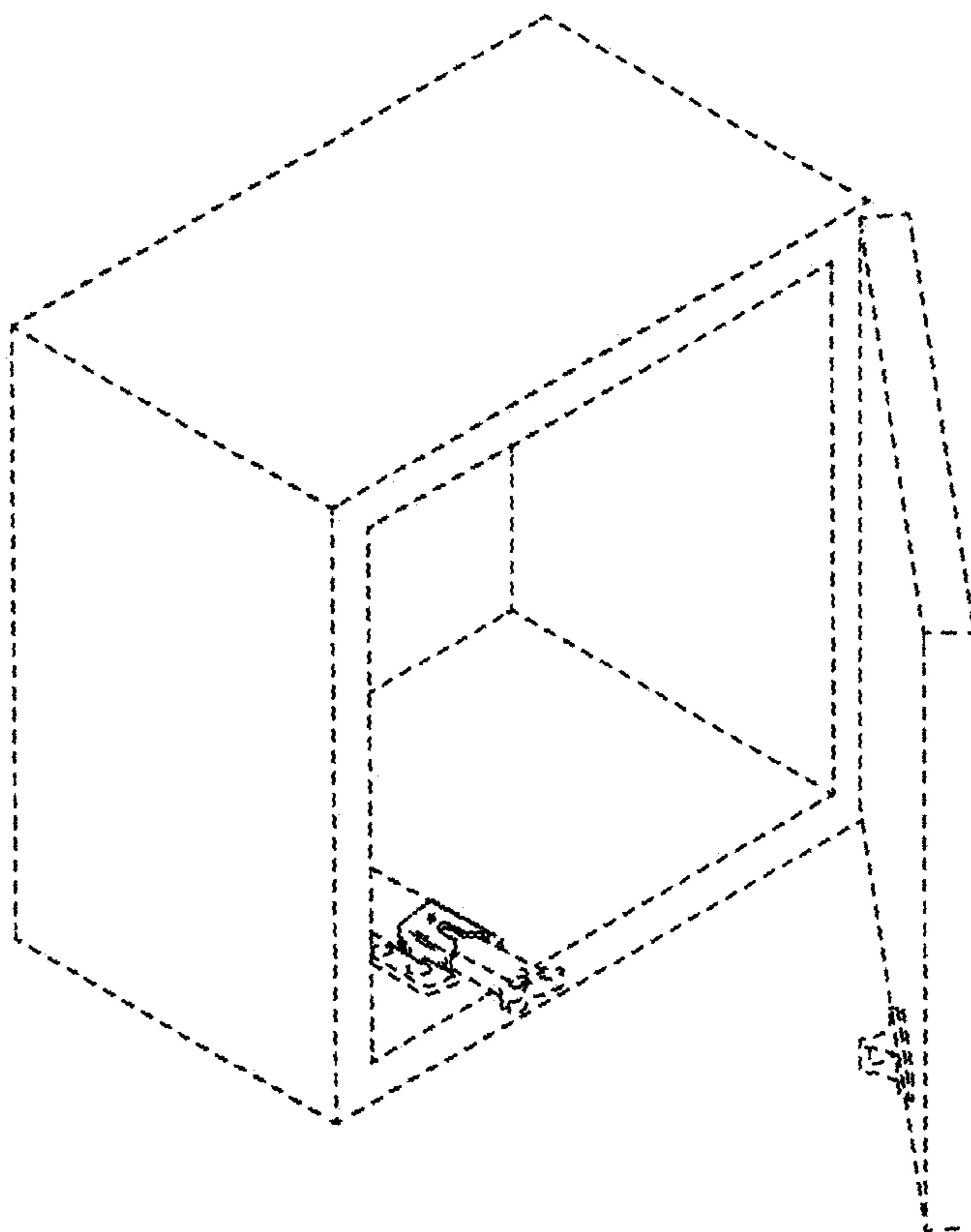


FIG. 16

