



US00D756744S

(12) **United States Design Patent**
Weissaupt et al.

(10) **Patent No.:** **US D756,744 S**

(45) **Date of Patent:** **** May 24, 2016**

(54) **CONTAINER PLUMB WITH SECURITY BOLT**

(56)

References Cited

(71) Applicant: **AESCULAP AG**, Tuttlingen (DE)
(72) Inventors: **Dieter Weissaupt**, Immendingen (DE);
Gerold Zieris, Mühlheim (DE)
(73) Assignee: **AESCULAP AG**, Tuttlingen (DE)
(**) Term: **14 Years**

U.S. PATENT DOCUMENTS

5,548,982 A * 8/1996 Rawling E05B 5/003
292/251
6,017,177 A * 1/2000 Lanham F16B 23/003
411/402
D523,324 S * 6/2006 Miller D8/330
D548,041 S * 8/2007 Littrell D8/331
D568,716 S * 5/2008 Littrell D8/331
D607,301 S * 1/2010 Chen D8/331
7,828,346 B2 * 11/2010 Terry E05B 39/02
292/307 R
D661,975 S * 6/2012 Mahaffey D8/330
D701,444 S * 3/2014 Kruest D8/330
D709,753 S * 7/2014 Guala D24/112
8,991,879 B2 * 3/2015 Debrody G09F 3/0317
292/317
9,091,291 B2 * 7/2015 Andrade de
Souza F16B 31/021

(21) Appl. No.: **29/510,188**

(22) Filed: **Nov. 25, 2014**

(30) **Foreign Application Priority Data**

May 27, 2014 (EM) 002471607-0001

(51) **LOC (10) Cl.** **08-07**

(52) **U.S. Cl.**
USPC **D8/331**

(58) **Field of Classification Search**

USPC D8/330, 331, 342, 343, 344, 349;
D9/434, 435, 446; 206/528, 535, 828;
220/200, 203.22, 293, 361-363, 740,
220/334, 339, 333; 340/572.1, 572.8,
340/572.9, 539.13, 539.26, 542, 571,
340/693.5; 411/107, 116, 176, 378, 424,
411/427, 436; 70/50, 51, 52, 90, 101, 158,
70/164, 465, 466; 292/307 R, 307 B, 327,
292/251, 256, 67, 303, 911, 913, 924, 2-5,
292/8, 43

CPC E05C 1/00; E05C 19/00; E05C 19/10;
F16B 31/00; F16B 31/021; F16B 41/005

See application file for complete search history.

* cited by examiner

Primary Examiner — Prabhakar Deshmukh

(74) *Attorney, Agent, or Firm* — Kenealy Vaidya LLP

(57) **CLAIM**

The ornamental design for a container plumb with security bolt, as shown and described.

DESCRIPTION

FIG. 1 is a perspective view of a container plumb with security bolt showing our new design;
FIG. 2 is a top plan view thereof;
FIG. 3 is a bottom plan view thereof;
FIG. 4 is a front elevational view thereof;
FIG. 5 is a left side elevational view thereof;
FIG. 6 is a rear elevational view thereof; and,
FIG. 7 is a right side elevational view thereof.
The broken lines represent unclaimed portions and form no part of the claimed design.

1 Claim, 4 Drawing Sheets

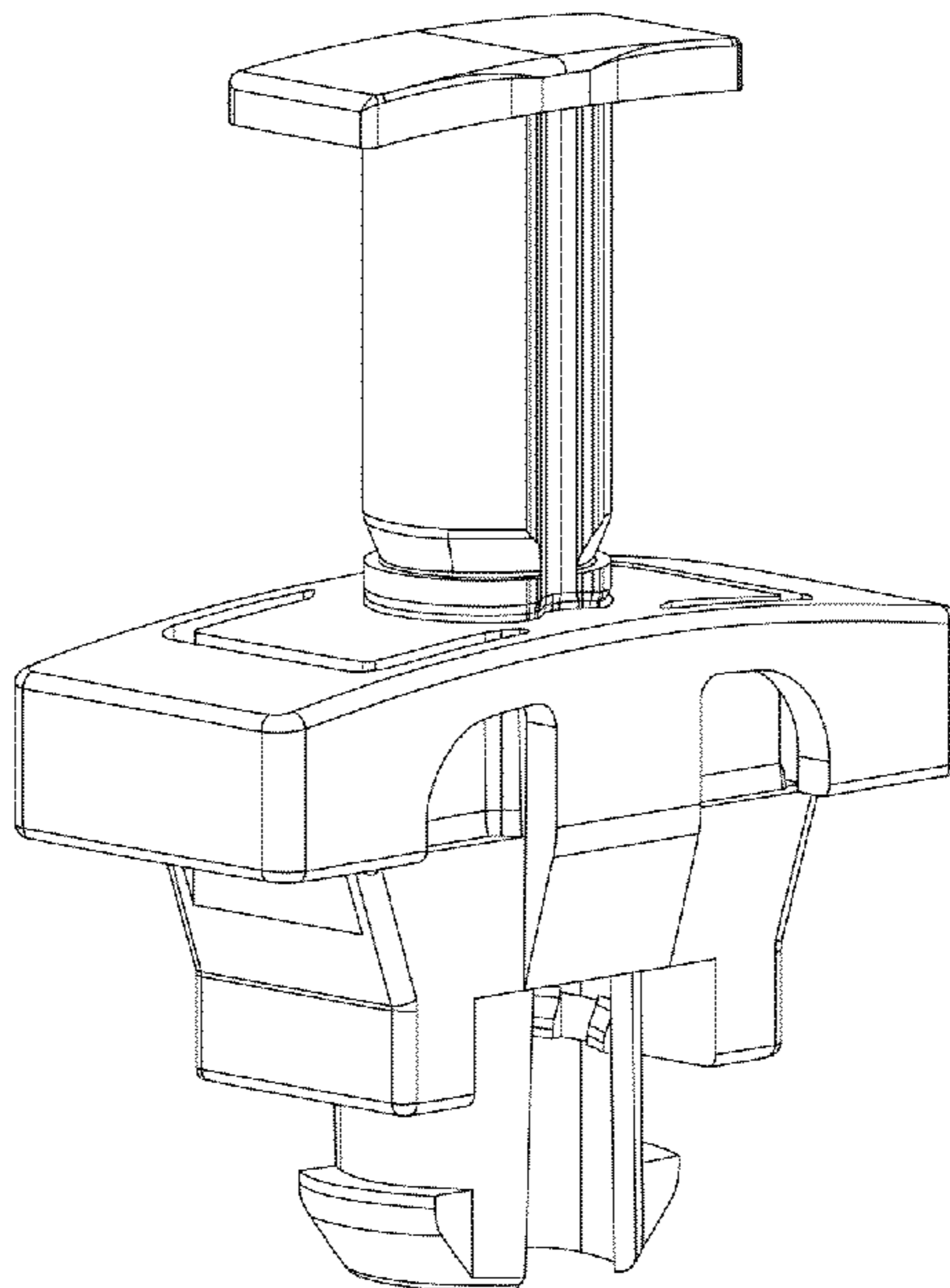


FIG. 1

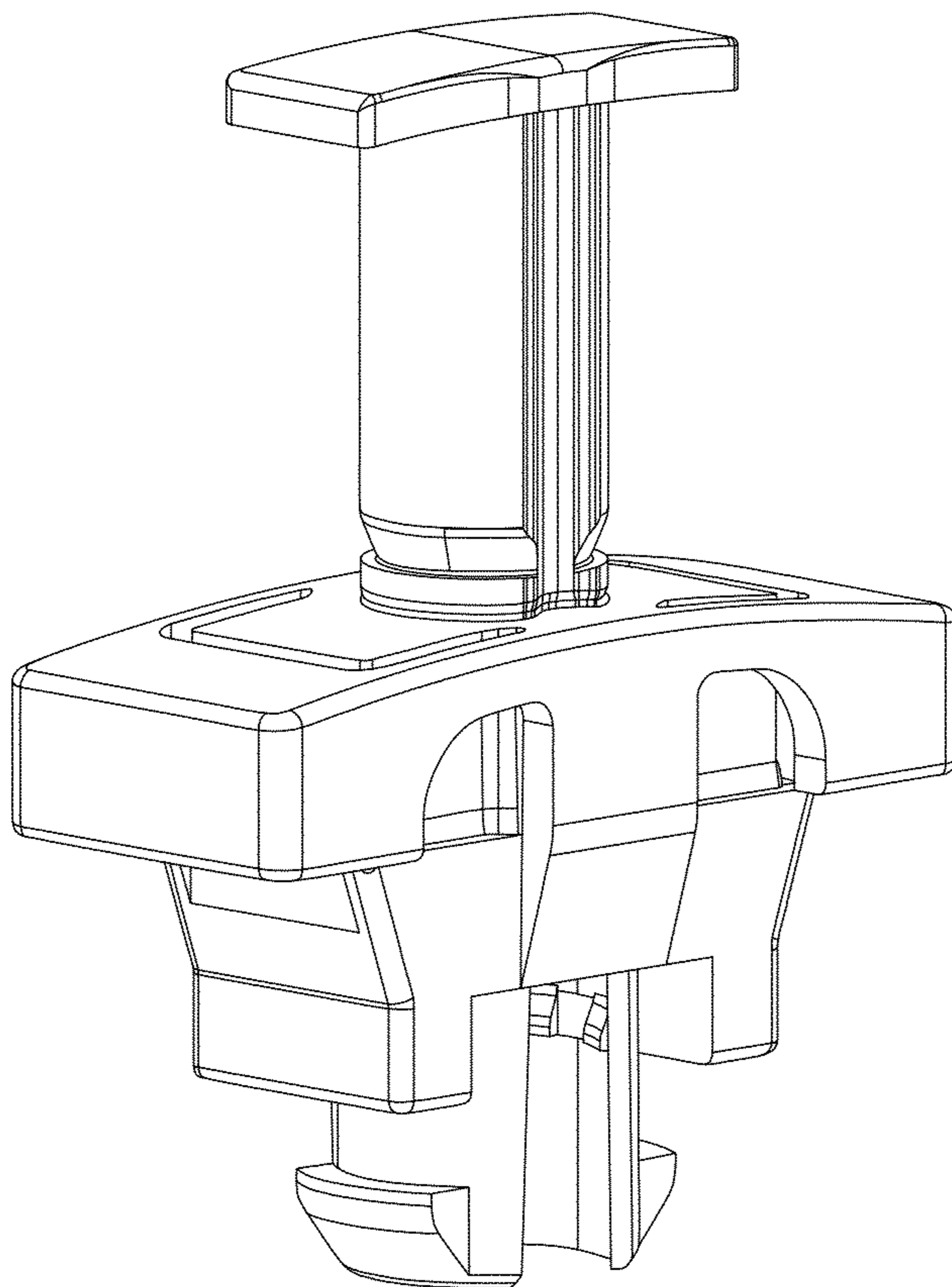


FIG. 2

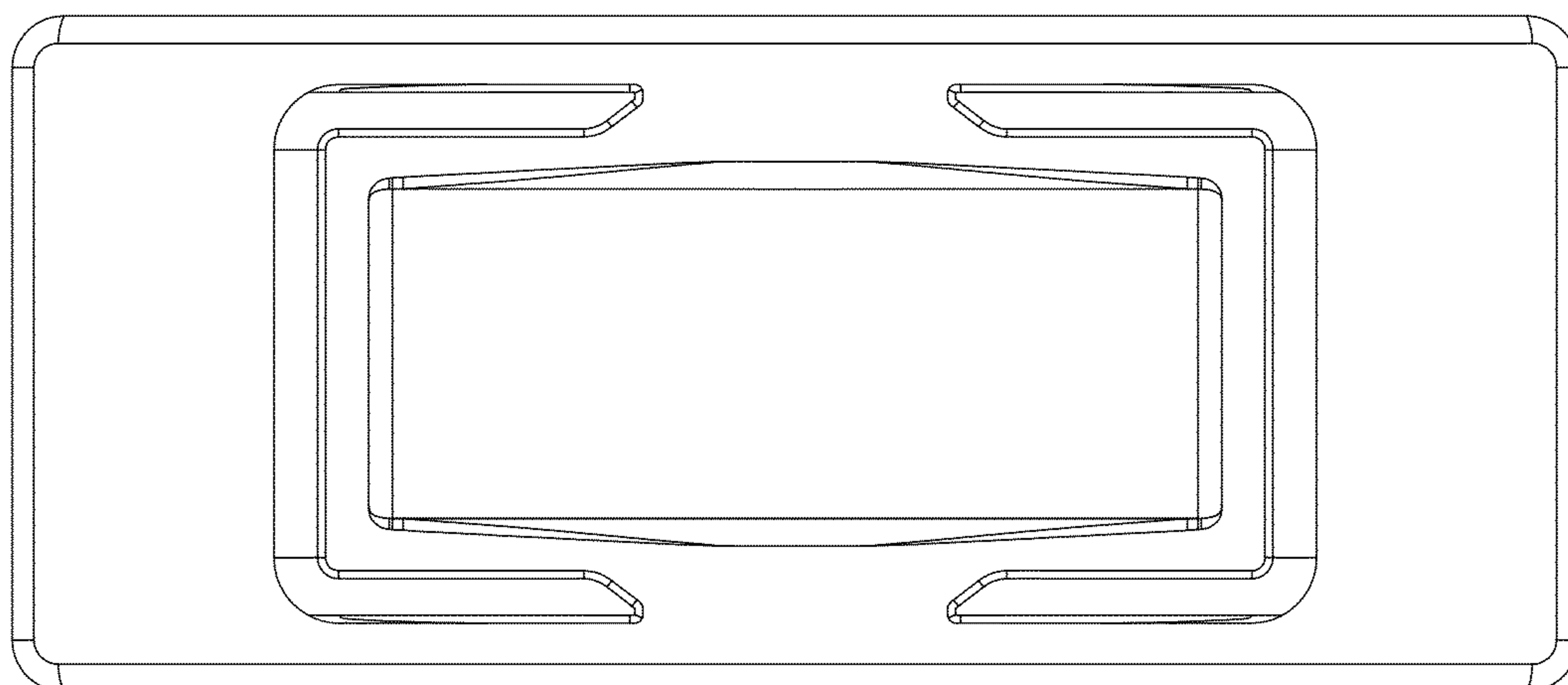


FIG. 3

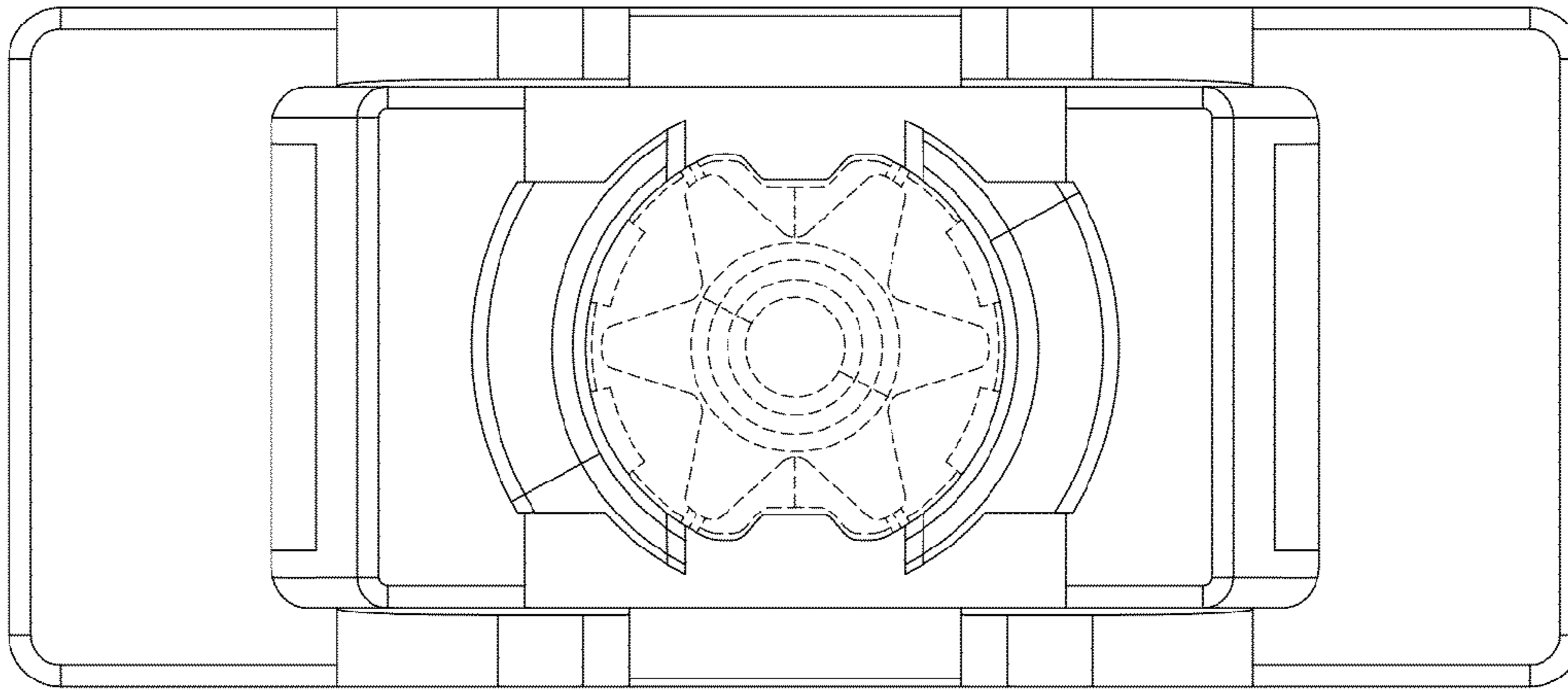


FIG. 4

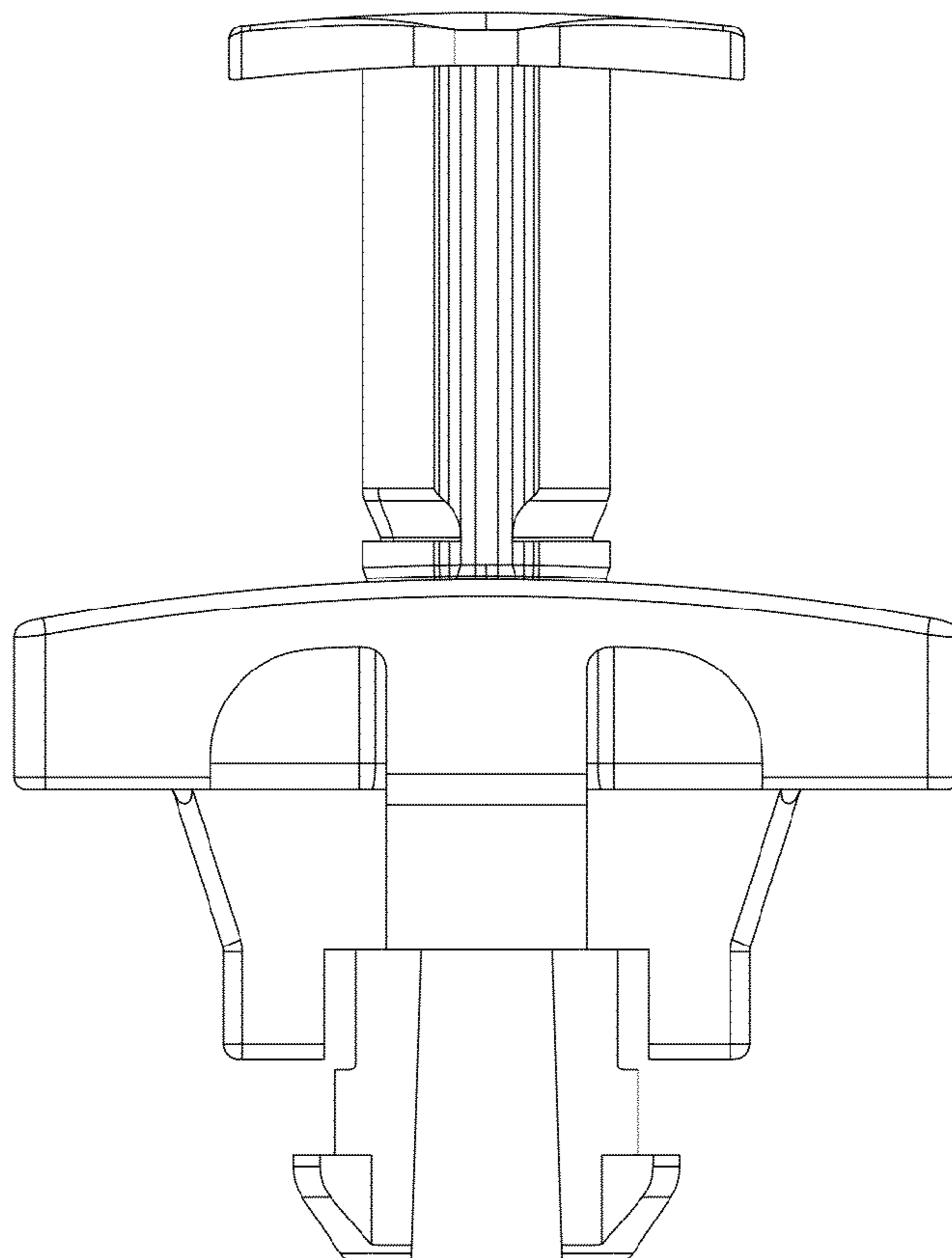


FIG. 6

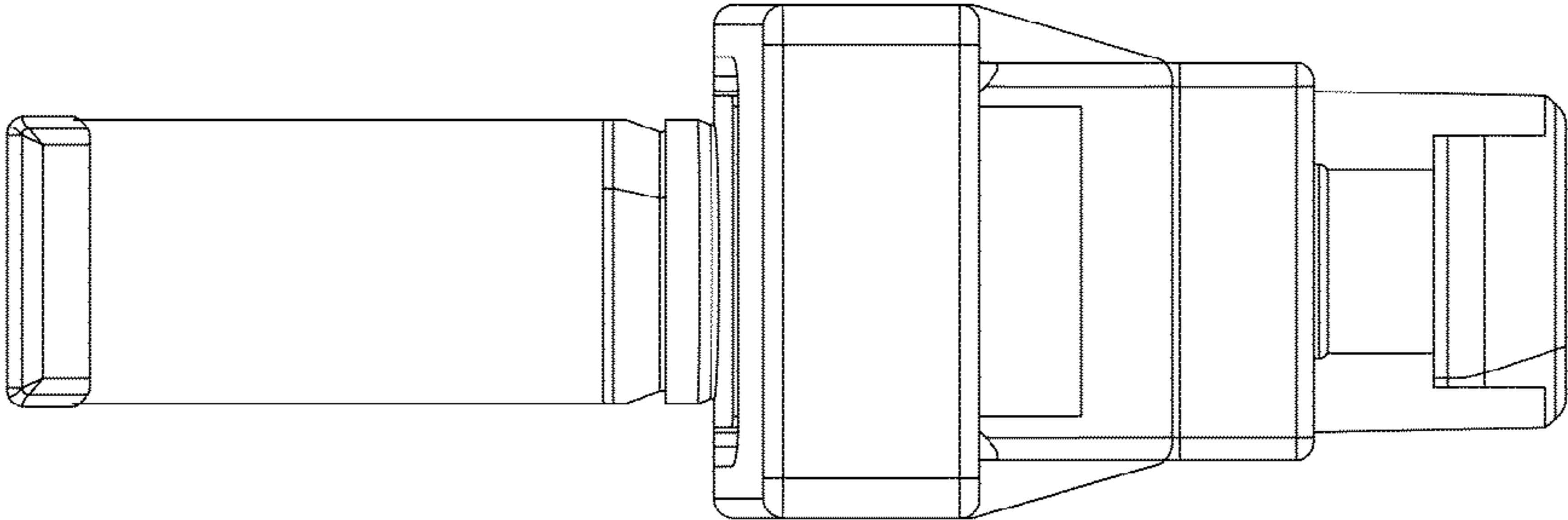


FIG. 5

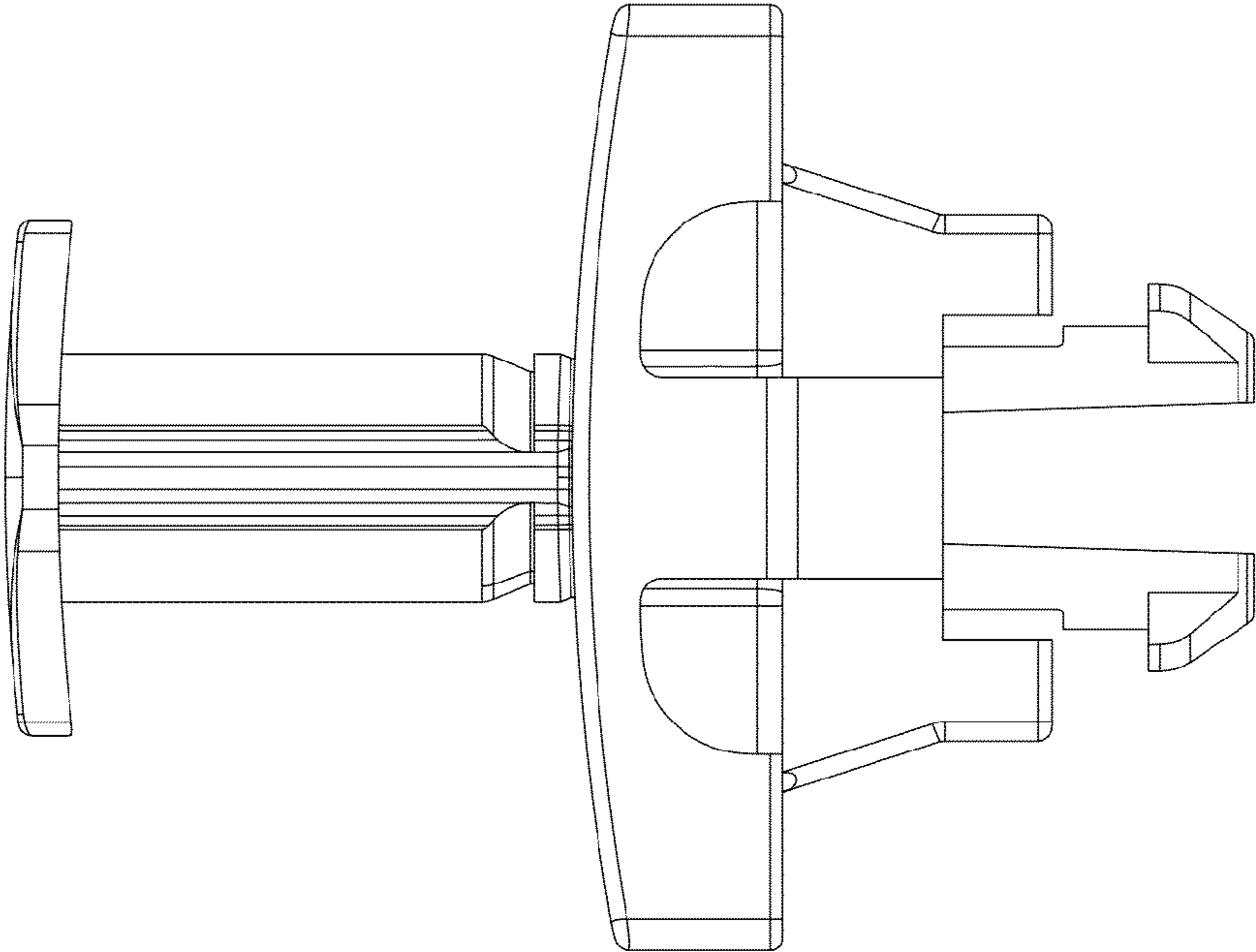


FIG. 7

