



US00D756743S

(12) **United States Design Patent**
Lindo et al.

(10) **Patent No.:** **US D756,743 S**

(45) **Date of Patent:** **** *May 24, 2016**

(54) **TILT AND SWIVEL HINGE**

D623,922 S * 9/2010 Drake D8/323
D718,607 S * 12/2014 Thrush et al. D8/323
D719,810 S * 12/2014 Lu D8/323

(71) Applicant: **Southco, Inc.**, Concordville, PA (US)

* cited by examiner

(72) Inventors: **Benjamin Gerald Lindo**, Philadelphia, PA (US); **John Joseph Todd, Jr.**, Springfield, PA (US); **James Joseph Ford**, West Chester, PA (US)

Primary Examiner — Cynthia Underwood
(74) *Attorney, Agent, or Firm* — RatnerPrestia

(73) Assignee: **Southco, Inc.**, Concordville, PA (US)

(57) **CLAIM**
The ornamental design for a tilt and swivel hinge, as shown and described.

(*) Notice: This patent is subject to a terminal disclaimer.

DESCRIPTION

(**) Term: **14 Years**

FIG. 1 is a front isometric view taken from above the right front corner of a tilt and swivel hinge;
FIG. 2 is a rear isometric view taken from above the left rear corner of the tilt and swivel hinge of FIG. 1;
FIG. 3 is a front elevation view of the tilt and swivel hinge of FIG. 1;
FIG. 4 is a rear elevation view of the tilt and swivel hinge of FIG. 1;
FIG. 5 is a top plan view of the tilt and swivel hinge of FIG. 1;
FIG. 6 is a bottom plan view of the tilt and swivel hinge of FIG. 1; and,
FIG. 7 is an elevation view as viewed from the right side of the tilt and swivel hinge of FIG. 1, the left side being a mirror image of the right side.

(21) Appl. No.: **29/453,665**

(22) Filed: **May 1, 2013**

(51) **LOC (10) Cl.** **08-06**

(52) **U.S. Cl.**
USPC **D8/323**

(58) **Field of Classification Search**
USPC D8/323
See application file for complete search history.

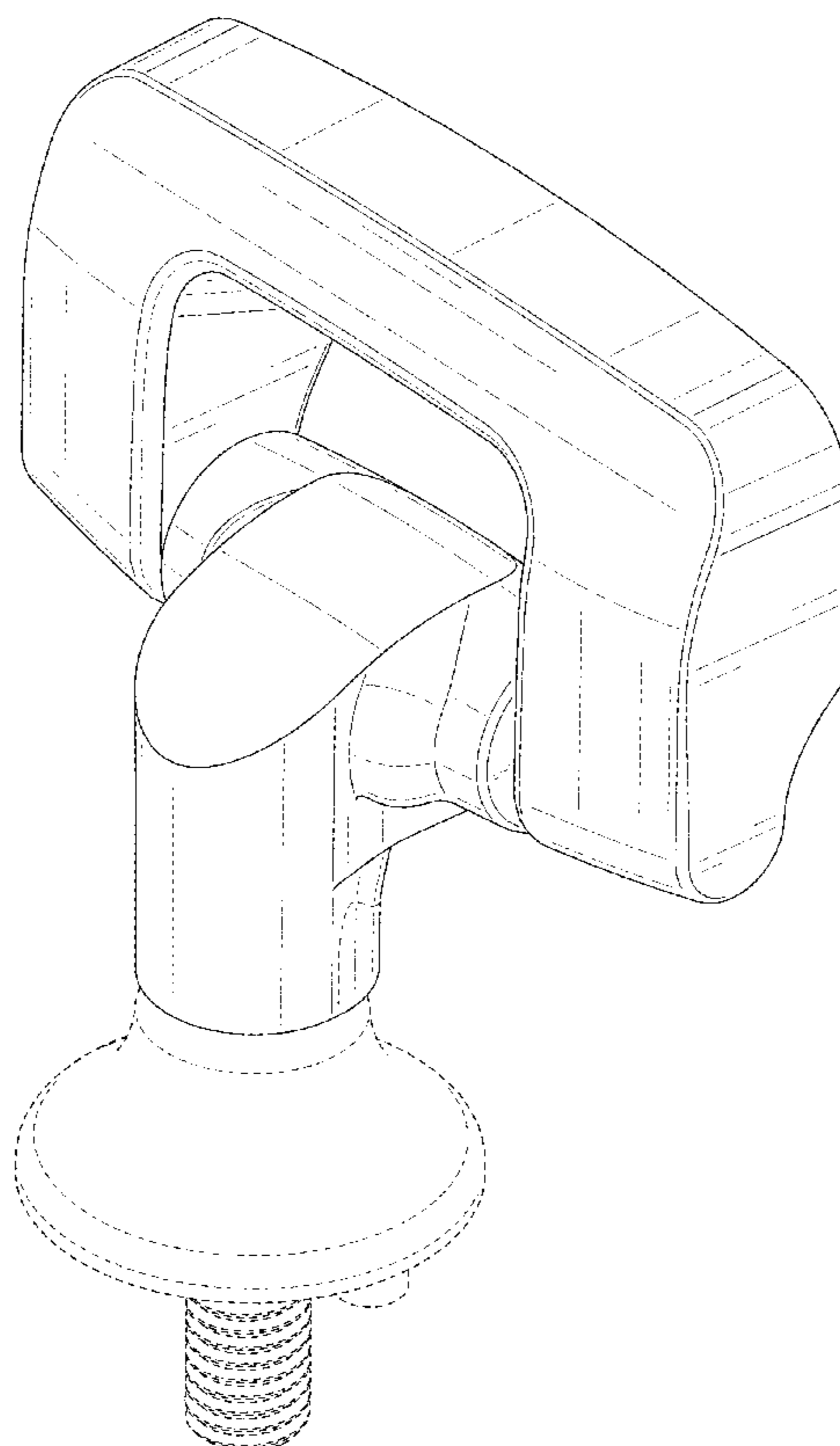
The broken lines showing portions of the tilt and swivel hinge depict environment and form no part of the claim.

(56) **References Cited**

U.S. PATENT DOCUMENTS

7,240,400 B2 * 7/2007 Bonham 16/238
D614,474 S * 4/2010 Edwards et al. D8/326

1 Claim, 7 Drawing Sheets



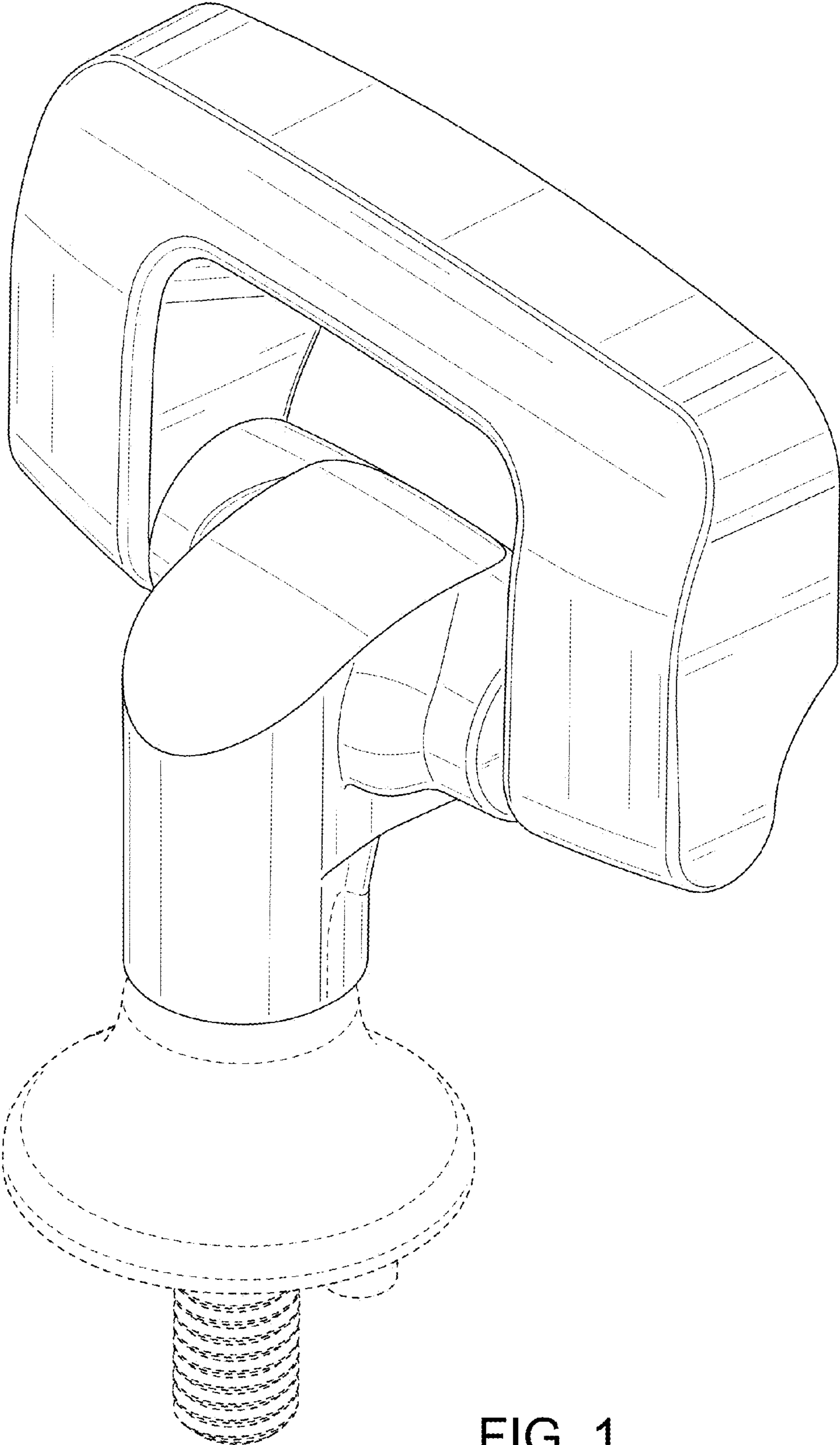


FIG. 1

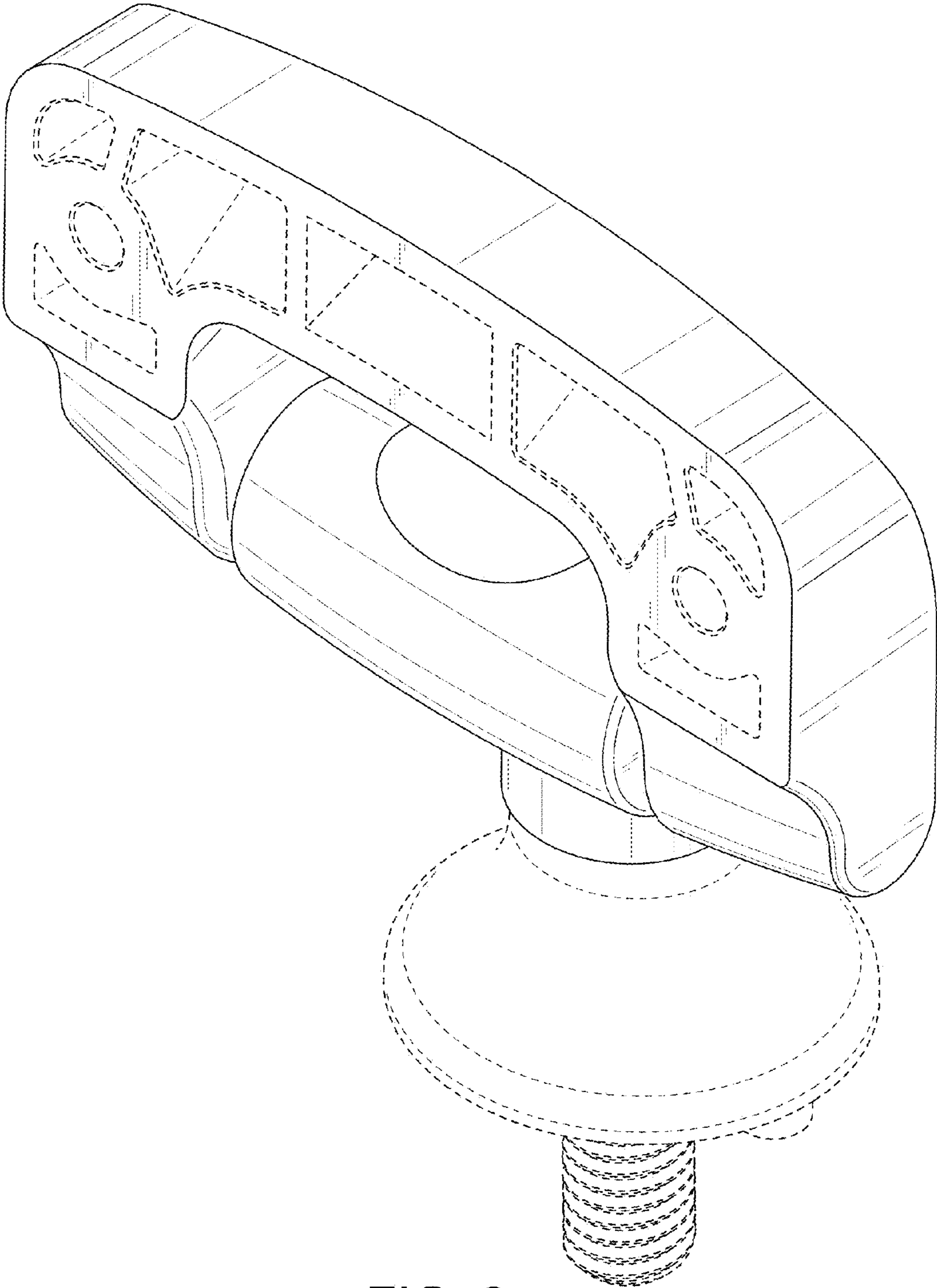


FIG. 2

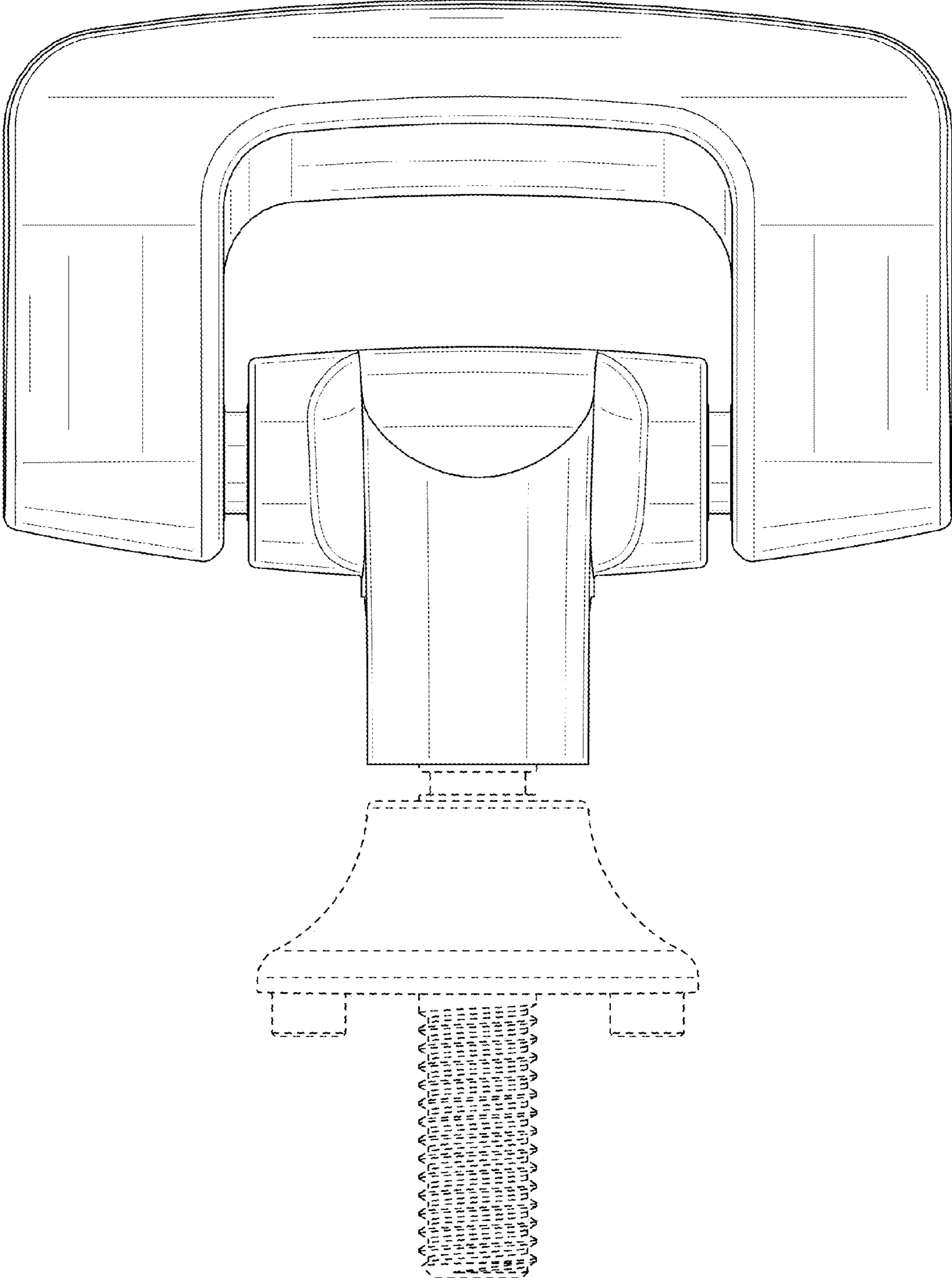


FIG. 3

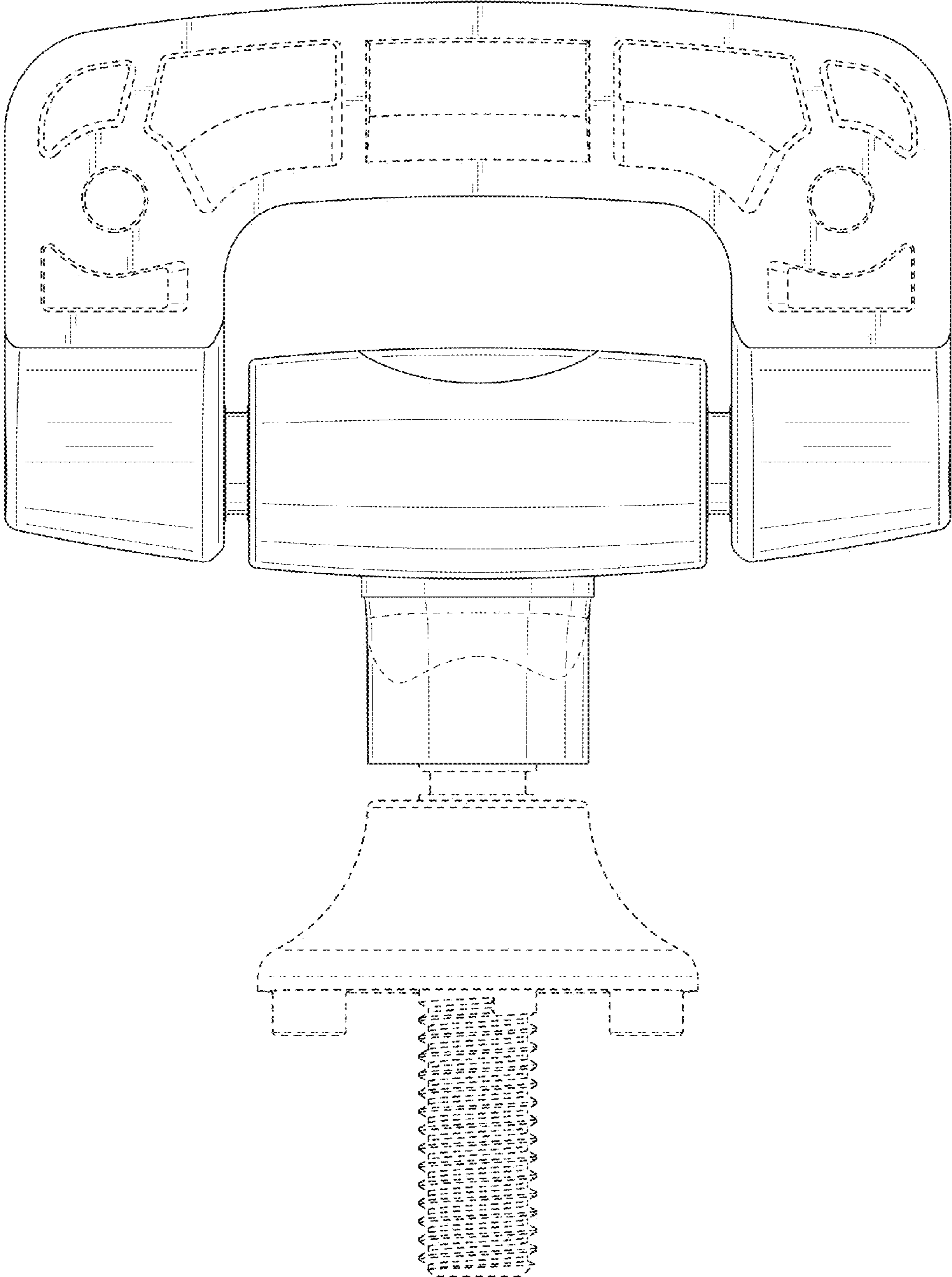


FIG. 4

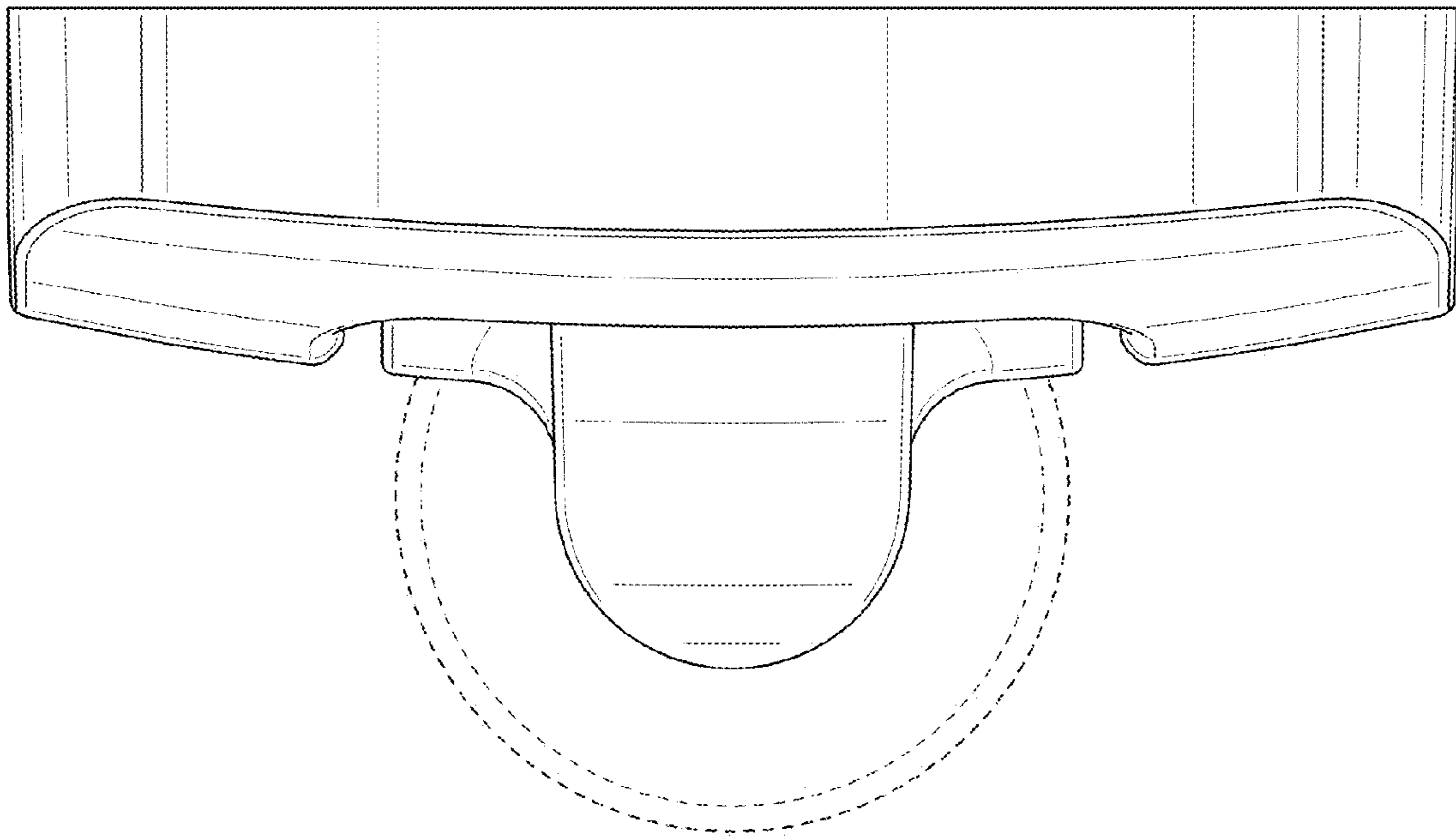


FIG. 5

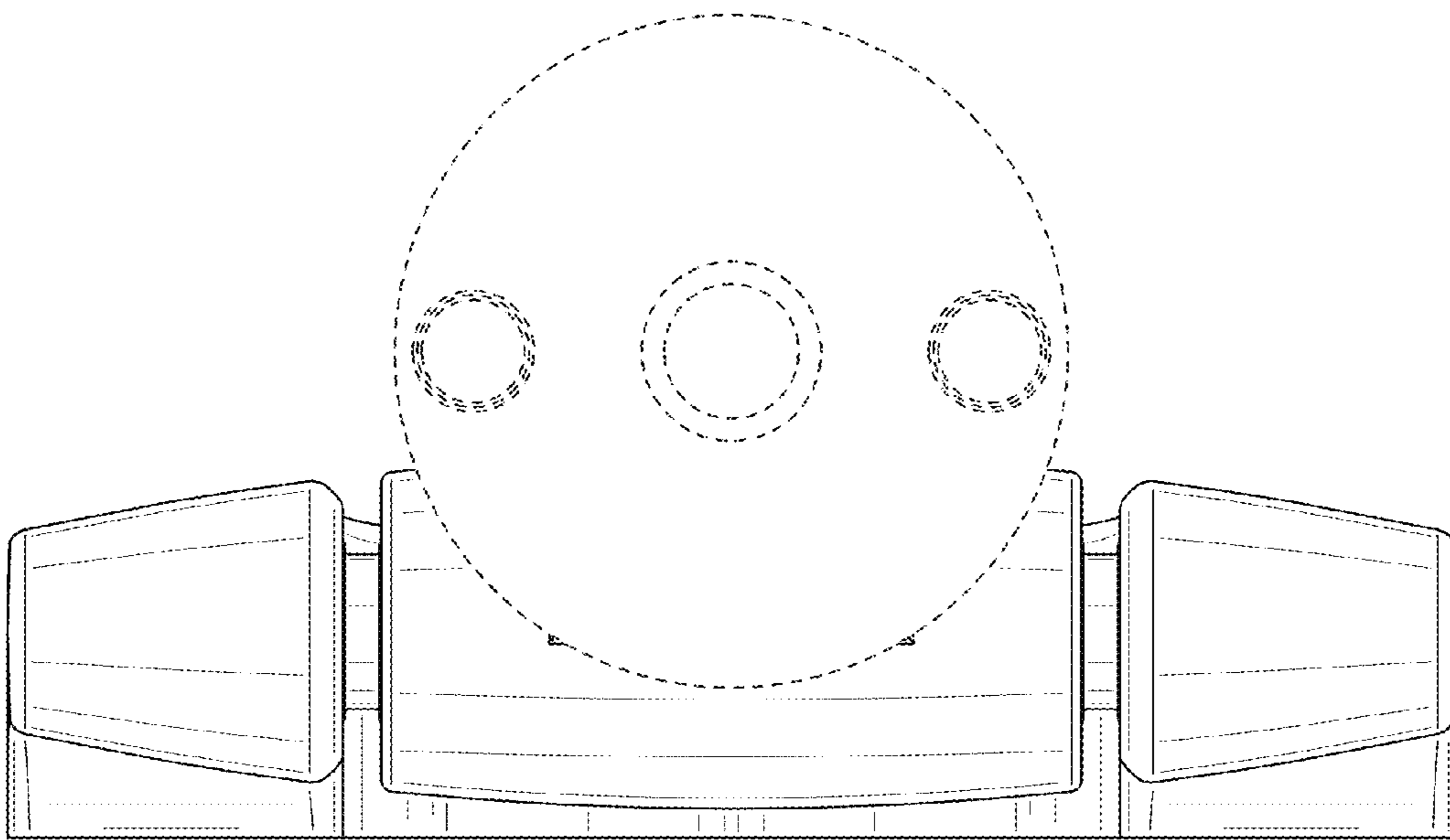


FIG. 6

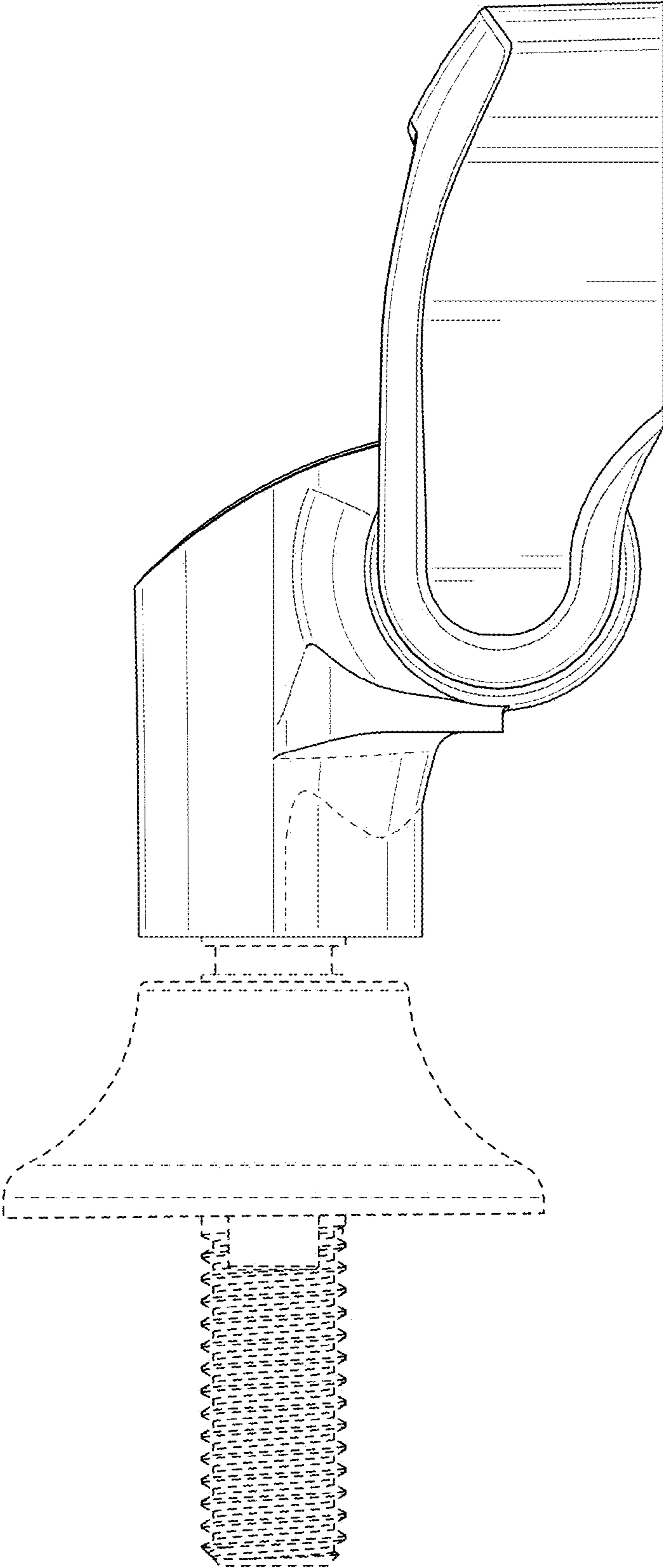


FIG. 7