



US00D756741S

(12) **United States Design Patent**
Redondi

(10) **Patent No.:** **US D756,741 S**

(45) **Date of Patent:** **** May 24, 2016**

(54) **CHISEL**

(71) Applicant: **Robert Bosch GmbH**, Stuttgart (DE)

(72) Inventor: **Paolo Redondi**, Brembate Bergamo (IT)

(73) Assignee: **Robert Bosch GmbH**, Stuttgart, DE
(US)

(**) Term: **14 Years**

(21) Appl. No.: **29/504,575**

(22) Filed: **Oct. 7, 2014**

(30) **Foreign Application Priority Data**

Apr. 10, 2014 (EM) 002444885

(51) **LOC (10) Cl.** **08-03**

(52) **U.S. Cl.**
USPC **D8/70**

(58) **Field of Classification Search**
USPC D8/14, 20, 47, 70; D15/21, 28, 29, 139;
D24/146; D32/46; 30/167, 167.2, 168,
30/366; 299/38.1, 69, 100; 81/15.2
CPC B25D 3/00; B25D 17/02; B25D 2250/305;
B25D 2250/211; B27G 19/00; B27G 19/08;
B27L 7/00; B25G 1/12; B25G 1/00; A61B
17/1604; A01K 97/01; H02G 1/06
See application file for complete search history.

(56) **References Cited**

U.S. PATENT DOCUMENTS

1,570,650 A * 1/1926 Thomson B25D 3/00
125/40
2,392,495 A * 1/1946 Nameth B25D 3/00
30/168
2,910,771 A * 11/1959 Farmer B25D 3/00
125/40
D198,396 S * 6/1964 Wiseman D15/139
3,258,295 A * 6/1966 Ives E01C 23/124
299/100
4,030,553 A * 6/1977 Rockwell B25D 17/11
173/1
D346,103 S * 4/1994 Warner D8/47

D482,252 S * 11/2003 Hyde D8/47
6,981,496 B2 * 1/2006 Szendrovani B25D 17/02
125/40
D637,629 S * 5/2011 Clark D15/21
D648,356 S * 11/2011 Clark D15/29
D689,755 S * 9/2013 Quinn D8/80
D699,089 S * 2/2014 Quinn D8/80
8,769,827 B2 * 7/2014 Powers B25D 3/00
30/167
D715,613 S * 10/2014 Pugh D8/47
2006/0022511 A1 * 2/2006 Rompel B25D 17/02
299/100
2007/0062046 A1 * 3/2007 Hsu B25D 3/00
30/167
2012/0301238 A1 * 11/2012 Quinn B25D 17/02
408/199
2013/0205603 A1 * 8/2013 Schneider B25D 3/00
30/346

* cited by examiner

Primary Examiner — Philip S Hyder

Assistant Examiner — Darlington Ly

(74) *Attorney, Agent, or Firm* — Maginot, Moore & Beck
LLP

(57) **CLAIM**

The ornamental design for a chisel, as shown and described.

DESCRIPTION

FIG. 1 is a perspective view of a chisel showing my new design;

FIG. 2 is a left side elevational view showing the design for the chisel of FIG. 1;

FIG. 3 is a right side elevational view showing the design for the chisel of FIG. 1;

FIG. 4 is a front elevational view showing the design for the chisel of FIG. 1;

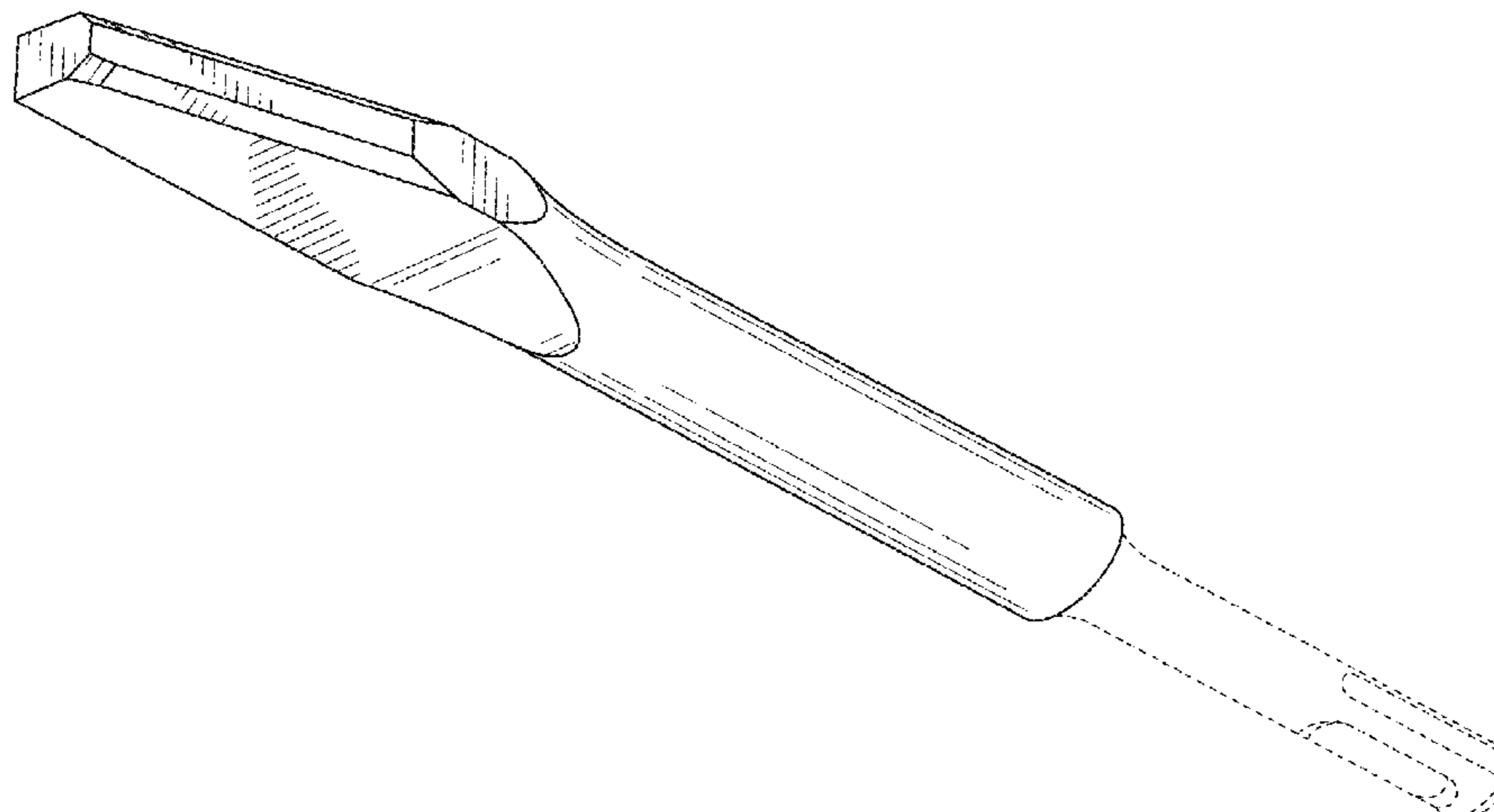
FIG. 5 is a rear elevational view showing the design for the chisel of FIG. 1;

FIG. 6 is a top elevational view showing the design for the chisel of FIG. 1; and,

FIG. 7 is a bottom elevational view showing the design for the chisel of FIG. 1.

The broken line showing of portions of the chisel forms no part of the claimed design.

1 Claim, 7 Drawing Sheets



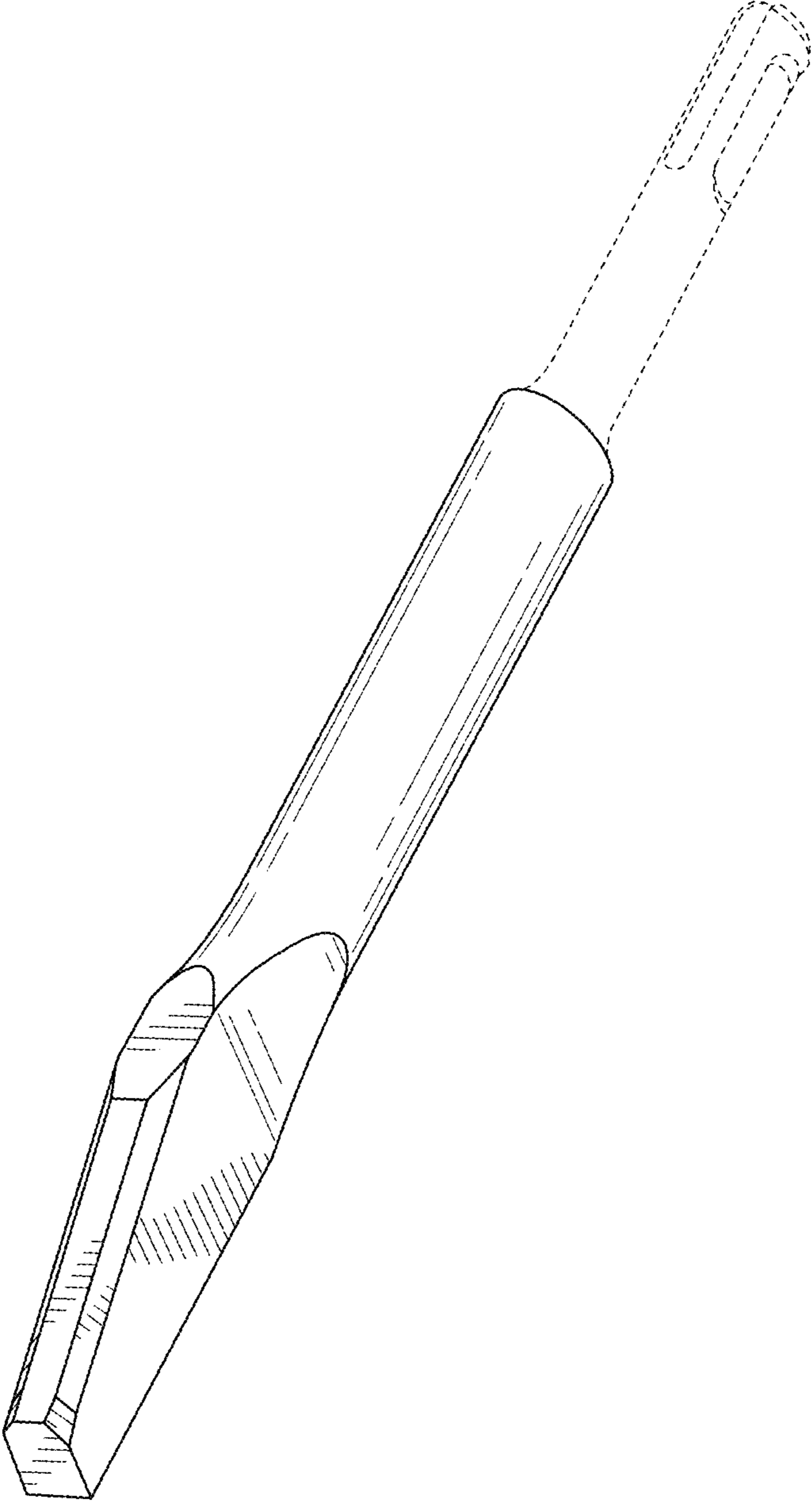


FIG. 1

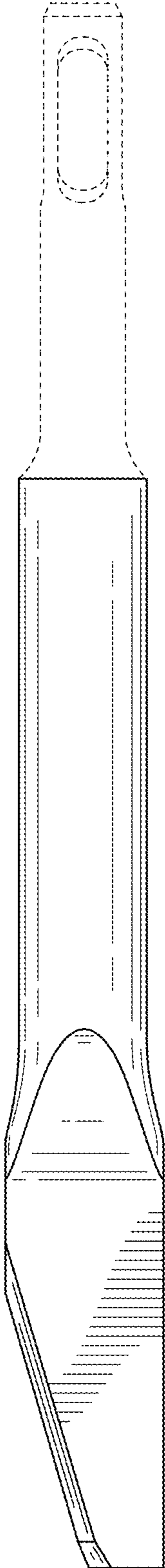


FIG. 2

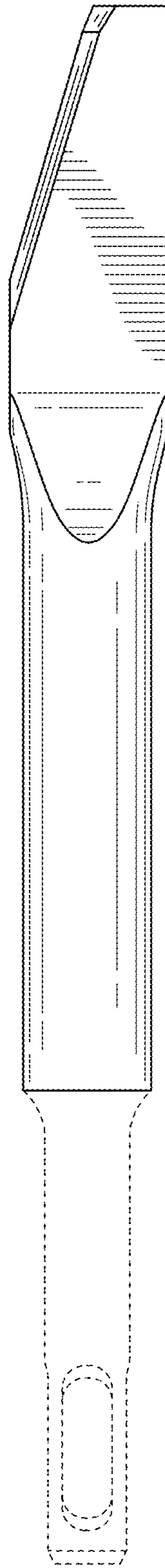


FIG. 3

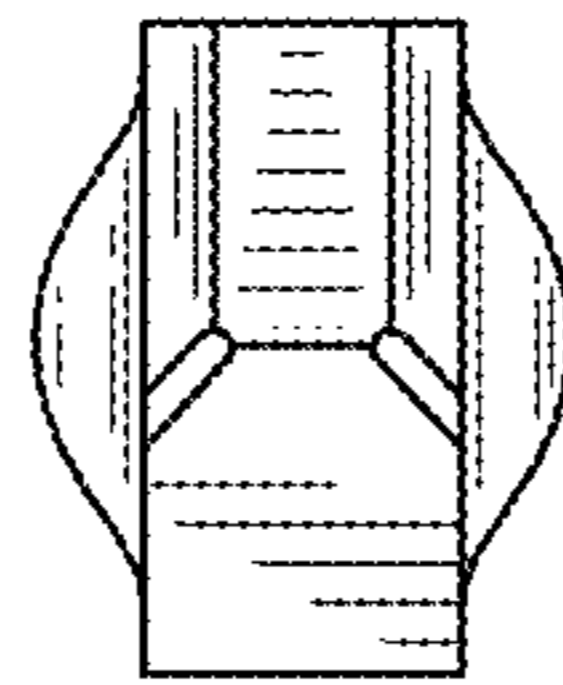


FIG. 4

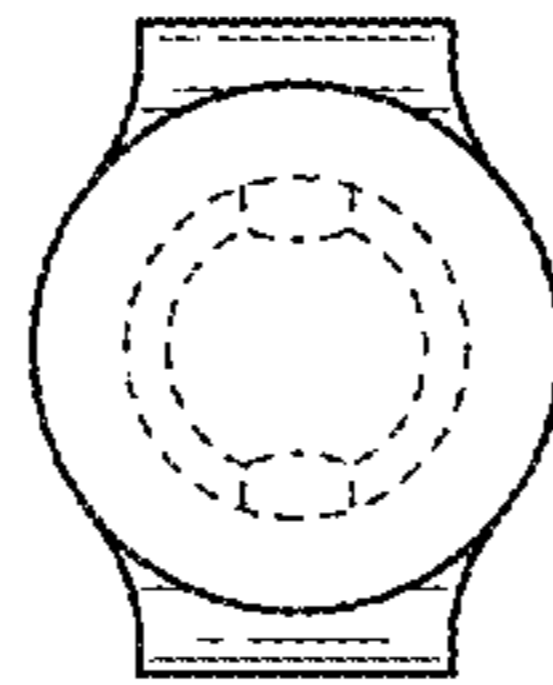


FIG. 5

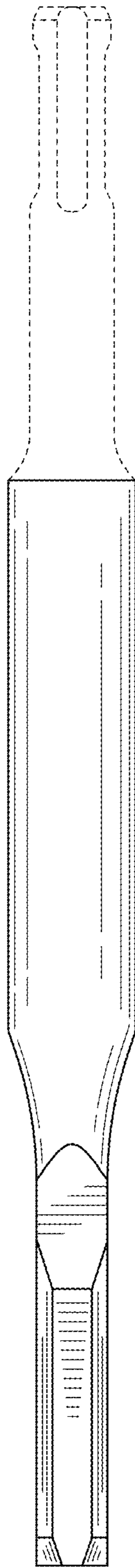


FIG. 6

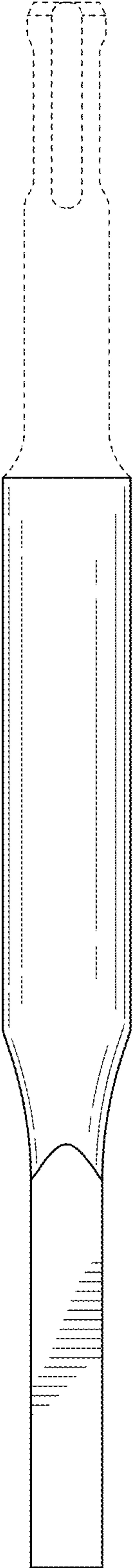


FIG. 7