



US00D756740S

(12) **United States Design Patent**
Caglar

(10) **Patent No.:** **US D756,740 S**

(45) **Date of Patent:** **** May 24, 2016**

(54) **PNEUMATIC NAILER**

(71) Applicant: **STANLEY FASTENING SYSTEMS, L.P.**, East Greenwich, RI (US)

(72) Inventor: **Tolga Caglar**, Middletown, CT (US)

(73) Assignee: **Stanley Fastening Systems, L.P.**, East Greenwich, RI (US)

(**) Term: **14 Years**

(21) Appl. No.: **29/492,664**

(22) Filed: **Jun. 2, 2014**

(51) **LOC (10) Cl.** **08-03**

(52) **U.S. Cl.**
USPC **D8/68**

(58) **Field of Classification Search**
USPC D8/61-70; 173/2, 13, 46, 109, 110, 173/114, 170, 178, 198, 214, 217; 227/8, 227/113, 114, 120, 130, 136, 142; 408/20, 408/35, 58, 67, 117, 124, 125, 234, 241 R; 429/92; 318/139; 362/119
CPC B25C 1/001; B25C 1/04; B25C 1/06; B25C 1/041; B25C 1/047
See application file for complete search history.

(56) **References Cited**

U.S. PATENT DOCUMENTS

4,629,106	A	12/1986	Howard et al.	
4,716,813	A	1/1988	Prudencio	
5,083,694	A	1/1992	Lemos	
5,180,091	A	1/1993	Ota	
5,191,861	A	3/1993	Kellerman et al.	
D338,606	S *	8/1993	Oda	D8/69
5,238,168	A *	8/1993	Oda	227/123
5,816,468	A	10/1998	Yang	
D416,182	S *	11/1999	Kaiser et al.	D8/69
6,016,946	A *	1/2000	Phillips et al.	227/10
6,041,603	A *	3/2000	Phillips	60/632
6,045,024	A *	4/2000	Phillips	227/130

6,158,643	A *	12/2000	Phillips	227/130
D435,769	S	1/2001	Etter et al.	
D435,770	S *	1/2001	Arai	D8/68
6,179,192	B1	1/2001	Weinger et al.	
6,199,739	B1 *	3/2001	Mukoyama et al.	227/8

(Continued)

FOREIGN PATENT DOCUMENTS

CN	1579710	A	2/2005	
EP	2199026	A1 *	6/2010	B25C 1/04

(Continued)

OTHER PUBLICATIONS

Copenheaver—International Search Report re: PCT/US2011/053900—Feb. 21, 2012—Alexandria, Virginia.

(Continued)

Primary Examiner — Philip S Hyder
Assistant Examiner — Darlington Ly
(74) *Attorney, Agent, or Firm* — Rhonda L. Barton

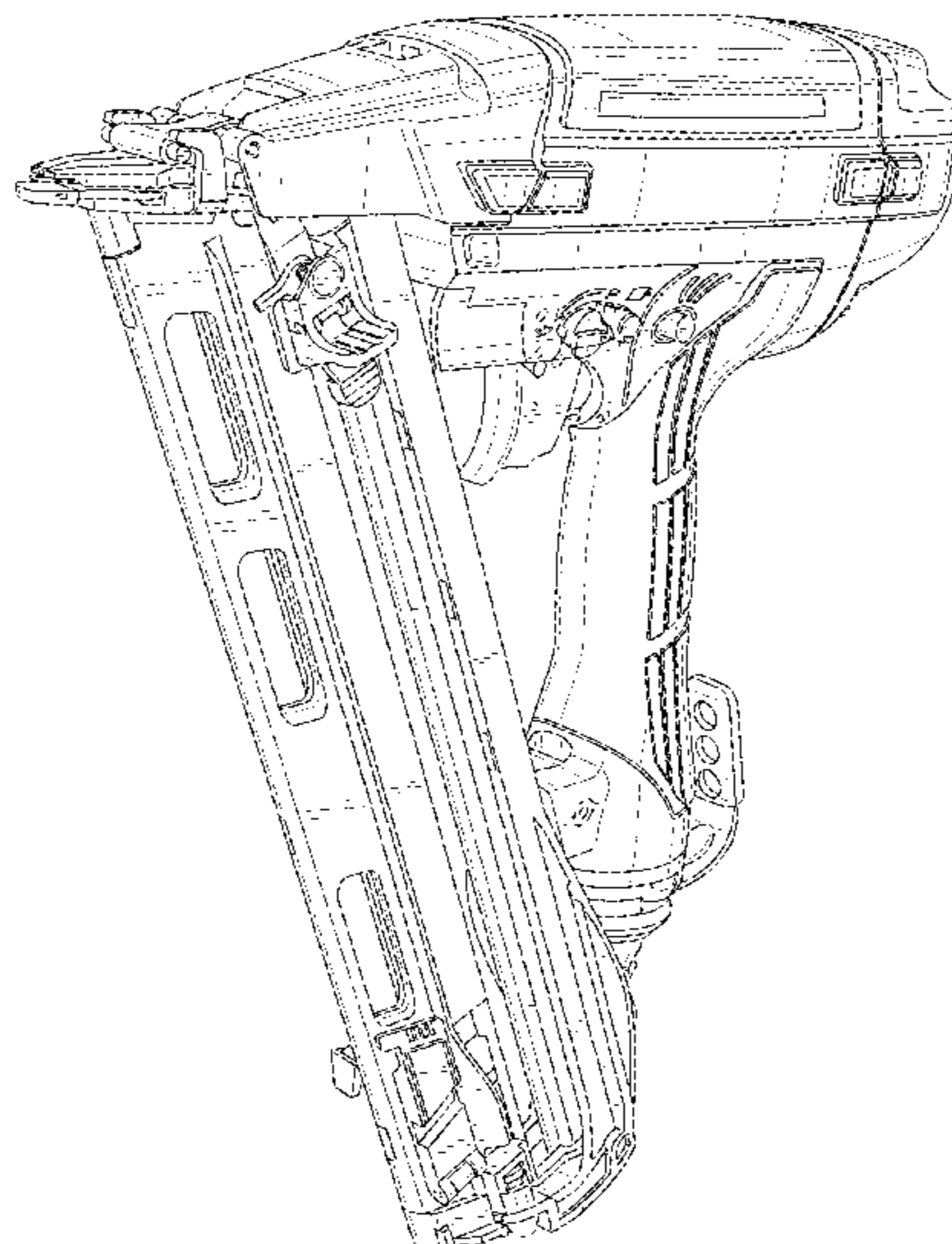
(57) **CLAIM**

The ornamental design for a pneumatic nailer, as shown and described.

DESCRIPTION

FIG. 1 is a top and right-side perspective view of a pneumatic nailer showing my new design;
FIG. 2 is a front elevation view thereof;
FIG. 3 is a rear elevation view thereof;
FIG. 4 is a left-side elevation view thereof;
FIG. 5 is a right-side elevation view thereof;
FIG. 6 is a top plan view thereof; and,
FIG. 7 is a bottom plan view thereof.
The broken lines are included for the purpose of illustrating portions of the pneumatic nailer that form no part of the claimed design.

1 Claim, 7 Drawing Sheets



(56)

References Cited

U.S. PATENT DOCUMENTS

6,209,770 B1 4/2001 Perra
 D447,031 S * 8/2001 Oh D8/63
 D461,694 S * 8/2002 Buck D8/68
 D472,780 S * 4/2003 Matsuoka et al. D8/68
 D475,597 S 6/2003 Arai
 D477,976 S * 8/2003 Liu D8/68
 D478,490 S 8/2003 Wu et al.
 6,609,646 B2 8/2003 Miller et al.
 D479,110 S 9/2003 Nolan et al.
 D499,623 S * 12/2004 Buck D8/68
 6,913,180 B2 7/2005 Schuster
 6,966,476 B2 11/2005 Jalbert et al.
 D512,291 S * 12/2005 Thomas et al. D8/69
 D512,620 S * 12/2005 Thomas et al. D8/69
 D512,622 S 12/2005 Thomas
 D514,911 S * 2/2006 Thomas et al. D8/69
 7,086,573 B1 8/2006 Wen
 7,140,524 B2 11/2006 Hung et al.
 7,143,918 B2 12/2006 Aguirre et al.
 D540,136 S * 4/2007 Aguirre et al. D8/69
 D551,931 S * 10/2007 Leasure D8/69
 D553,931 S 10/2007 Buck
 7,284,685 B1 10/2007 Wojcicki
 D562,664 S * 2/2008 Buck D8/69
 D575,127 S * 8/2008 Buck D8/69
 7,413,103 B1 8/2008 Ho et al.
 7,413,105 B1 8/2008 Ho
 D582,743 S * 12/2008 Buck D8/69
 7,506,787 B2 3/2009 Wu et al.
 7,516,532 B2 4/2009 Wojcicki
 7,753,244 B2 7/2010 Nagata

8,006,881 B2 * 8/2011 Arata et al. 227/120
 8,011,548 B2 9/2011 Chang
 2002/0185515 A1 12/2002 Kubo et al.
 2003/0230622 A1 * 12/2003 Rotharmel 227/120
 2006/0118591 A1 6/2006 Ho
 2006/0249554 A1 11/2006 Butzen et al.
 2007/0125821 A1 6/2007 Wang
 2008/0135596 A1 6/2008 Wu et al.
 2009/0050668 A1 2/2009 Jian
 2010/0206933 A1 8/2010 Wu et al.

FOREIGN PATENT DOCUMENTS

EP 2221148 A2 * 8/2010 B25C 1/04
 GB 2286790 A 8/1995
 JP H08276377 10/1996
 JP H0929663 A 2/1997
 JP 2002346948 A 12/2002
 JP 2005007546 A 1/2005
 JP 2009090384 A * 4/2009 B25C 1/04
 WO 2008023590 A1 2/2008

OTHER PUBLICATIONS

Nash—International Preliminary Report on Patentability re: PCT/US2011/053900—Oct. 22, 2012—Alexandria, Virginia.
 Matzdorf—Supplementary European Search Report re: EP11833099.2—Aug. 27, 2014—The Hague.
 David—European Search Report re: EP13181288.5—Oct. 10, 2013—The Hague.
 Zhu—Chinese Search Report re: CN2011800572787—Sep. 12, 2014—Beijing, China.

* cited by examiner

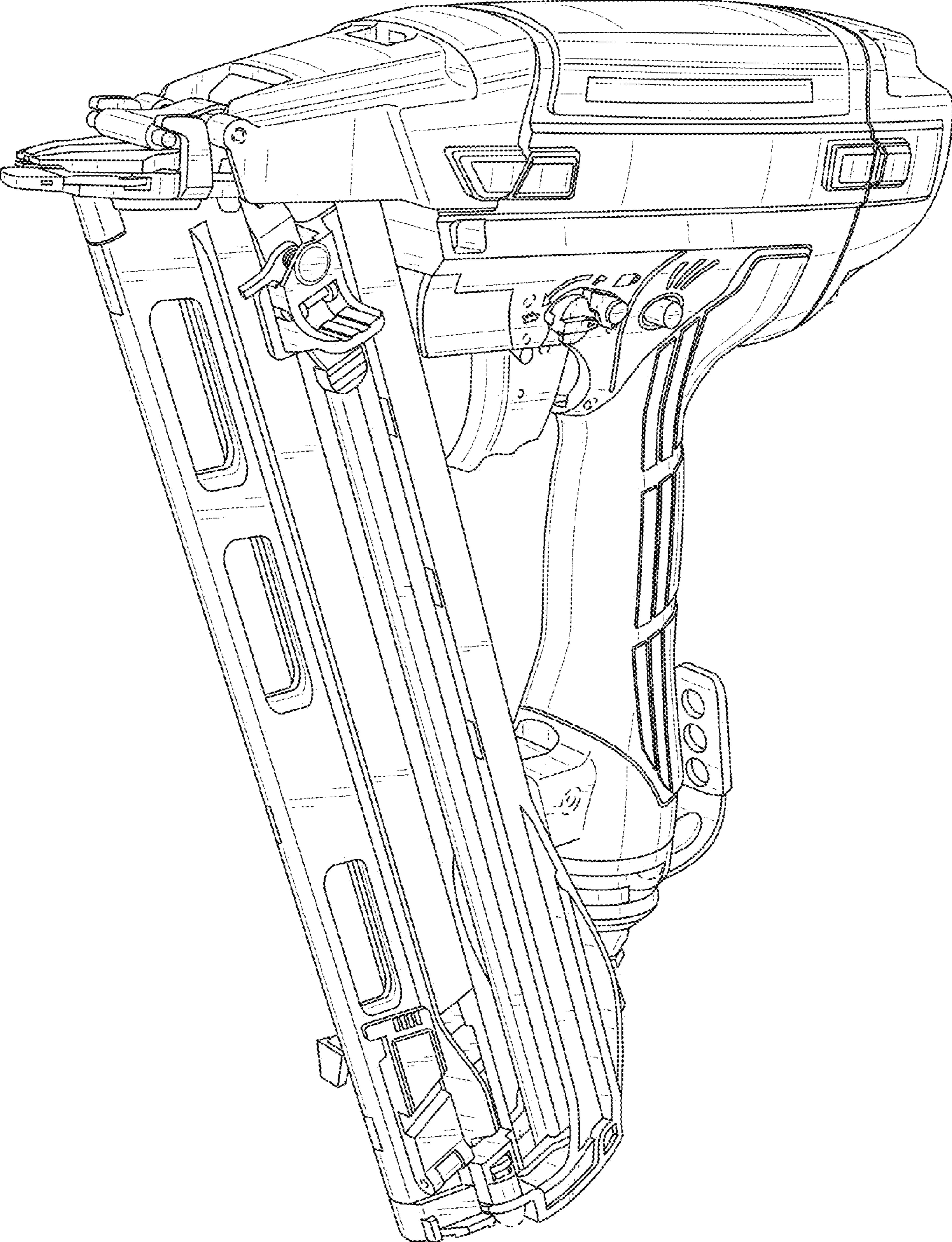


FIG. 1

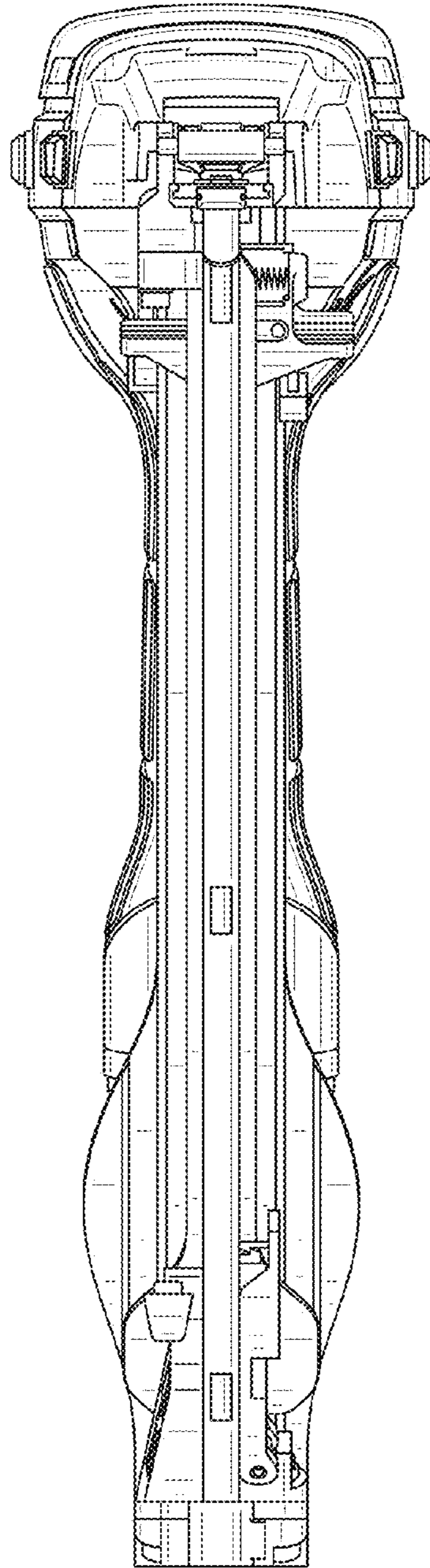


FIG. 2

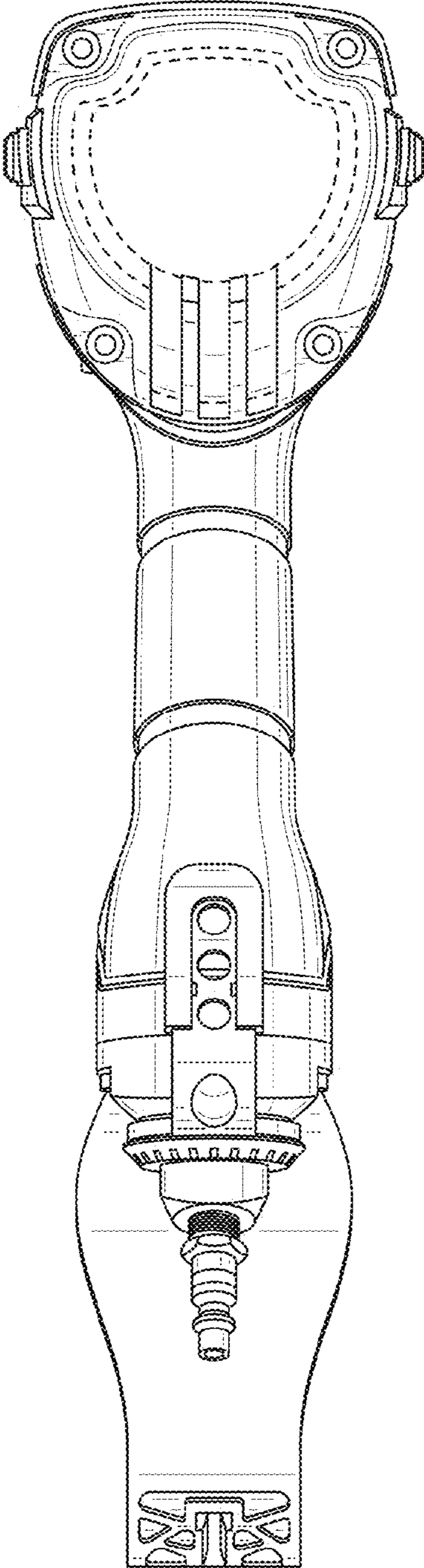


FIG. 3

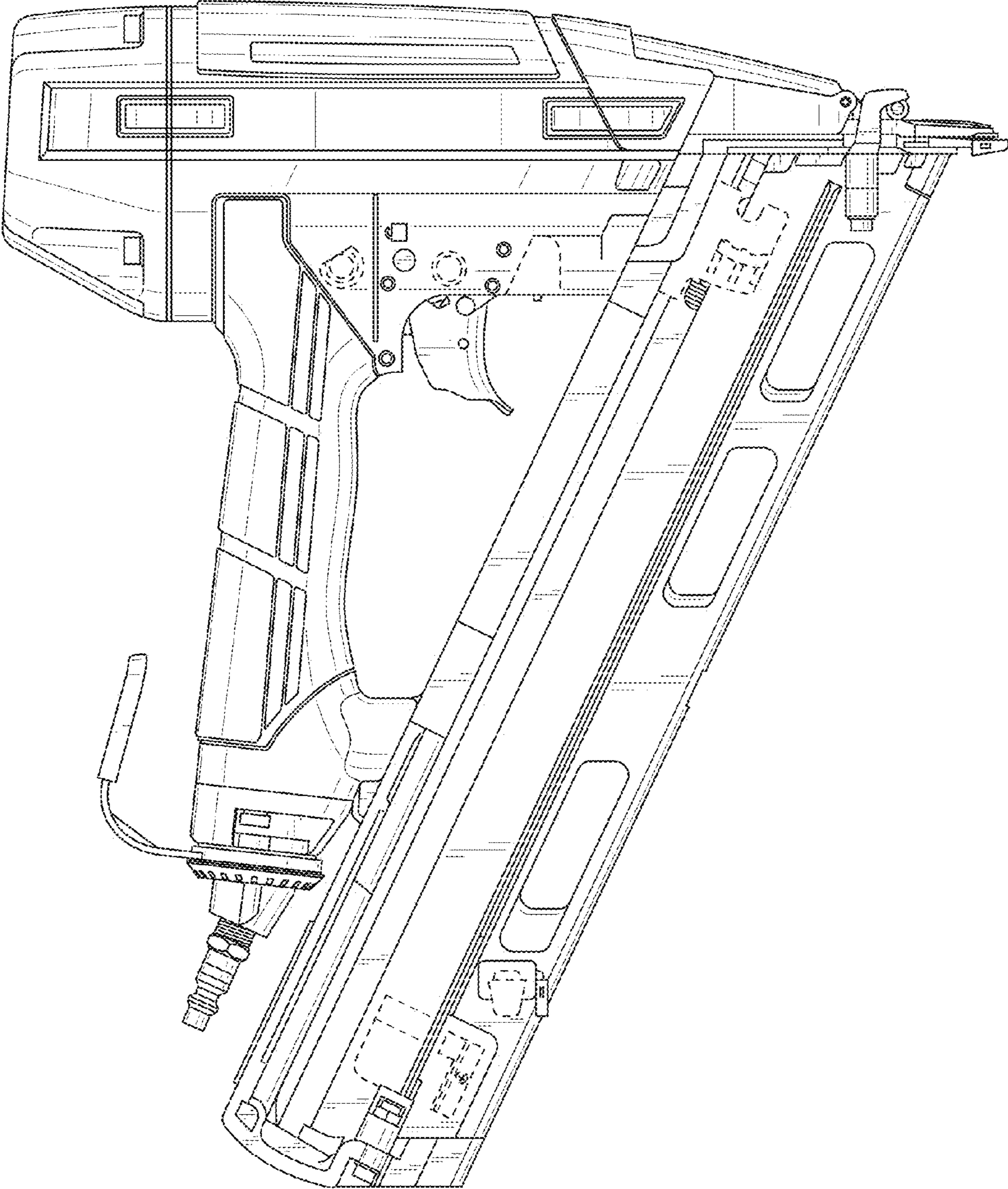


FIG. 4

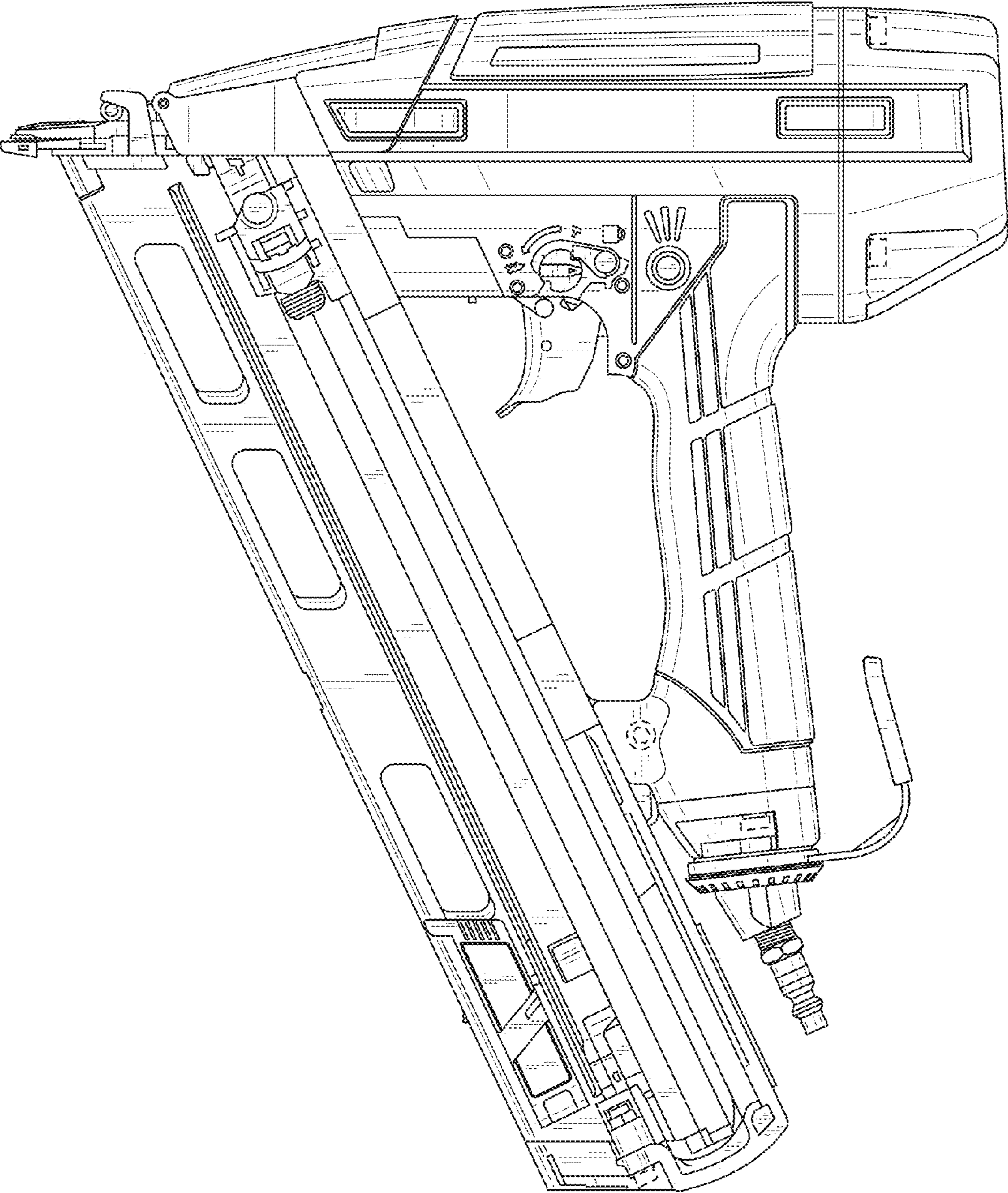


FIG. 5

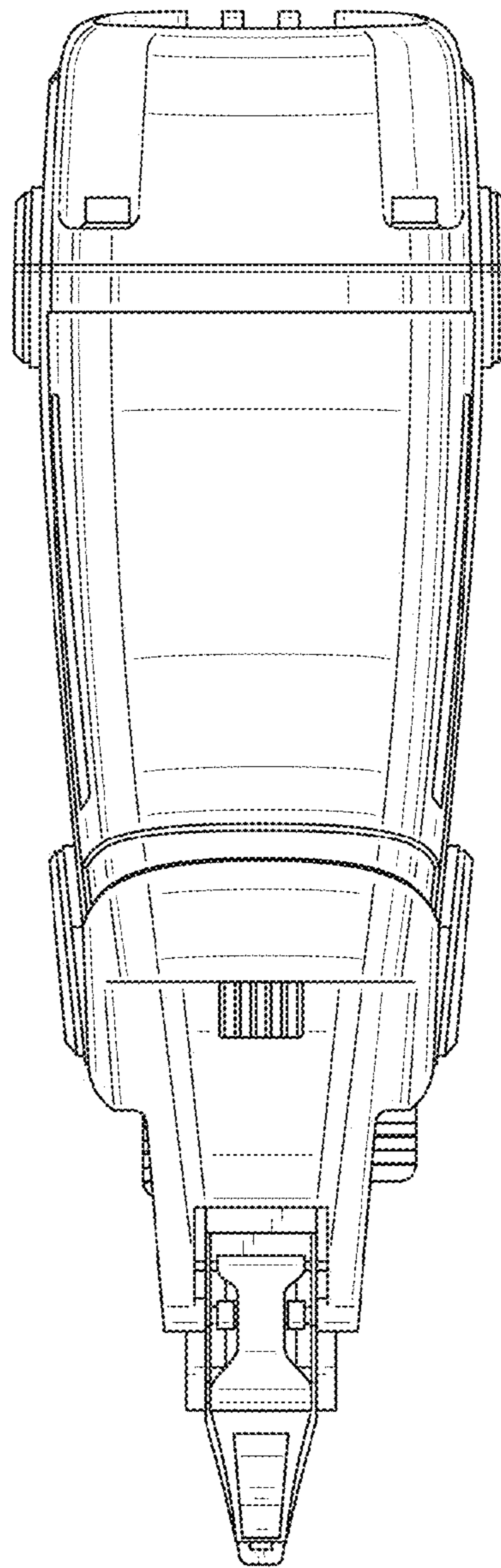


FIG. 6

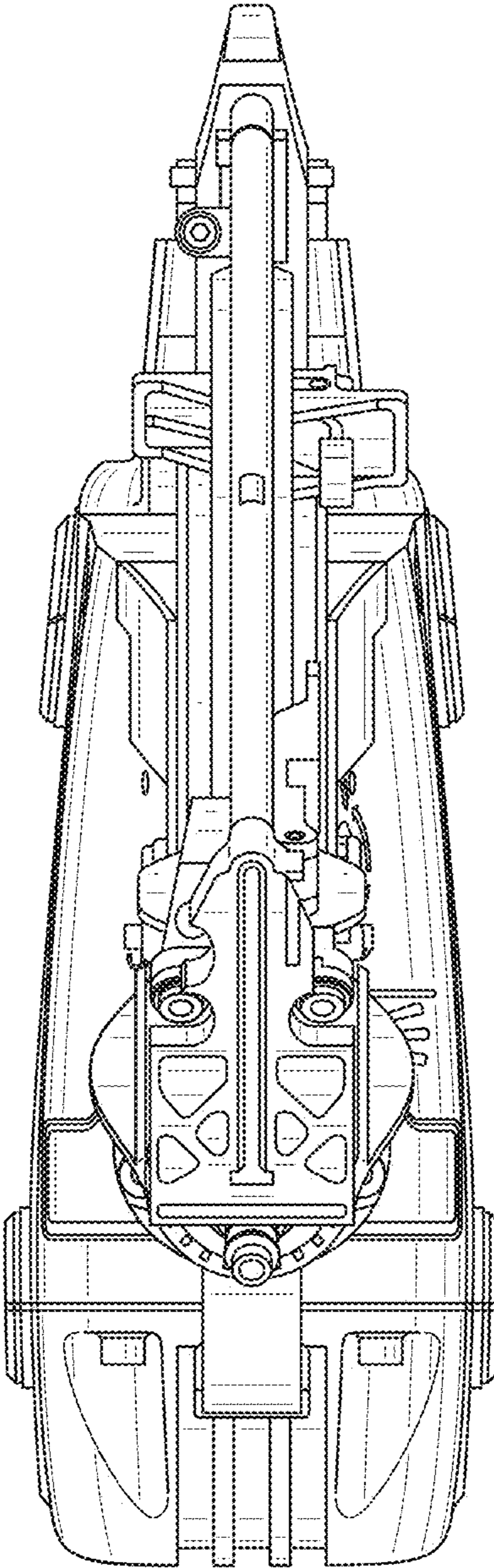


FIG. 7