



US00D756739S

(12) **United States Design Patent**  
**Caglar**

(10) **Patent No.:** **US D756,739 S**  
(45) **Date of Patent:** **\*\* May 24, 2016**

- (54) **PNEUMATIC NAILER**
- (71) Applicant: **STANLEY FASTENING SYSTEMS, L.P.**, East Greenwich, RI (US)
- (72) Inventor: **Tolga Caglar**, Middletown, CT (US)
- (73) Assignee: **Stanley Fastening Systems, L.P.**, East Greenwich, RI (US)
- (\*\*) Term: **14 Years**
- (21) Appl. No.: **29/492,663**
- (22) Filed: **Jun. 2, 2014**
- (51) **LOC (10) Cl.** ..... **08-03**
- (52) **U.S. Cl.**  
USPC ..... **D8/68**
- (58) **Field of Classification Search**  
USPC ..... D8/61-70; 173/2, 13, 46, 109, 110, 173/114, 170, 178, 198, 214, 217; 227/8, 227/113, 114, 120, 130, 136, 142; 408/20, 408/35, 58, 67, 117, 124, 125, 234, 241 R; 429/92; 318/139; 362/119  
CPC ..... B25C 1/001; B25C 1/04; B25C 1/06; B25C 1/041; B25C 1/047  
See application file for complete search history.

- 6,158,643 A \* 12/2000 Phillips ..... 227/130
- D435,769 S 1/2001 Etter et al.
- D435,770 S \* 1/2001 Arai ..... D8/68
- 6,179,192 B1 1/2001 Weinger et al.
- 6,199,739 B1 \* 3/2001 Mukoyama et al. .... 227/8

(Continued)

**FOREIGN PATENT DOCUMENTS**

- CN 1579710 A 2/2005
- EP 2199026 A1 \* 6/2010 ..... B25C 1/04

(Continued)

**OTHER PUBLICATIONS**

Copenheaver—International Search Report re: PCT/US2011/053900—Feb. 21, 2012—Alexandria, Virginia.

(Continued)

*Primary Examiner* — Philip S Hyder  
*Assistant Examiner* — Darlington Ly  
(74) *Attorney, Agent, or Firm* — Rhonda L. Barton

(57) **CLAIM**  
The ornamental design for a pneumatic nailer, as shown and described.

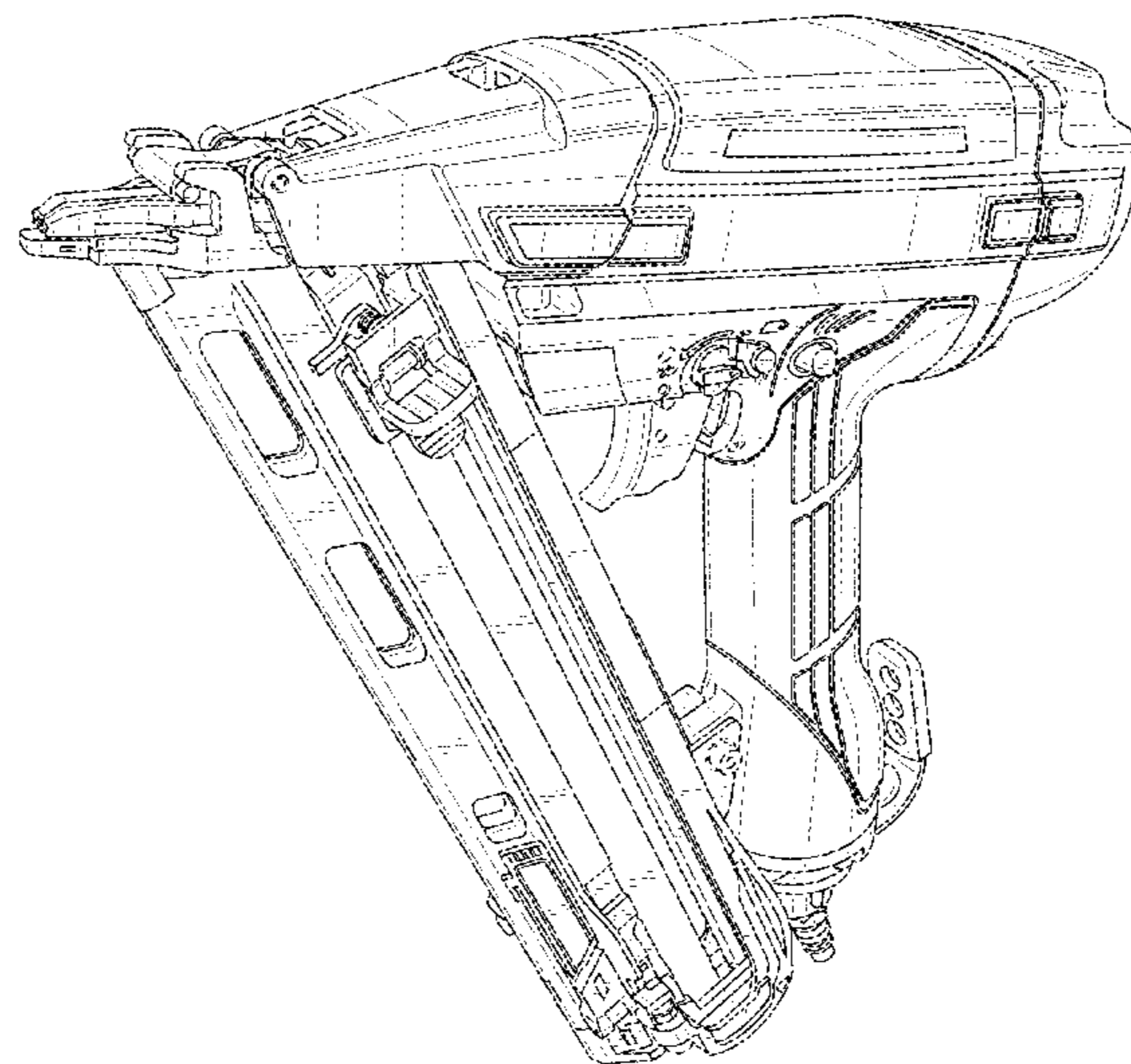
**DESCRIPTION**

FIG. 1 is a top and right-side perspective view of a pneumatic nailer showing my new design;  
FIG. 2 is a front elevation view thereof;  
FIG. 3 is a rear elevation view thereof;  
FIG. 4 is a left-side elevation view thereof;  
FIG. 5 is a right-side elevation view thereof;  
FIG. 6 is a top plan view thereof; and,  
FIG. 7 is a bottom plan view thereof.  
The broken lines are included for the purpose of illustrating portions of the pneumatic nailer that form no part of the claimed design.

**1 Claim, 5 Drawing Sheets**

(56) **References Cited**  
**U.S. PATENT DOCUMENTS**

- 4,629,106 A 12/1986 Howard et al.
- 4,716,813 A 1/1988 Prudencio
- 5,083,694 A 1/1992 Lemos
- 5,180,091 A 1/1993 Ota
- 5,191,861 A 3/1993 Kellerman et al.
- D338,606 S \* 8/1993 Oda ..... D8/69
- 5,238,168 A \* 8/1993 Oda ..... 227/123
- 5,816,468 A 10/1998 Yang
- D416,182 S \* 11/1999 Kaiser et al. .... D8/69
- 6,016,946 A \* 1/2000 Phillips et al. .... 227/10
- 6,041,603 A \* 3/2000 Phillips ..... 60/632
- 6,045,024 A \* 4/2000 Phillips ..... 227/130



(56)

References Cited

U.S. PATENT DOCUMENTS

6,209,770 B1 4/2001 Perra  
 D447,031 S \* 8/2001 Oh ..... D8/63  
 D461,694 S \* 8/2002 Buck ..... D8/68  
 D472,780 S \* 4/2003 Matsuoka et al. .... D8/68  
 D475,597 S 6/2003 Arai  
 D477,976 S \* 8/2003 Liu ..... D8/68  
 D478,490 S 8/2003 Wu et al.  
 6,609,646 B2 8/2003 Miller et al.  
 D479,110 S 9/2003 Nolan et al.  
 D499,623 S \* 12/2004 Buck ..... D8/68  
 6,913,180 B2 7/2005 Schuster  
 6,966,476 B2 11/2005 Jalbert et al.  
 D512,291 S \* 12/2005 Thomas et al. .... D8/69  
 D512,620 S \* 12/2005 Thomas et al. .... D8/69  
 D512,622 S 12/2005 Thomas  
 D514,911 S \* 2/2006 Thomas et al. .... D8/69  
 7,086,573 B1 8/2006 Wen  
 7,140,524 B2 11/2006 Hung et al.  
 7,143,918 B2 12/2006 Aguirre et al.  
 D540,136 S \* 4/2007 Aguirre et al. .... D8/69  
 D551,931 S \* 10/2007 Leasure ..... D8/69  
 D553,931 S 10/2007 Buck  
 7,284,685 B1 10/2007 Wojcicki  
 D562,664 S \* 2/2008 Buck ..... D8/69  
 D575,127 S \* 8/2008 Buck ..... D8/69  
 7,413,103 B1 8/2008 Ho et al.  
 7,413,105 B1 8/2008 Ho  
 D582,743 S \* 12/2008 Buck ..... D8/69  
 7,506,787 B2 3/2009 Wu et al.  
 7,516,532 B2 4/2009 Wojcicki  
 7,753,244 B2 7/2010 Nagata

8,006,881 B2 \* 8/2011 Arata et al. .... 227/120  
 8,011,548 B2 9/2011 Chang  
 2002/0185515 A1 12/2002 Kubo et al.  
 2003/0230622 A1 \* 12/2003 Rotharmel ..... 227/120  
 2006/0118591 A1 6/2006 Ho  
 2006/0249554 A1 11/2006 Butzen et al.  
 2007/0125821 A1 6/2007 Wang  
 2008/0135596 A1 6/2008 Wu et al.  
 2009/0050668 A1 2/2009 Jian  
 2010/0206933 A1 8/2010 Wu et al.

FOREIGN PATENT DOCUMENTS

EP 2221148 A2 \* 8/2010 ..... B25C 1/04  
 GB 2286790 A 8/1995  
 JP H08276377 10/1996  
 JP H0929663 A 2/1997  
 JP 2002346948 A 12/2002  
 JP 2005007546 A 1/2005  
 JP 2009090384 A \* 4/2009 ..... B25C 1/04  
 WO 2008023590 A1 2/2008

OTHER PUBLICATIONS

Nash—International Preliminary Report on Patentability re: PCT/US2011/053900—Oct. 22, 2012—Alexandria, Virginia.  
 Matzdorf—Supplementary European Search Report re: EP11833099.2—Aug. 27, 2014—The Hague.  
 David—European Search Report re: EP13181288.5—Oct. 10, 2013—The Hague.  
 Zhu—Chinese Search Report re: CN2011800572787—Sep. 12, 2014—Beijing, China.

\* cited by examiner



FIG. 1

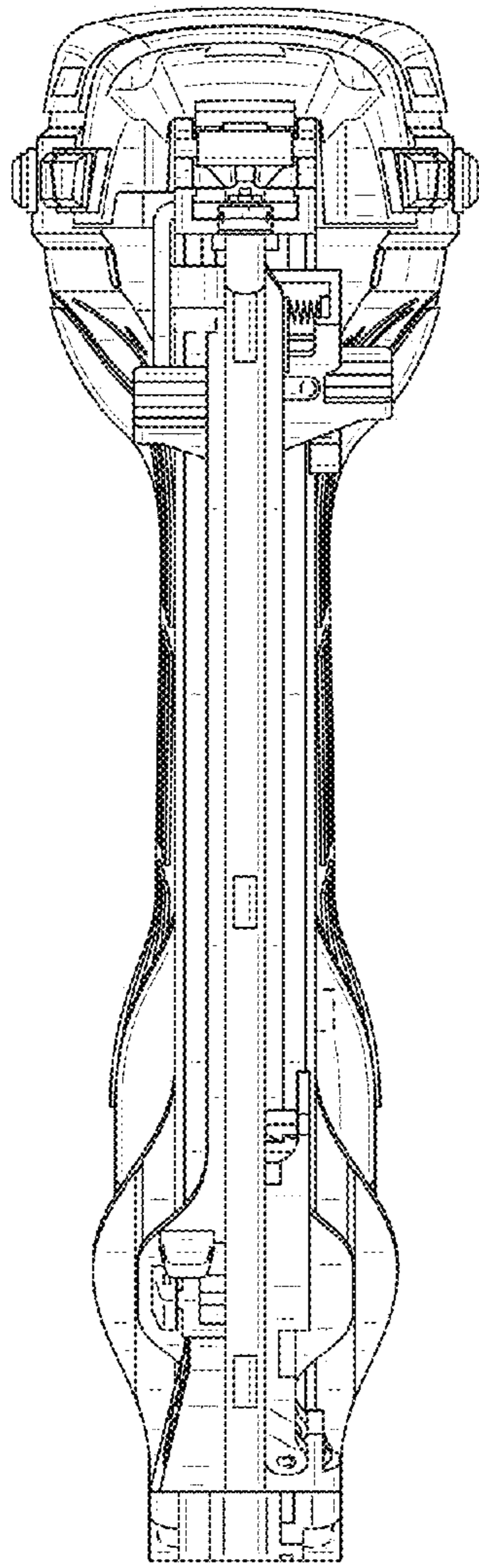


FIG. 2

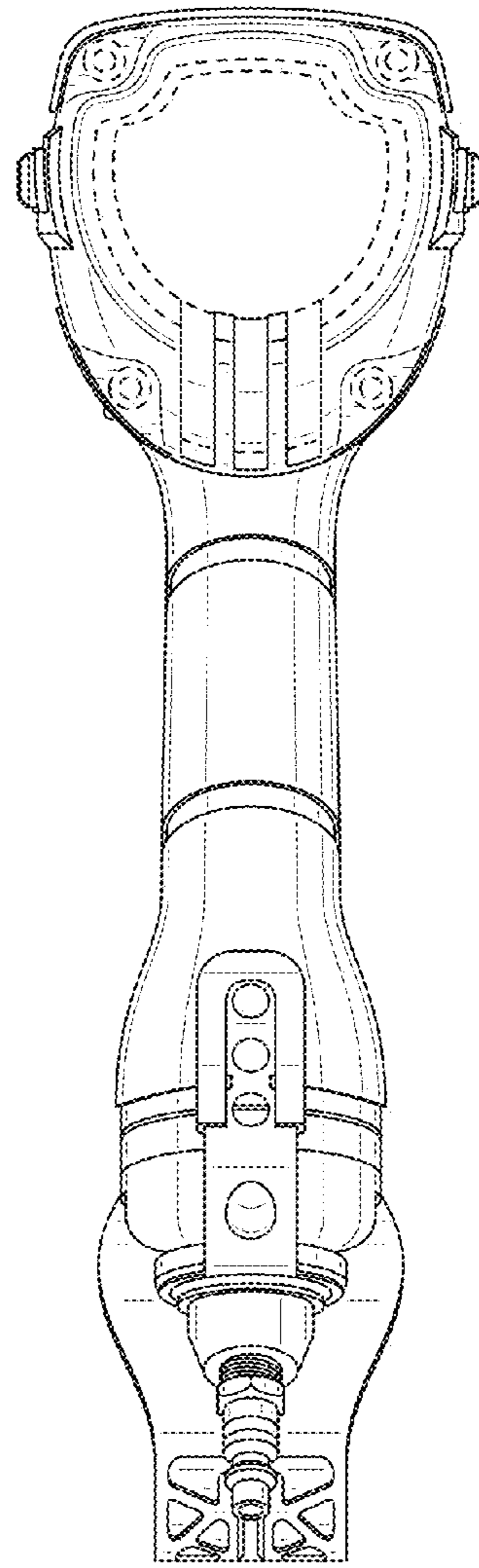


FIG. 3

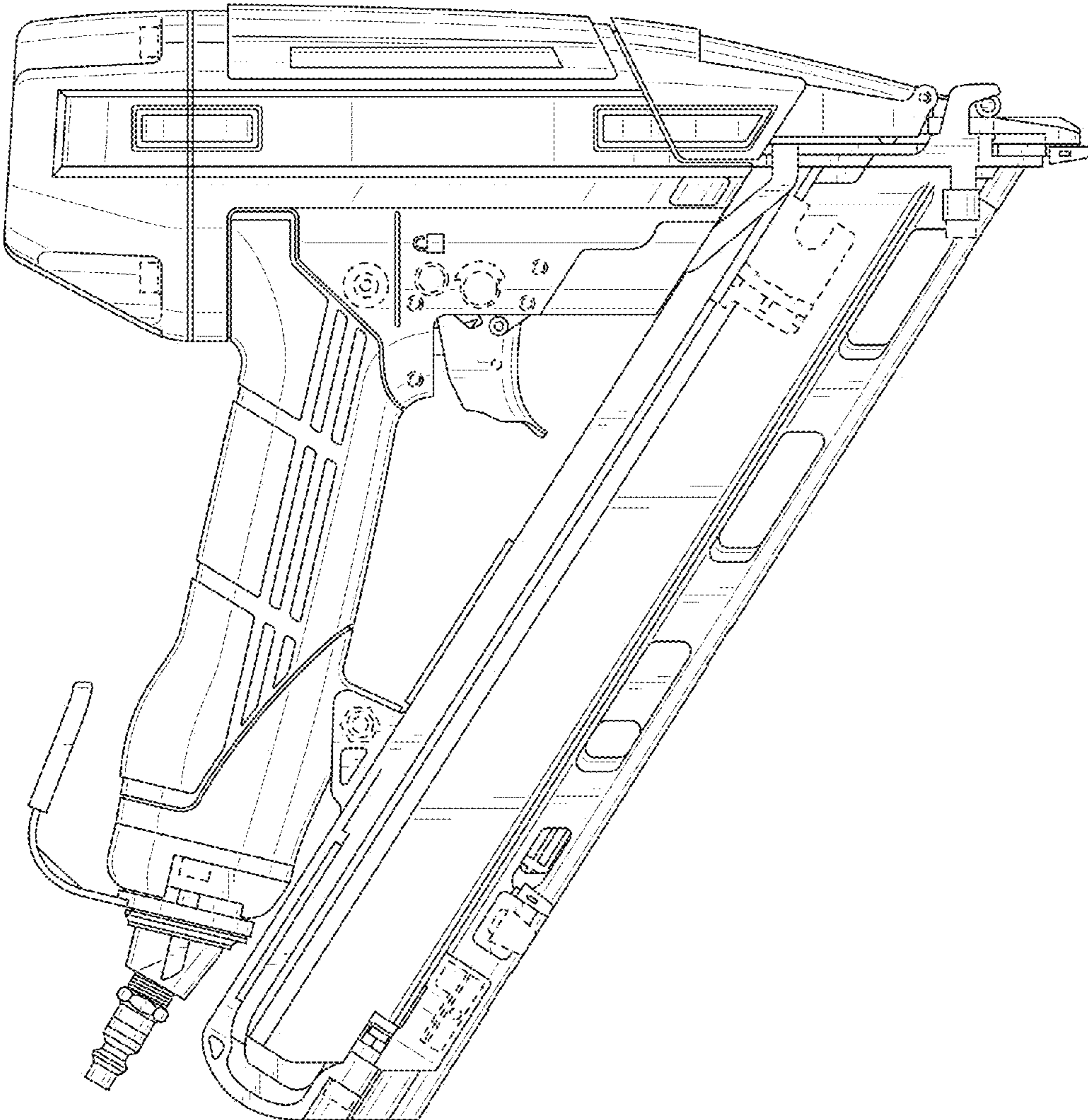


FIG. 4

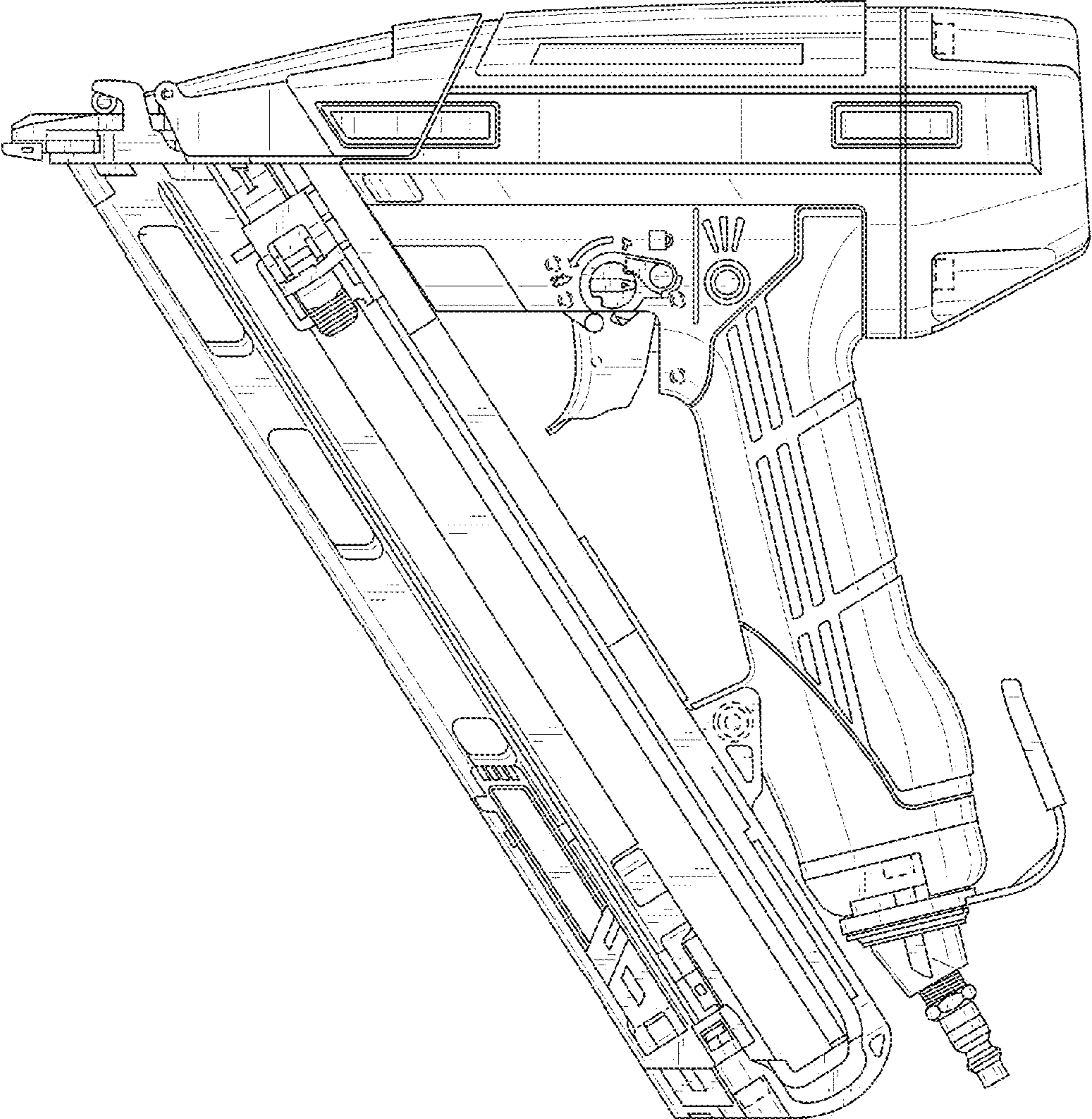


FIG. 5

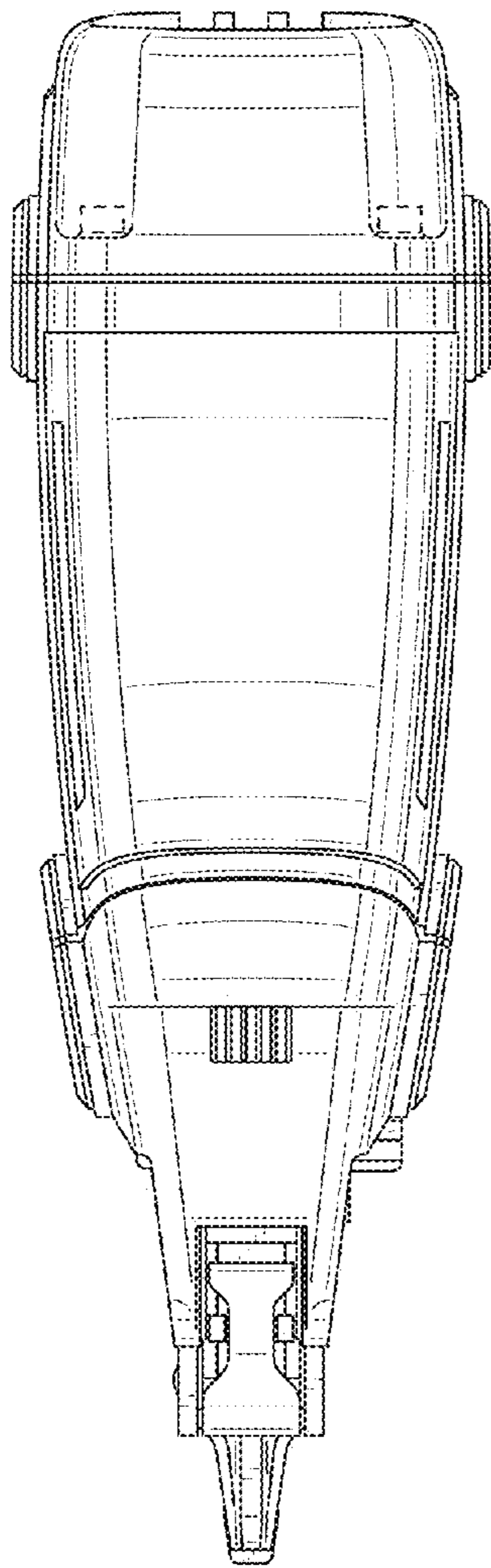


FIG. 6

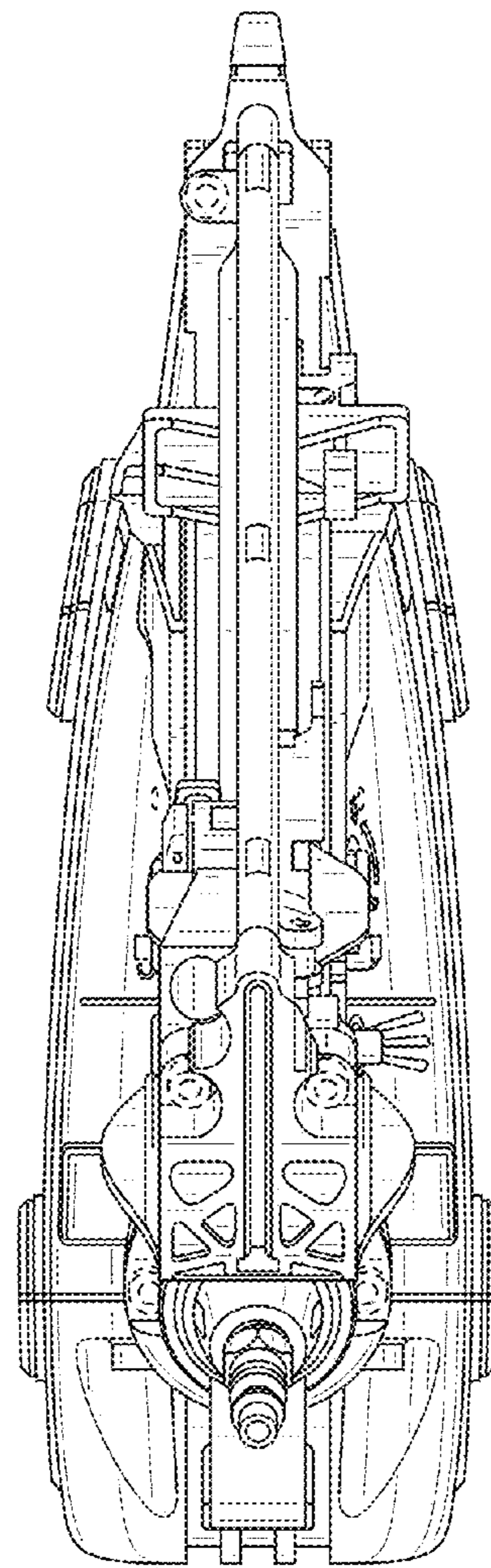


FIG. 7