



US00D756738S

(12) **United States Design Patent**
Itoh

(10) **Patent No.:** **US D756,738 S**
(45) **Date of Patent:** **** May 24, 2016**

(54) **CIRCULAR SAW**

(71) Applicant: **Hitachi Koki Co., Ltd.**, Minato-Ku,
Tokyo (JP)

(72) Inventor: **Takafumi Itoh**, Hitachinaka (JP)

(73) Assignee: **Hitachi Koki Co., Ltd.**, Minato-Ku,
Tokyo (JP)

(**) Term: **14 Years**

(21) Appl. No.: **29/519,697**

(22) Filed: **Mar. 6, 2015**

(30) **Foreign Application Priority Data**

Sep. 5, 2014 (JP) 2014-019705

(51) **LOC (10) Cl.** **08-03**

(52) **U.S. Cl.**
USPC **D8/66**

(58) **Field of Classification Search**
USPC D8/69, 68, 67, 66, 64, 61, 70;
83/698.41, 747, 166.3, 374, 373, 375,
83/376, 391, 377, 390, 388, 389;
125/13.01; 144/218
CPC B27B 9/00; B27B 9/02; B27B 5/02;
B27B 5/18; B27B 33/08; B28D 1/04; B28D
1/045; B23D 45/00

See application file for complete search history.

(56) **References Cited**

U.S. PATENT DOCUMENTS

D653,513 S *	2/2012	Tirone	D8/66
D654,340 S *	2/2012	Kawase	D8/66
D660,121 S *	5/2012	Valk	D8/66
D685,243 S *	7/2013	Waldron	D8/66
D699,088 S *	2/2014	Abe	D8/66
D703,019 S *	4/2014	Faile, Jr.	D8/66
D703,508 S *	4/2014	Kawase	D8/66
D705,629 S *	5/2014	Schoch	D8/66
D710,172 S *	8/2014	Tschopp	D8/66
D713,702 S *	9/2014	Perez	D8/66
D731,869 S *	6/2015	Hoggarth	D8/66

* cited by examiner

Primary Examiner — Austin Murphy

(74) *Attorney, Agent, or Firm* — Banner & Witcoff, Ltd.

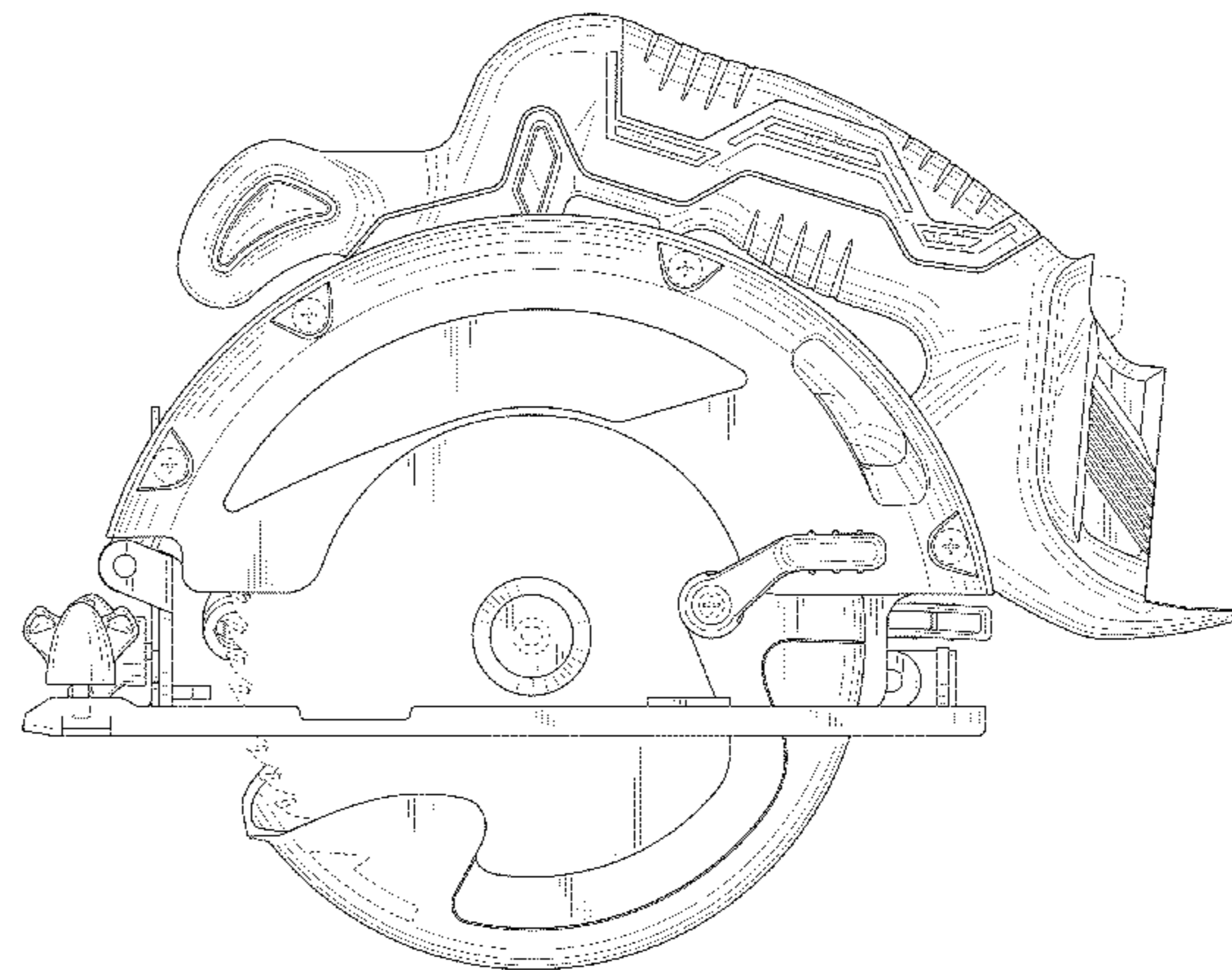
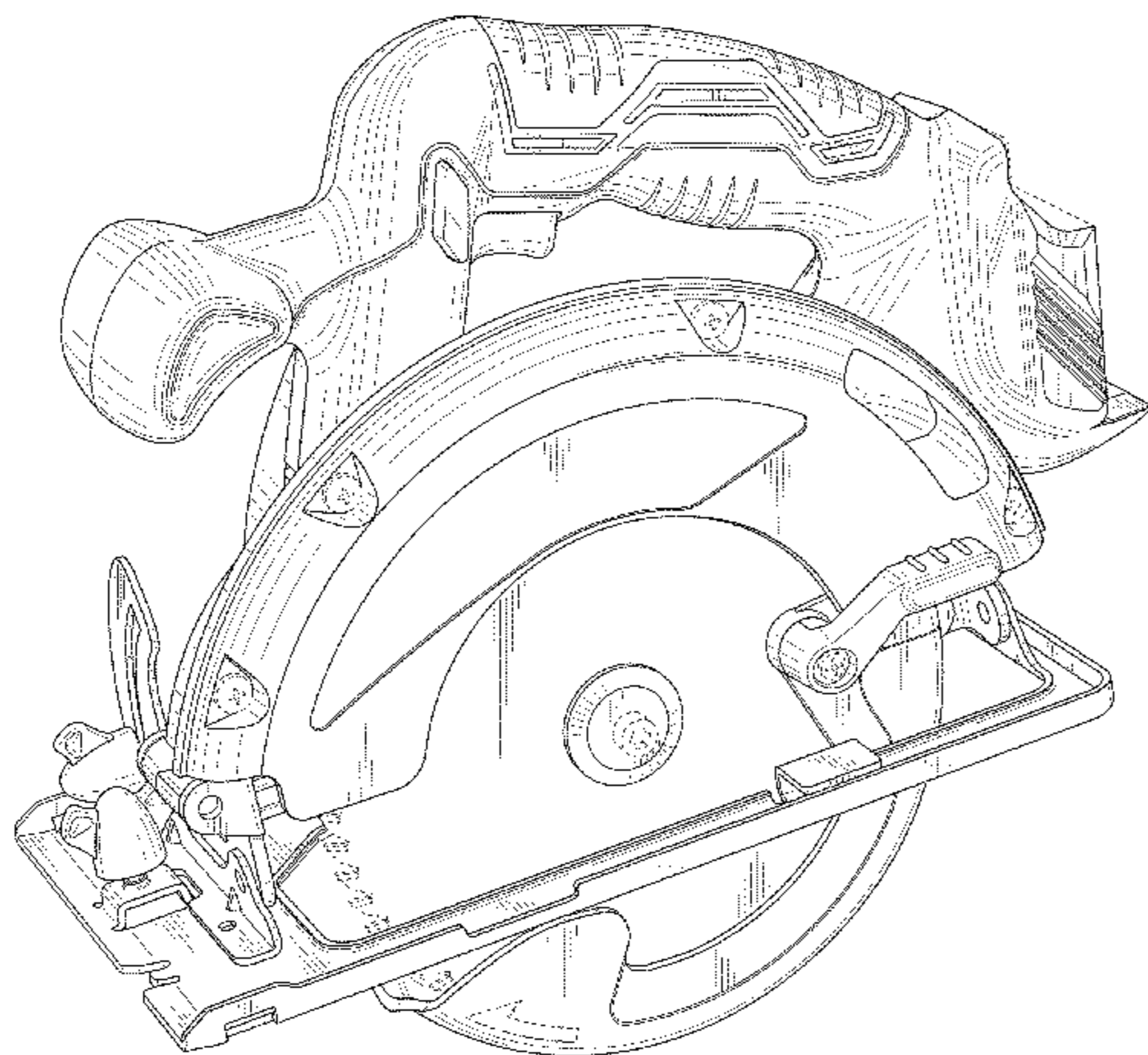
(57) **CLAIM**

The ornamental design for a circular saw, as shown and described.

DESCRIPTION

FIG. 1 is a front, left, upper perspective view of a circular saw showing my new design;
FIG. 2 is a front view thereof;
FIG. 3 is a rear view thereof;
FIG. 4 is a left side view thereof;
FIG. 5 is a right side view thereof;
FIG. 6 is a top plan view thereof; and,
FIG. 7 is a bottom view thereof.

1 Claim, 7 Drawing Sheets



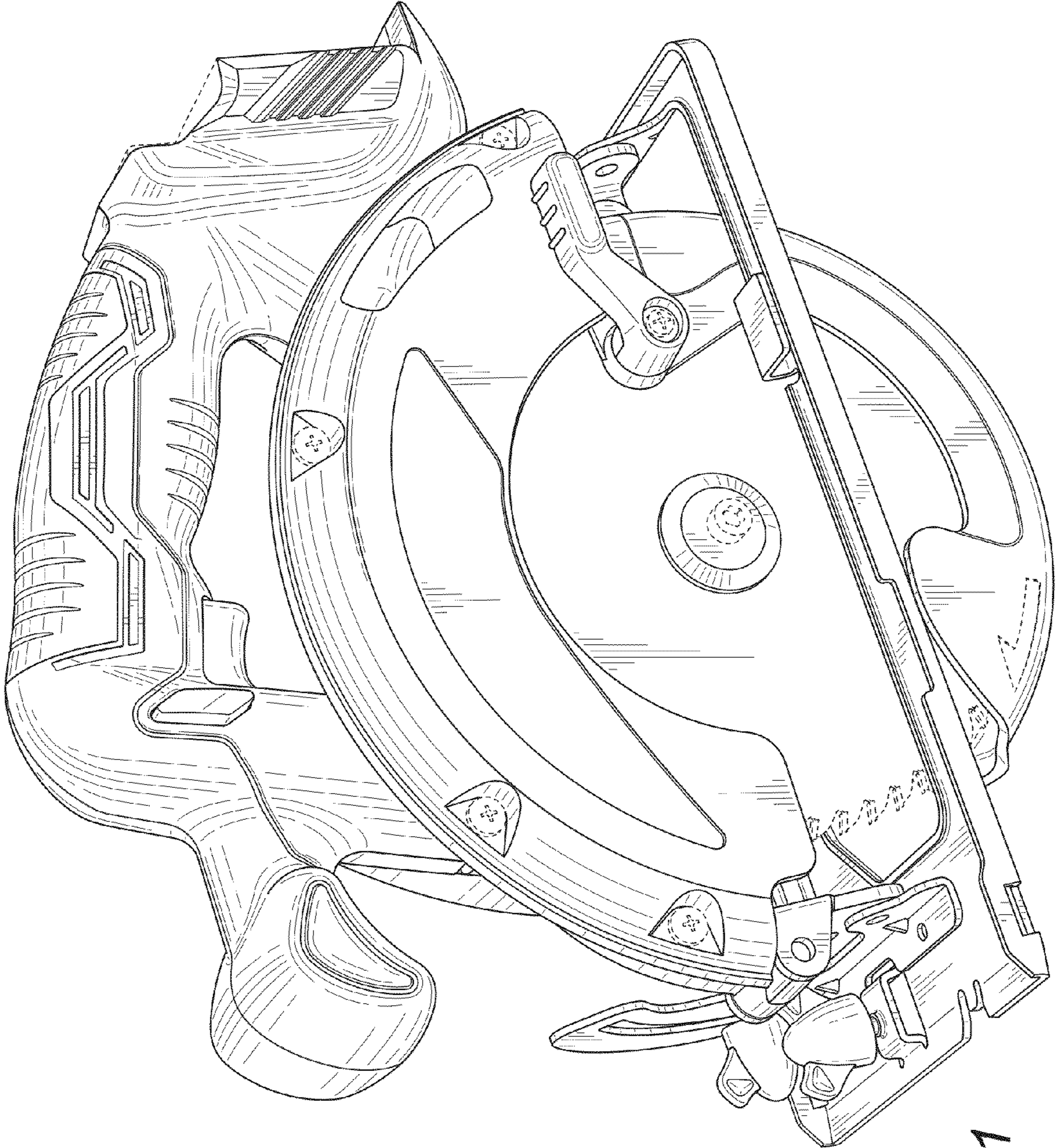


FIG. 1

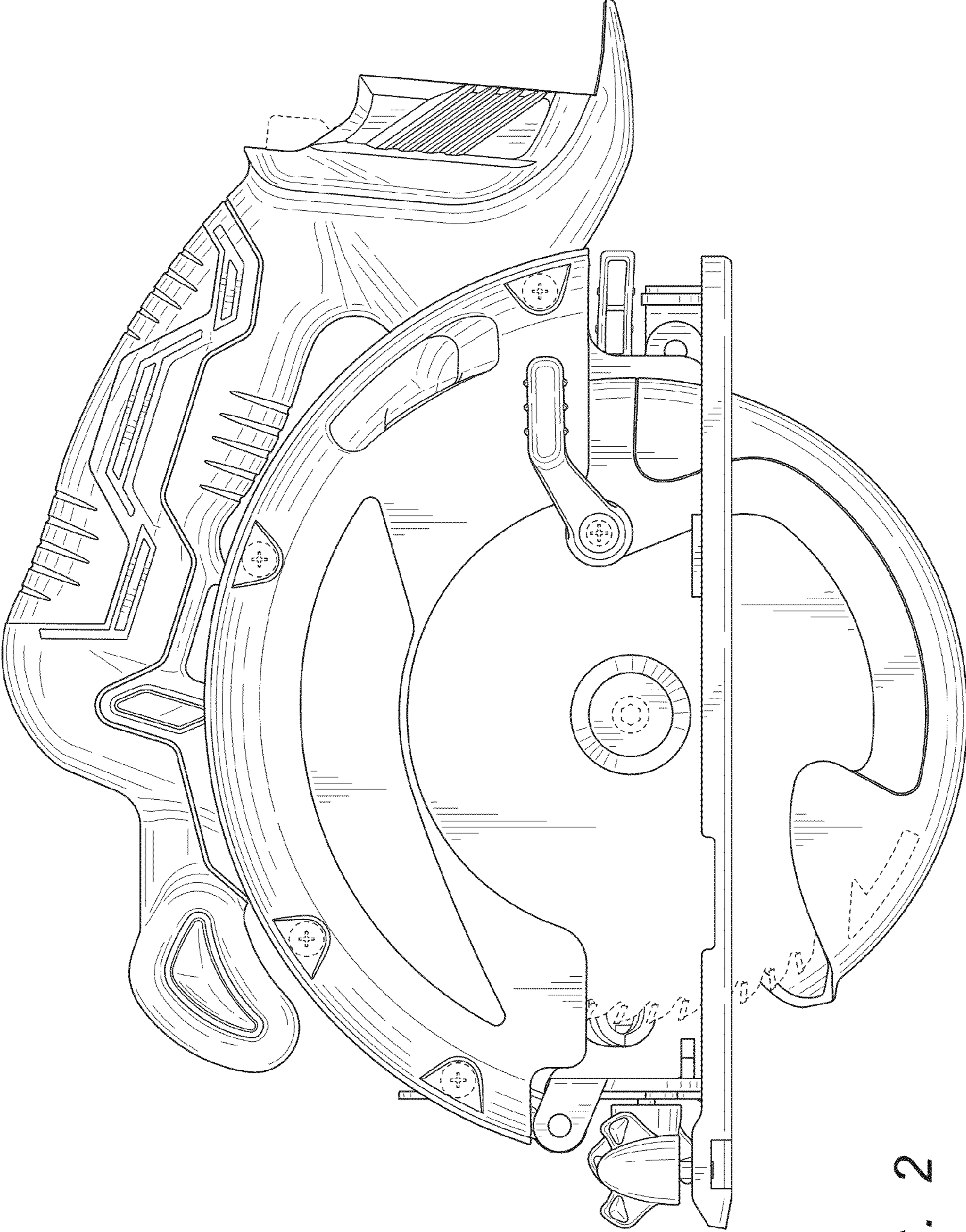


FIG. 2

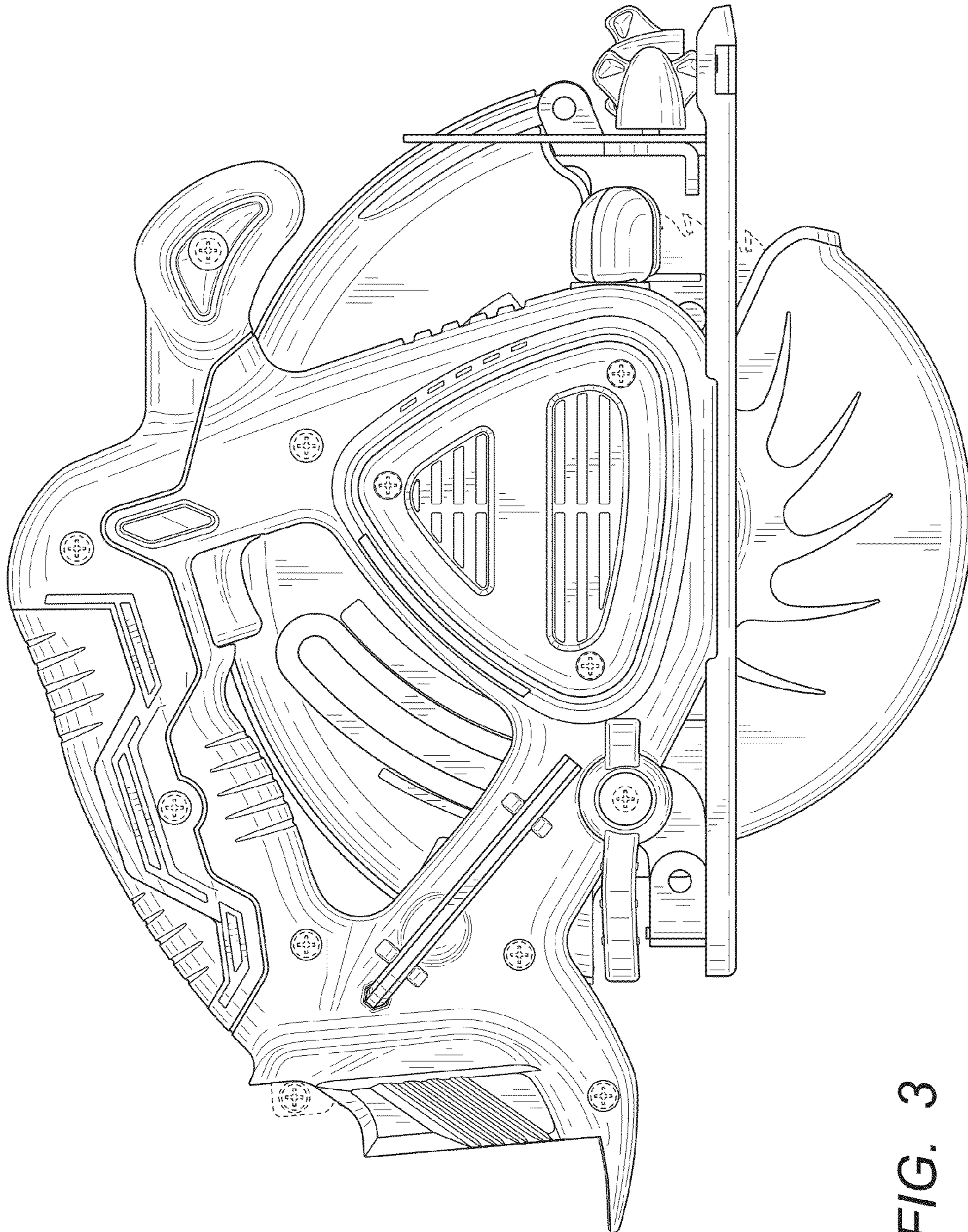


FIG. 3

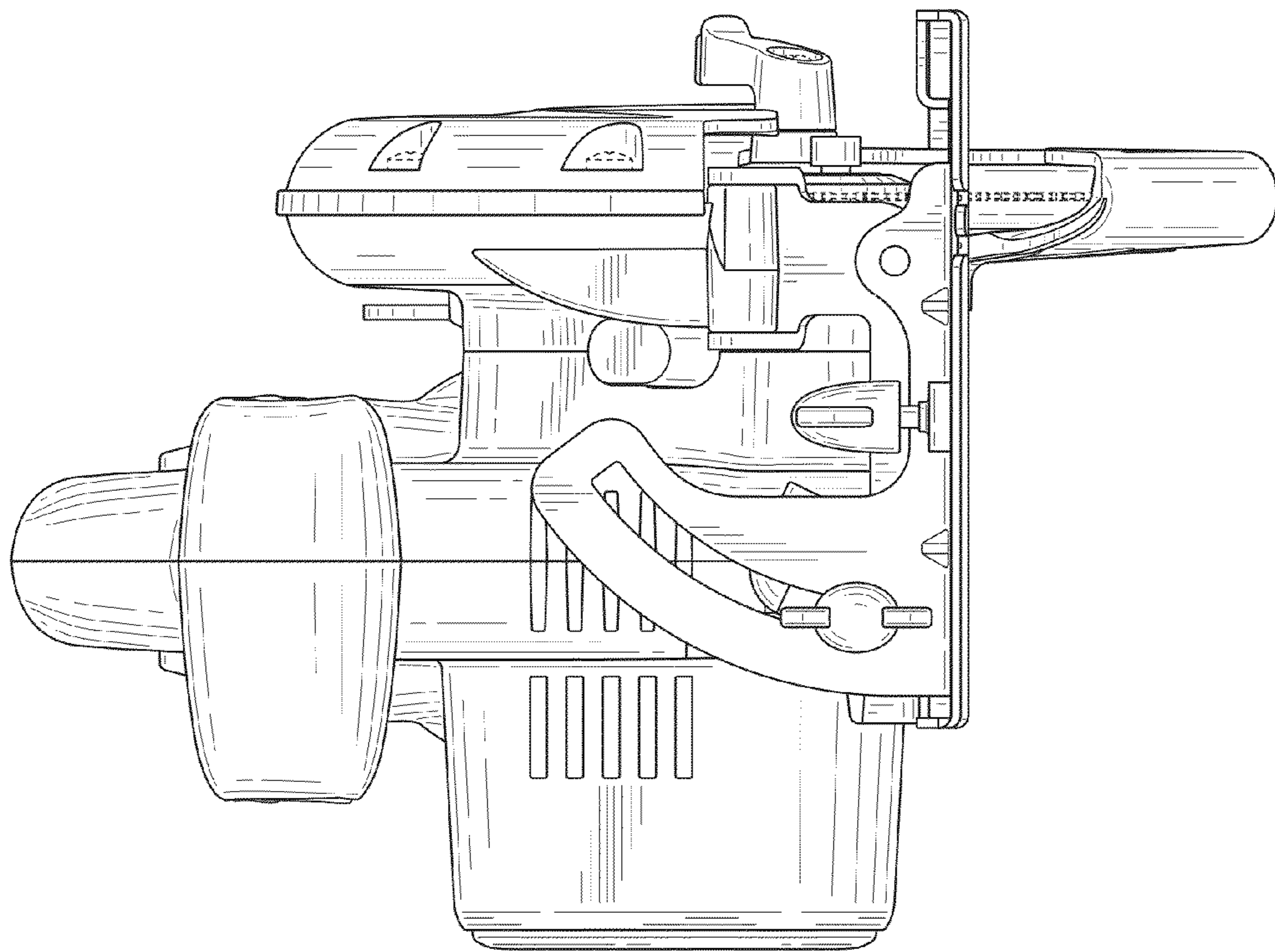


FIG. 4

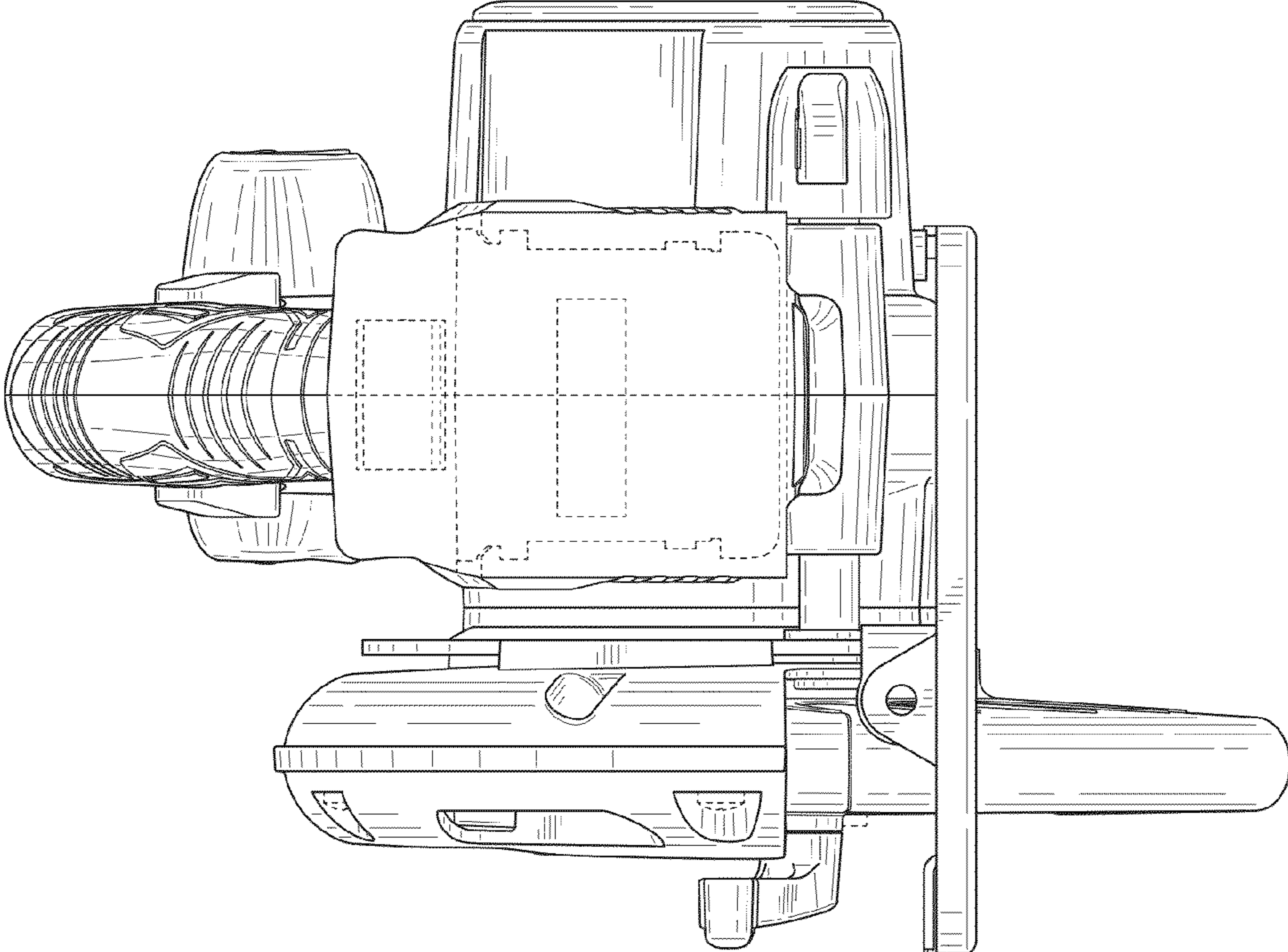


FIG. 5

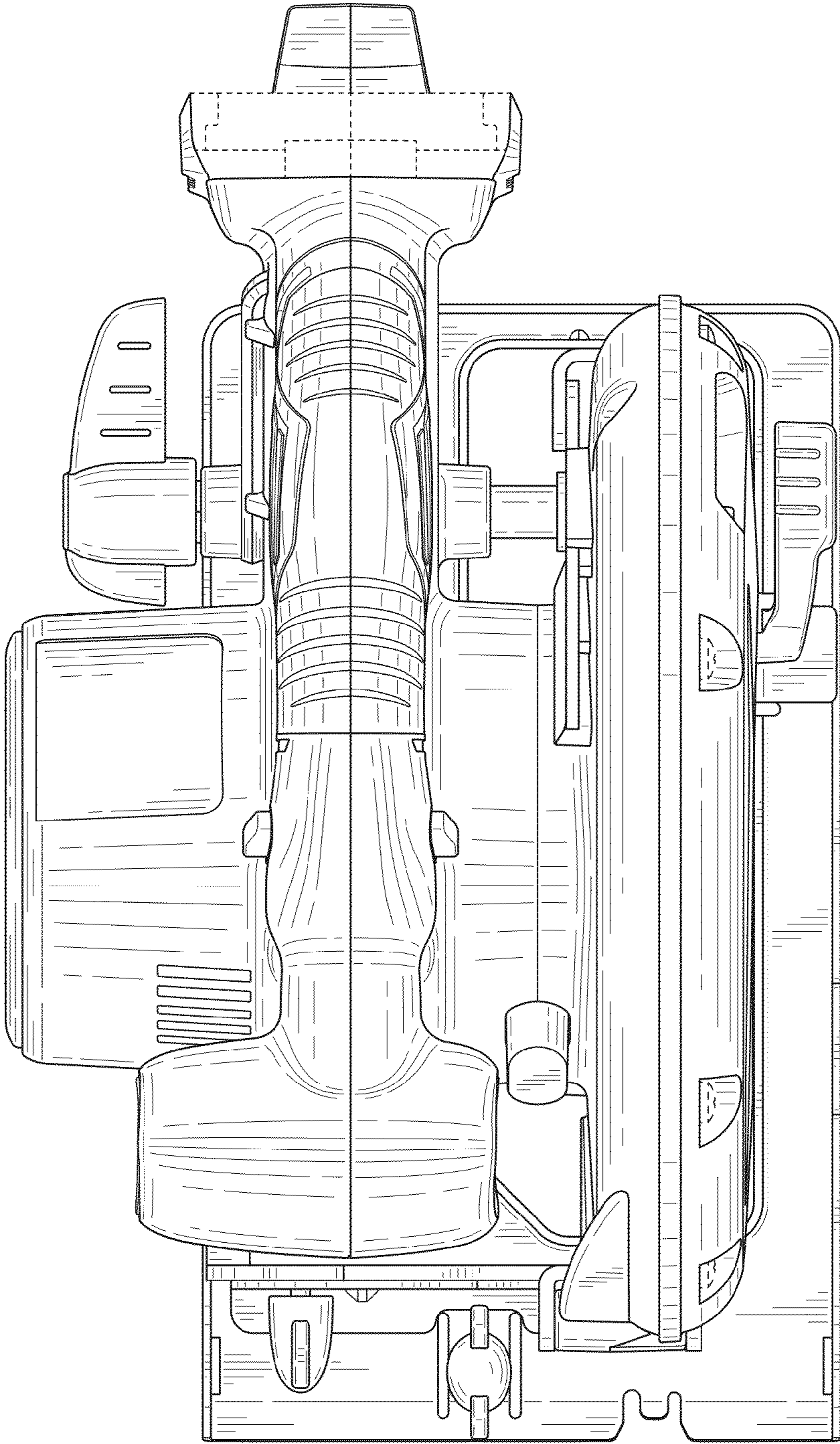


FIG. 6

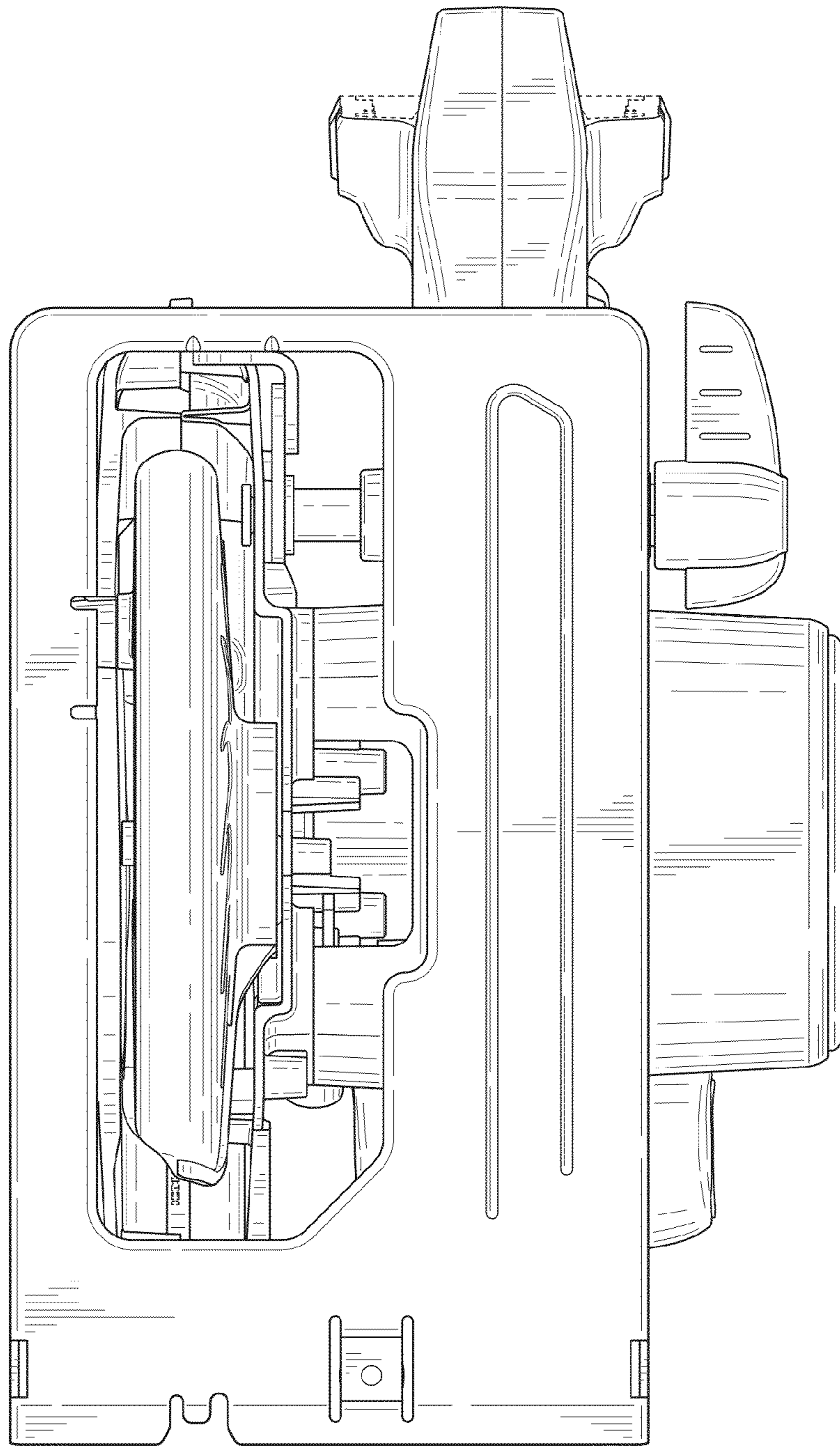


FIG. 7