



US00D756737S

(12) **United States Design Patent**
Cigarini

(10) **Patent No.:** **US D756,737 S**
(45) **Date of Patent:** **** May 24, 2016**

(54) **CHAINSAW SHARPENER**
(71) Applicant: **TECOMEC S.R.L.**, Reggio Emilia (RE) (IT)
(72) Inventor: **Enrico Cigarini**, Reggio Emilia (IT)
(73) Assignee: **TECOMEC S.R.L.**, Reggio Emilia (IT)
(**) Term: **14 Years**
(21) Appl. No.: **29/516,267**
(22) Filed: **Jan. 30, 2015**

(30) **Foreign Application Priority Data**

Oct. 21, 2014 (EM) 002561498-0006

(51) **LOC (10) Cl.** **08-05**

(52) **U.S. Cl.**
USPC **D8/63; D8/61**

(58) **Field of Classification Search**
USPC D8/34, 35, 63, 91, 93; 451/45, 267,
451/552, 555-558; 76/82, 84, 86-89.2;
30/138
CPC B23D 59/04; B23D 63/16; B24B 55/02;
B24B 3/58; B23Q 11/10
See application file for complete search history.

(56) **References Cited**

U.S. PATENT DOCUMENTS

2,780,897 A * 2/1957 Radase B24B 21/00
451/296
4,617,763 A * 10/1986 Edling B24B 3/54
451/241

5,400,546 A * 3/1995 Christian B24B 3/32
451/138
5,649,853 A * 7/1997 Kuo B24B 3/30
451/178
7,121,932 B2 * 10/2006 Liao B24B 3/247
451/179
D568,132 S * 5/2008 Heun D8/63
D594,887 S 6/2009 Cigarini
D594,888 S 6/2009 Cigarini
D595,318 S 6/2009 Cigarini
8,696,407 B2 * 4/2014 Dovel B24B 3/52
451/296
D723,895 S * 3/2015 Dovel D8/63
D730,137 S * 5/2015 Onion D8/63

* cited by examiner

Primary Examiner — Austin Murphy
(74) *Attorney, Agent, or Firm* — Pearne & Gordon LLP

(57) **CLAIM**

The ornamental design for a chainsaw sharpener, as shown and described.

DESCRIPTION

FIG. 1 is a front-top-right perspective view of a chainsaw sharpener, showing my new design;
FIG. 2 is a front-top-left perspective view thereof;
FIG. 3 is a front view thereof;
FIG. 4 is a back view thereof;
FIG. 5 is a left side view thereof;
FIG. 6 is a right side view thereof; and,
FIG. 7 is a top view thereof.

1 Claim, 4 Drawing Sheets

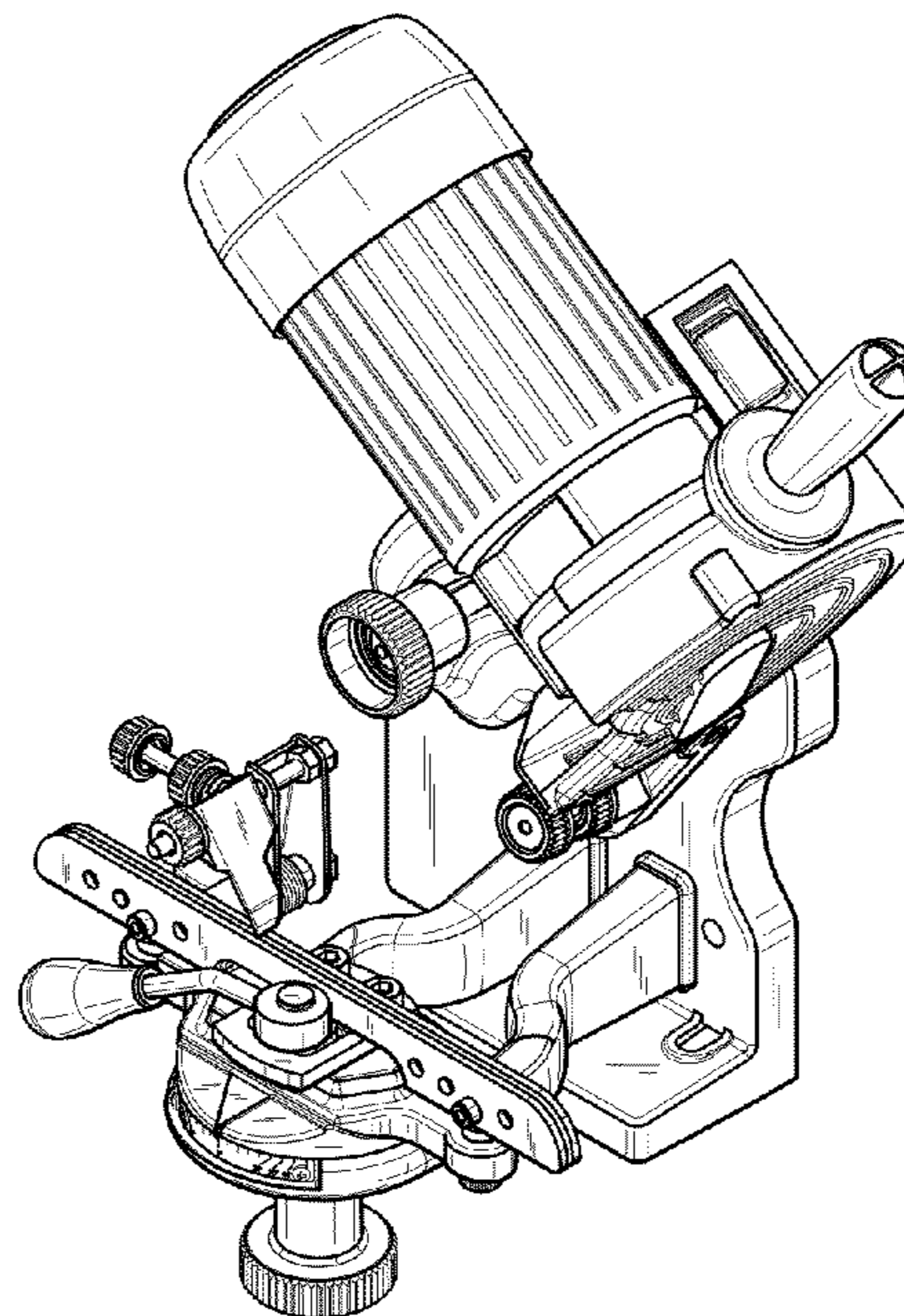
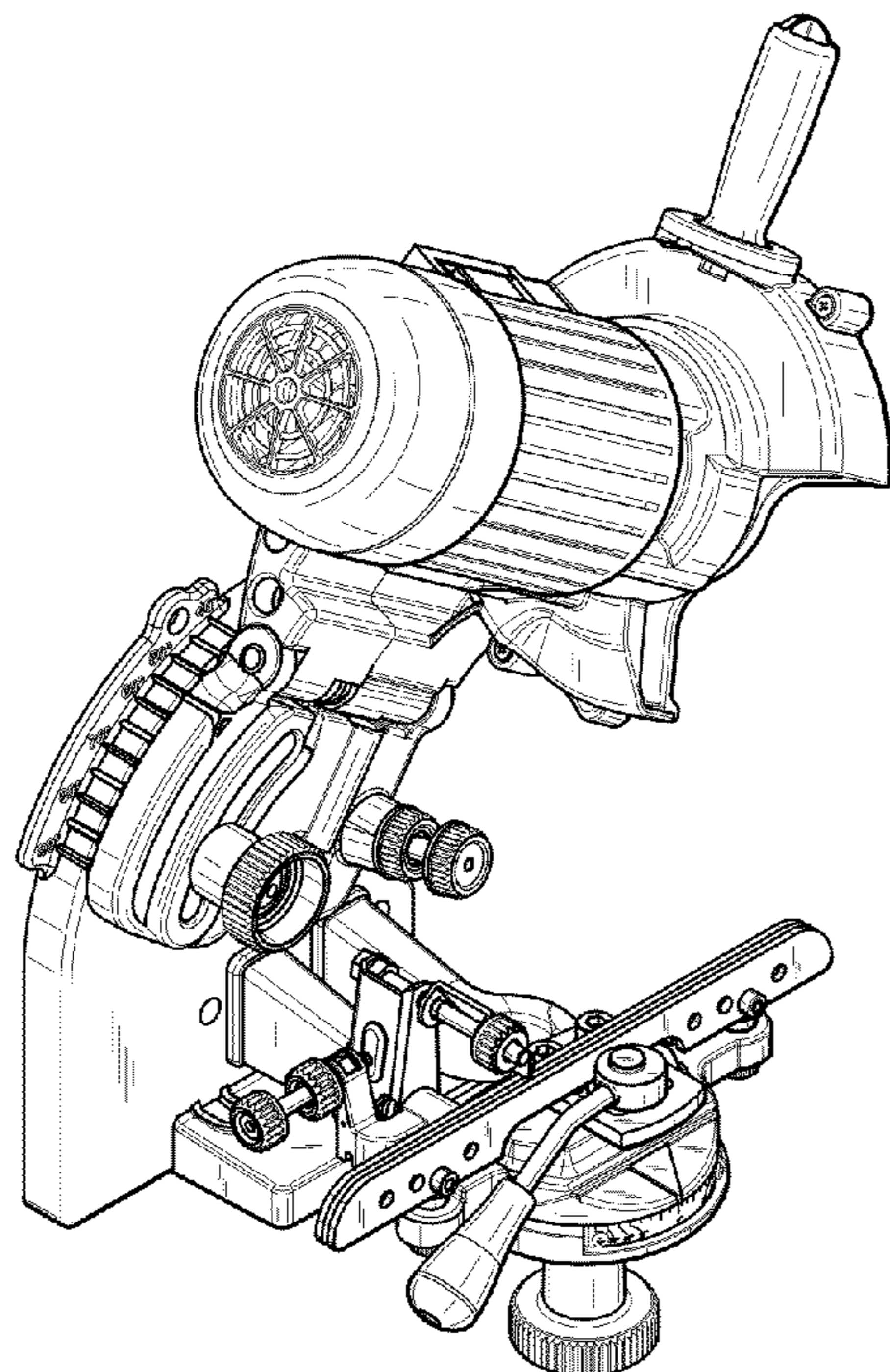


FIG. 1

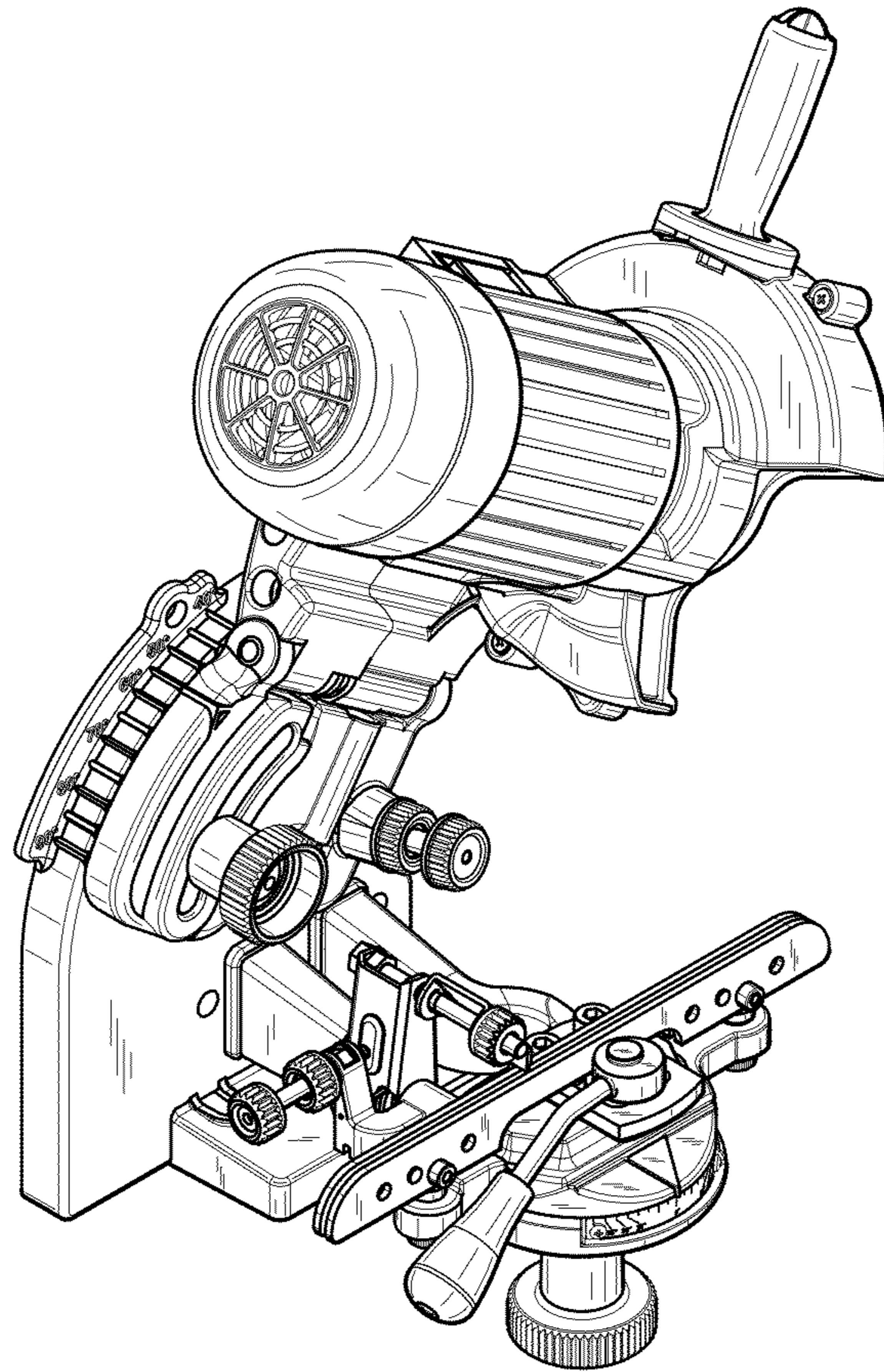


FIG. 2

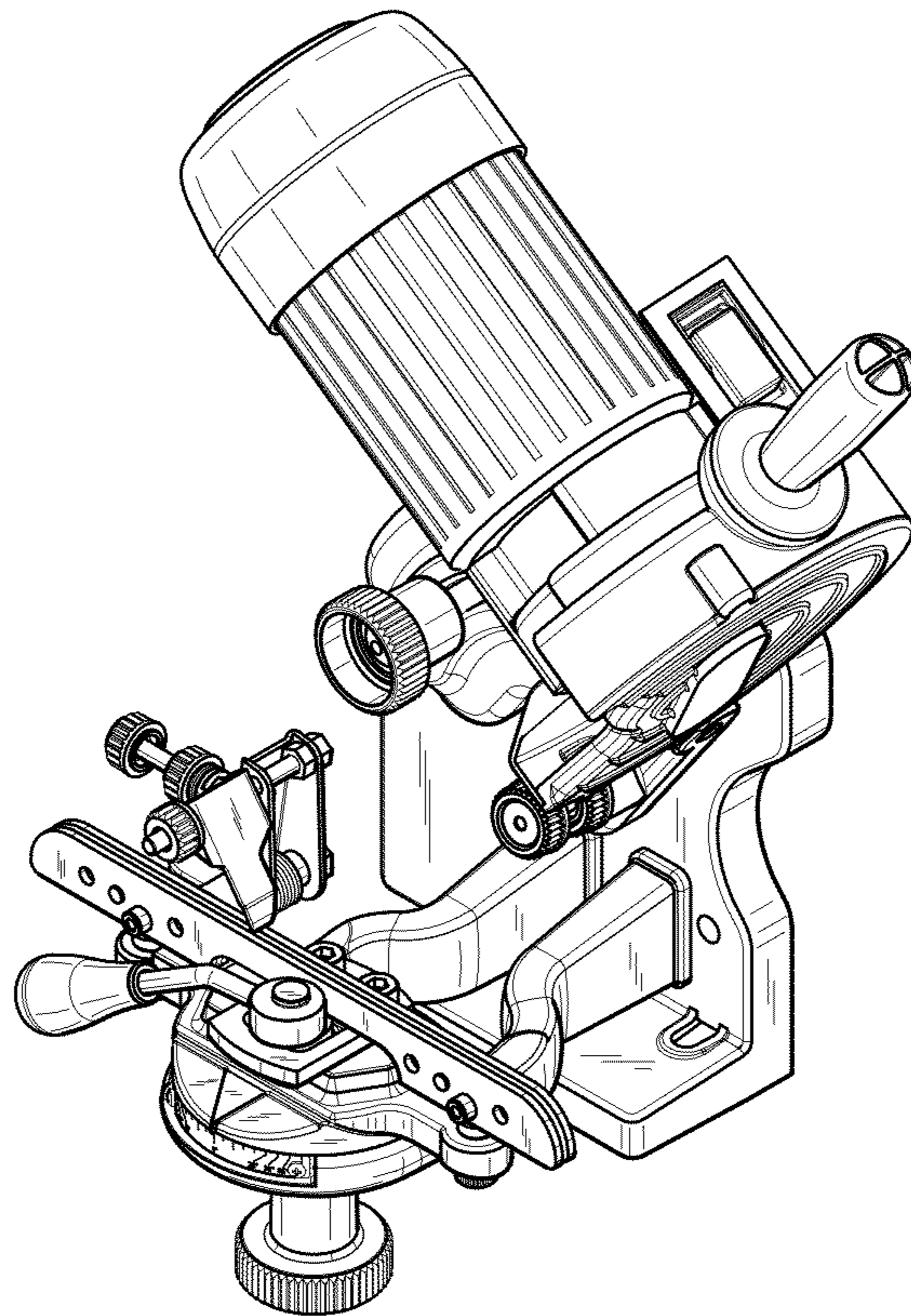


FIG. 3

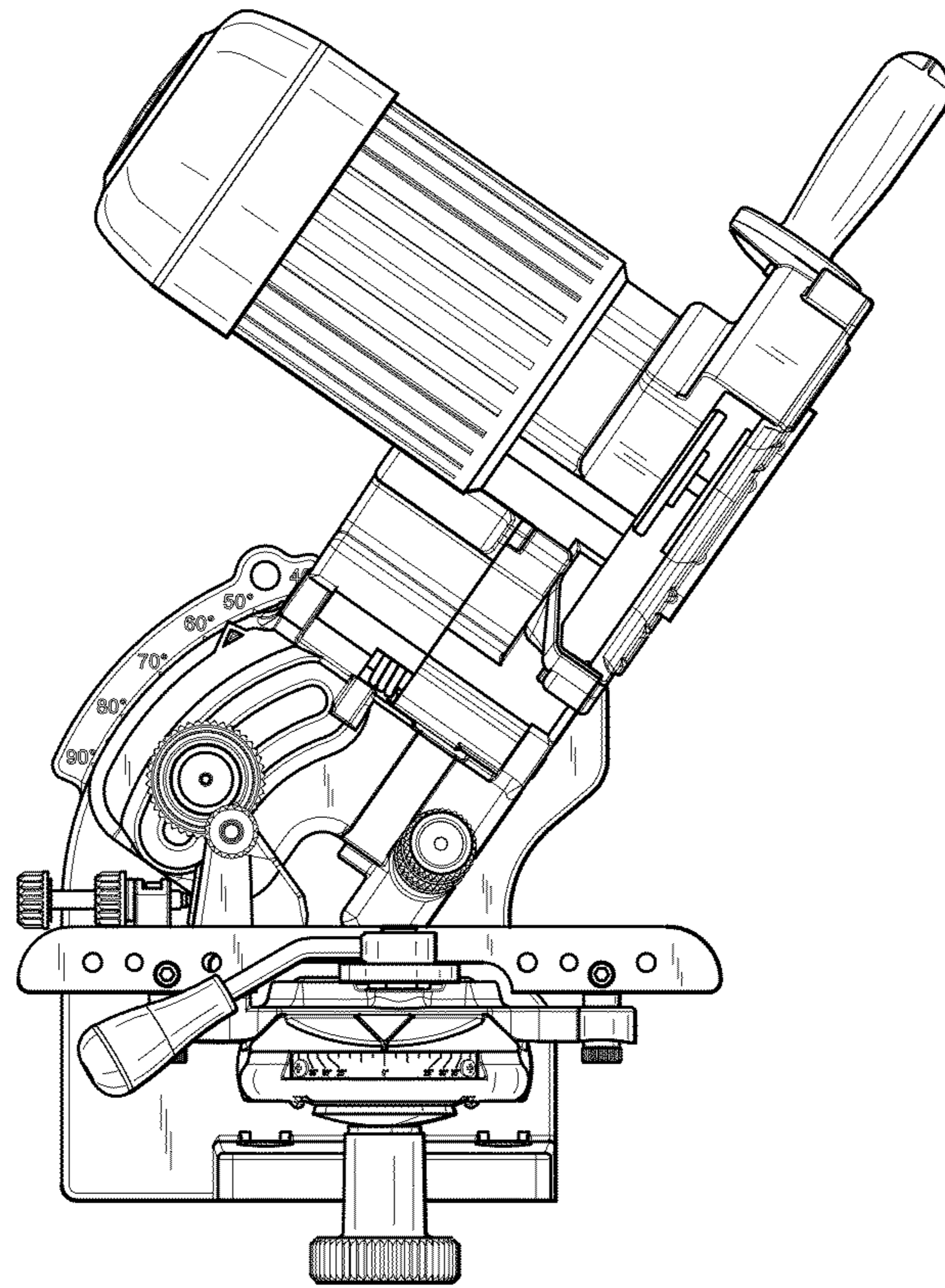


FIG. 4

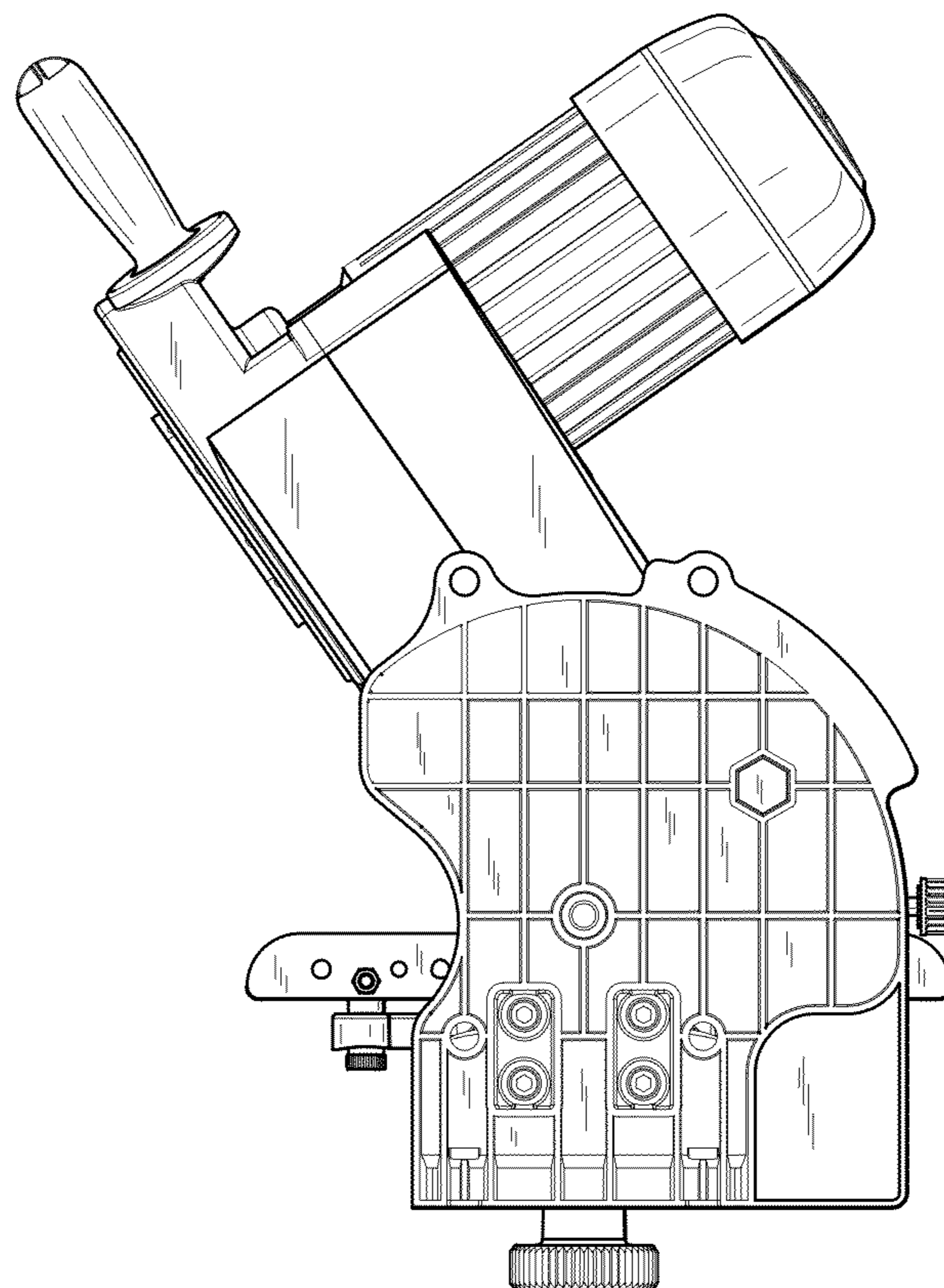


FIG. 5

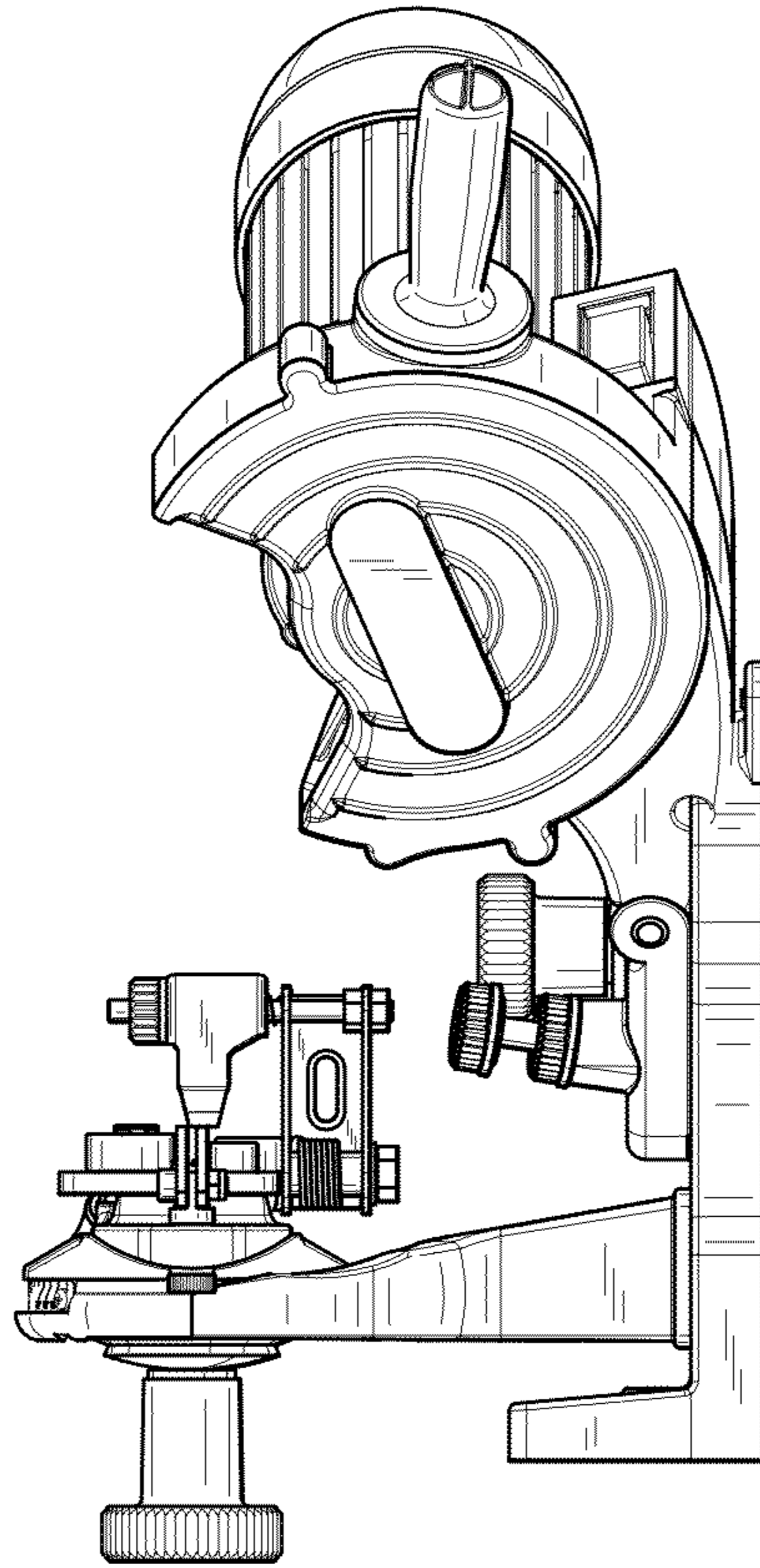
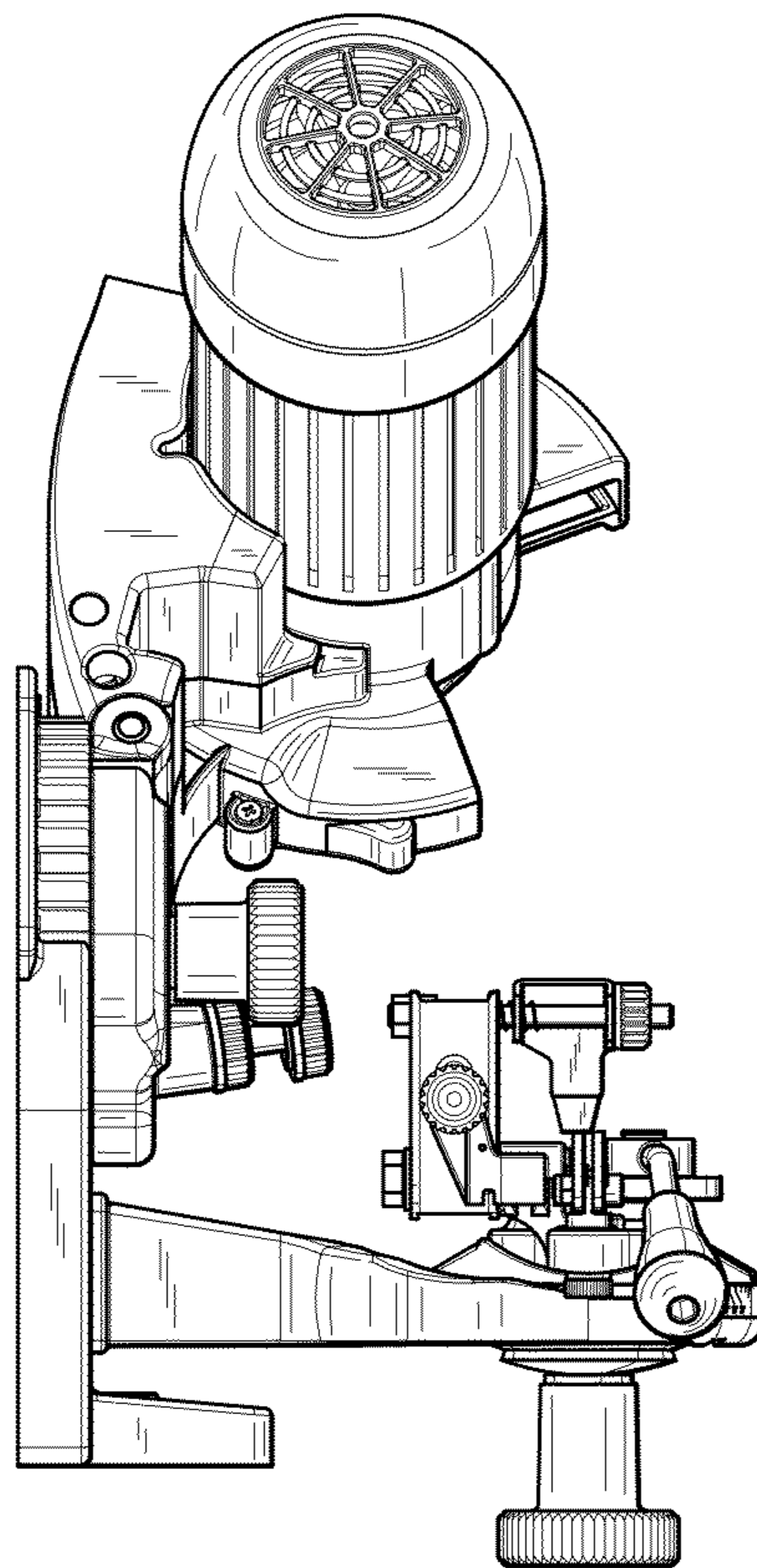


FIG. 6



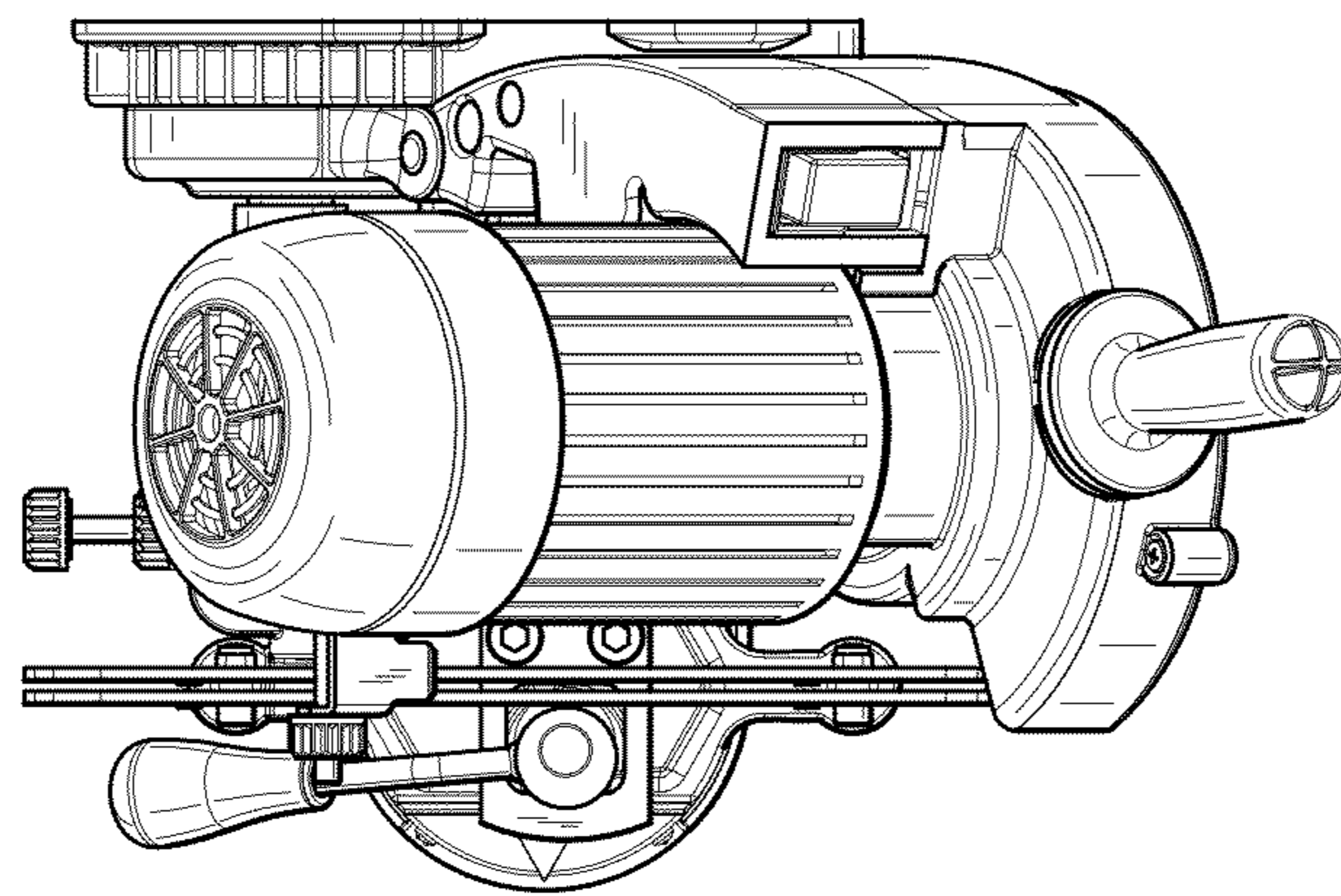


FIG. 7