



US00D756736S

(12) **United States Design Patent**  
**Gargallo**

(10) **Patent No.:** **US D756,736 S**  
(45) **Date of Patent:** **\*\* May 24, 2016**

(54) **CERAMIC CUTTERS**  
(71) Applicant: **GERMANS BOADA, S.A.**, Barcelona (ES)  
(72) Inventor: **Alex Roselló Gargallo**, Barcelona (ES)  
(73) Assignee: **GERMANS BOADA, S.A.**, Barcelona (ES)  
(\*\*) Term: **14 Years**  
(21) Appl. No.: **29/514,494**  
(22) Filed: **Jan. 13, 2015**

6,223,736 B1 \* 5/2001 Yasuga ..... B28D 1/225  
125/23.02  
6,240,914 B1 \* 6/2001 Yasuga ..... B28D 1/225  
125/23.02  
6,269,994 B1 \* 8/2001 Harrington ..... B28D 1/225  
125/23.02  
D476,213 S \* 6/2003 Hepworth ..... D15/127  
D533,426 S \* 12/2006 Torrents Comas ..... D15/127  
D536,945 S \* 2/2007 Yang ..... D15/127  
D541,127 S \* 4/2007 Yang ..... D8/51  
7,434,576 B2 \* 10/2008 Hwang ..... B28D 1/225  
125/23.02  
D597,568 S \* 8/2009 I Comas ..... D15/127  
D618,714 S \* 6/2010 Comas ..... D15/127  
D638,864 S \* 5/2011 Comas ..... D15/127  
8,578,923 B2 \* 11/2013 Ghelfi ..... B28D 1/225  
125/23.01

(Continued)

(30) **Foreign Application Priority Data**  
Dec. 1, 2014 (EM) ..... 002588376-0003  
(51) **LOC (10) Cl.** ..... **08-05**  
(52) **U.S. Cl.**  
USPC ..... **D8/51; D15/127**  
(58) **Field of Classification Search**  
USPC ..... D8/51, 98; D15/127  
CPC B23D 1/225; Y10T 225/325; Y10T 83/0385;  
Y10T 83/0348; C03B 33/10  
See application file for complete search history.

*Primary Examiner* — Deanna L Pratt  
(74) *Attorney, Agent, or Firm* — Hodgson Russ LLP

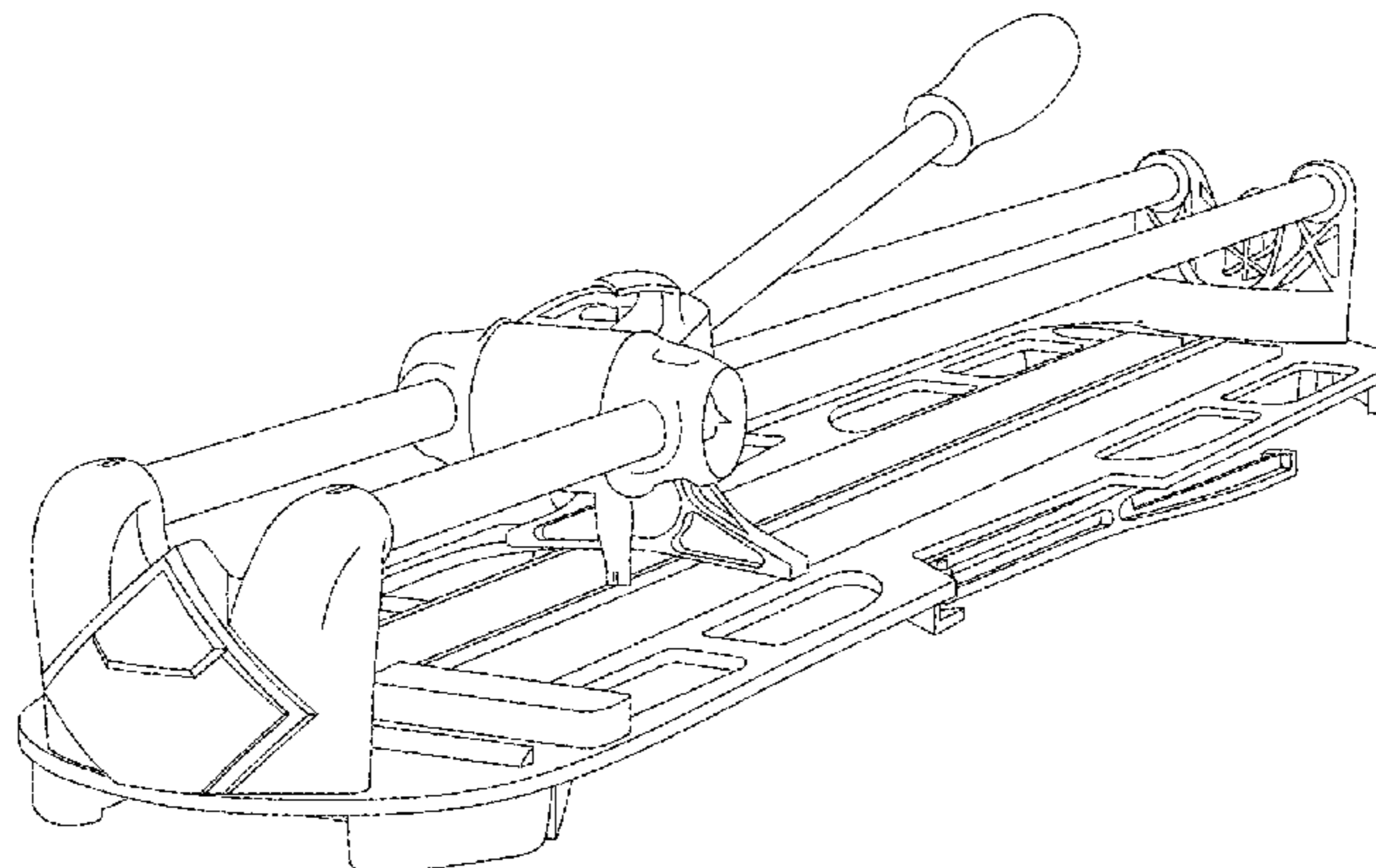
(57) **CLAIM**  
The ornamental design for ceramic cutters, as shown and described.

(56) **References Cited**  
U.S. PATENT DOCUMENTS  
D291,578 S \* 8/1987 Hepworth ..... D15/127  
D331,762 S \* 12/1992 Matt ..... D15/127  
5,169,045 A \* 12/1992 Liu ..... B28D 1/225  
125/23.02  
D359,435 S \* 6/1995 Joecker, Jr. .... D8/98  
6,047,871 A \* 4/2000 Chen ..... B28D 1/225  
125/23.02  
6,053,159 A \* 4/2000 Liu ..... B28D 1/225  
125/23.02  
D424,585 S \* 5/2000 Torrents Comas ..... D15/127  
6,148,810 A \* 11/2000 Hepworth ..... B28D 1/225  
125/23.01  
D434,782 S \* 12/2000 Comas ..... D15/127  
6,164,272 A \* 12/2000 Fouy ..... B28D 1/225  
125/12

**DESCRIPTION**

FIG. 1 is an isometric view of ceramic cutters in accordance with the new design, wherein lateral arms are in a contracted position;  
FIG. 1A is an isometric view of ceramic cutters in accordance with the new design, wherein lateral arms are in an extended position;  
FIG. 2 is a front elevational view thereof, wherein lateral arms are in a contracted position;  
FIG. 3 is a rear elevational view thereof, wherein lateral arms are in a contracted position;  
FIG. 4 is a right side elevational view thereof, wherein lateral arms are in a contracted position;  
FIG. 5 is a left side elevational view thereof, wherein lateral arms are in a contracted position;  
FIG. 6 is a top plan view thereof, wherein lateral arms are in a contracted position; and,  
FIG. 7 is a bottom plan view thereof, wherein lateral arms are in a contracted position.

**1 Claim, 4 Drawing Sheets**



(56)

**References Cited**

U.S. PATENT DOCUMENTS

D733,197 S \* 6/2015 Ambrogiani ..... D15/127  
D737,350 S \* 8/2015 Gargallo ..... D15/127  
D737,351 S \* 8/2015 Gargallo ..... D15/127  
2003/0029433 A1\* 2/2003 Hepworth ..... B28D 1/225  
125/23.02  
2003/0047056 A1\* 3/2003 Torrents I Comas .. B28D 1/225  
83/886

2004/0025662 A1\* 2/2004 Torrents I Comas .. B28D 1/225  
83/886  
2005/0016518 A1\* 1/2005 Ishii ..... B28D 1/225  
125/23.02  
2009/0044681 A1\* 2/2009 Torrents I Comas .. B28D 1/225  
83/886  
2009/0145416 A1\* 6/2009 Harding ..... B28D 1/225  
125/23.02

\* cited by examiner

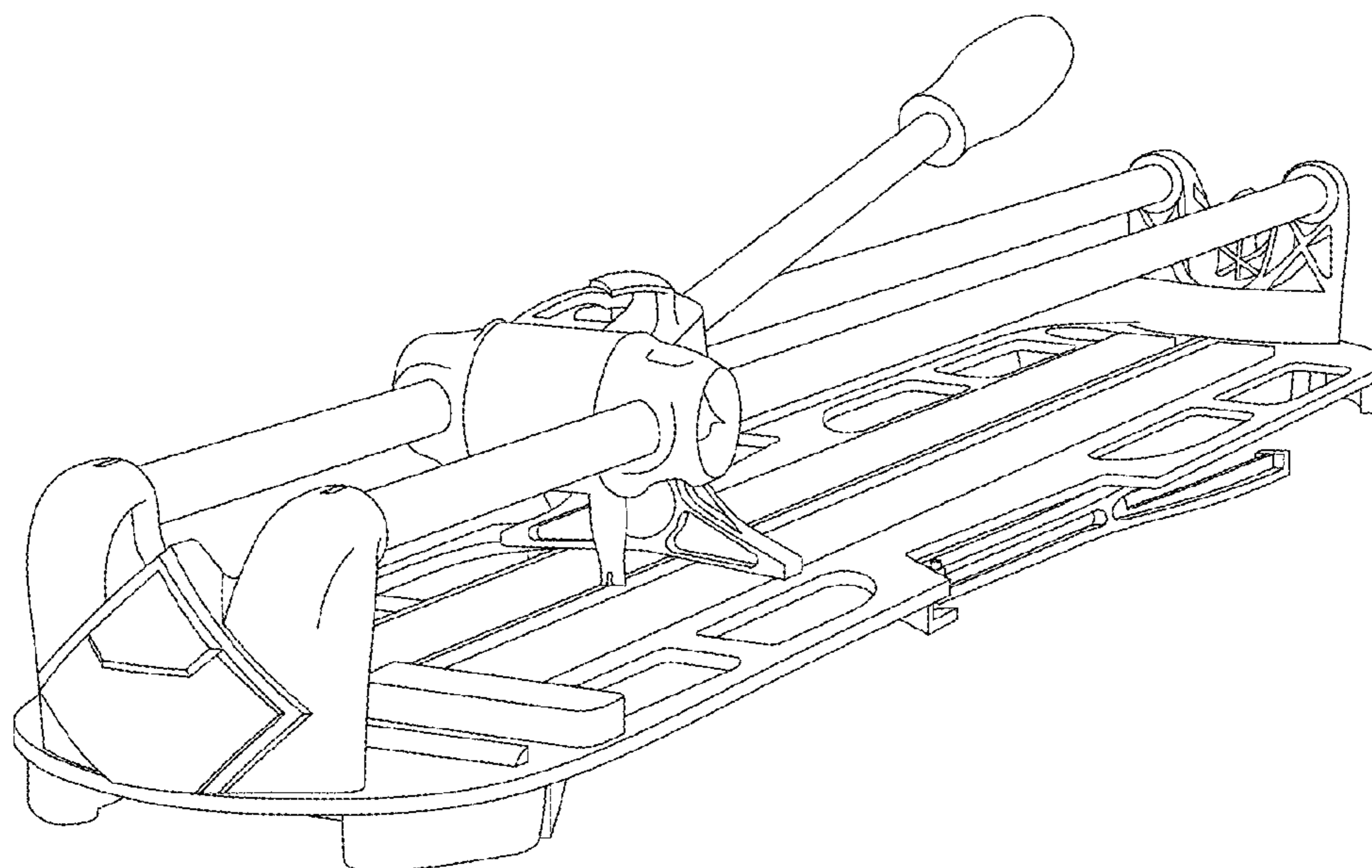


Fig. 1

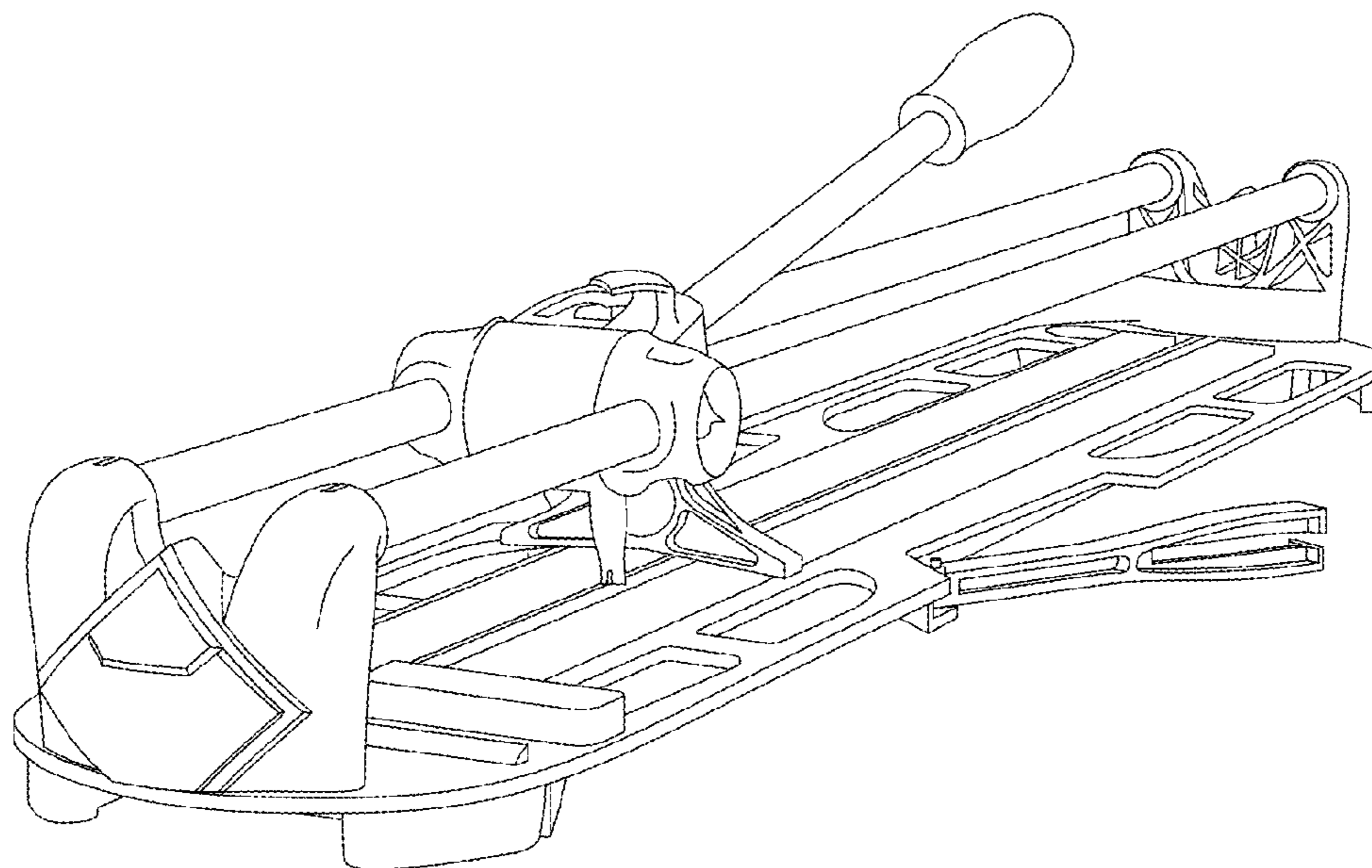


Fig. 1A

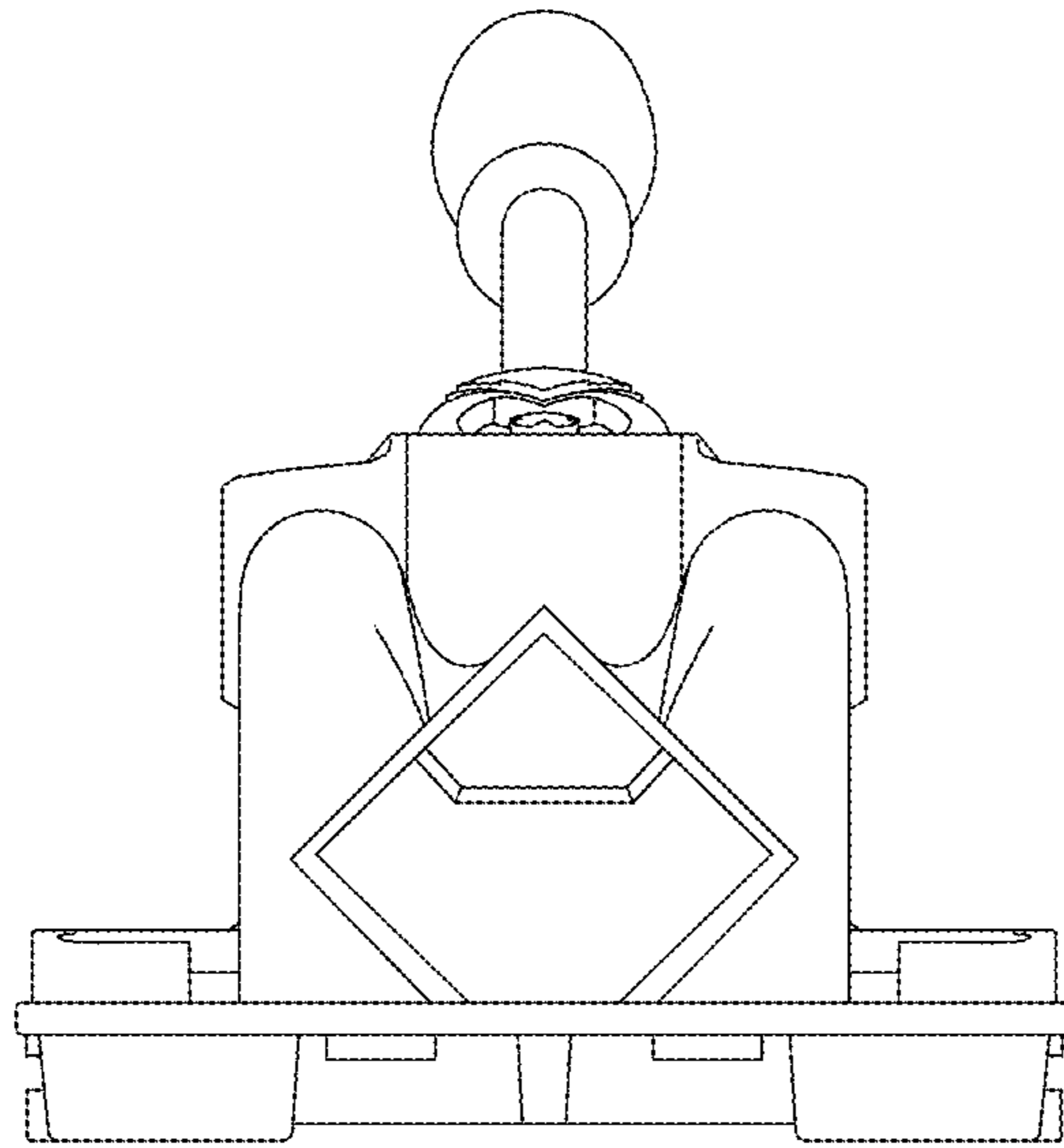


Fig. 2

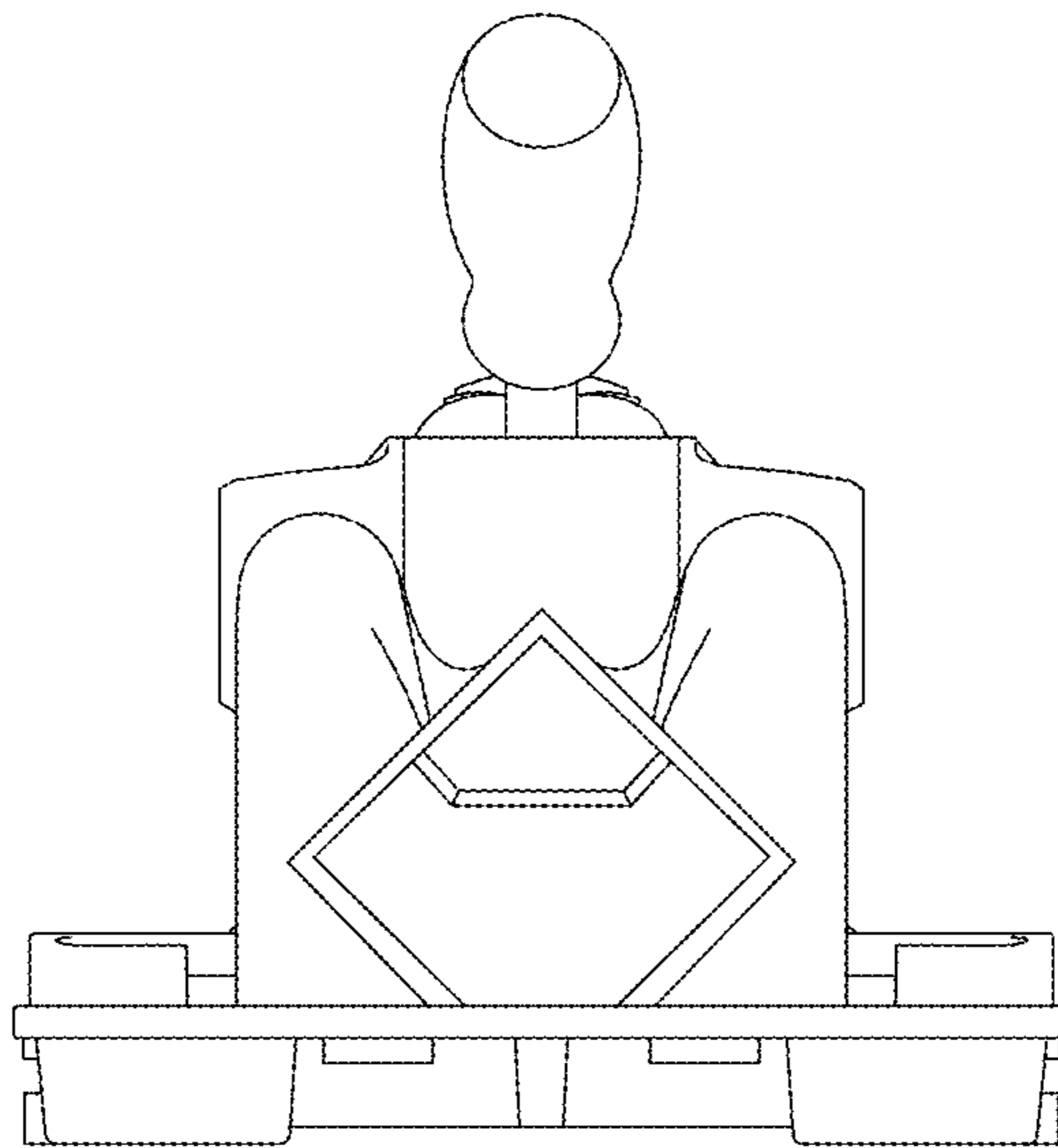


Fig. 3

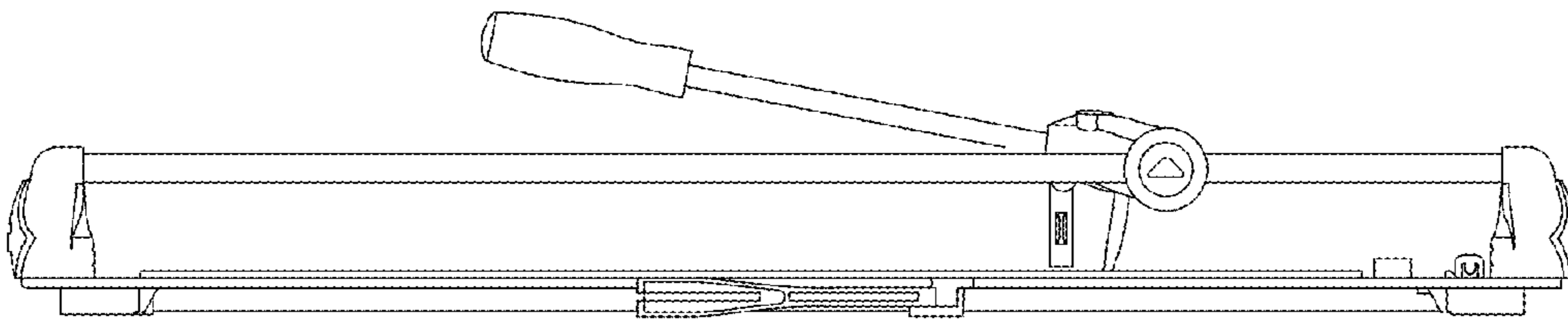


Fig. 4

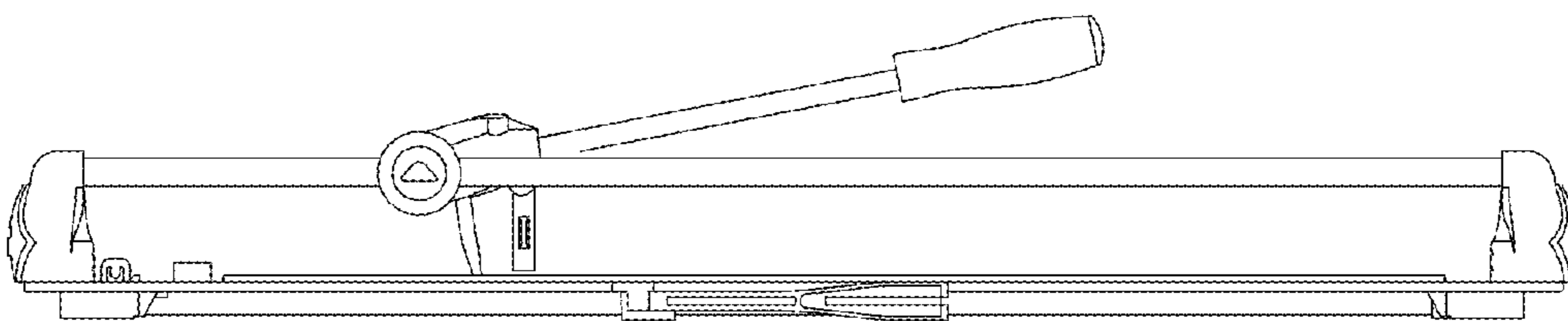


Fig. 5

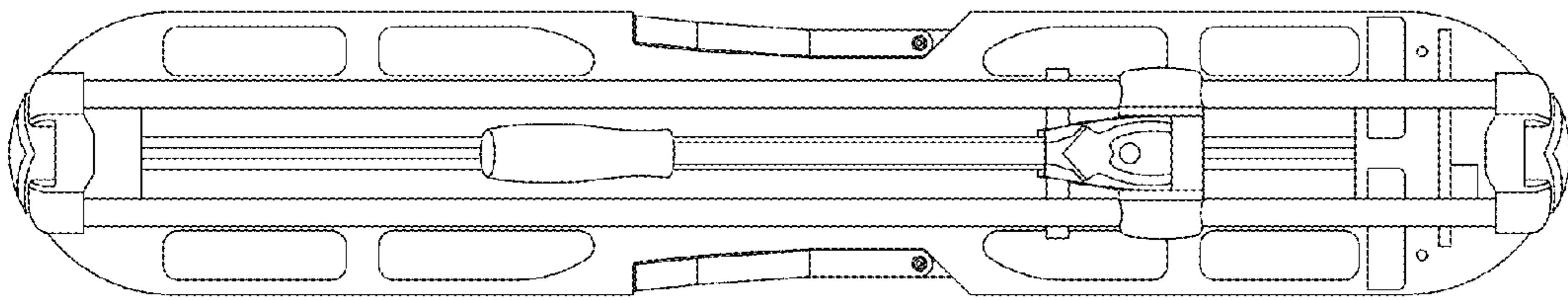


Fig. 6

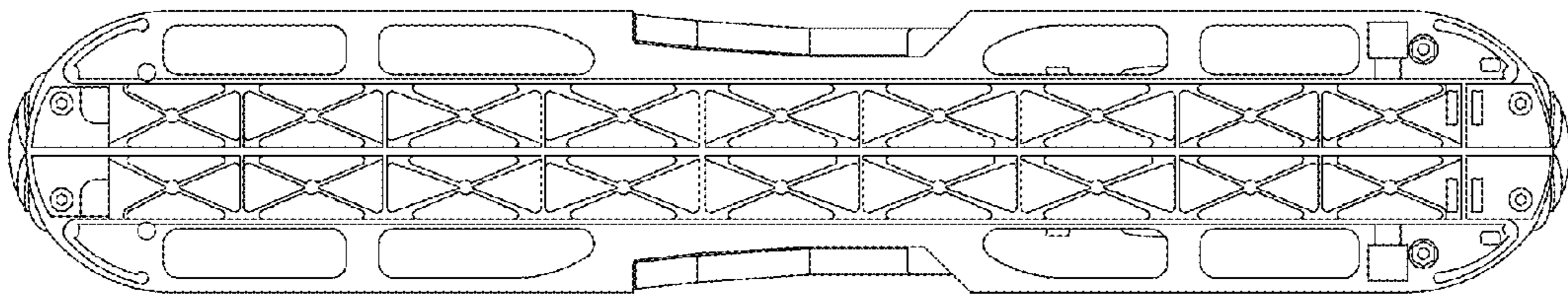


Fig. 7