



US00D756728S

(12) **United States Design Patent**
Alliss

(10) **Patent No.:** **US D756,728 S**
(45) **Date of Patent:** **** May 24, 2016**

(54) **FIGURE EIGHT HOLED LINE MOUNT FOR A STRING TRIMMER HEAD**

(71) Applicant: **George E. Alliss**, Fairmont, NC (US)

(72) Inventor: **George E. Alliss**, Fairmont, NC (US)

(**) Term: **14 Years**

(21) Appl. No.: **29/511,822**

(22) Filed: **Dec. 15, 2014**

(51) **LOC (10) Cl.** **08-01**

(52) **U.S. Cl.**
USPC **D8/10**

(58) **Field of Classification Search**
USPC D8/1, 7, 8, 9, 383, 499; D2/978
CPC ... A01D 34/412; A01D 34/416; A01D 34/01;
A01D 34/015; A01D 34/4161; A01D 34/4165;
A01D 34/4166; A01D 34/4167
See application file for complete search history.

(56) **References Cited**

U.S. PATENT DOCUMENTS

5,020,224	A *	6/1991	Haupt	A01D 34/4162 30/276
D367,755	S *	3/1996	Jones	D2/978
D383,020	S *	9/1997	Craig	D6/606
D399,045	S *	10/1998	Liston	D2/978
6,185,916	B1 *	2/2001	Johnson	A01D 34/416 56/12.7
D443,816	S *	6/2001	Ikeda	D8/396
7,743,511	B2 *	6/2010	Jerez	A01D 34/416 30/276
D647,375	S *	10/2011	Hoff	D8/1
D709,755	S *	7/2014	Hollingworth	D8/383
D719,415	S *	12/2014	Albertson	D8/8
8,904,605	B2 *	12/2014	Kawaguchi	F16G 11/101 24/115 G
2008/0034724	A1 *	2/2008	Jerez	A01D 34/416 56/240
2009/0038163	A1 *	2/2009	Jerez	A01D 34/416 30/276
2012/0066915	A1 *	3/2012	Alliss	A01D 34/4166 30/347
2014/0202009	A1 *	7/2014	Proulx	A01D 34/4166 30/333

2015/0201557	A1 *	7/2015	Jerez	A01D 34/416 30/276
2015/0216122	A1 *	8/2015	Jerez	A01D 34/4165 30/276
2015/0264862	A1 *	9/2015	Skinner	A01D 34/4165 30/276

(Continued)

FOREIGN PATENT DOCUMENTS

EP	2186391	A1 *	5/2010	A01D 34/416
WO	WO 2014121131	A2 *	8/2014	A01D 34/4166

Primary Examiner — Ian Simmons

Assistant Examiner — Ieisha Price

(74) *Attorney, Agent, or Firm* — Merek, Blackmon & Voorhees, LLC

(57) **CLAIM**

The ornamental design for a figure eight holed line mount for a string trimmer head, as shown.

DESCRIPTION

FIG. 1 is a perspective view from the front, right and top side of a figure eight holed line mount for a string trimmer head. FIG. 2 is a front view of the figure eight holed line mount for a string trimmer head of FIG. 1. The back view is a mirror image thereof.

FIG. 3 is a left side elevation view of the figure eight holed line mount for a string trimmer head of FIG. 1. The right side elevation view is a mirror image thereof.

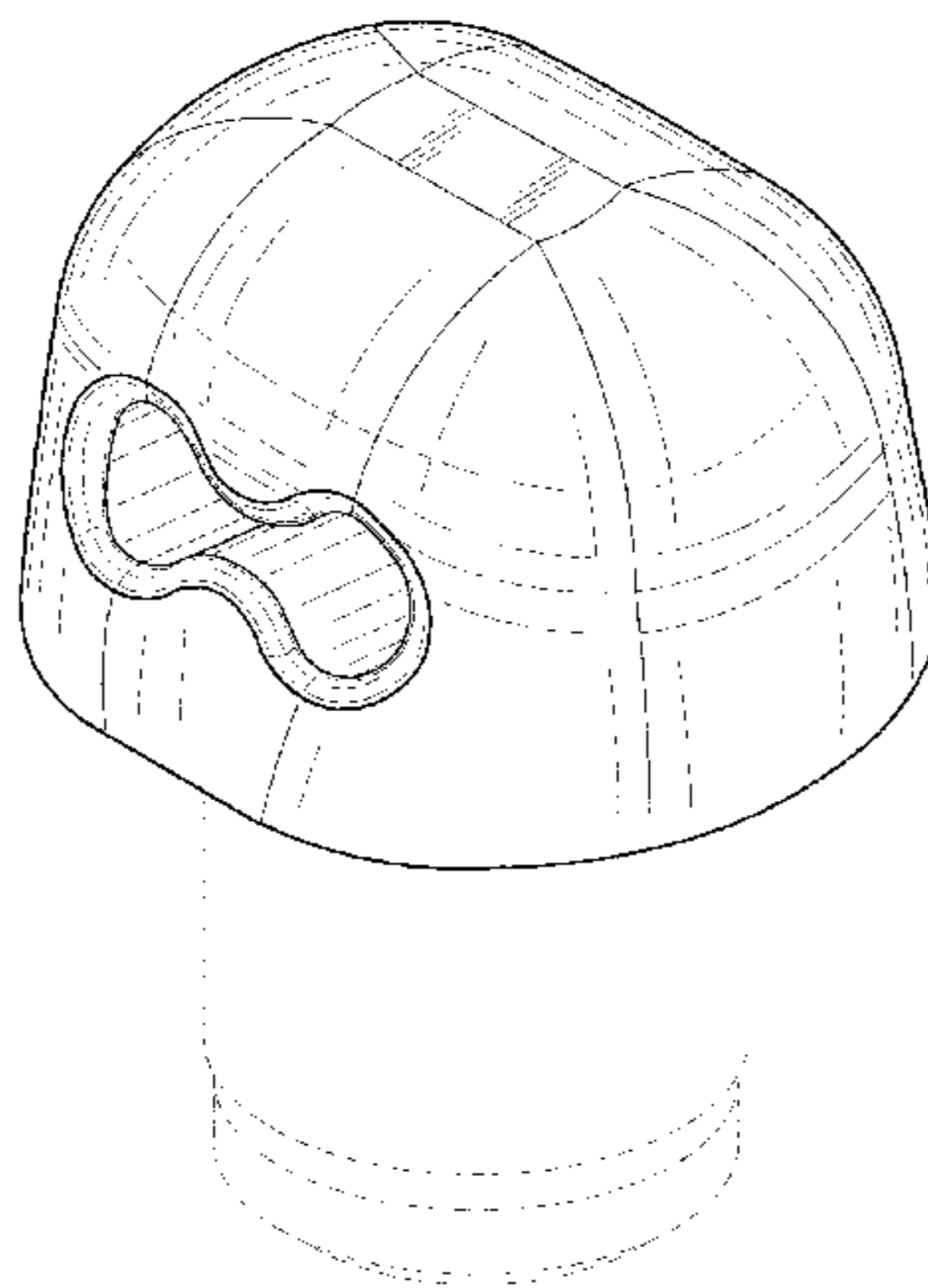
FIG. 4 is a top plan view of the figure eight holed line mount for a string trimmer head of FIG. 1.

FIG. 5 is a bottom plan view of the figure eight holed line mount for a string trimmer head of FIG. 1; and,

FIG. 6 is an environmental perspective view from the front, right and top side of figure eight holed line mount for a string trimmer head of FIG. 1.

The broken lines in the drawings illustrate portions of the figure eight holed line mount for a string trimmer head that form no part of the claimed design. The broken line showing of the string in FIG. 6 represents the environment of the claimed design and forms no part thereof.

1 Claim, 5 Drawing Sheets



(56)

References Cited

2015/0289446 A1* 10/2015 Duvall A01D 34/4166
30/276

U.S. PATENT DOCUMENTS

2015/0282425 A1* 10/2015 Skinner A01D 34/4166
30/276

* cited by examiner

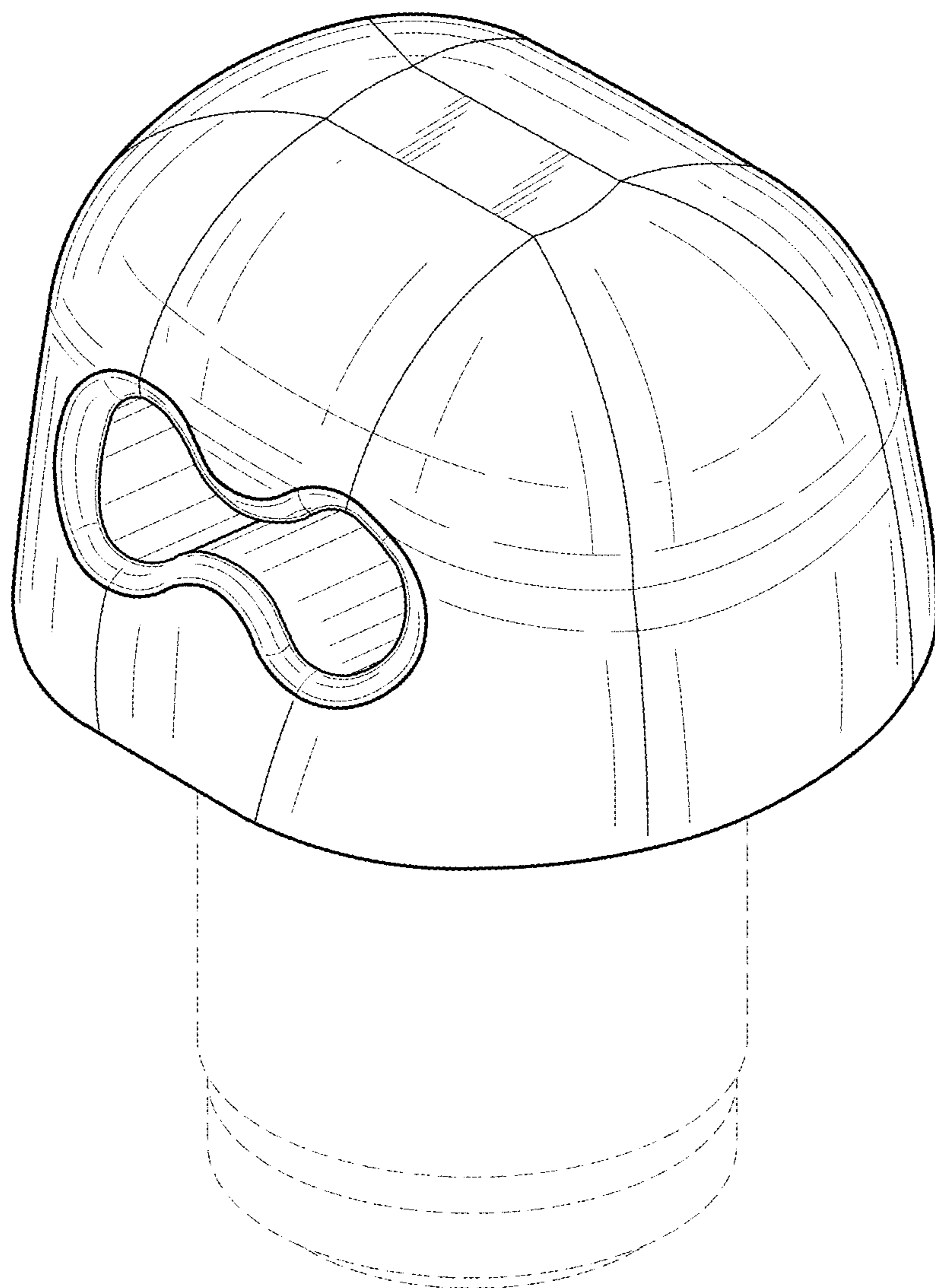


FIG. 1

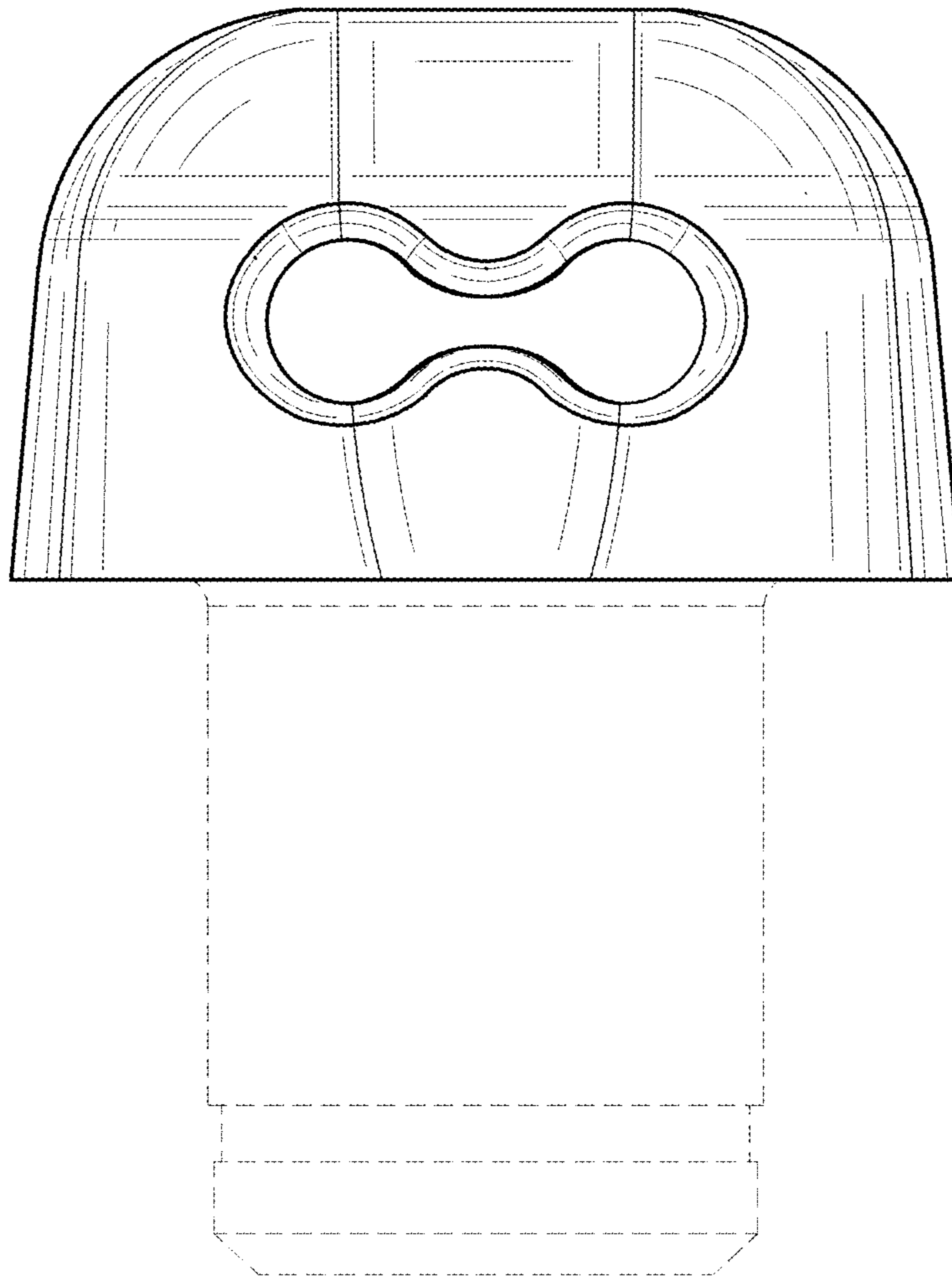


FIG. 2

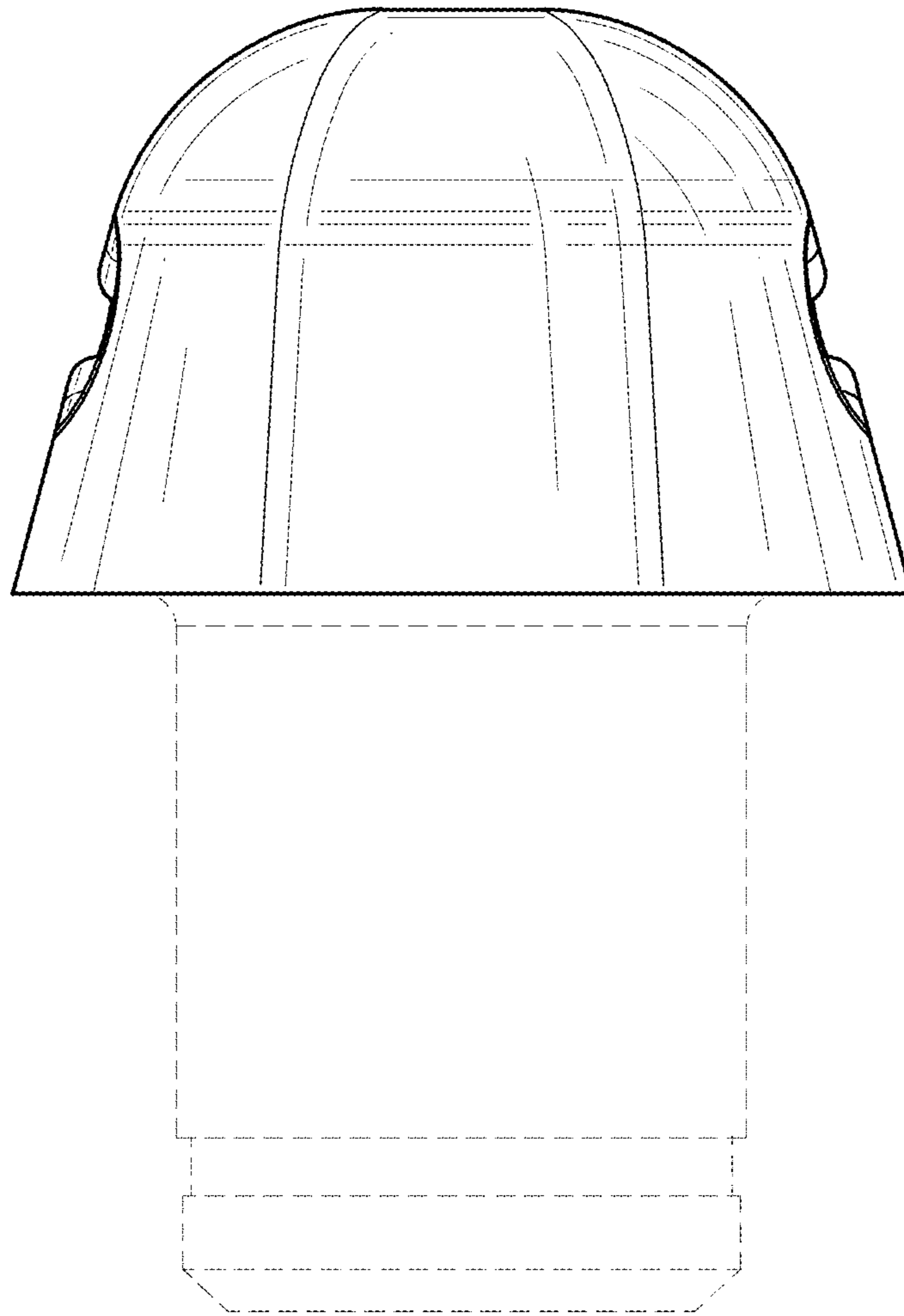


FIG. 3

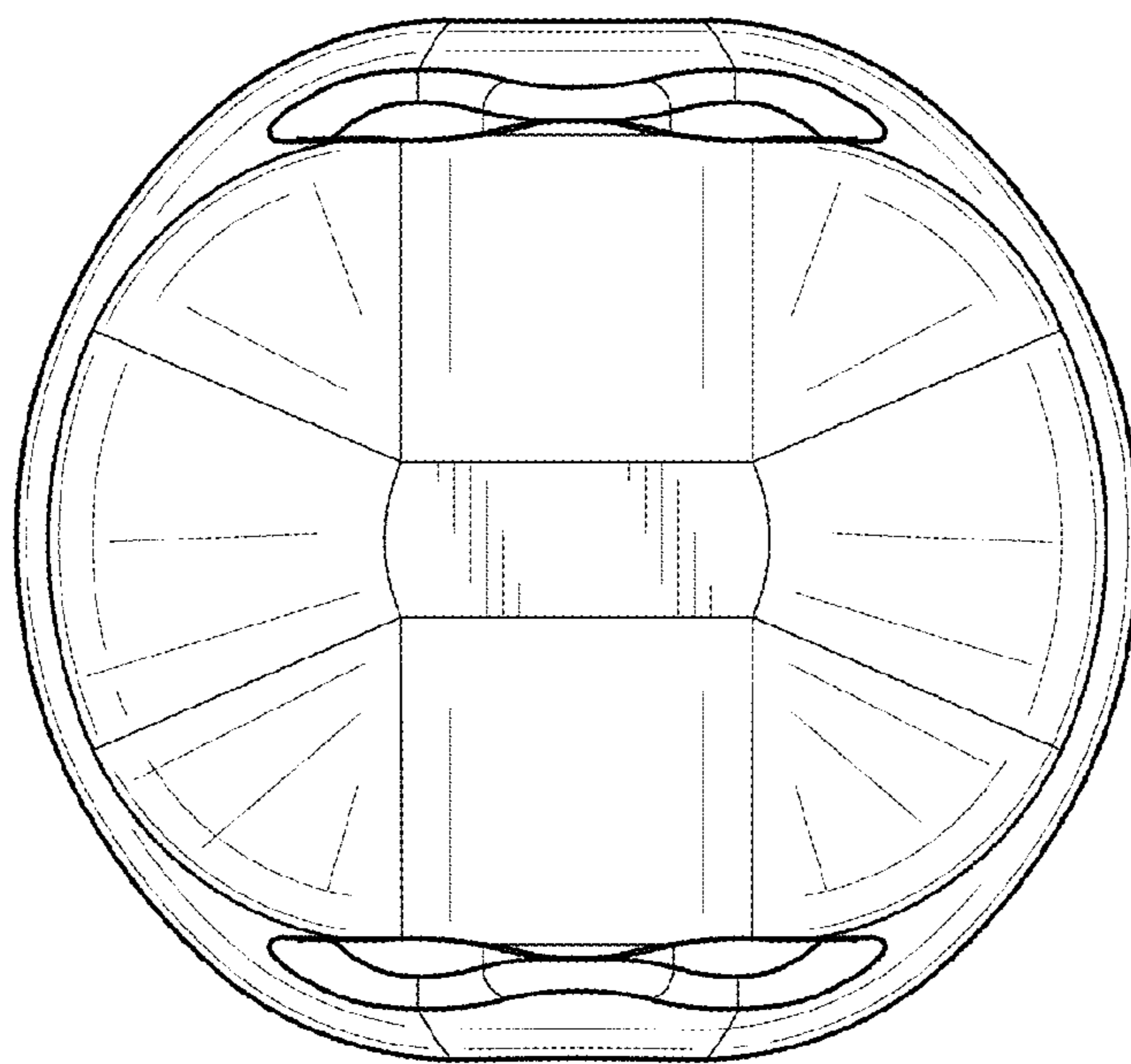


FIG. 4

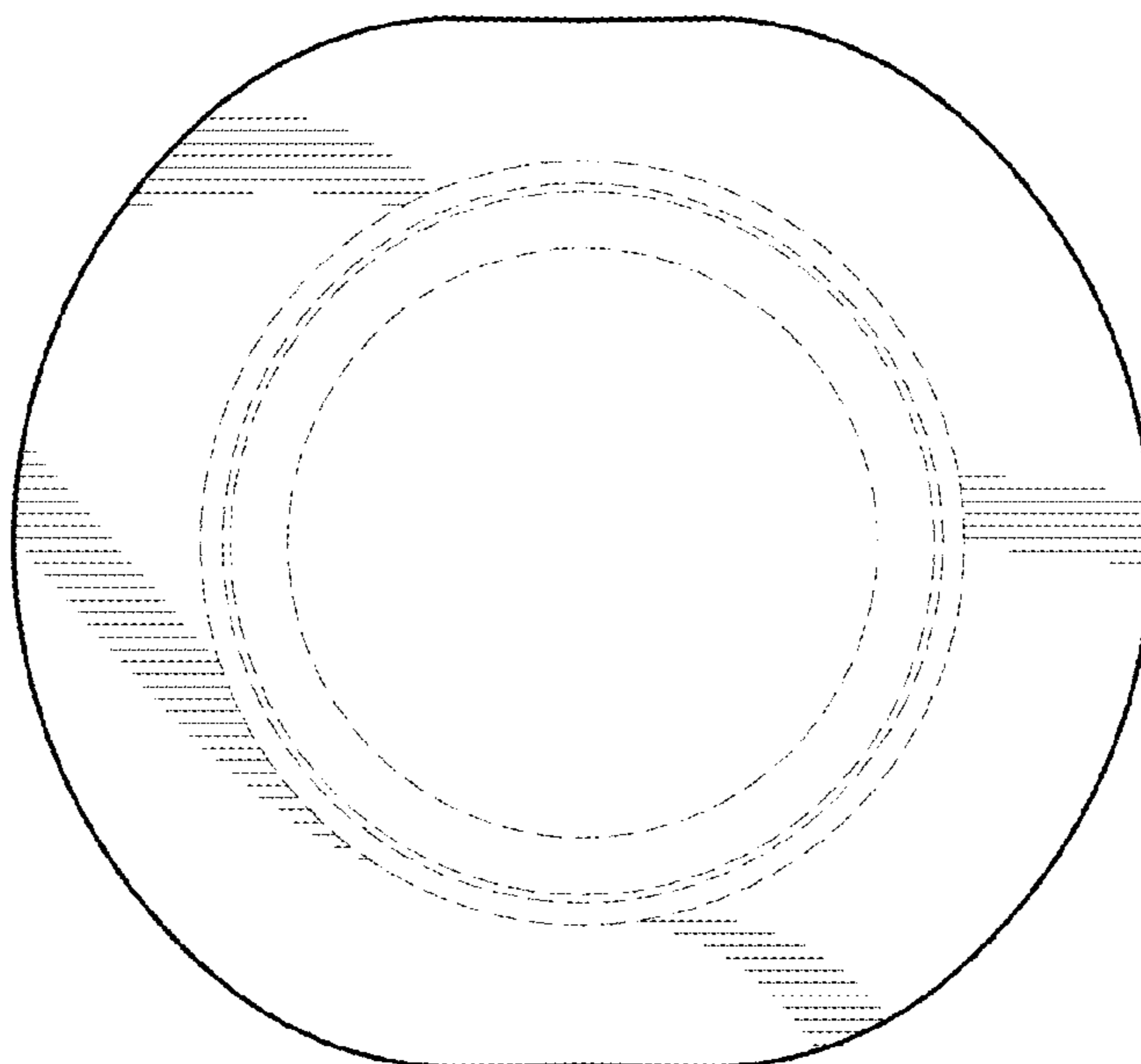


FIG. 5

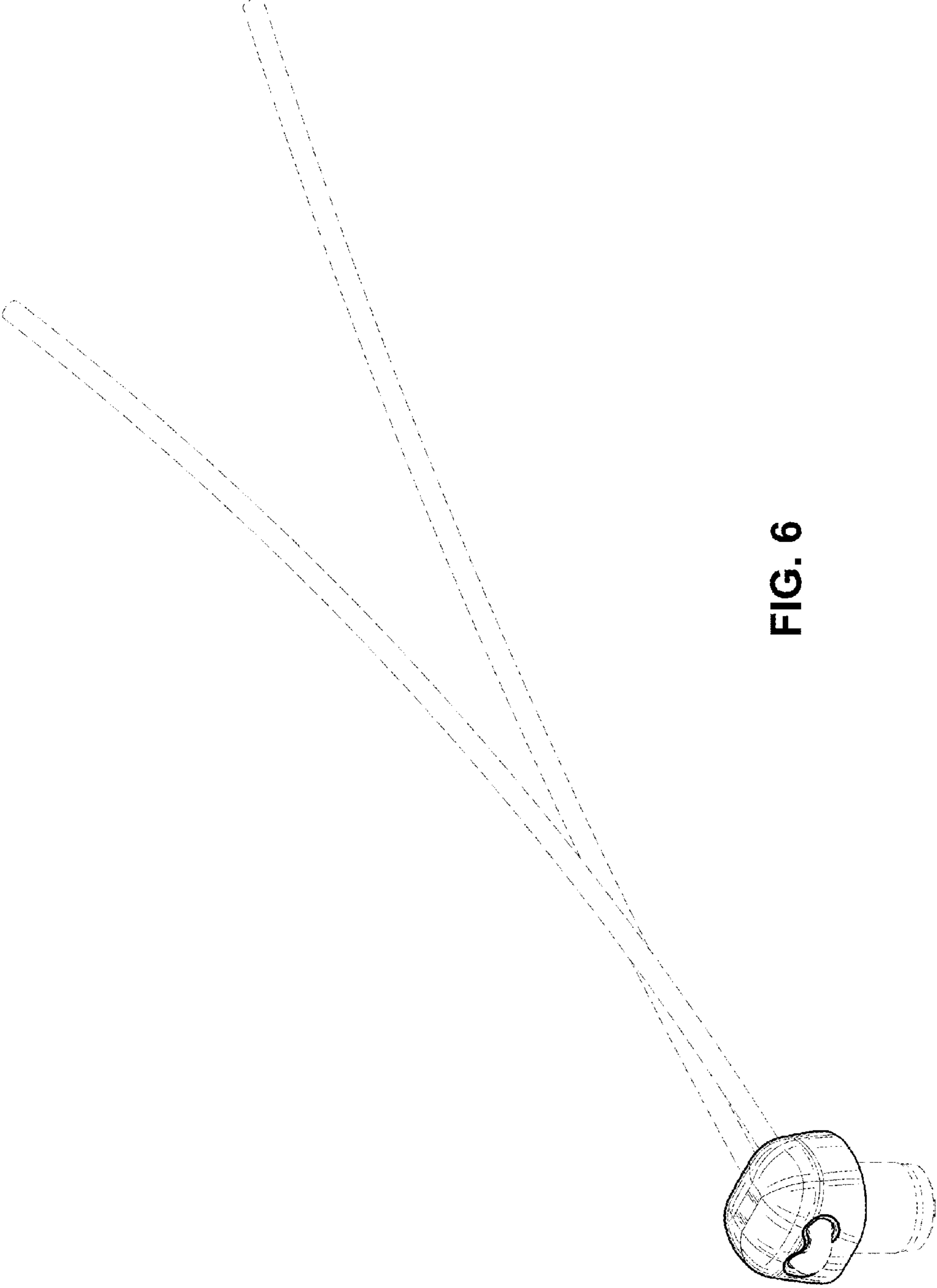


FIG. 6