



US00D756727S

(12) **United States Design Patent**
Cosyleon

(10) **Patent No.:** **US D756,727 S**
(45) **Date of Patent:** **** May 24, 2016**

(54) **SHOVEL WITH TAMPING TOOL**
(71) Applicant: **Prudy Cosyleon**, Pueblo, CO (US)
(72) Inventor: **Prudy Cosyleon**, Pueblo, CO (US)
(**) Term: **14 Years**
(21) Appl. No.: **29/510,119**
(22) Filed: **Nov. 25, 2014**
(51) **LOC (10) Cl.** **08-01**
(52) **U.S. Cl.**
USPC **D8/10**
(58) **Field of Classification Search**
USPC D8/1, 7, 10; D21/398, 532
CPC A01B 1/00; A01B 1/02; A01B 1/022;
A01B 1/026; B25G 1/102; B25G 1/04;
B25G 1/00; Y10T 16/4713
See application file for complete search history.

5,533,578 A * 7/1996 Powell A01B 1/04
172/378
D388,669 S 1/1998 Haver
D395,211 S * 6/1998 Linden D8/10
5,795,000 A * 8/1998 Aldorasi A01B 1/022
294/57
5,926,911 A 7/1999 Chen
D437,532 S * 2/2001 Petruzzelli D8/10
D459,169 S * 6/2002 Clivio D8/10
D487,557 S * 3/2004 Baars D8/10
6,948,208 B1 * 9/2005 Schlenner A01B 1/022
294/51
D534,045 S * 12/2006 Fortier D8/10
D596,906 S 7/2009 Boies
D604,572 S * 11/2009 Randolph D8/10
D621,670 S * 8/2010 Jusidman Rubinstein D8/10
D653,510 S * 2/2012 Huff D8/10
D699,528 S * 2/2014 Randolph D8/10
D710,666 S * 8/2014 Masalin D8/10
2002/0166205 A1 11/2002 Rodriguez
2004/0154132 A1 * 8/2004 Ritrovato B25G 1/10
16/430
2006/0097530 A1 * 5/2006 Marquardt A01B 1/02
294/57
2008/0169662 A1 * 7/2008 Paton A01B 1/02
294/59

(56) **References Cited**

U.S. PATENT DOCUMENTS

206,814 A 8/1878 Milligan
285,594 A * 9/1883 Elliott A01B 1/02
125/43
400,923 A * 4/1889 Little A01B 1/02
137/398
648,321 A * 4/1900 Westerberg A01B 1/02
294/49
798,127 A 8/1905 Burnitt
1,033,074 A 7/1912 Sherman
1,843,120 A 2/1932 Butts
2,166,013 A * 7/1939 McLindon A01B 1/02
294/49
3,848,915 A * 11/1974 Wherry A01G 23/04
294/49
D242,520 S * 11/1976 Nollar D8/10
D267,772 S * 2/1983 Heimdal D8/9
D343,102 S * 1/1994 Tanner D8/10
D362,164 S * 9/1995 Butcher 294/49

* cited by examiner

Primary Examiner — Sheryl Lane
Assistant Examiner — Ieisha Price

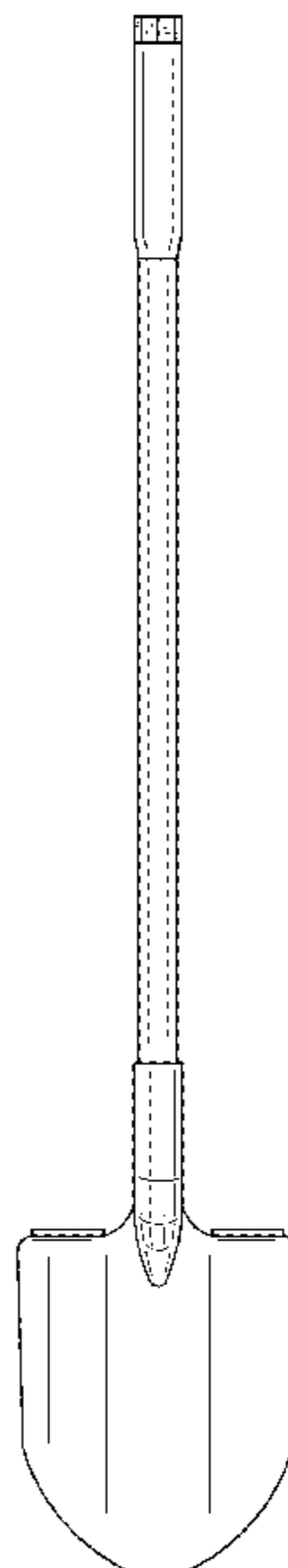
(57) **CLAIM**

I claim the ornamental design for a shovel with tamping tool, as shown and described.

DESCRIPTION

FIG. 1 is a front view of the shovel with tamping tool.
FIG. 2 is a rear view thereof;
FIG. 3 is a side view thereof;
FIG. 4 is a top view thereof; and,
FIG. 5 is a bottom view thereof.

1 Claim, 2 Drawing Sheets



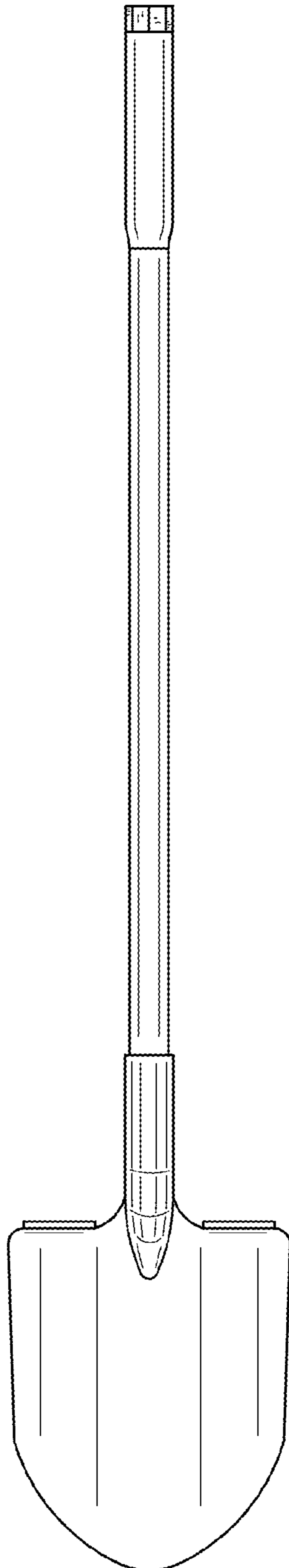


FIG. 1

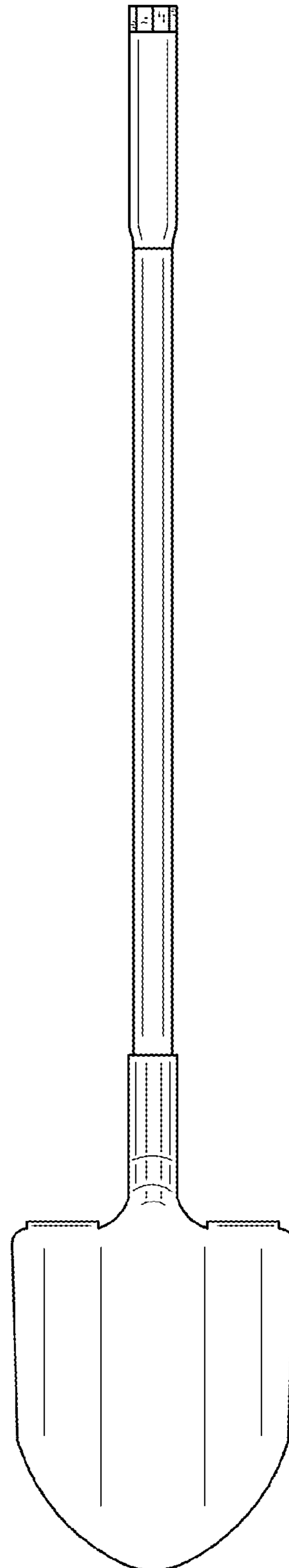


FIG. 2

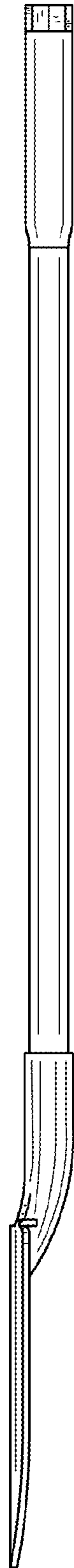


FIG. 3



FIG. 4

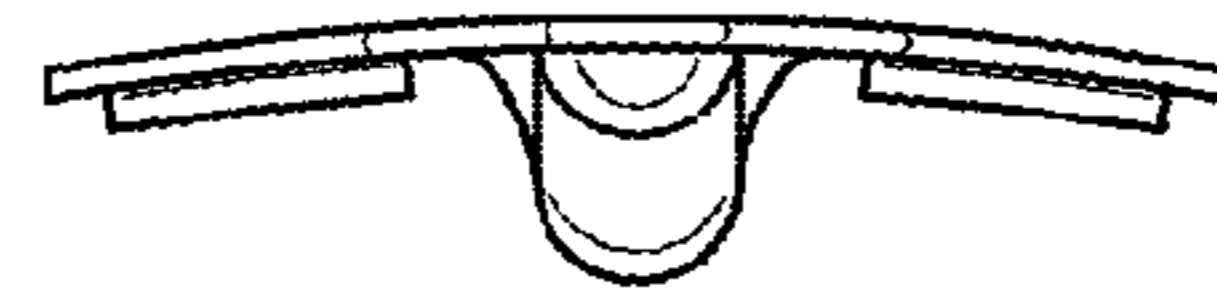


FIG. 5