



US00D756725S

(12) **United States Design Patent**
Gessner et al.

(10) **Patent No.:** **US D756,725 S**

(45) **Date of Patent:** **** May 24, 2016**

(54) **LEVER SPEAR**

(71) Applicant: **The Prong Company Pty Ltd,**
Queensland (AU)

(72) Inventors: **Noel Gessner,** Queensland (AU); **Peter Nicol,** Queensland (AU)

(73) Assignee: **The Prong Company Pty Ltd,**
Queensland (AU)

(**) Term: **14 Years**

(21) Appl. No.: **29/489,380**

(22) Filed: **Apr. 29, 2014**

(51) **LOC (10) Cl.** **08-01**

(52) **U.S. Cl.**
USPC **D8/9; D8/89**

(58) **Field of Classification Search**
USPC D8/1, 6, 7, 9, 10, 11, 12, 47, 88, 89;
D21/532
CPC A01B 1/00; B25C 11/00; B66F 15/00;
E04D 15/003
See application file for complete search history.

(56) **References Cited**

U.S. PATENT DOCUMENTS

178,053 A * 5/1876 Frank 254/25
2,716,538 A * 8/1955 Arrowood 254/131.5
D277,359 S * 1/1985 Schiller D8/89

D300,714 S * 4/1989 Skibell D8/9
D301,301 S * 5/1989 Buckley, Jr. D8/89
D318,992 S * 8/1991 Anderson D8/6
5,156,101 A * 10/1992 Wien 111/101
D351,538 S * 10/1994 Gatewood D8/9
D510,852 S * 10/2005 Cunningham D8/89
D719,429 S * 12/2014 Gillogly D8/89
D726,522 S * 4/2015 Wells D8/88
2005/0173685 A1 * 8/2005 Skach 254/25
2007/0256523 A1 * 11/2007 Cox 81/45
2009/0038443 A1 * 2/2009 Haight 81/45

* cited by examiner

Primary Examiner — Sheryl Lane

Assistant Examiner — Ieisha Price

(74) *Attorney, Agent, or Firm* — Wegman, Hessler & Vanderburg

(57) **CLAIM**

The ornamental design for a lever spear, as shown and described.

DESCRIPTION

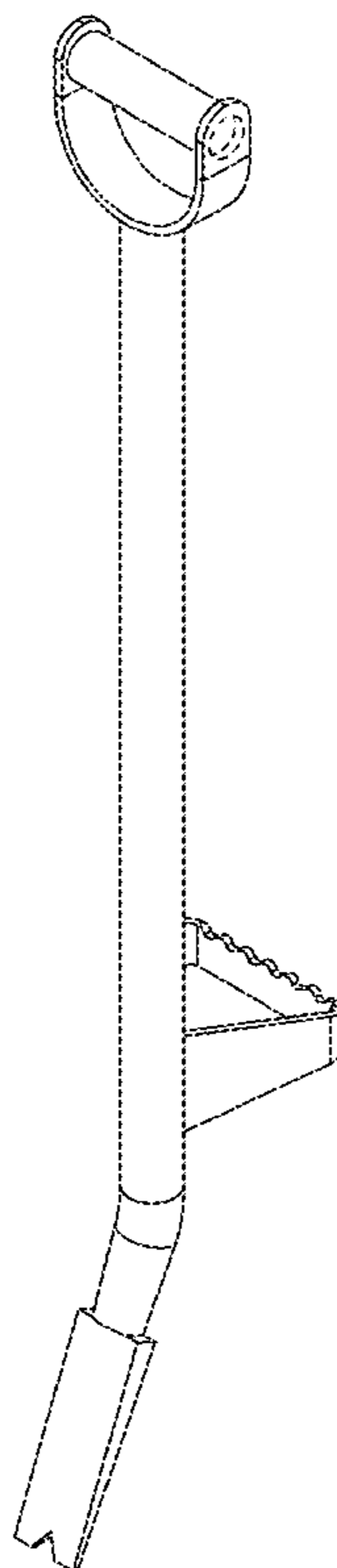
FIG. 1 is a front perspective view of a lever spear of the present invention;

FIG. 2 is top view thereof; and,

FIG. 3 is a first side view thereof, wherein the second side view is a mirror image thereof.

The broken lines in the drawings illustrate portions of the lever spear and form no part of the claimed design.

1 Claim, 3 Drawing Sheets



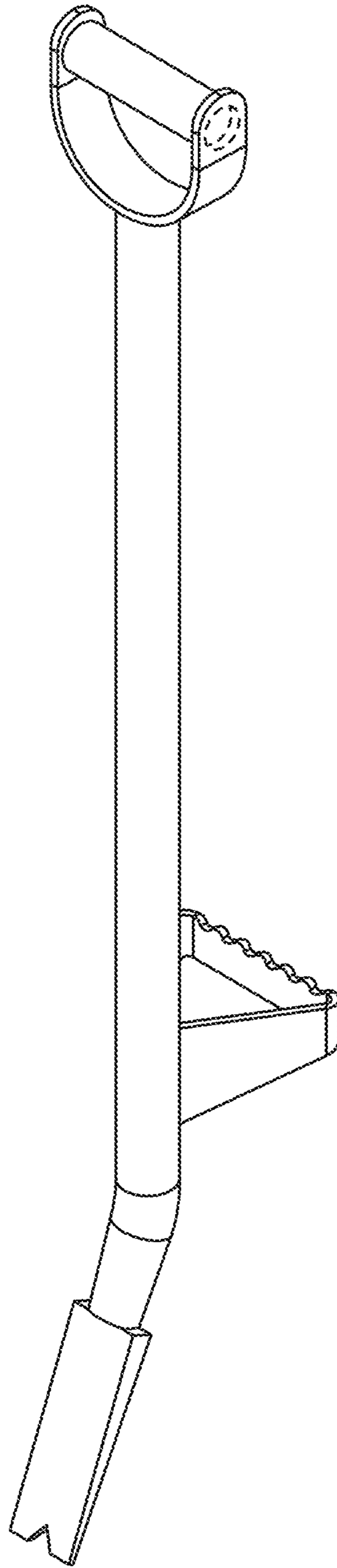


FIG. 1

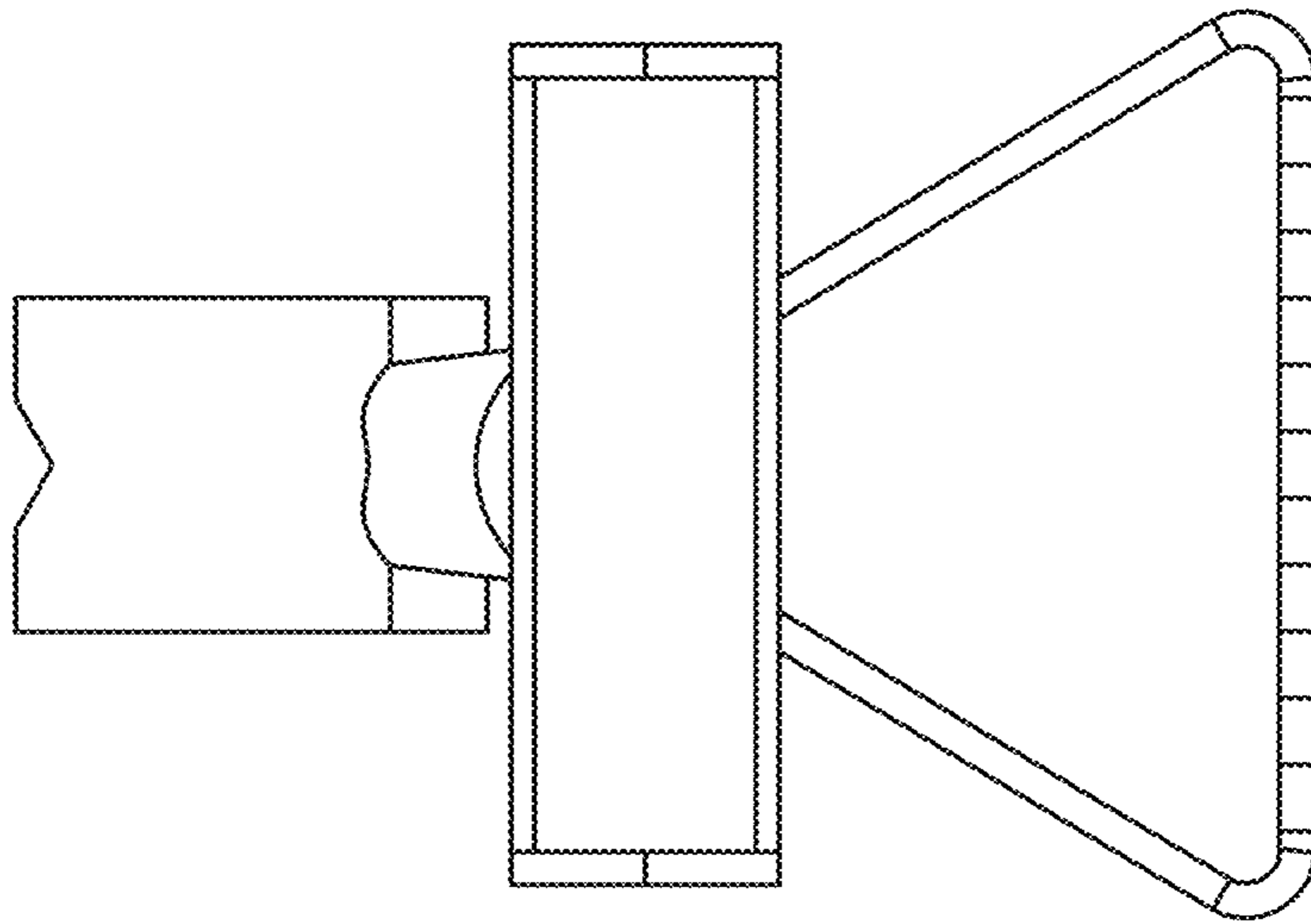


FIG. 2

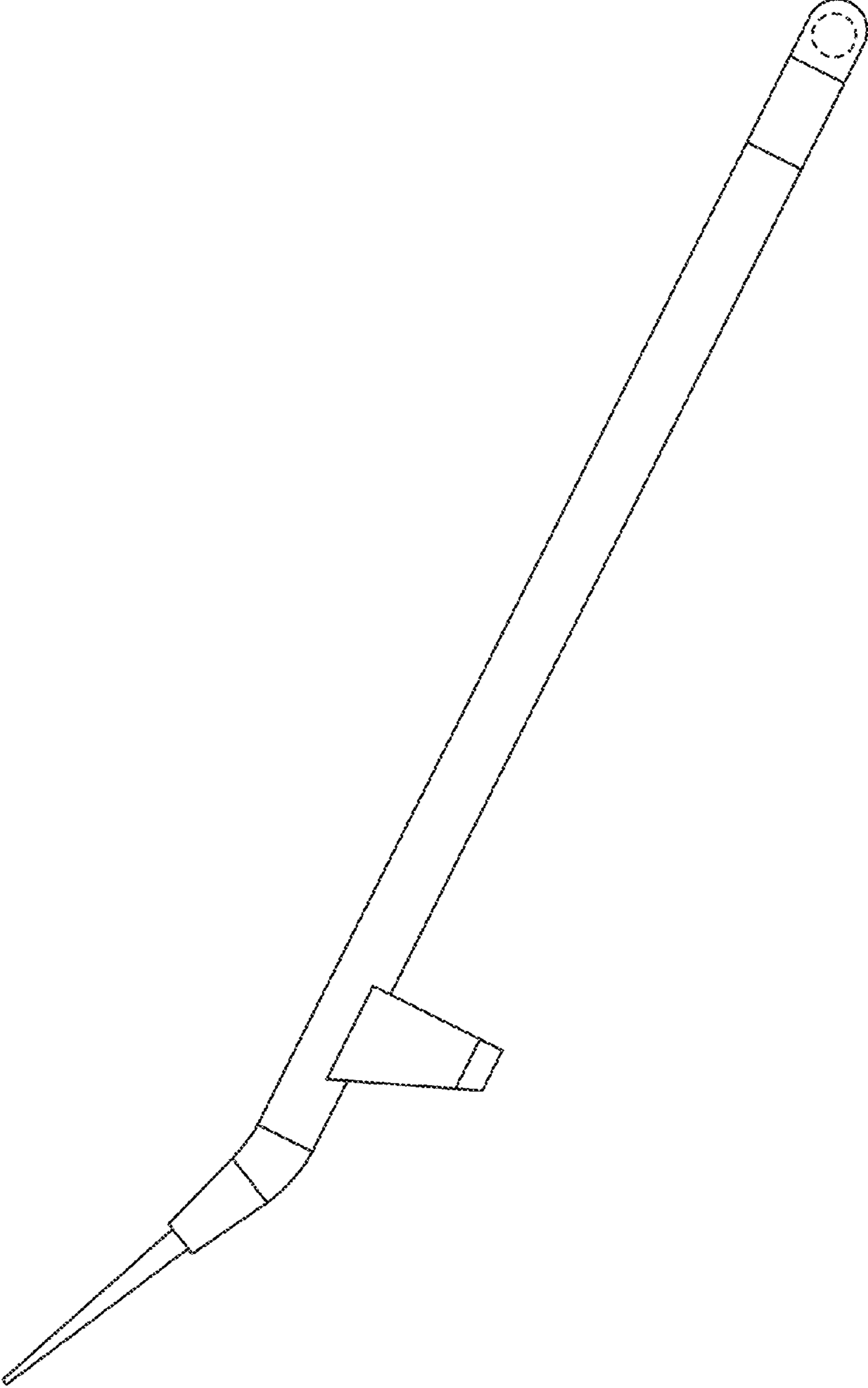


FIG. 3