



US00D756723S

(12) **United States Design Patent**  
**Cash**

(10) **Patent No.:** **US D756,723 S**

(45) **Date of Patent:** **\*\* May 24, 2016**

(54) **WINE STORAGE APPARATUS**

(71) Applicant: **James Cash**, East Lansing, MI (US)

(72) Inventor: **James Cash**, East Lansing, MI (US)

(73) Assignee: **James Cash**, East Lansing, MI (US)

(\*\*) Term: **14 Years**

(21) Appl. No.: **29/482,210**

(22) Filed: **Feb. 14, 2014**

(51) **LOC (10) Cl.** ..... **06-04**

(52) **U.S. Cl.**  
USPC ..... **D7/704**

(58) **Field of Classification Search**  
USPC ..... D7/701-708; 211/74, 75, 181.1  
CPC ..... A47B 73/008; A47B 73/00; A47B 7/002;  
A47B 73/004; A47B 73/006  
See application file for complete search history.

(56) **References Cited**

		U.S. PATENT DOCUMENTS		
D295,128	S *	4/1988	Gentile	D7/704
5,711,436	A *	1/1998	Moeller et al.	211/94.02
6,244,554	B1 *	6/2001	Baker	248/312
6,454,108	B1	9/2002	Gerard	
6,981,597	B2	1/2006	Cash	
D591,569	S	5/2009	Cash	
D618,524	S *	6/2010	Nesil et al.	D7/704
D627,611	S	11/2010	Cash	
D634,992	S *	3/2011	McNamee	D7/704
8,132,871	B1	3/2012	Caruso	
D675,491	S *	2/2013	McNamee	D7/704
2005/0258118	A1 *	11/2005	Lee et al.	211/134
2013/0334155	A1 *	12/2013	Kasza et al.	211/75

\* cited by examiner

Primary Examiner — Terry Wallace

(74) *Attorney, Agent, or Firm* — Fitch, Even, Tabin & Flannery LLP

(57) **CLAIM**

The ornamental design for a wine storage apparatus, as shown and described.

**DESCRIPTION**

FIG. 1 is a perspective view of a wine storage apparatus showing my new design.

FIG. 2 is a top plan view thereof, the opposite side being identical.

FIG. 3 is a right side view thereof, the opposite side being identical.

FIG. 4 is a front view thereof, the opposite side being identical.

FIG. 5 is a perspective view of an alternate embodiment of FIG. 1.

FIG. 6 is a top plan view of FIG. 5, the opposite side being identical.

FIG. 7 is a right side view of FIG. 5, the opposite side being identical; and,

FIG. 8 is a front view of FIG. 5, the opposite side being identical.

The broken lines are for illustrative purposes only and form no part of the claimed design. The break lines illustrated in the center of the FIGS. 5-8 are not part of the claimed design and represent that no particular length is claimed.

**1 Claim, 6 Drawing Sheets**

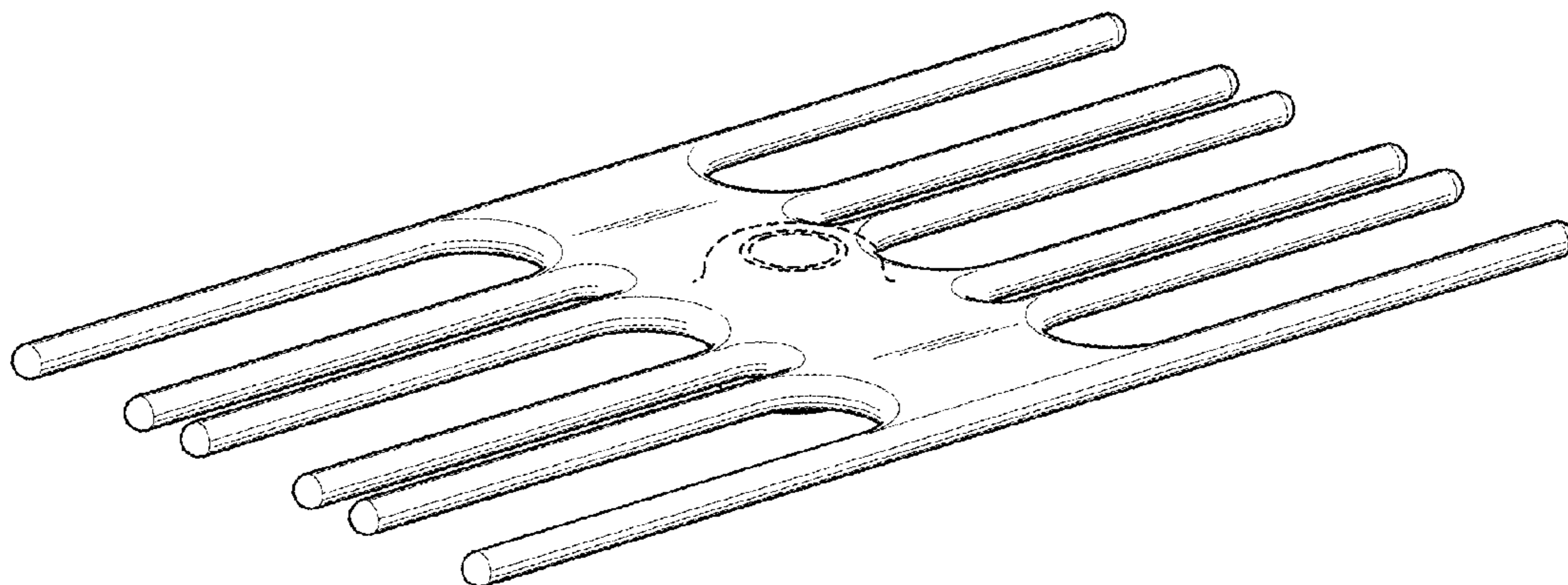


Fig. 1

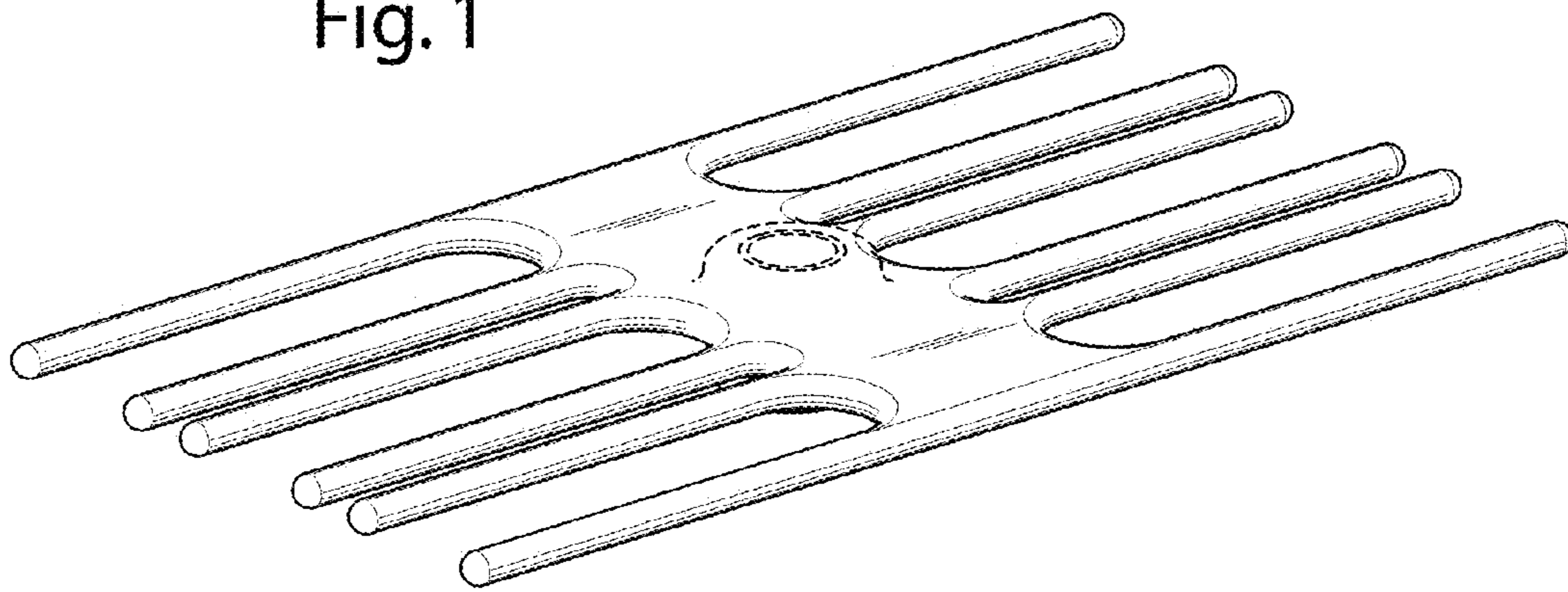


FIG. 2

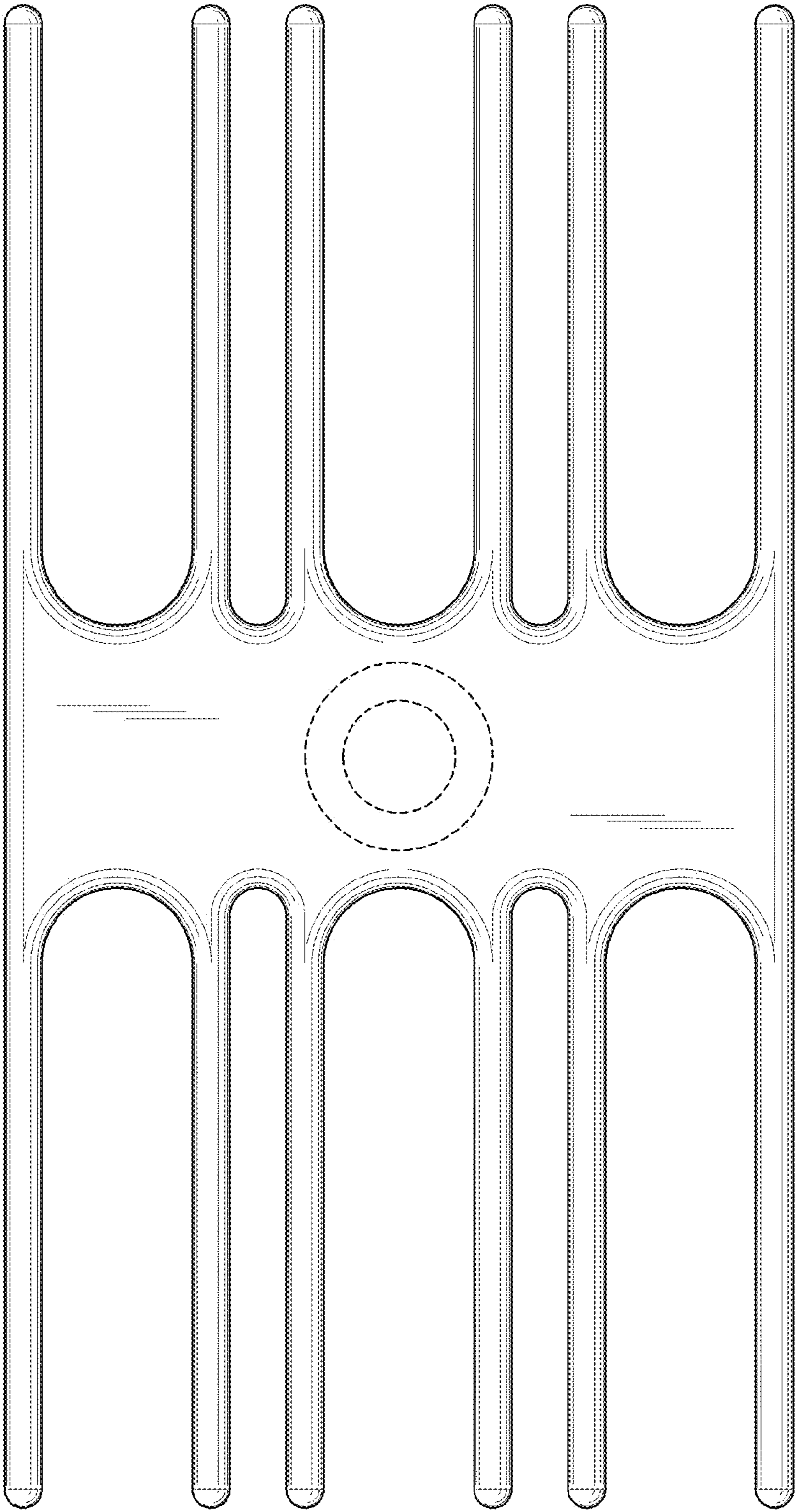


FIG. 3



FIG. 4

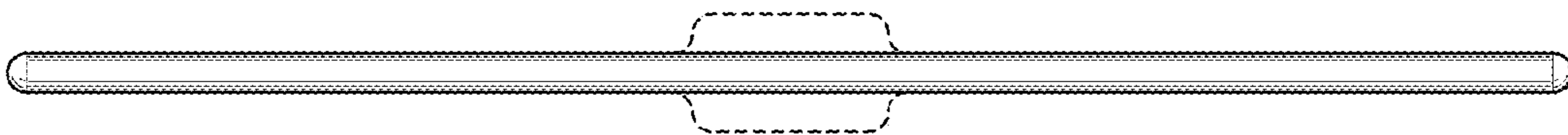




Fig. 5

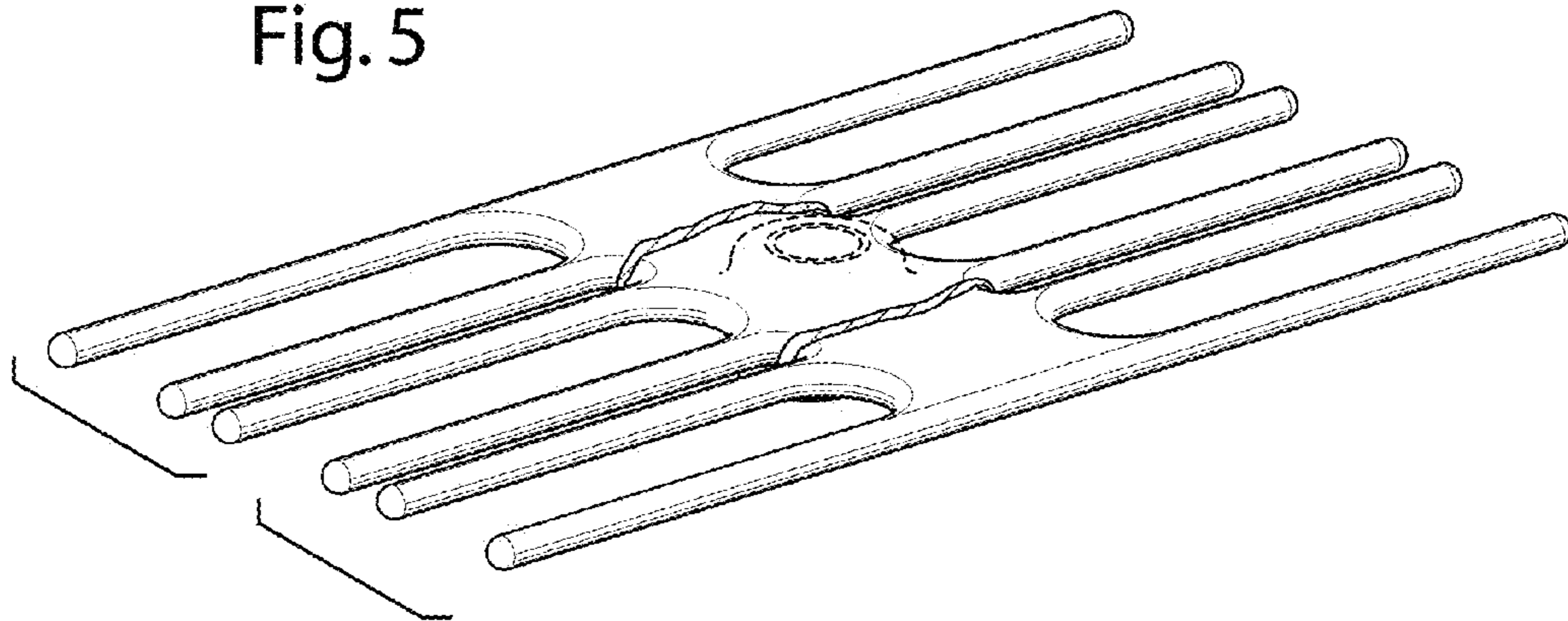


FIG. 6

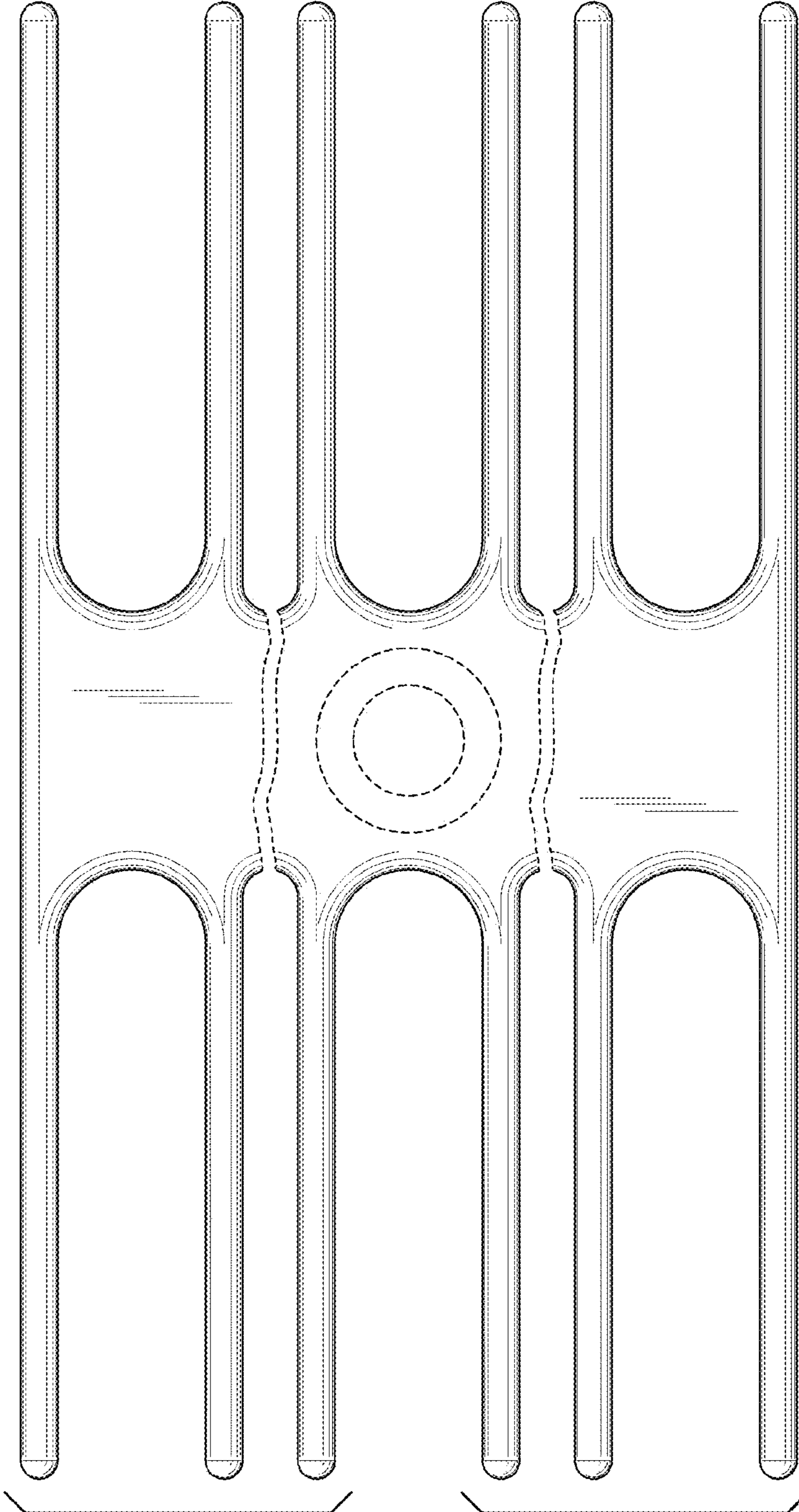


FIG. 7

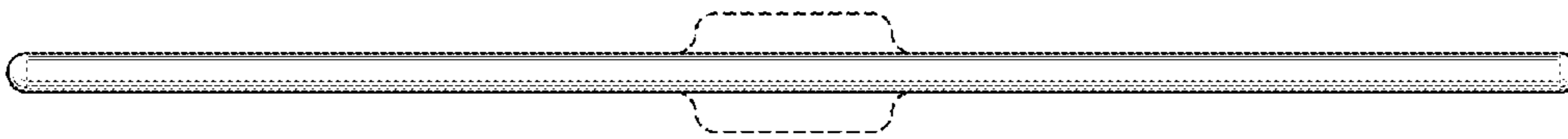


FIG. 8

