



US00D756722S

(12) **United States Design Patent**  
**Wong**

(10) **Patent No.:** **US D756,722 S**  
(45) **Date of Patent:** **\*\* May 24, 2016**

(54) **ICE CREAM SCOOP**

(71) Applicant: **King's Flair Development Ltd.**, Hong Kong (HK)

(72) Inventor: **Siu Wah Wong**, Hong Kong (HK)

(73) Assignee: **King's Flair Development Ltd.**, Hong Kong (HK)

(\*\*) Term: **14 Years**

(21) Appl. No.: **29/513,305**

(22) Filed: **Dec. 30, 2014**

(51) **LOC (10) Cl.** ..... **07-99**

(52) **U.S. Cl.**  
USPC ..... **D7/681**

(58) **Field of Classification Search**  
USPC ..... D7/680-696, 393, 395  
CPC ..... F24B 15/06; A23P 1/105; A47J 43/282;  
A21C 5/00; A23G 9/287; A23G 9/283;  
A47F 13/08

See application file for complete search history.

(56) **References Cited**

U.S. PATENT DOCUMENTS

|              |        |            |       |        |
|--------------|--------|------------|-------|--------|
| D329,784 S * | 9/1992 | Wong       | ..... | D7/681 |
| D391,811 S * | 3/1998 | Molo       | ..... | D7/681 |
| D475,899 S * | 6/2003 | Ming-Shiue | ..... | D7/681 |
| D487,676 S * | 3/2004 | Overthun   | ..... | D7/681 |
| D617,155 S * | 6/2010 | Frank      | ..... | D7/681 |
| D630,063 S * | 1/2011 | Funka, Jr. | ..... | D7/681 |

\* cited by examiner

*Primary Examiner* — Terry Wallace

(74) *Attorney, Agent, or Firm* — Wendy K. Marsh

(57) **CLAIM**

The ornamental design for an ice cream scoop, as shown and described.

**DESCRIPTION**

FIG. 1 is a perspective view of the ice cream scoop showing my new design.

FIG. 2 is a bottom perspective view thereof.

FIG. 3 is an end view thereof.

FIG. 4 is an opposite end view thereof.

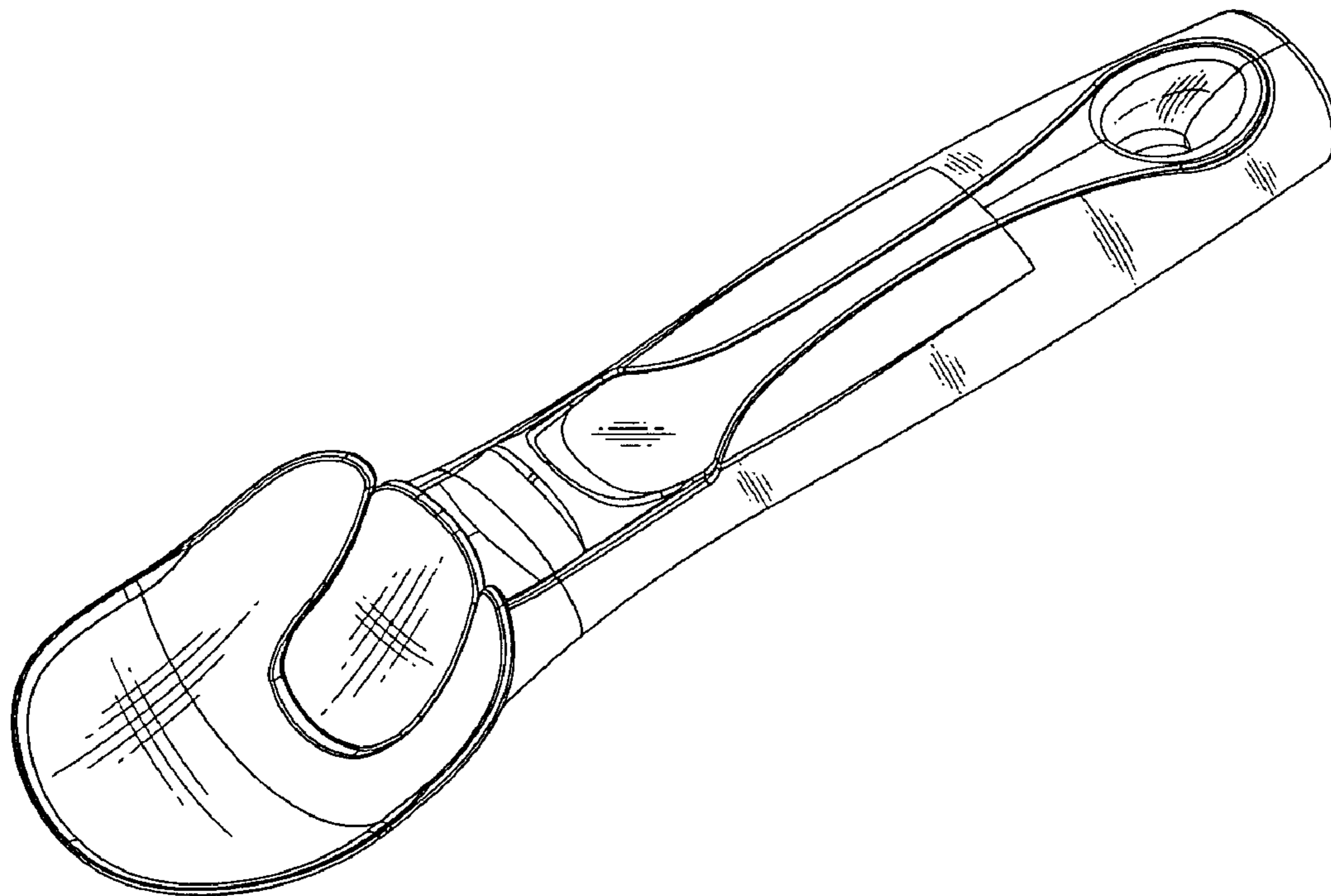
FIG. 5 is a side elevation view thereof.

FIG. 6 is an opposite side elevation view thereof.

FIG. 7 is a top plan view thereof; and,

FIG. 8 is a bottom plan view thereof.

**1 Claim, 8 Drawing Sheets**



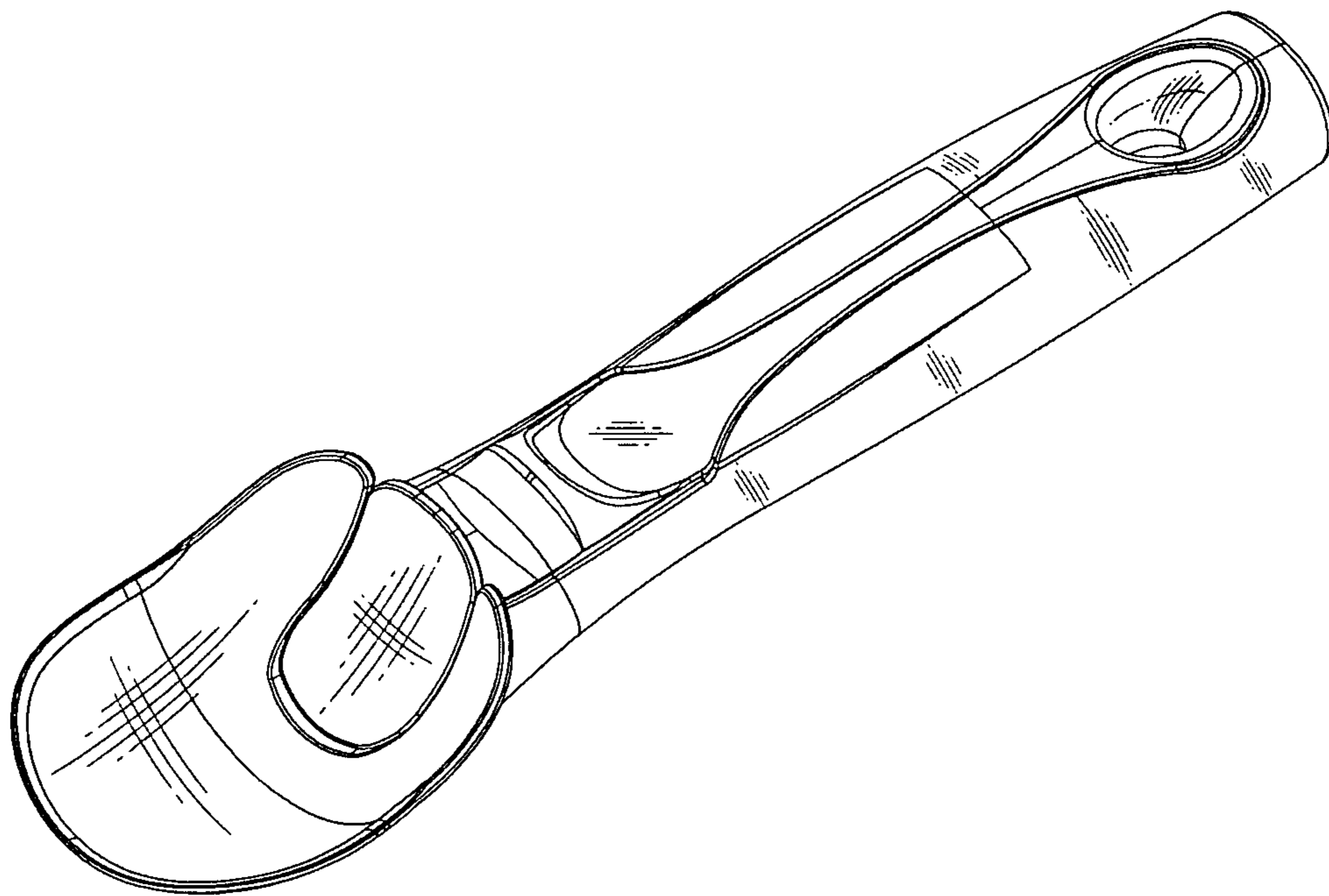


Fig. 1

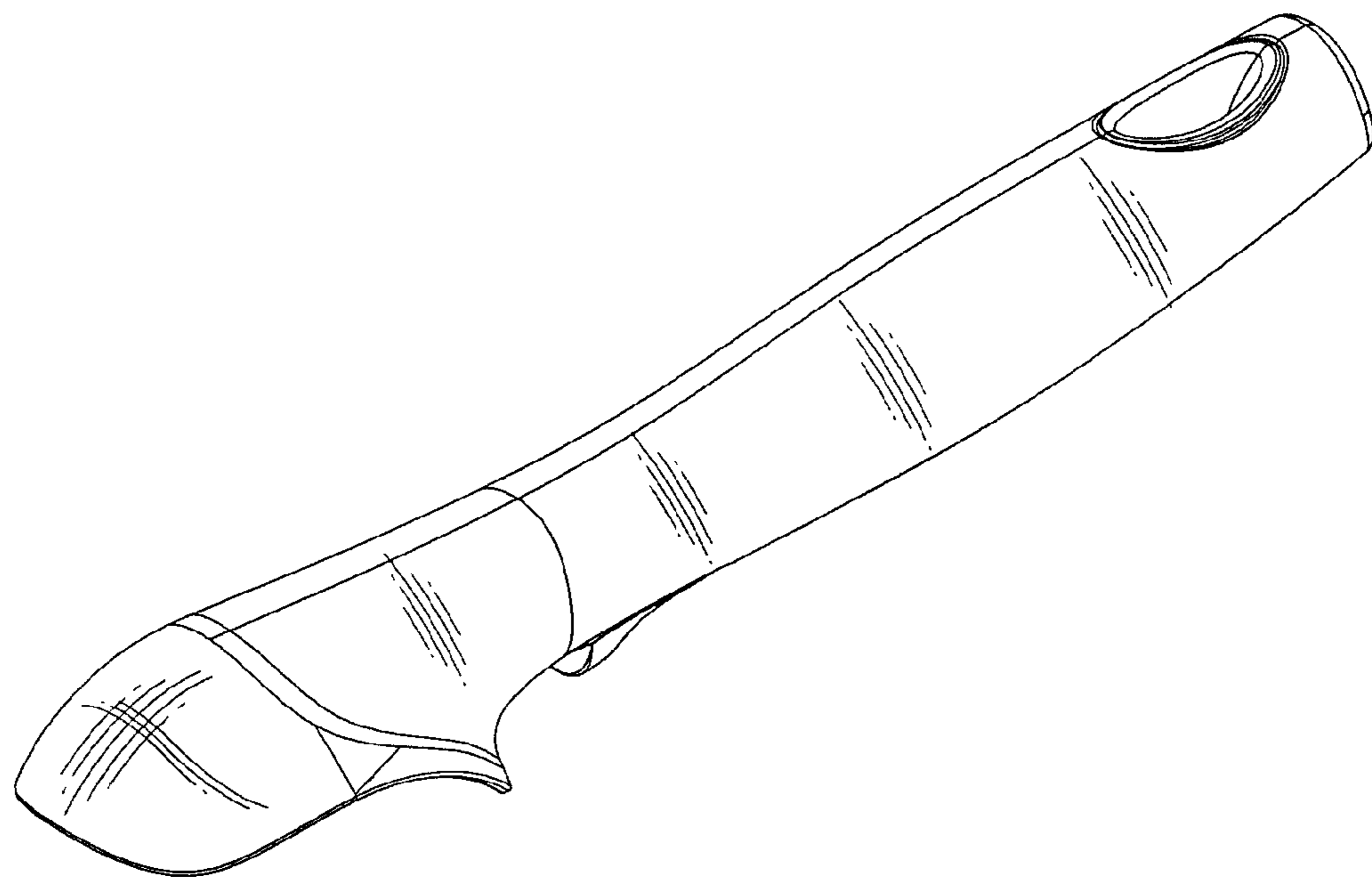


Fig. 2

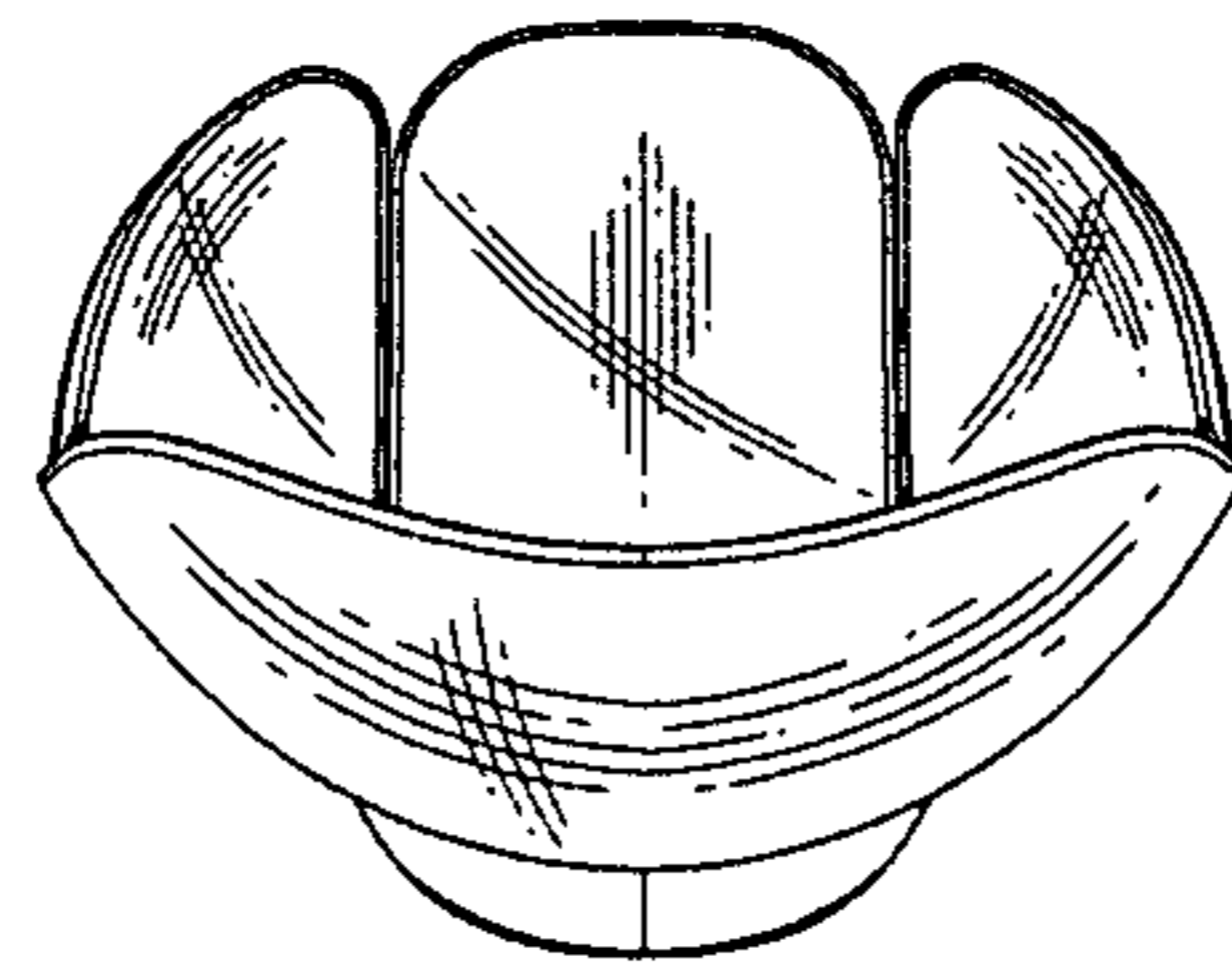


Fig. 3

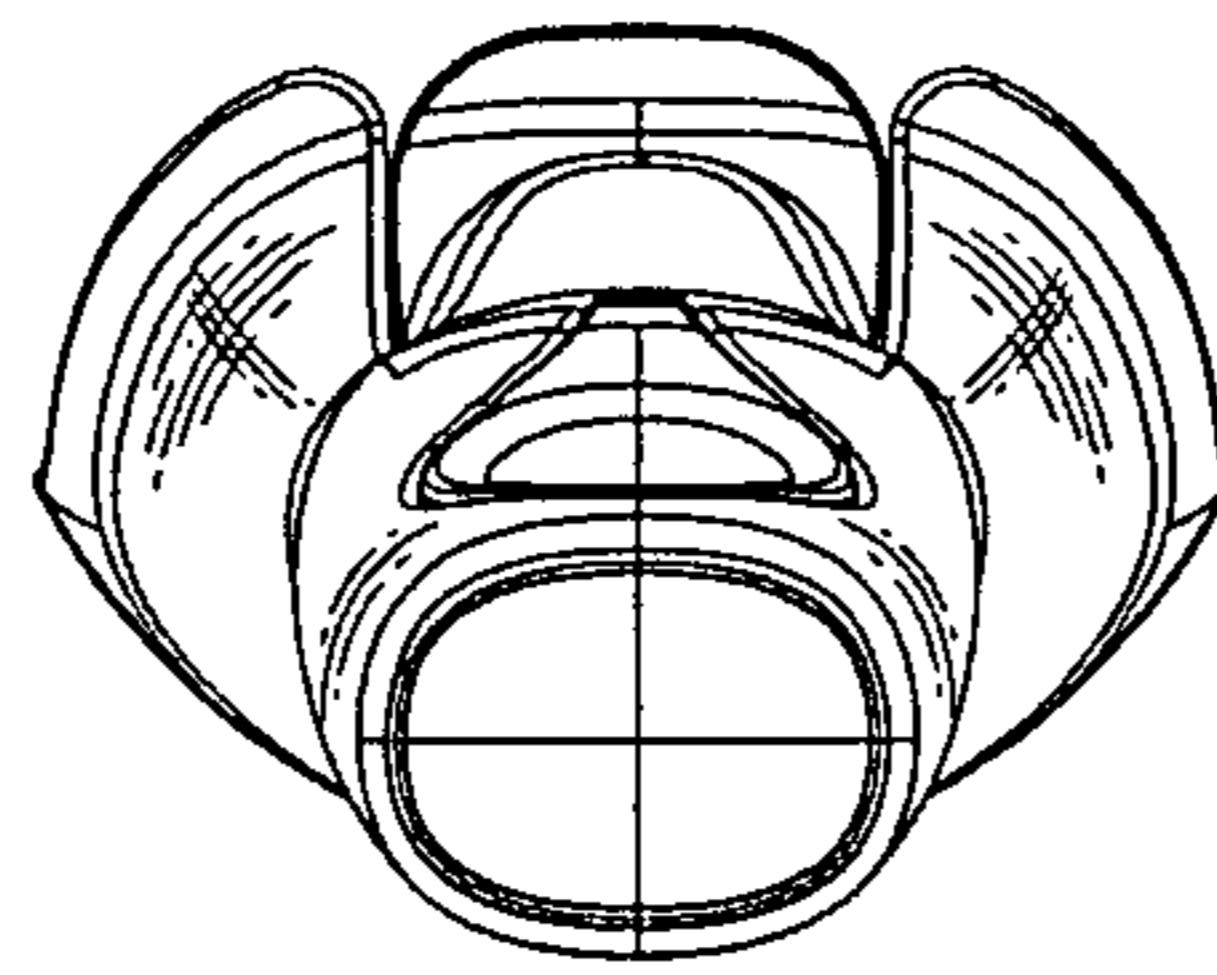


Fig. 4

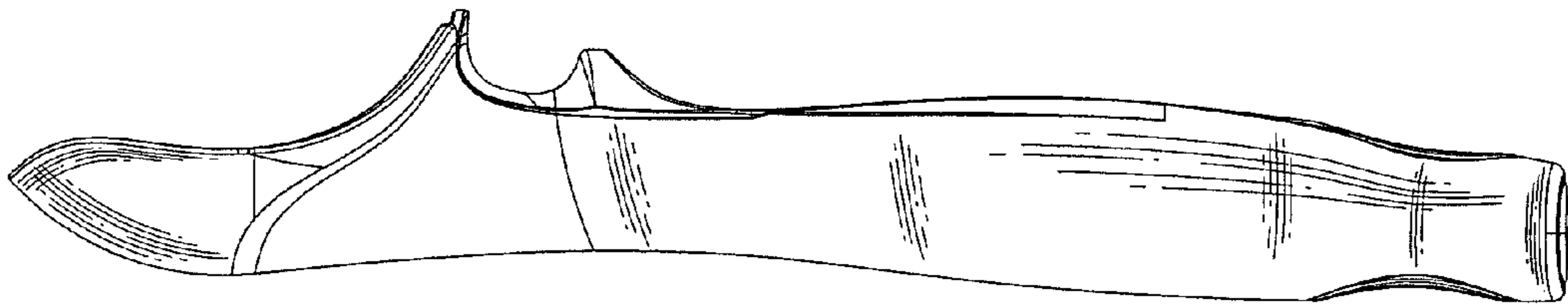


Fig. 5

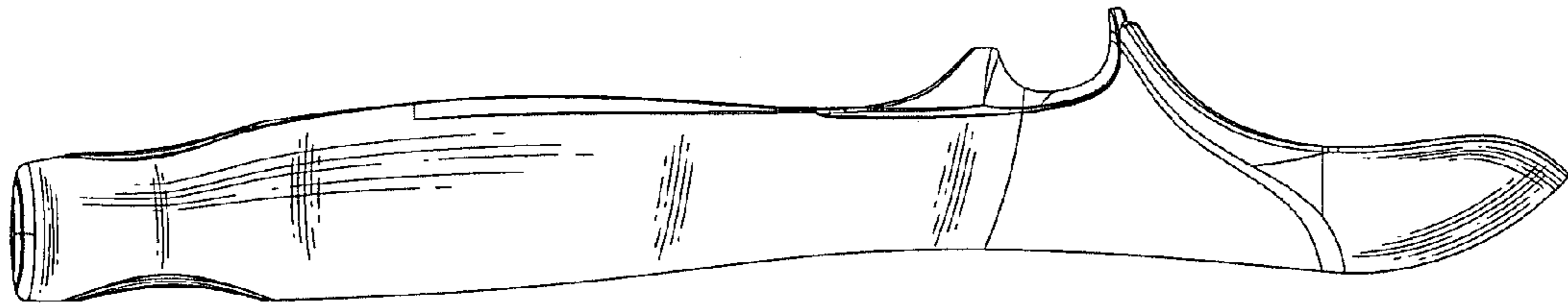


Fig. 6

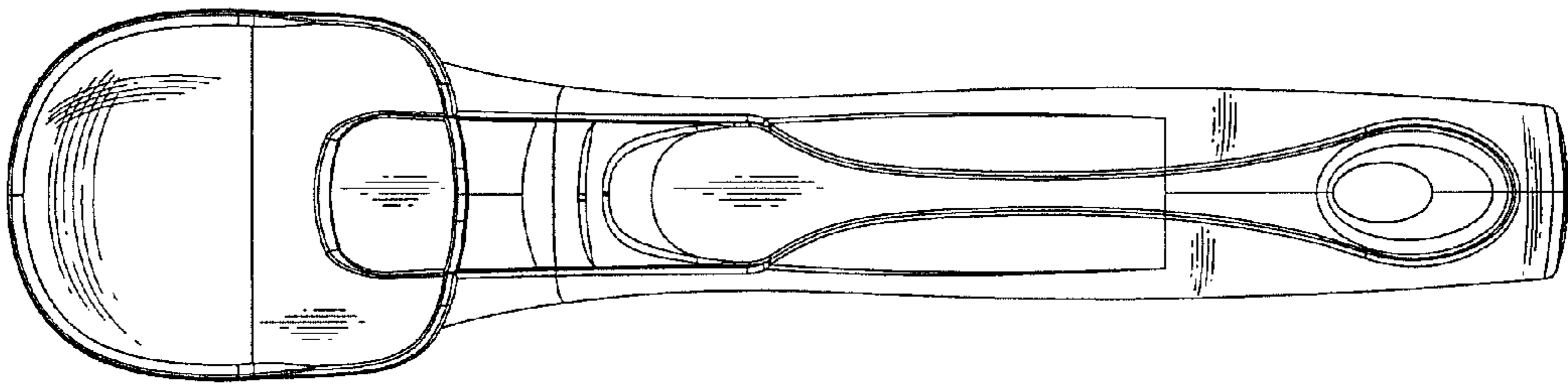


Fig. 7



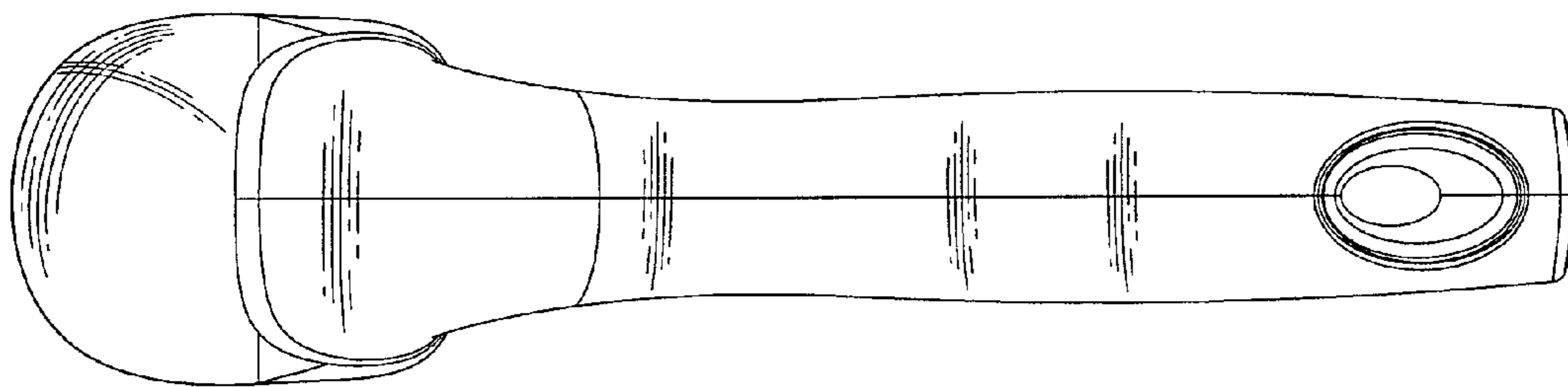


Fig. 8