



US00D756721S

(12) **United States Design Patent**
Pietrzyk

(10) **Patent No.:** **US D756,721 S**

(45) **Date of Patent:** **** May 24, 2016**

(54) **PEPPER MILL SET WITH PEPPER MILL,
TRAY AND PEPPER REFILLS**

(71) Applicant: **Jeremy Pietrzyk**, Quingey (FR)

(72) Inventor: **Jeremy Pietrzyk**, Quingey (FR)

(73) Assignee: **PSP (SOCIÉTÉ PAR ACTIONS
SIMPLIFIÉE**, Quingey (FR)

(**) Term: **14 Years**

(21) Appl. No.: **29/507,595**

(22) Filed: **Oct. 29, 2014**

(30) **Foreign Application Priority Data**

Apr. 30, 2014 (EM) 002455766-001

(51) **LOC (10) Cl.** **07-04**

(52) **U.S. Cl.**
USPC **D7/679**

(58) **Field of Classification Search**
USPC D7/679, 590–597, 372, 373, 374, 383,
D7/384, 550.1, 553.1–554.4
CPC A47J 42/08; A47J 42/38; A47J 42/04;
A47J 42/46; A47J 42/18; A47J 42/40; A47J
42/14; A47J 42/34; B02C 18/24; B02C 18/08
See application file for complete search history.

(56) **References Cited**

U.S. PATENT DOCUMENTS

3,734,417 A *	5/1973	Russell	A47J 42/38 241/168
D233,583 S *	11/1974	Salviato	D7/592
D241,905 S *	10/1976	Epperson	D7/590
D373,512 S *	9/1996	Hong	D7/592
D438,065 S *	2/2001	Young	D7/591
D468,162 S *	1/2003	Martin	D7/592
D495,212 S *	8/2004	Martin	D7/592
D574,199 S *	8/2008	Griffith	D7/679

* cited by examiner

Primary Examiner — Terry Wallace

(74) *Attorney, Agent, or Firm* — Egbert Law Offices, PLLC

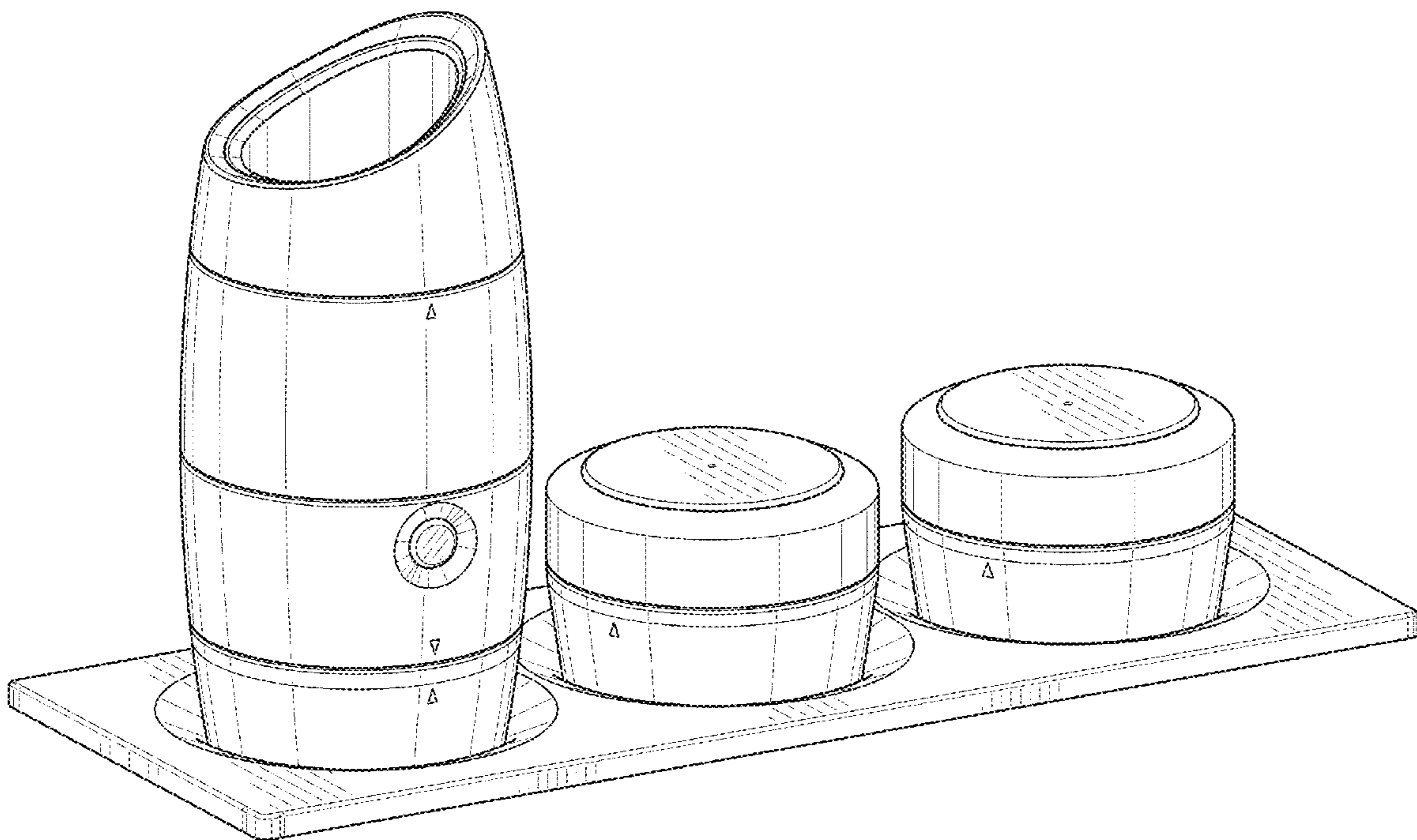
(57) **CLAIM**

The ornamental design for a pepper mill set with pepper mill, tray and pepper refills, as shown and described.

DESCRIPTION

FIG. 1 is an upper perspective view of a pepper mill set with pepper mill, tray and pepper refills showing my new design. FIG. 2 is front view thereof; FIG. 3 is a rear view thereof; FIG. 4 is a side view thereof; FIG. 5 is an opposite side view thereof; FIG. 6 is a top plan view thereof; and, FIG. 7 is a bottom plan view thereof.

1 Claim, 6 Drawing Sheets



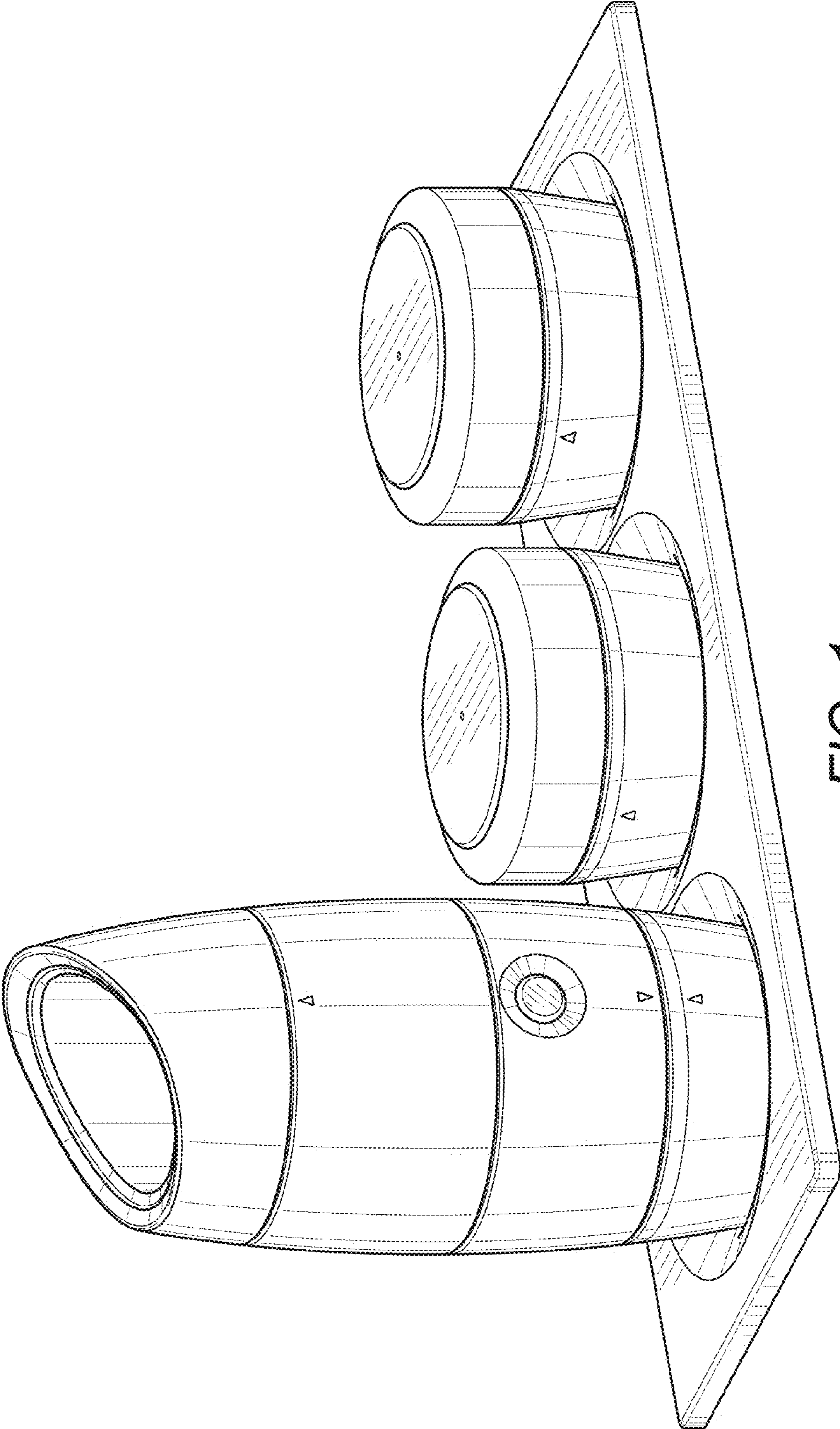


FIG. 1

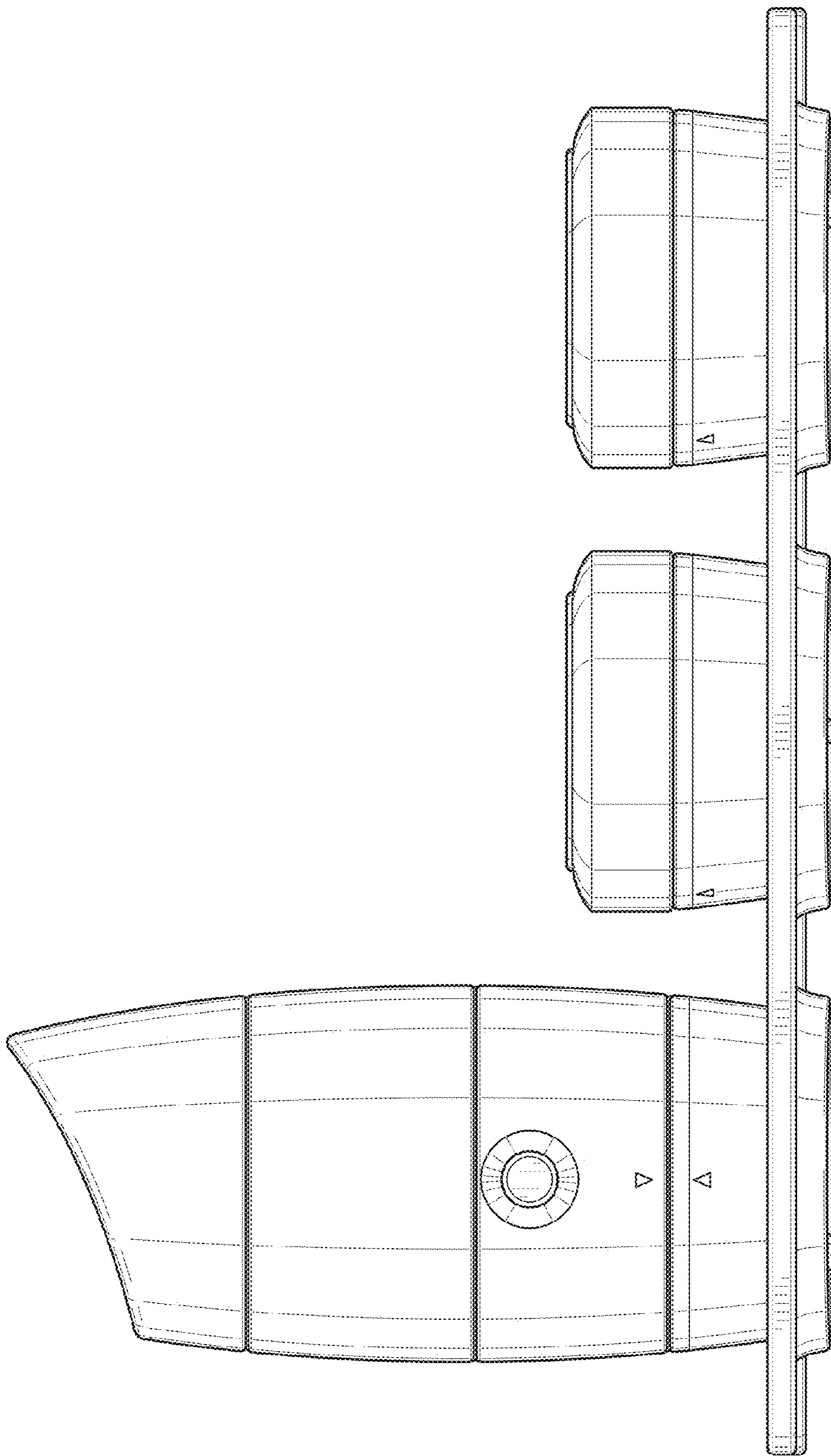


FIG. 2

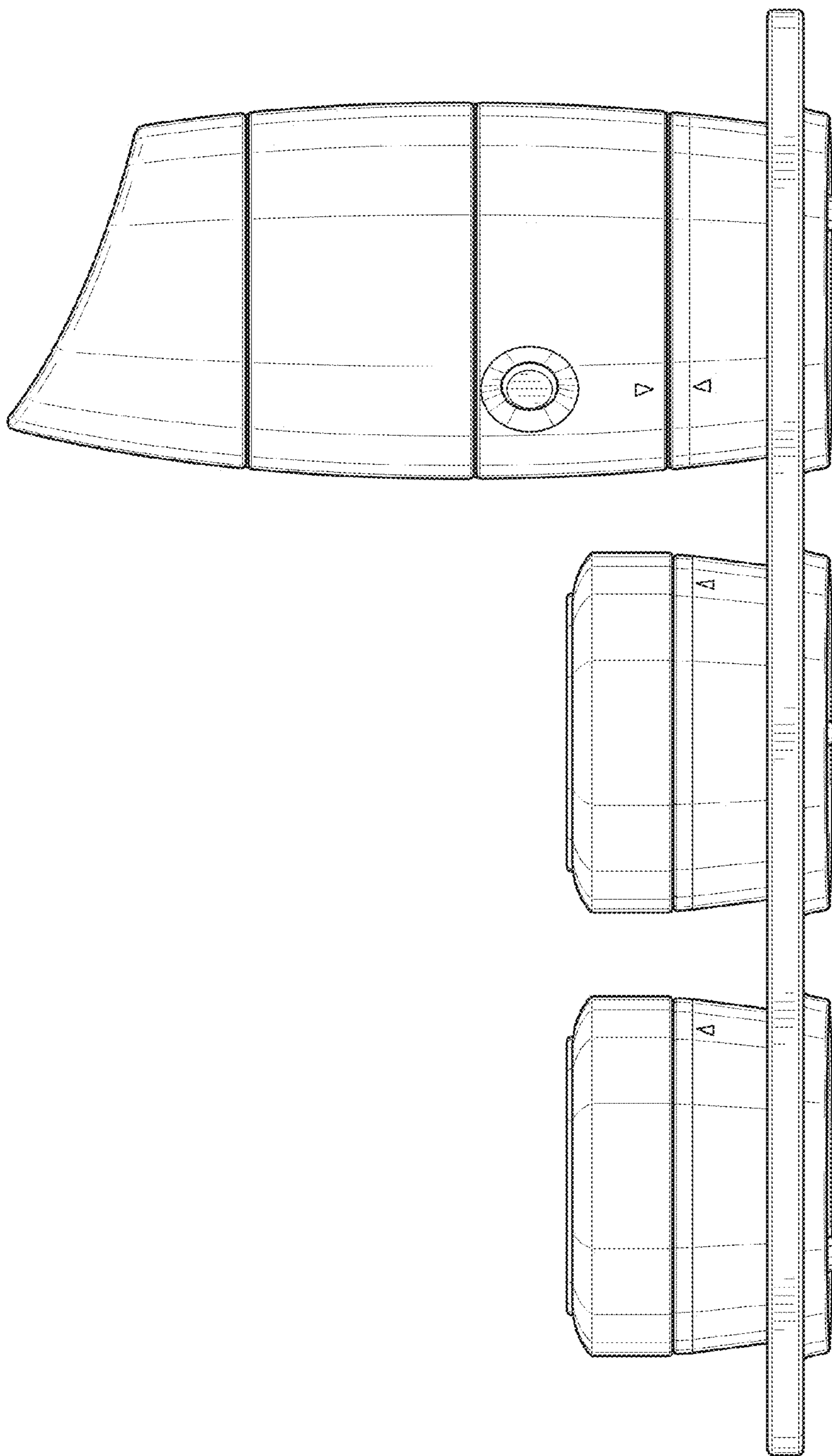


FIG. 3

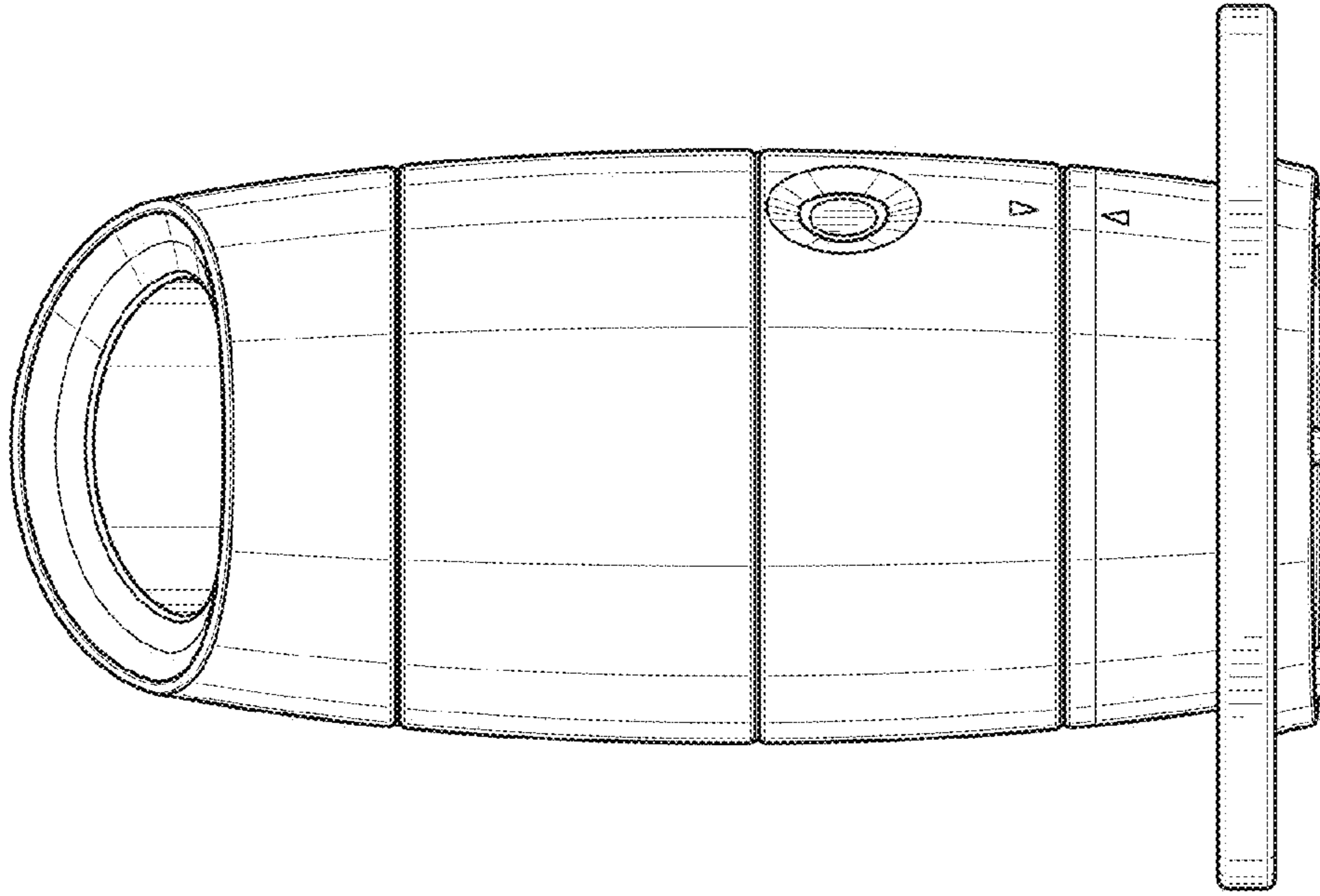


FIG. 4

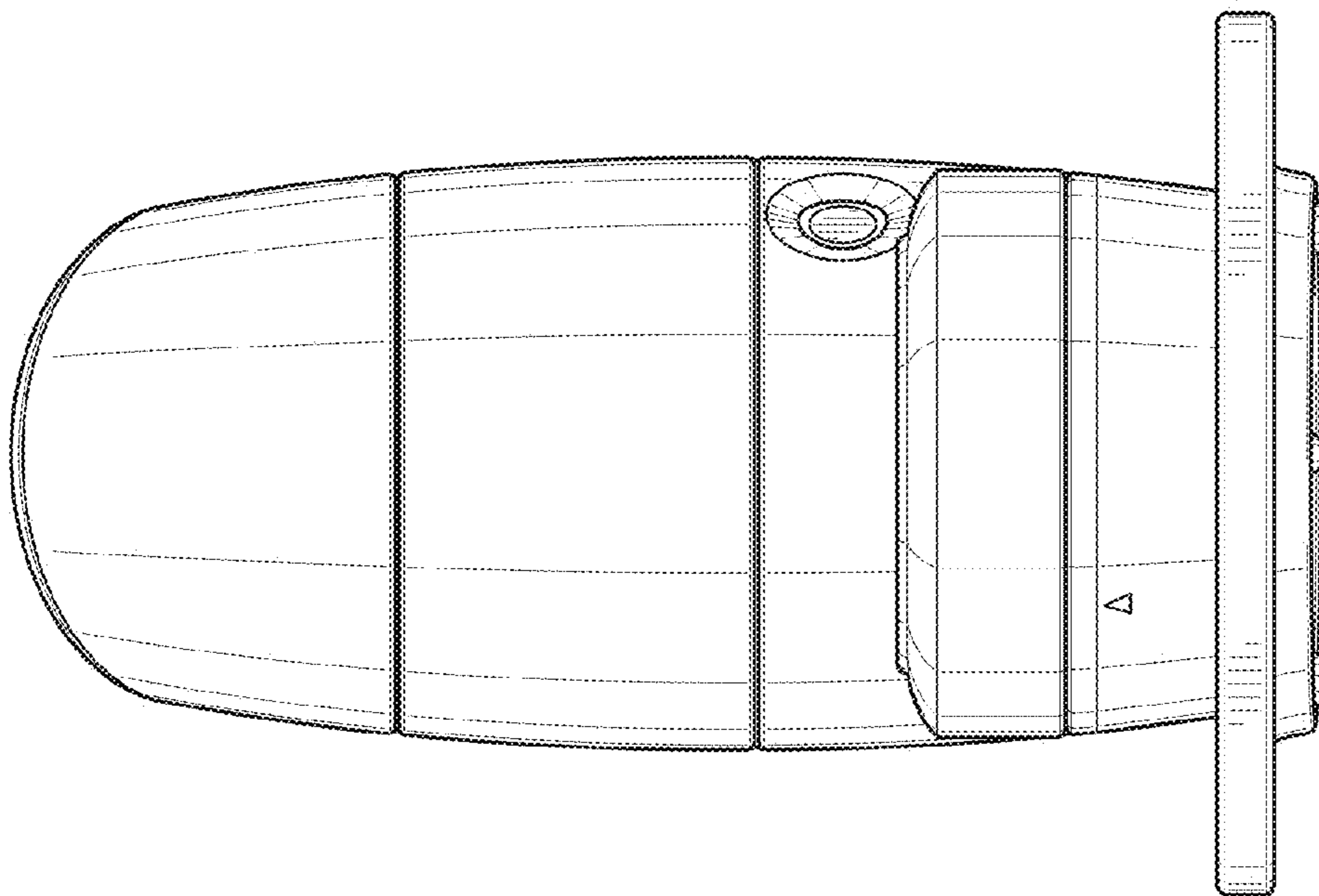


FIG. 5

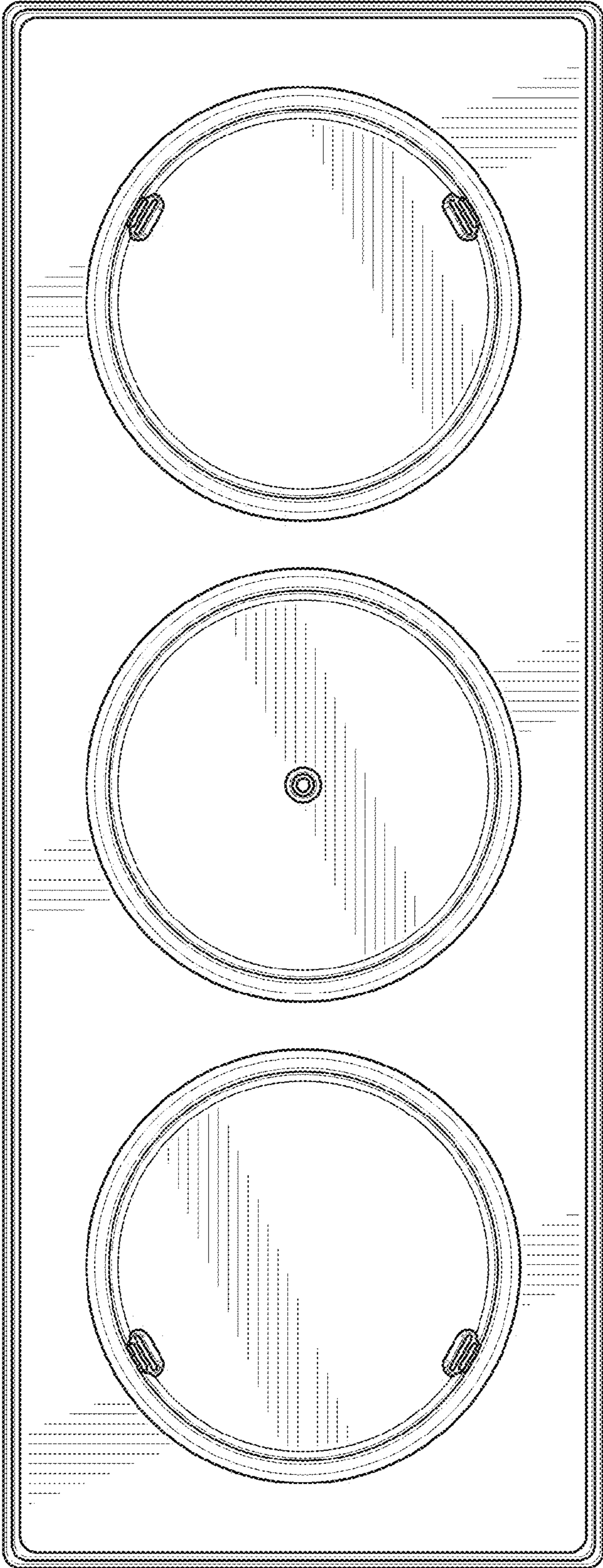


FIG. 6

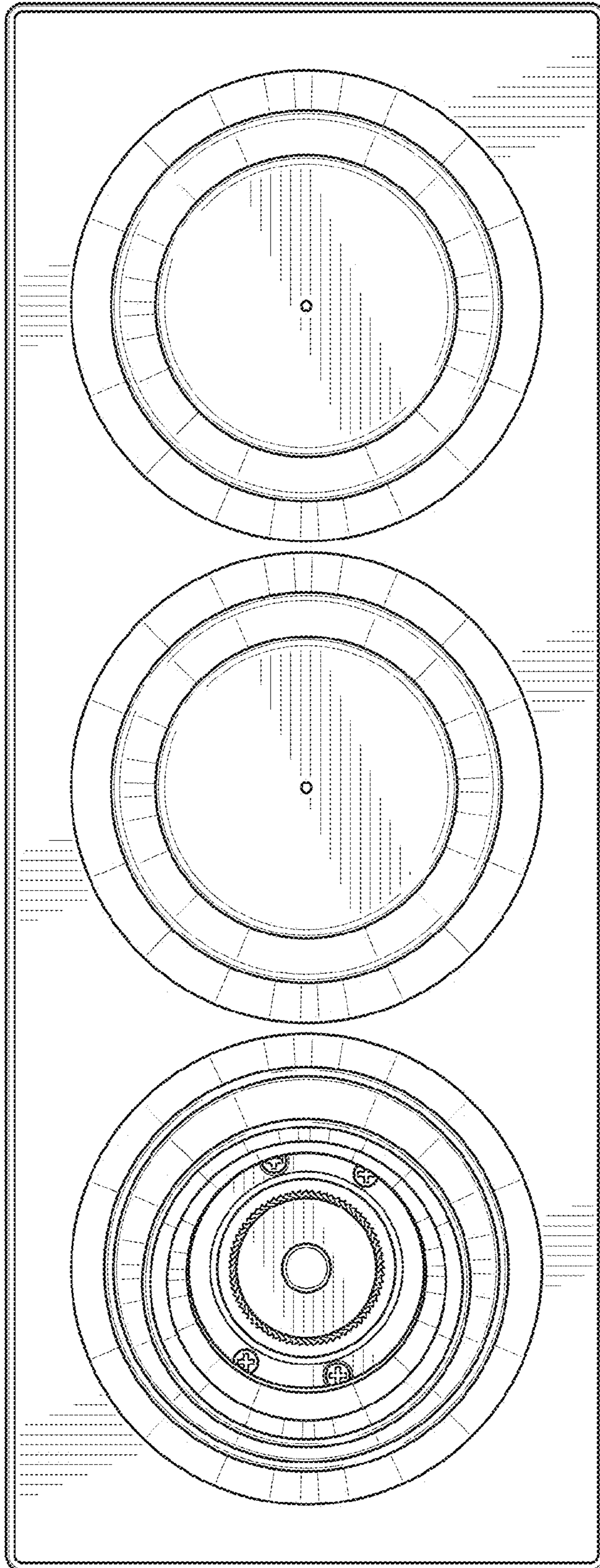


FIG. 7